



US00D758160S

(12) **United States Design Patent**
Pauze

(10) **Patent No.:** **US D758,160 S**
(45) **Date of Patent:** **** Jun. 7, 2016**

- (54) **DRYWALL TOOL**
- (71) Applicant: **Adam Pauze**, Aurora (CA)
- (72) Inventor: **Adam Pauze**, Aurora (CA)
- (**) Term: **14 Years**
- (21) Appl. No.: **29/512,544**
- (22) Filed: **Dec. 19, 2014**

Related U.S. Application Data

- (63) Continuation of application No. 13/489,813, filed on Jun. 6, 2012.
- (51) **LOC (10) Cl.** **08-03**
- (52) **U.S. Cl.**
USPC **D8/98**
- (58) **Field of Classification Search**
USPC D8/14, 98, 99, 105, 51; 10/62
CPC B44C 7/08; B26B 29/06; B26B 11/08;
B26B 11/00
See application file for complete search history.

References Cited

U.S. PATENT DOCUMENTS

2,473,189	A	6/1949	Baker	
2,952,025	A *	9/1960	Johnson	B26B 29/06 30/123
4,296,554	A	10/1981	Hammerstrom	
4,756,085	A *	7/1988	Lebessis	B44C 7/08 30/228
4,827,622	A	5/1989	Makar	
4,976,037	A	12/1990	Hines	
D321,637	S *	11/1991	Chan	D10/72
5,426,802	A *	6/1995	Greenwood	B26B 29/06 7/163
5,430,952	A	7/1995	Betts	
5,459,647	A *	10/1995	Betts	B26B 11/008 362/109
D394,792	S *	6/1998	Bourque	D10/62

5,768,797	A	6/1998	Trevino	
D402,525	S *	12/1998	Hsu	D10/62
5,842,284	A	12/1998	Goldman	
D420,560	S *	2/2000	Hepworth	D8/98
6,467,174	B1	10/2002	Kotori	
6,497,050	B1	12/2002	Ricalde	
6,612,035	B2	9/2003	Brown et al.	
6,880,260	B2	4/2005	Baida	
6,912,799	B1	7/2005	Smith	
7,269,913	B2	9/2007	Holevas	
7,412,794	B2	8/2008	Smith	
D630,082	S *	1/2011	Bourque	D10/72
2003/0066137	A1	4/2003	Johnson et al.	
2008/0250664	A1	10/2008	Wise	
2008/0256816	A1	10/2008	Cosentino	
2009/0249636	A1	10/2009	Reda et al.	

* cited by examiner

Primary Examiner — Phillip S Hyder

(74) *Attorney, Agent, or Firm* — Sand & Sebolt

(57) **CLAIM**

The ornamental design for a drywall tool, as shown.

DESCRIPTION

FIG. 1 is a front perspective view of a drywall tool in accordance with my design; where the figure shows a top end of the drywall tool;

FIG. 2 is a rear perspective view thereof showing the top end of the drywall tool;

FIG. 3 is a rear perspective view showing a bottom end of the drywall tool;

FIG. 4 is a front perspective view showing a bottom end of the drywall tool;

FIG. 5 is a right side view thereof;

FIG. 6 is a left side view thereof;

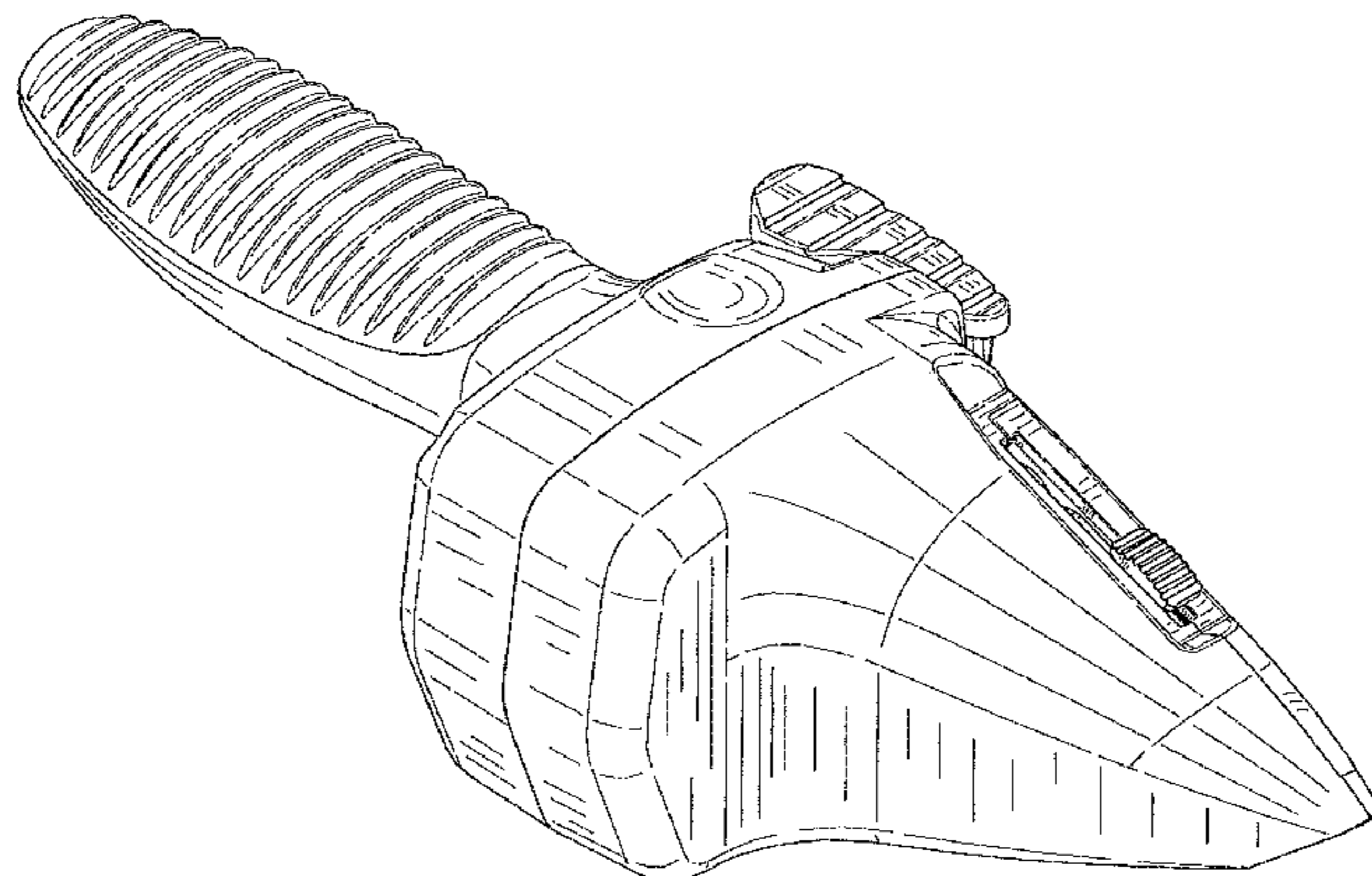
FIG. 7 is a top view thereof;

FIG. 8 is a bottom view thereof;

FIG. 9 is a rear view thereof; and,

FIG. 10 is a front view thereof.

1 Claim, 9 Drawing Sheets



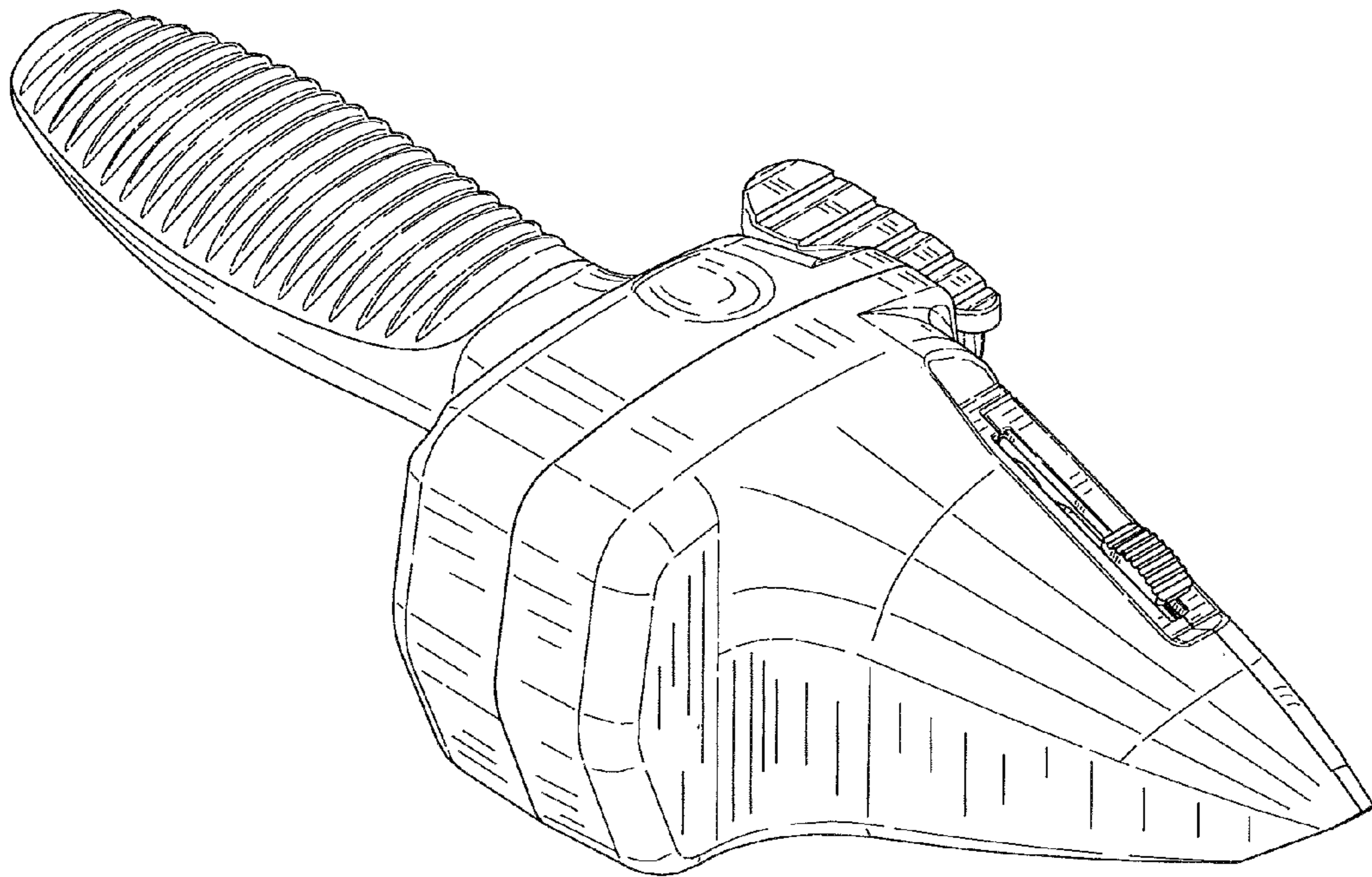


FIG. 1

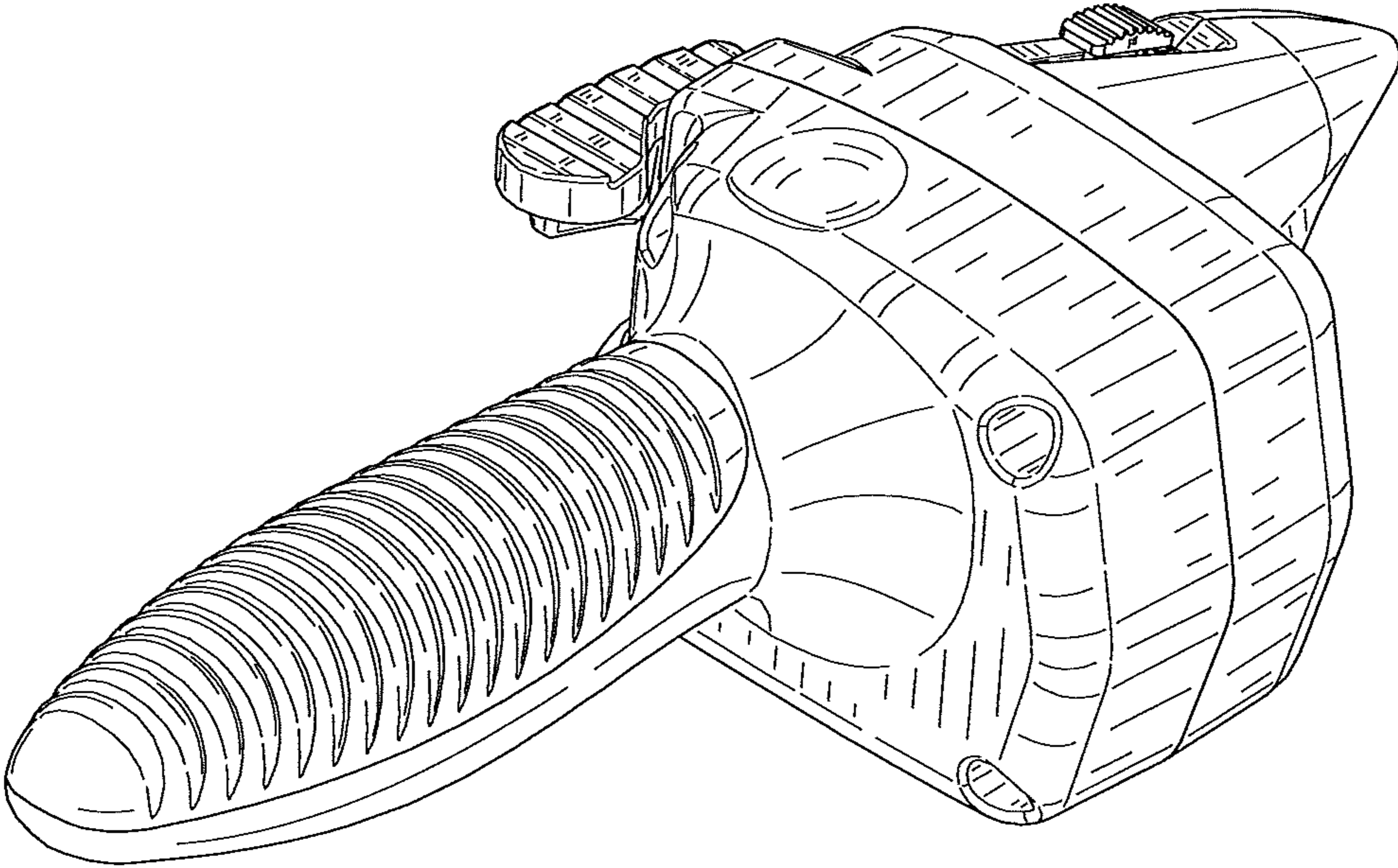


FIG. 2

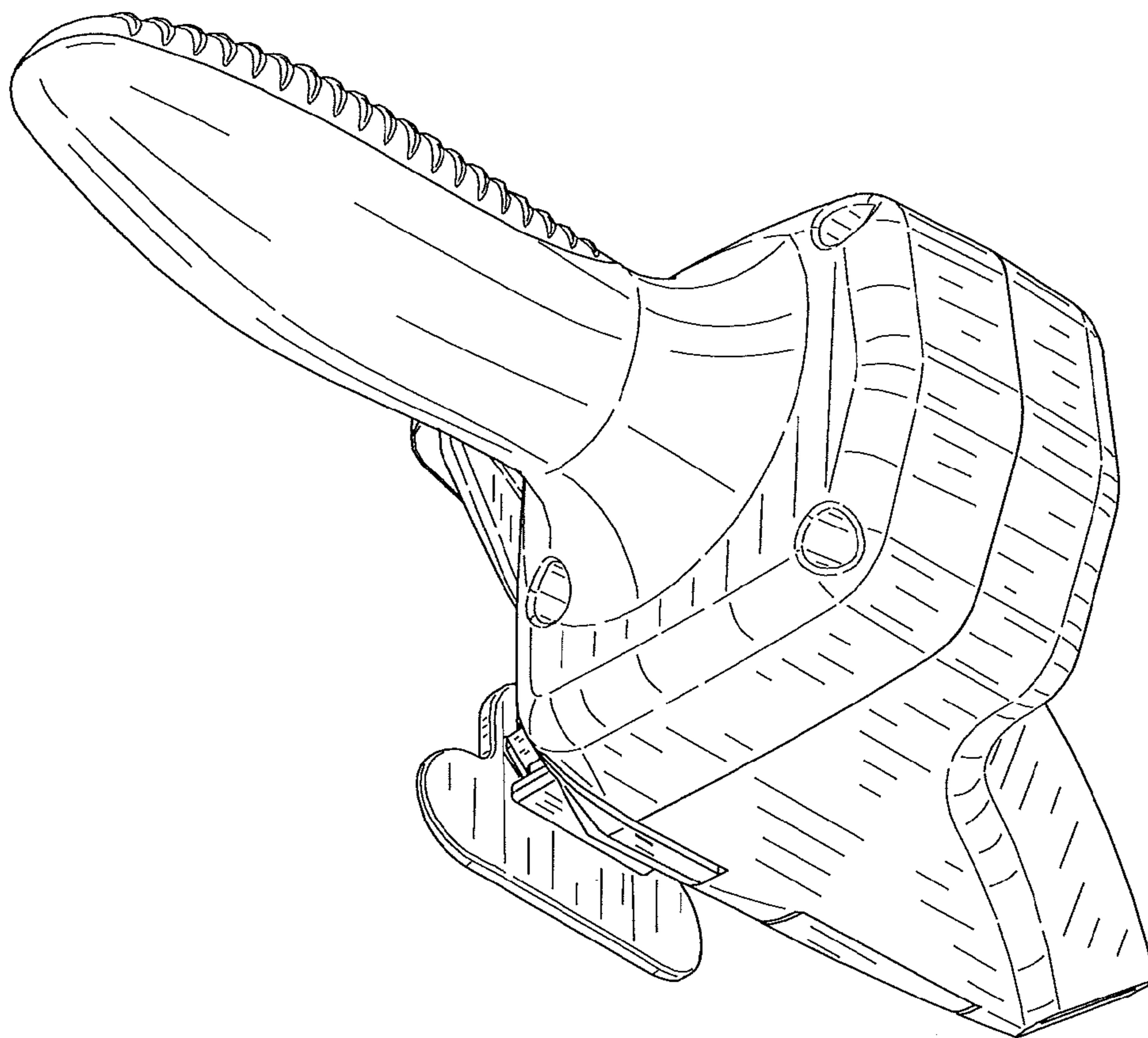


FIG. 3

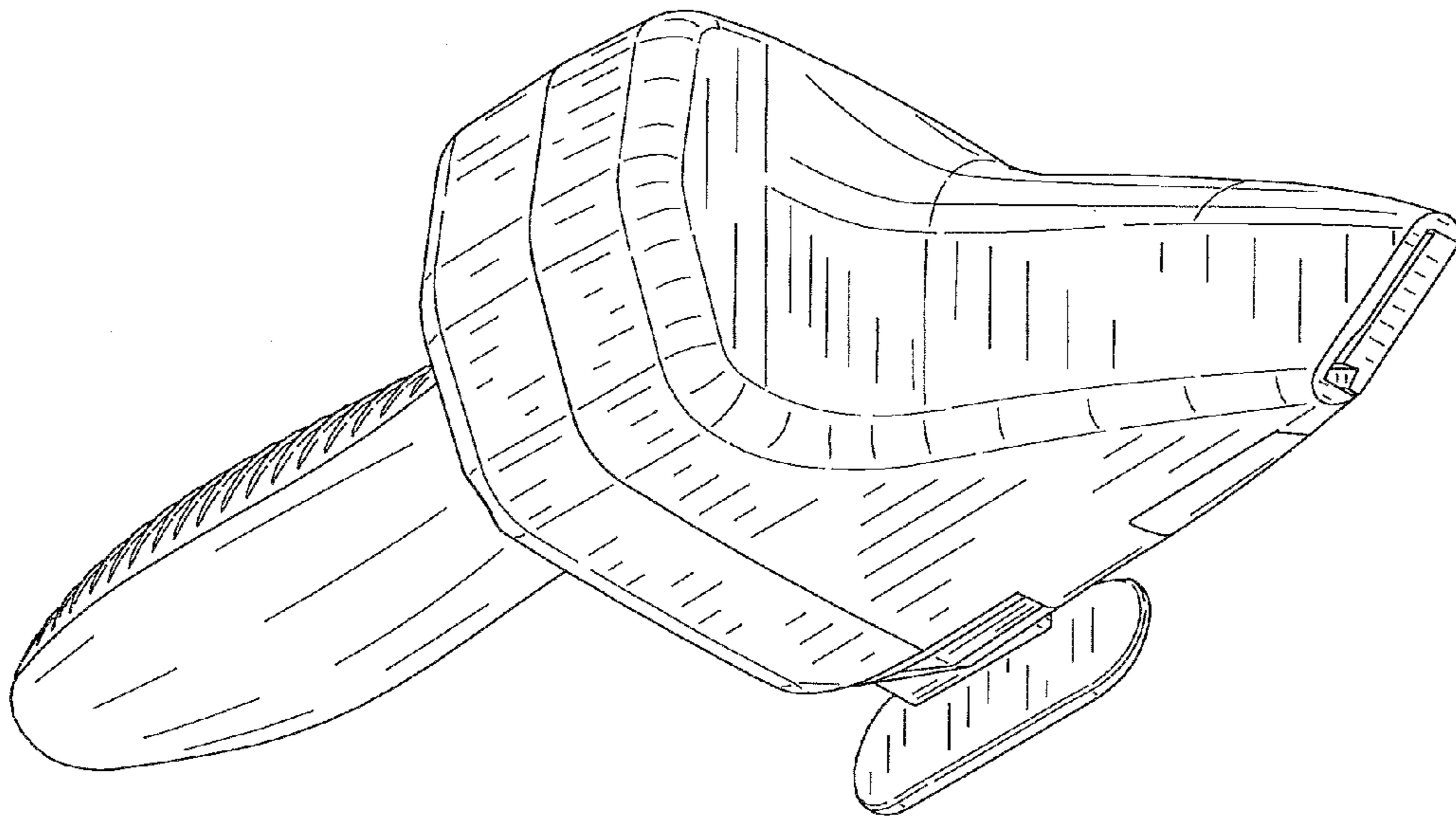


FIG. 4

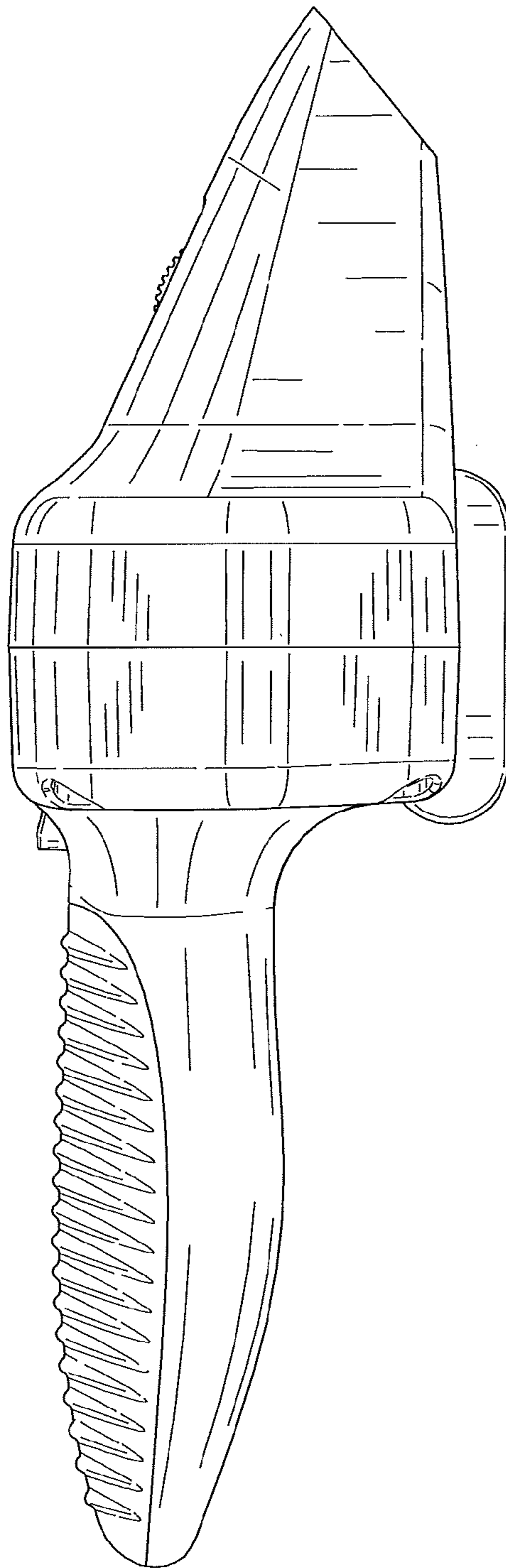


FIG. 5

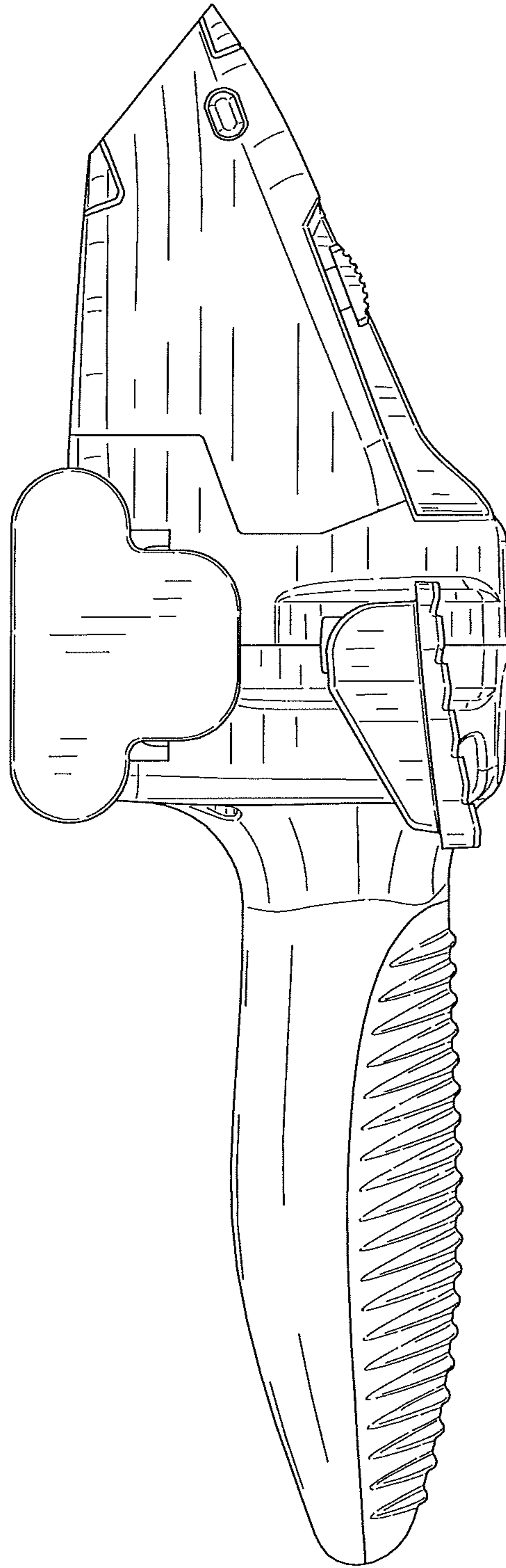


FIG. 6

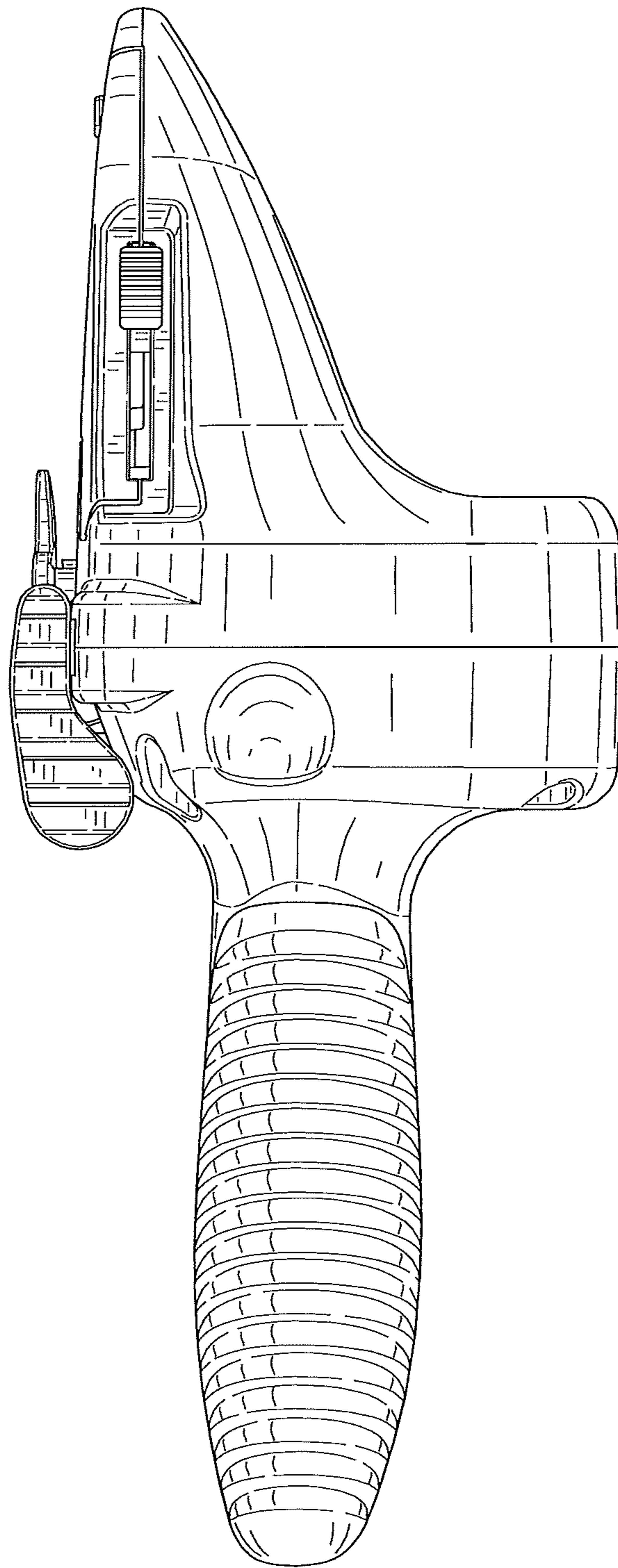


FIG. 7

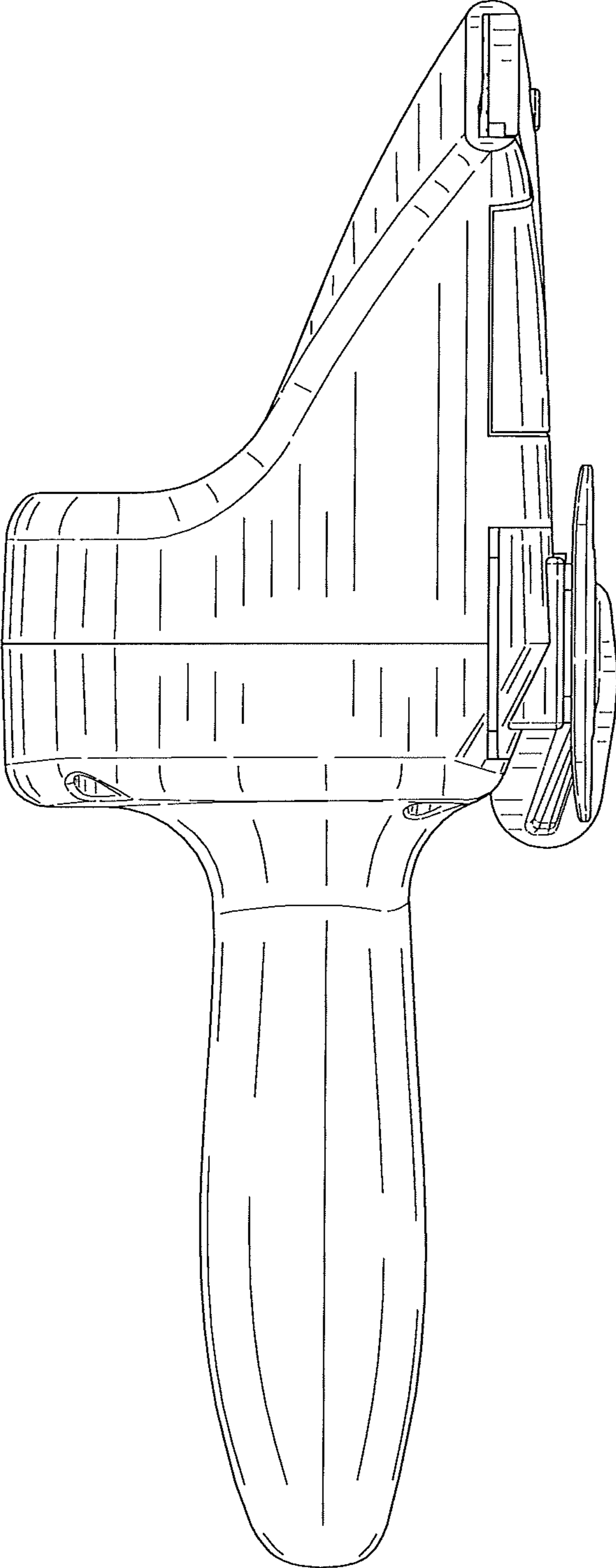


FIG. 8

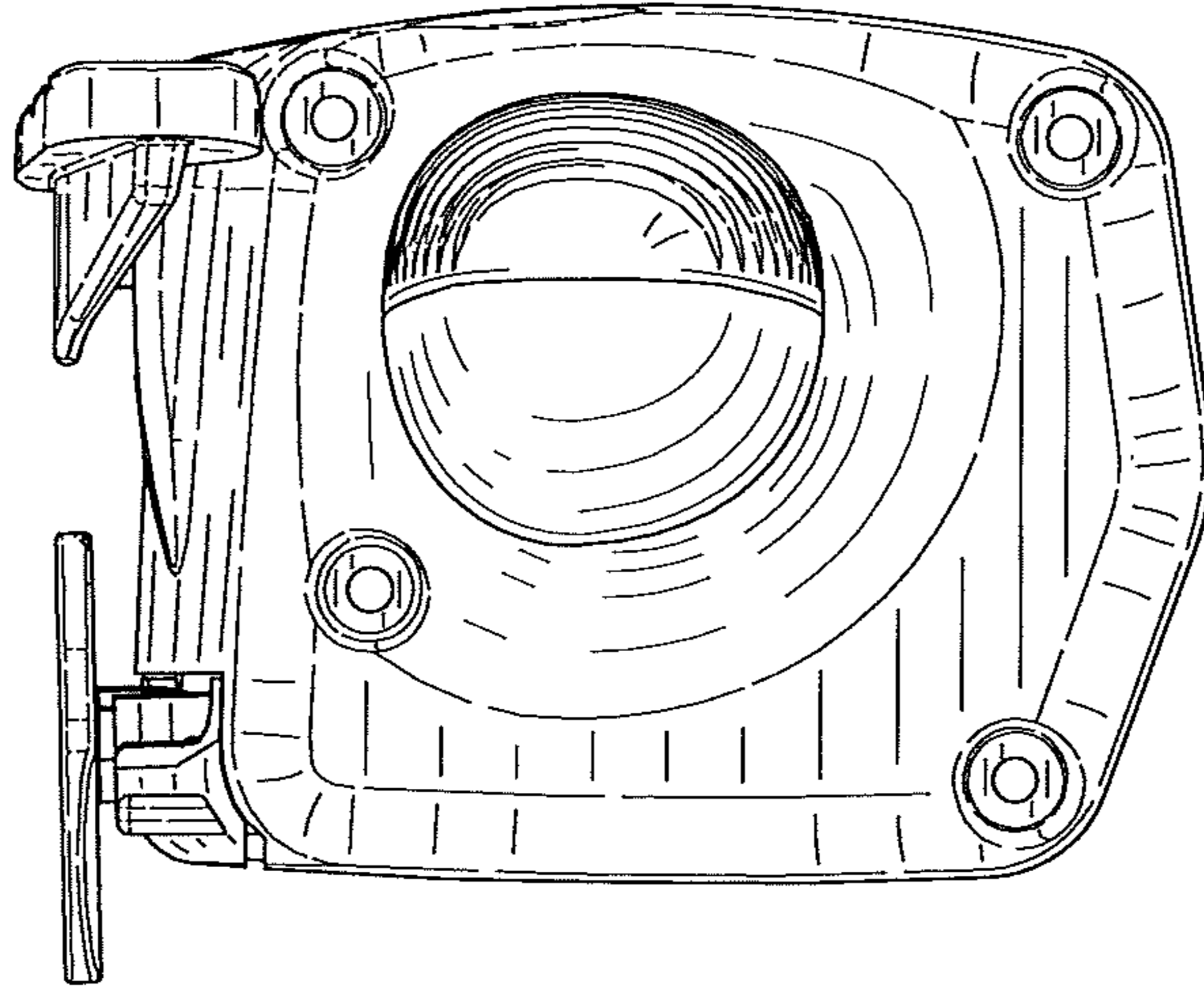


FIG. 9

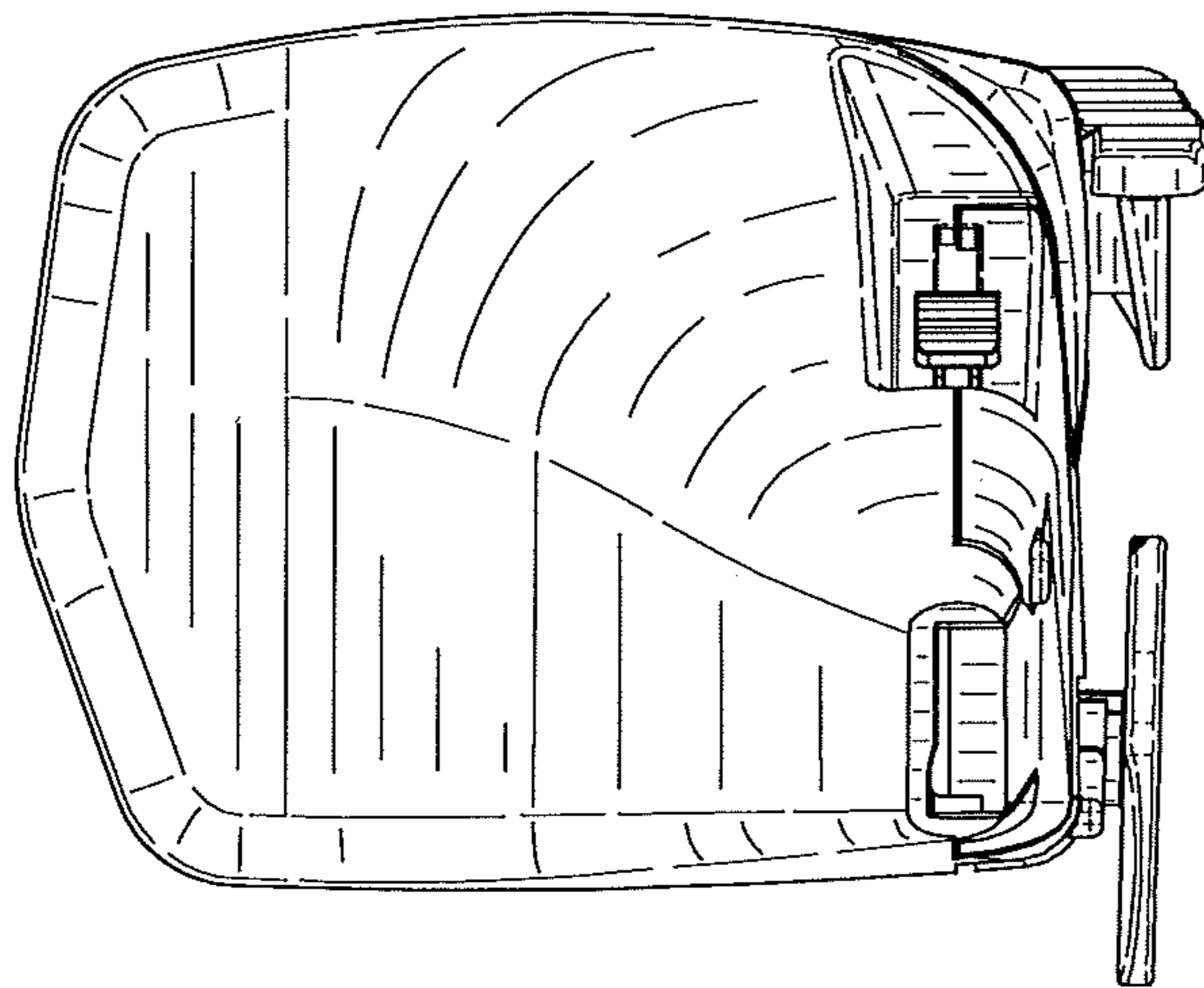


FIG. 10