



US00D758159S

(12) **United States Design Patent**  
**Valenti**

(10) **Patent No.:** **US D758,159 S**  
(45) **Date of Patent:** **\*\* Jun. 7, 2016**

(54) **WIRE STRIPPER**

(71) Applicant: **Thomas J. Valenti**, North Kinstown, RI (US)

(72) Inventor: **Thomas J. Valenti**, North Kinstown, RI (US)

(\*\*) Term: **14 Years**

(21) Appl. No.: **29/507,882**

(22) Filed: **Oct. 31, 2014**

(51) **LOC (10) Cl.** ..... **08-03**

(52) **U.S. Cl.**  
USPC ..... **D8/98**

(58) **Field of Classification Search**

USPC ..... D8/14, 51, 98  
CPC ..... H02G 1/12; H02G 1/1224; H02G 1/1292;  
H02G 1/1201; H02G 1/1204; H02G 1/1207  
See application file for complete search history.

(56) **References Cited**

**U.S. PATENT DOCUMENTS**

4,130,031	A *	12/1978	Wiener	.....	H02G 1/1224 30/287
4,829,671	A *	5/1989	Cheng	.....	H02G 1/1224 30/90.1
5,036,734	A *	8/1991	Morrow	.....	H02G 1/1224 30/90.1
5,325,587	A *	7/1994	Steiner	.....	H02G 1/1224 30/90.1
D359,214	S *	6/1995	Carlson, Jr.	.....	D8/51
5,435,029	A *	7/1995	Carlson, Jr.	.....	H02G 1/1292 140/123
6,058,303	A *	5/2000	Åstrom	.....	H04Q 3/0029 379/221.09
6,253,641	B1 *	7/2001	Tarpill	.....	H02G 1/1224 30/90.6
6,505,399	B2 *	1/2003	Lo	.....	H01R 9/035 29/825
7,003,883	B2 *	2/2006	Tapper	.....	H02G 1/1224 30/109
7,216,431	B2 *	5/2007	Holliday	.....	H02G 1/1224 30/250

**OTHER PUBLICATIONS**

Ideal Industries Ideal Wire Stripper (3½ Inch), Model: 45-321 6KJU1 available at <https://shopping.yahoo.com/910046785-ideal-45-321-wire-stripper-coax-rg659-2-level-6kju1-6kju1/>; on sale prior to Sep. 25, 2014 (1 page).

Wire and Cable Stripper manufactured by Pittsburgh, Item #96158 available at <http://www.harborfreight.com/wire-and-cable-stripper-96158.html>; on sale prior to Sep. 25, 2014 (1 page).

Rotary Cable Stripper manufactured by Pittsburgh, Item #98953 available at <http://www.harborfreight.com/rotary-coaxial-cable-stripper-98953.html>; on sale prior to Sep. 25, 2014 (1 page).

Phoenix Contact Cyclops available at <http://www.mrostop.com/1204481-phoenix-contact-cyclops.html>; on sale prior to Sep. 25, 2014 (4 pages).

Phoenix Contact Wirefox-D 11 available at <http://www.mrostop.com/1212160-phoenix-contact-wirefox-d-11.html>; on sale prior to Sep. 25, 2014 (4 pages).

\* cited by examiner

*Primary Examiner* — Phillip S Hyder

(74) *Attorney, Agent, or Firm* — McDonnell Boehnen Hulbert & Berghoff LLP

(57) **CLAIM**

The ornamental design for wire stripper, as shown and described.

**DESCRIPTION**

FIG. 1 is a perspective view of a wire stripper according to my new design;

FIG. 2 is a front side elevation view thereof;

FIG. 3 is a rear side elevation view thereof;

FIG. 4 is a bottom plan view thereof;

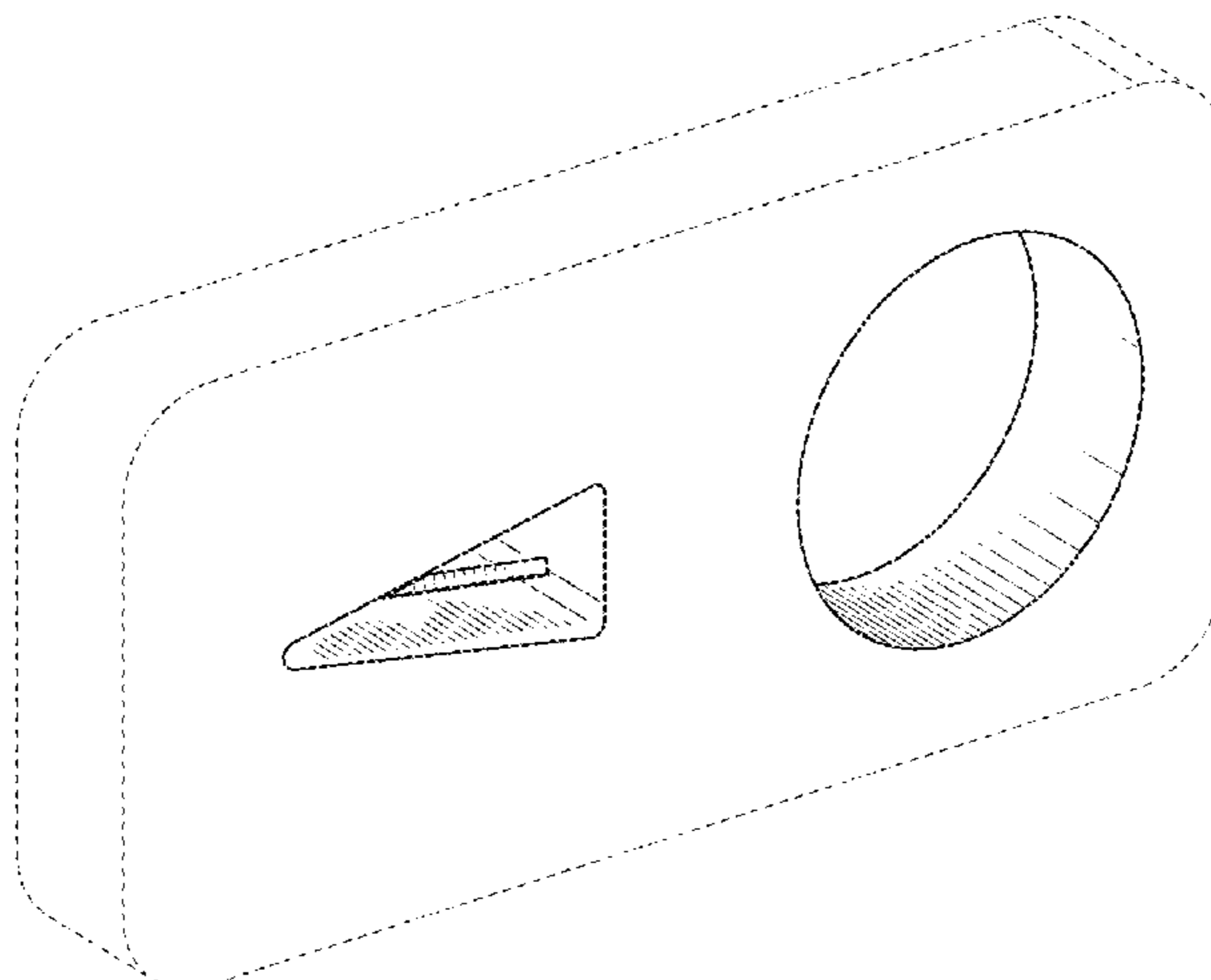
FIG. 5 is a top plan view thereof;

FIG. 6 is a right side elevation view thereof; and,

FIG. 7 is a left side elevation view thereof.

The broken lines depict portions of the wire stripper in which the design is embodied that are not considered part of the claimed design.

**1 Claim, 3 Drawing Sheets**



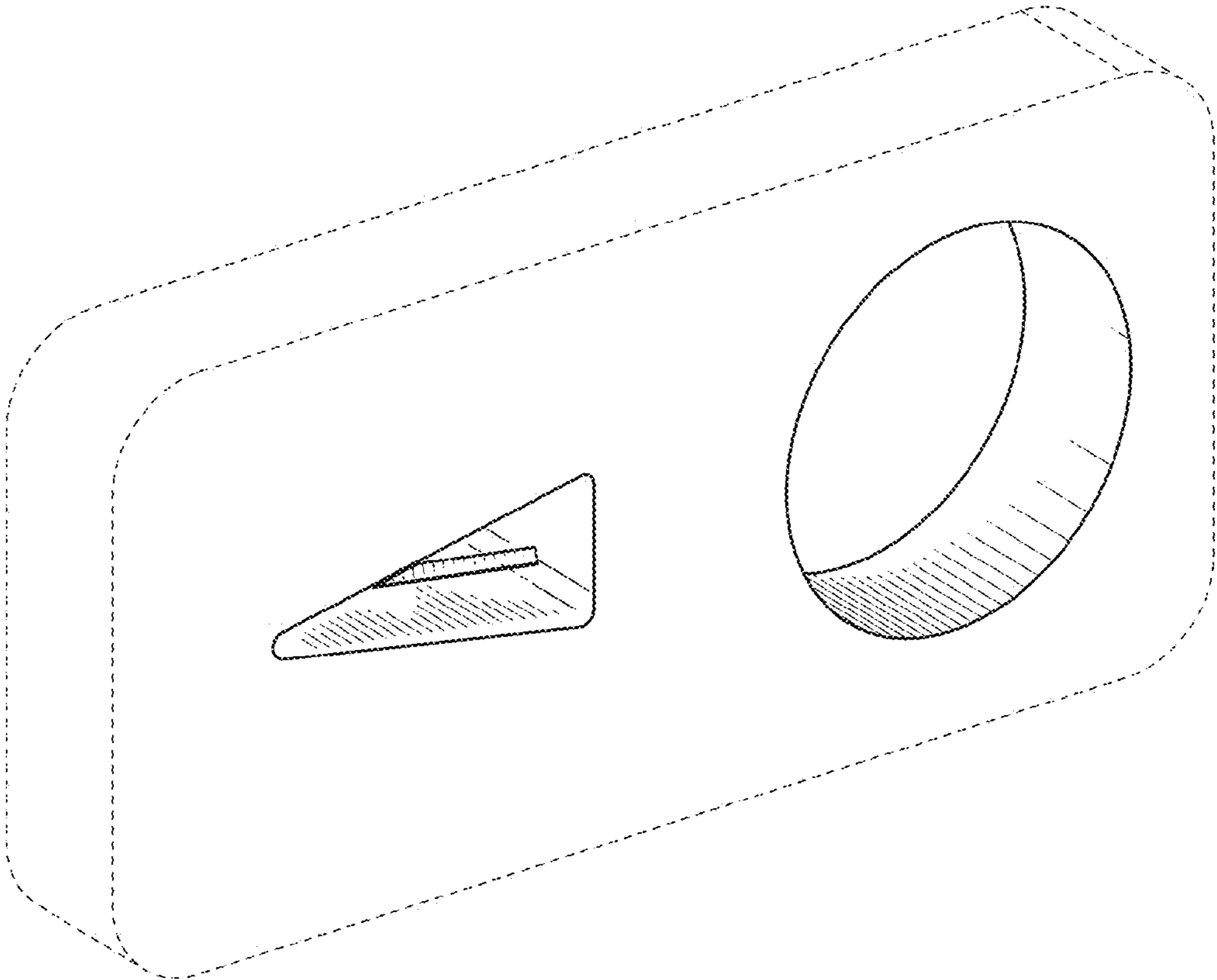


FIG.1

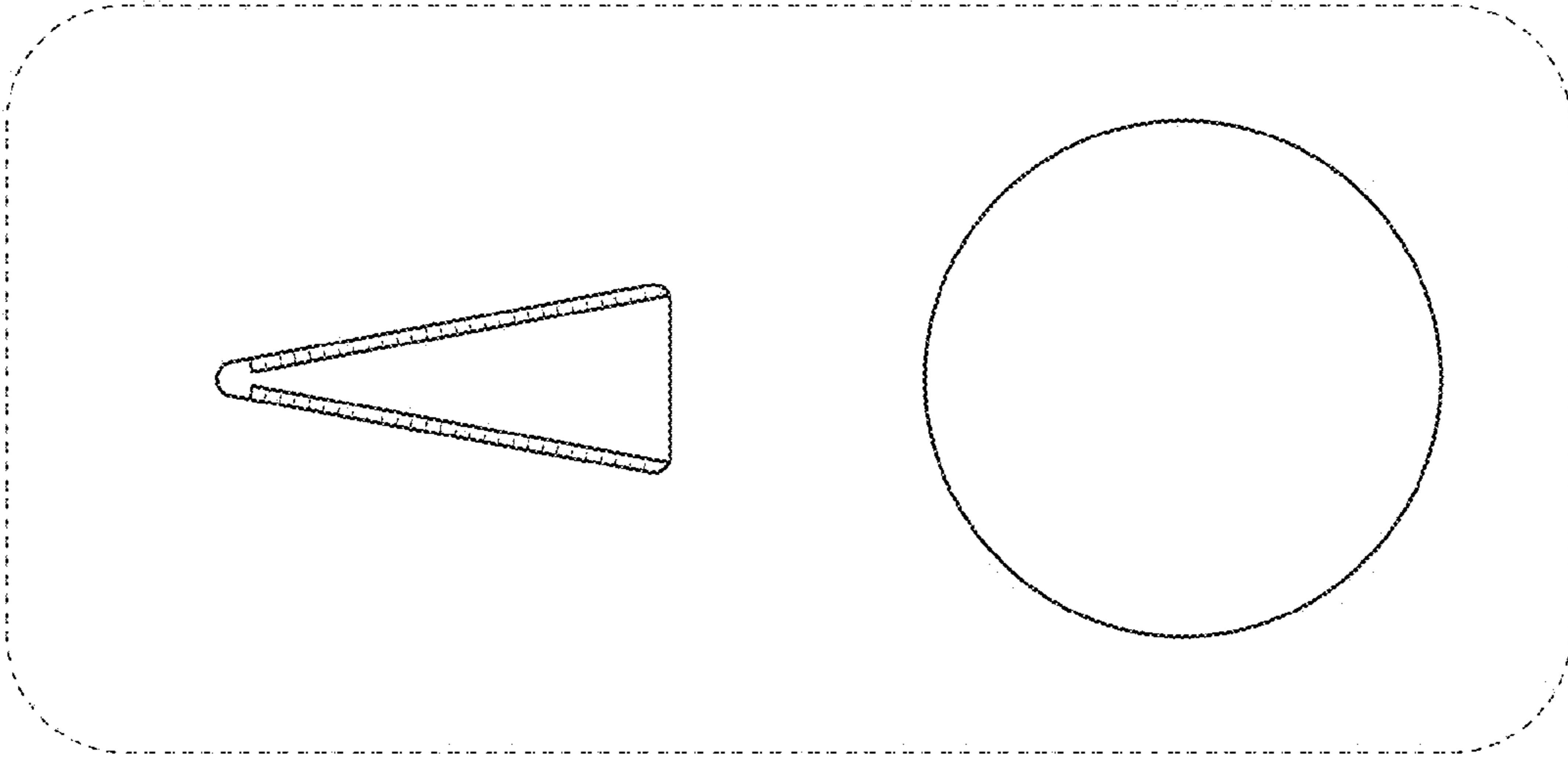


FIG. 2

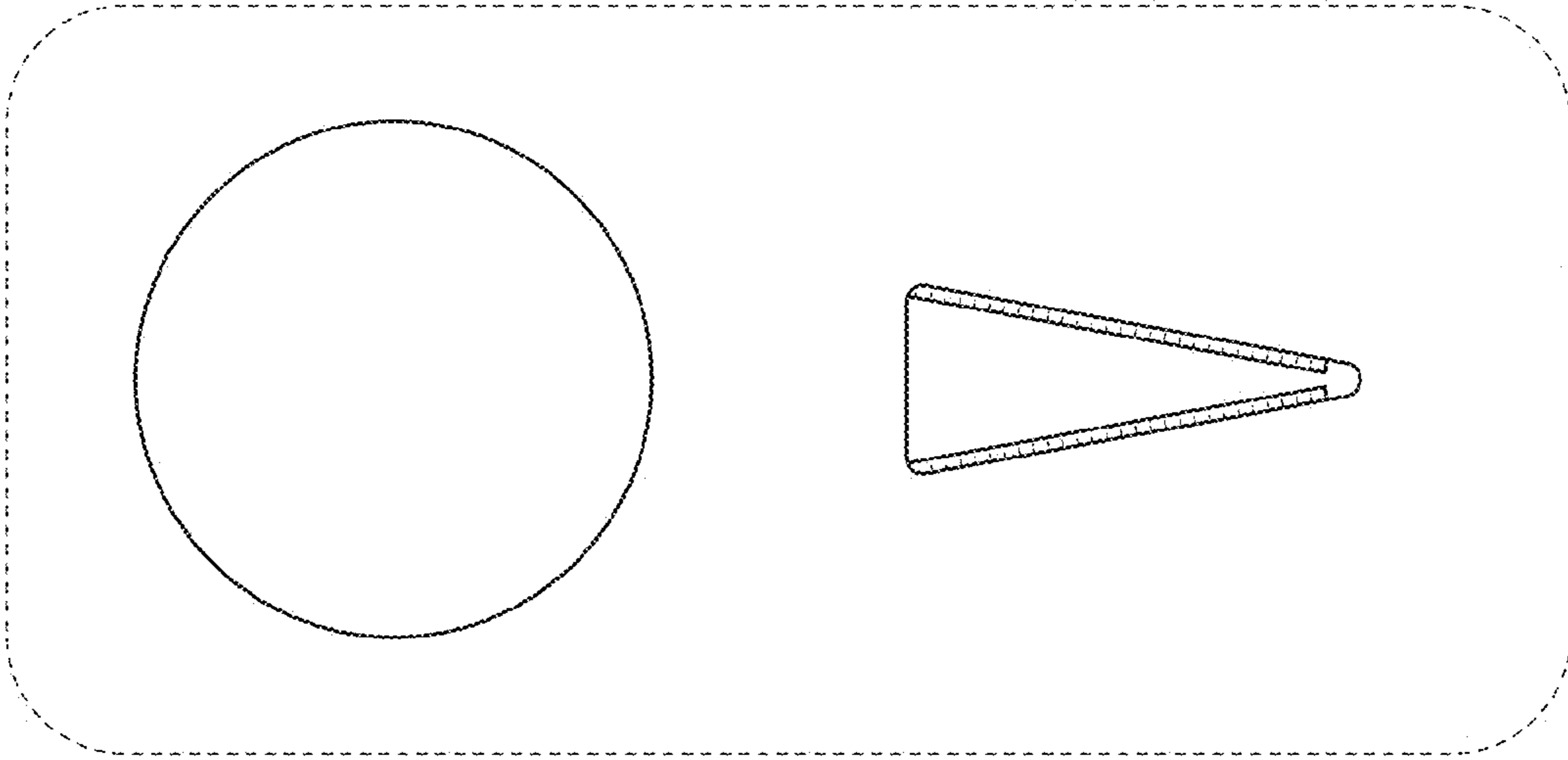


FIG. 3

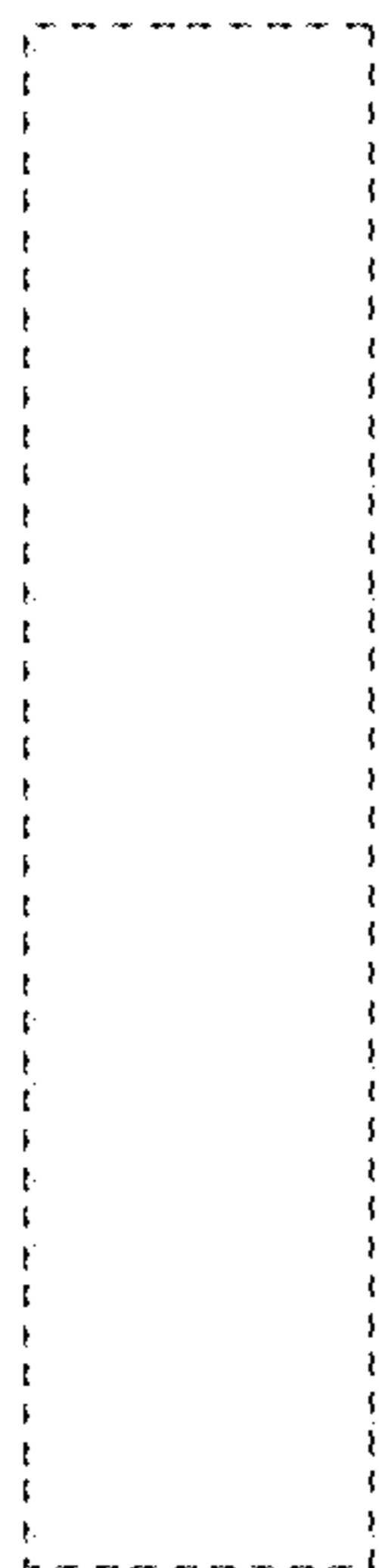


FIG. 4

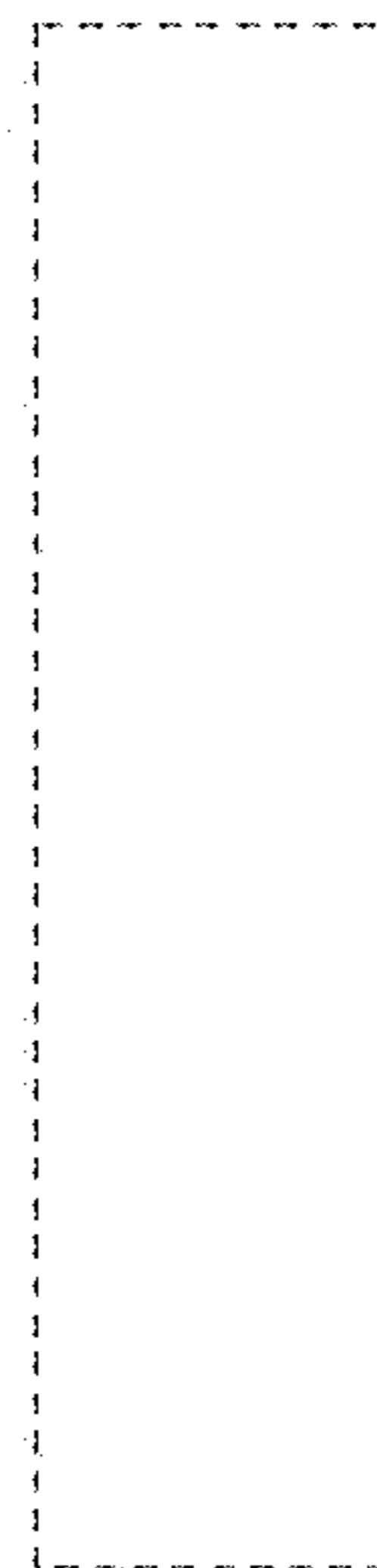


FIG. 5

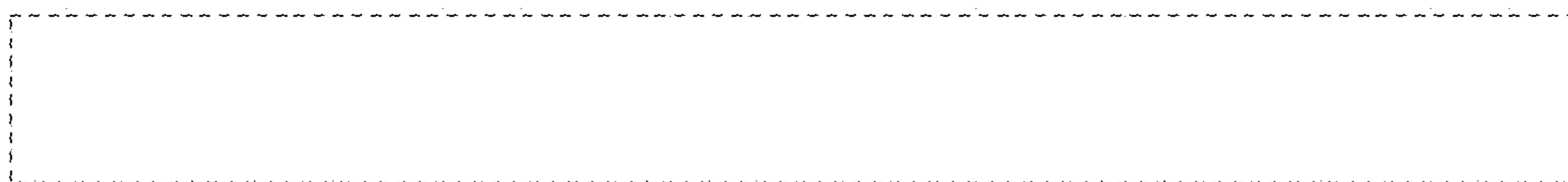


FIG. 6

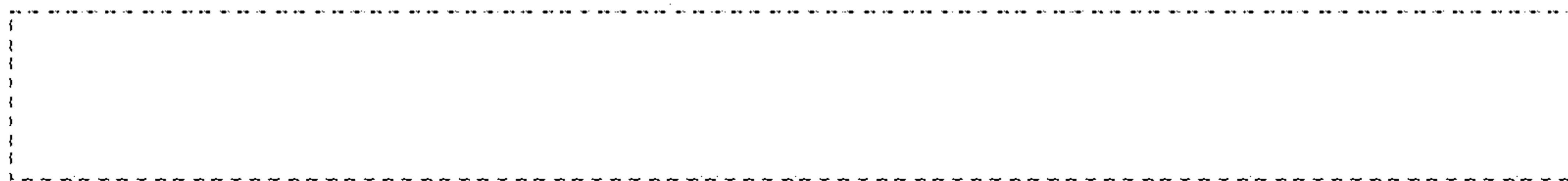


FIG. 7