



US00D758157S

(12) **United States Design Patent**  
**Chen**

(10) **Patent No.:** **US D758,157 S**  
(45) **Date of Patent:** **\*\* Jun. 7, 2016**

(54) **POWER TOOL**  
(71) Applicant: **TRANMAX MACHINERY CO., LTD.**, Taichung (TW)  
(72) Inventor: **Hsin-Chi Chen**, Taichung (TW)  
(73) Assignee: **TRANMAX MACHINERY CO., LTD.**, Taichung (TW)  
(\*\*) Term: **14 Years**

D476,210	S	*	6/2003	Chen	.....	D8/68
D477,512	S	*	7/2003	Liu et al.	.....	D8/68
D493,085	S	*	7/2004	Copeland et al.	.....	D8/68
D496,243	S	*	9/2004	Huang	.....	D8/68
D497,529	S	*	10/2004	Price	.....	D8/68
D497,787	S	*	11/2004	Liao	.....	D8/68
D504,299	S	*	4/2005	Leasure et al.	.....	D8/68
D507,732	S	*	7/2005	Nowak et al.	.....	D8/68
D519,807	S	*	5/2006	Chen	.....	D8/68
D521,339	S	*	5/2006	Chen	.....	D8/68
D590,226	S	*	4/2009	Chu	.....	D8/68
7,987,919	B2	*	8/2011	Paprocki	.....	173/2
D664,413	S	*	7/2012	Steinfels	.....	D8/68
2002/0152848	A1	*	10/2002	Johnson	.....	81/465

(21) Appl. No.: **29/477,535**  
(22) Filed: **Dec. 23, 2013**  
(51) **LOC (10) Cl.** ..... **08-03**  
(52) **U.S. Cl.**  
USPC ..... **D8/68**  
(58) **Field of Classification Search**  
USPC ..... D8/61, 67, 68; 81/57.4, 489; 173/48, 173/109, 170, 178, 217; 362/119; 408/124, 408/125; 475/149  
CPC .... B62D 23/005; B62D 29/00; B62D 29/043; B62D 31/00; B62D 33/046; B62D 35/00; B62D 35/001; B60Q 1/0005  
See application file for complete search history.

\* cited by examiner

*Primary Examiner* — Philip S Hyder  
*Assistant Examiner* — Darlington Ly

(74) *Attorney, Agent, or Firm* — Muncy, Geissler, Olds & Lowe, P.C.

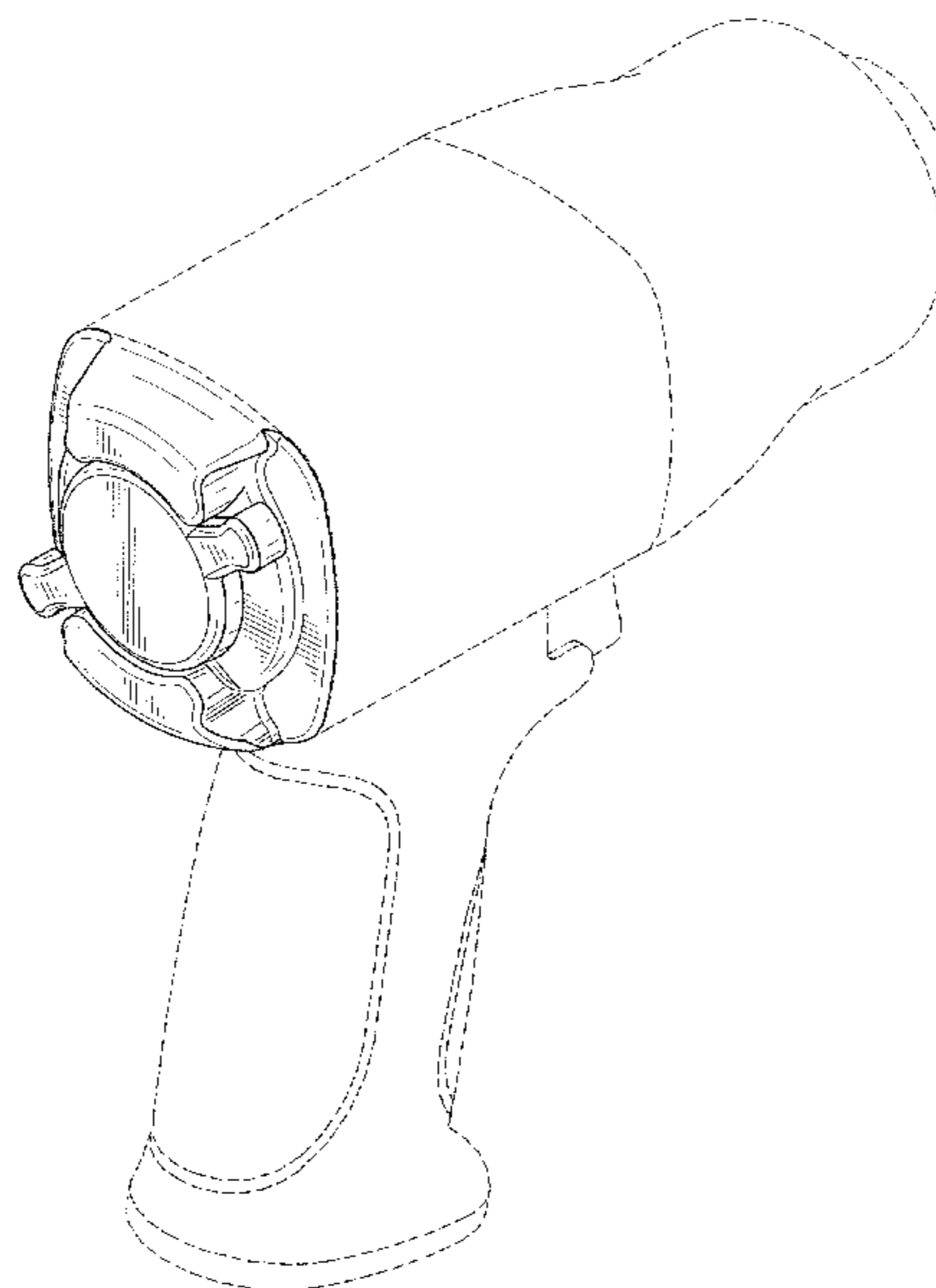
(57) **CLAIM**  
The ornamental design for a power tool, as shown and described.

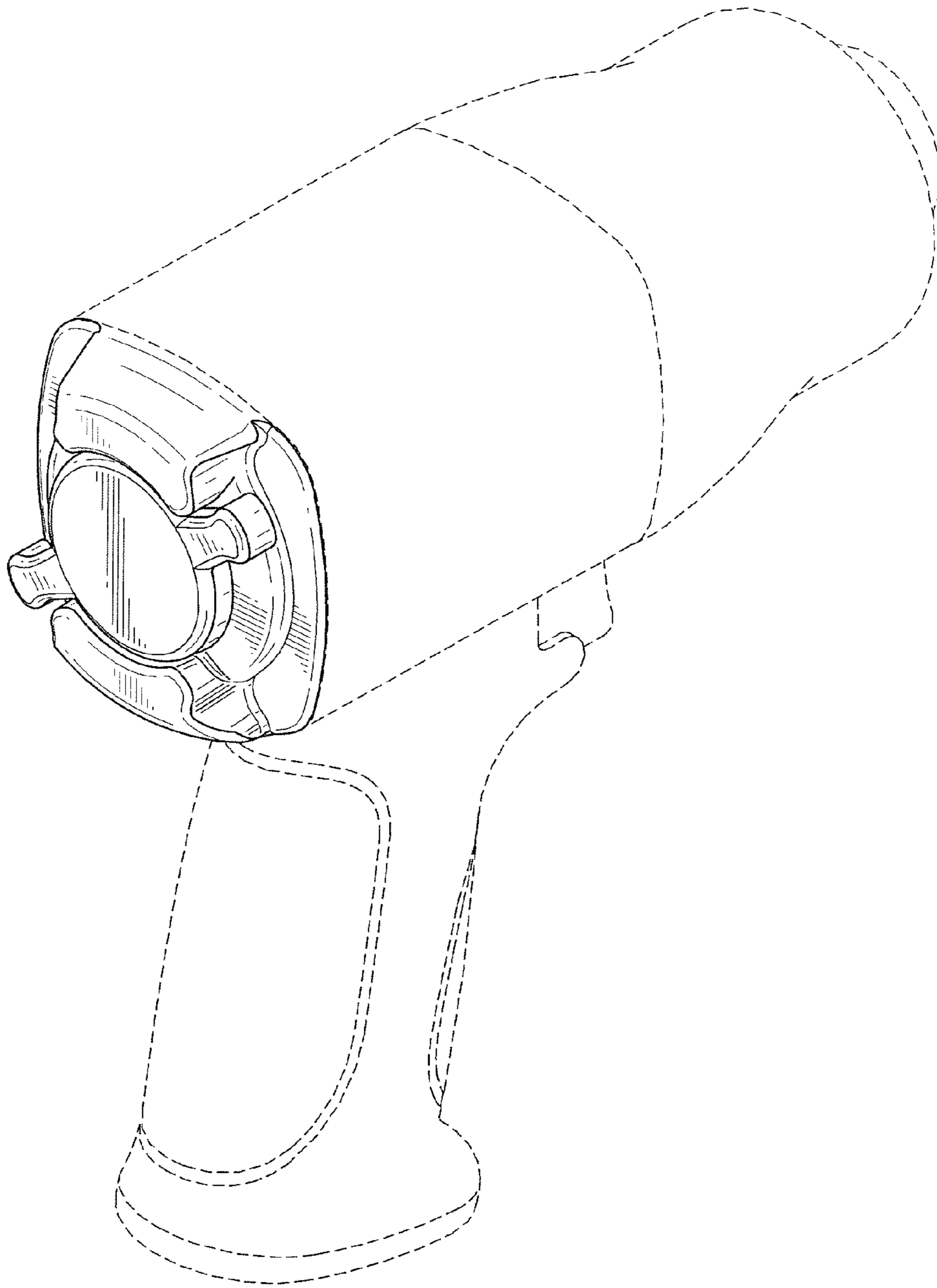
**DESCRIPTION**

FIG. 1 is a perspective view of a power tool, showing my new design;  
FIG. 2 is a front view thereof;  
FIG. 3 is a left side view thereof;  
FIG. 4 is a right side view thereof;  
FIG. 5 is a top plan view thereof;  
FIG. 6 is a bottom plan view thereof; and,  
FIG. 7 is a front view drawing thereof, showing the power tool in use, with the lever in an alternate position.  
The broken lines shown in the drawings illustrate portions of the power tool that form no part of the claimed design.

(56) **References Cited**  
U.S. PATENT DOCUMENTS  
D256,980 S \* 9/1980 Adams et al. .... D8/68  
D403,564 S \* 1/1999 Izumisawa ..... D8/68  
5,918,686 A \* 7/1999 Izumisawa ..... 173/20  
6,062,323 A \* 5/2000 Pusateri et al. .... 173/169  
D434,297 S \* 11/2000 Iritani et al. .... D8/68  
D436,818 S \* 1/2001 Izumisawa ..... D8/68  
D441,628 S \* 5/2001 Bass et al. .... D8/68  
D472,782 S \* 4/2003 Pusateri et al. .... D8/68

**1 Claim, 7 Drawing Sheets**





**FIG. 1**

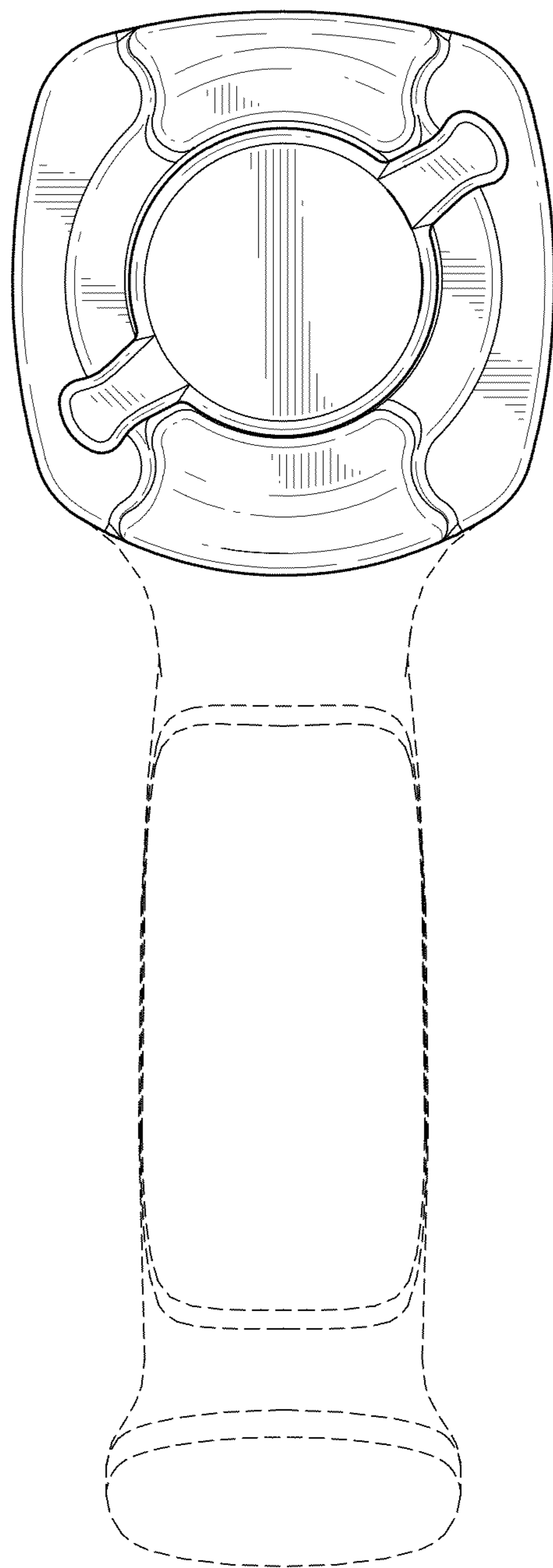


FIG. 2

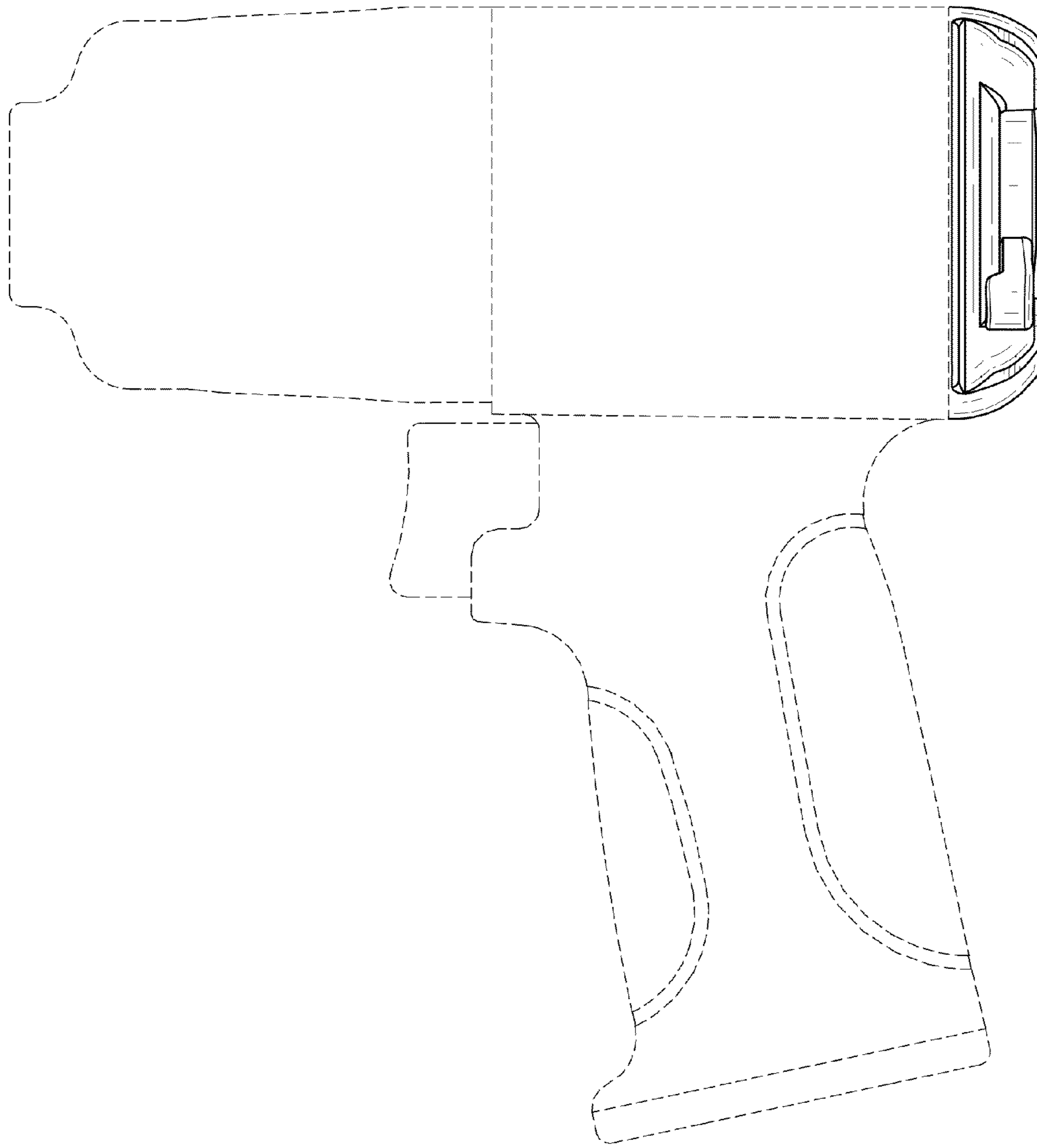


FIG. 3

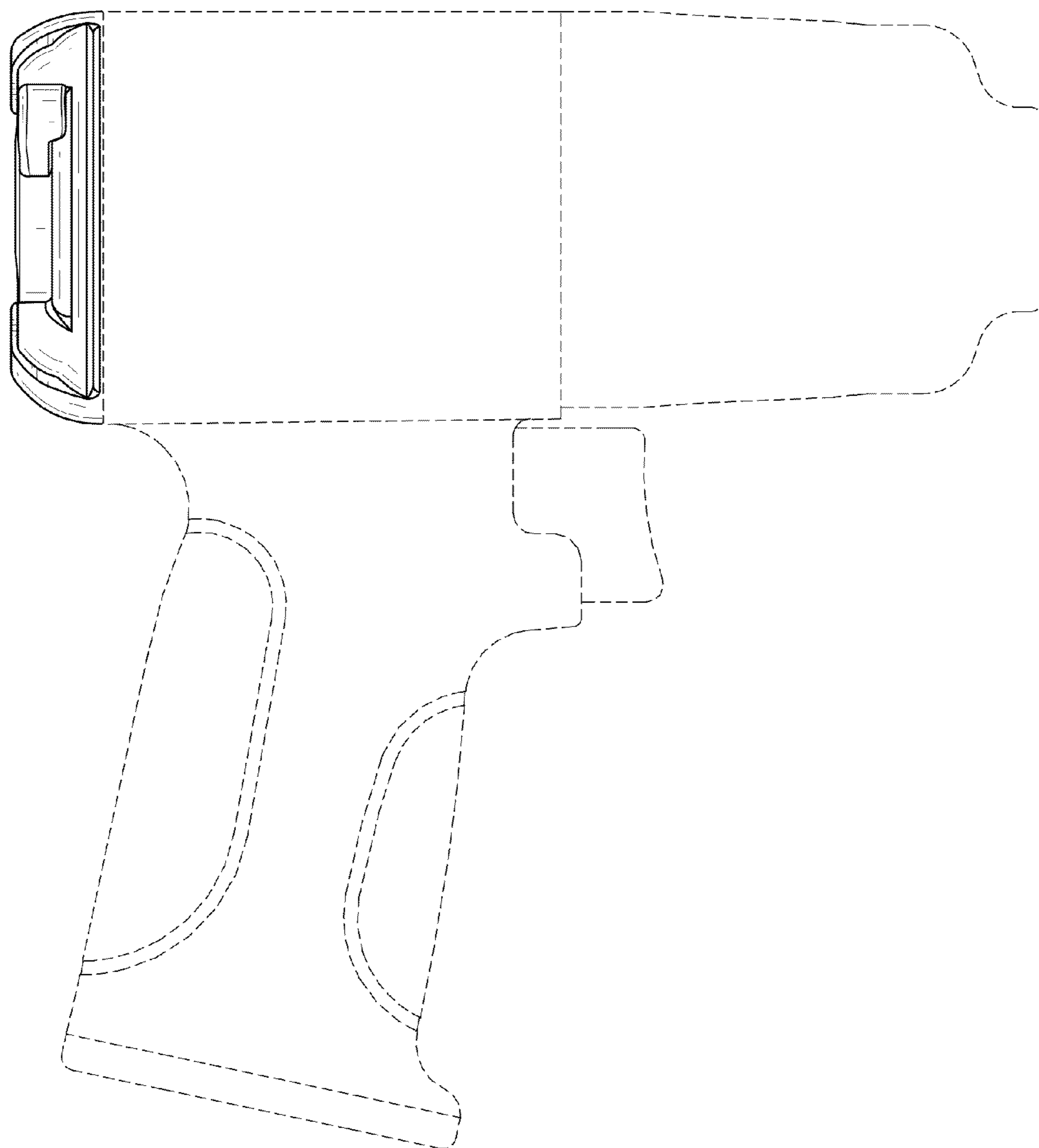


FIG. 4

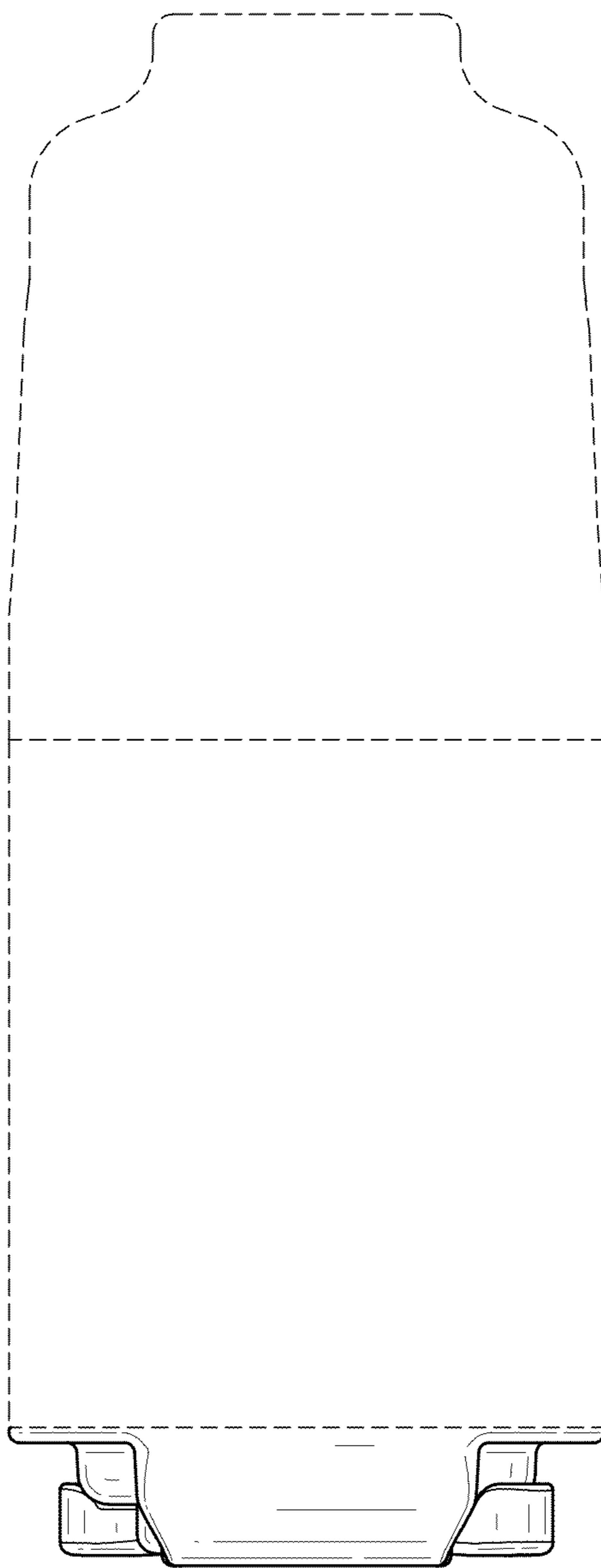


FIG. 5

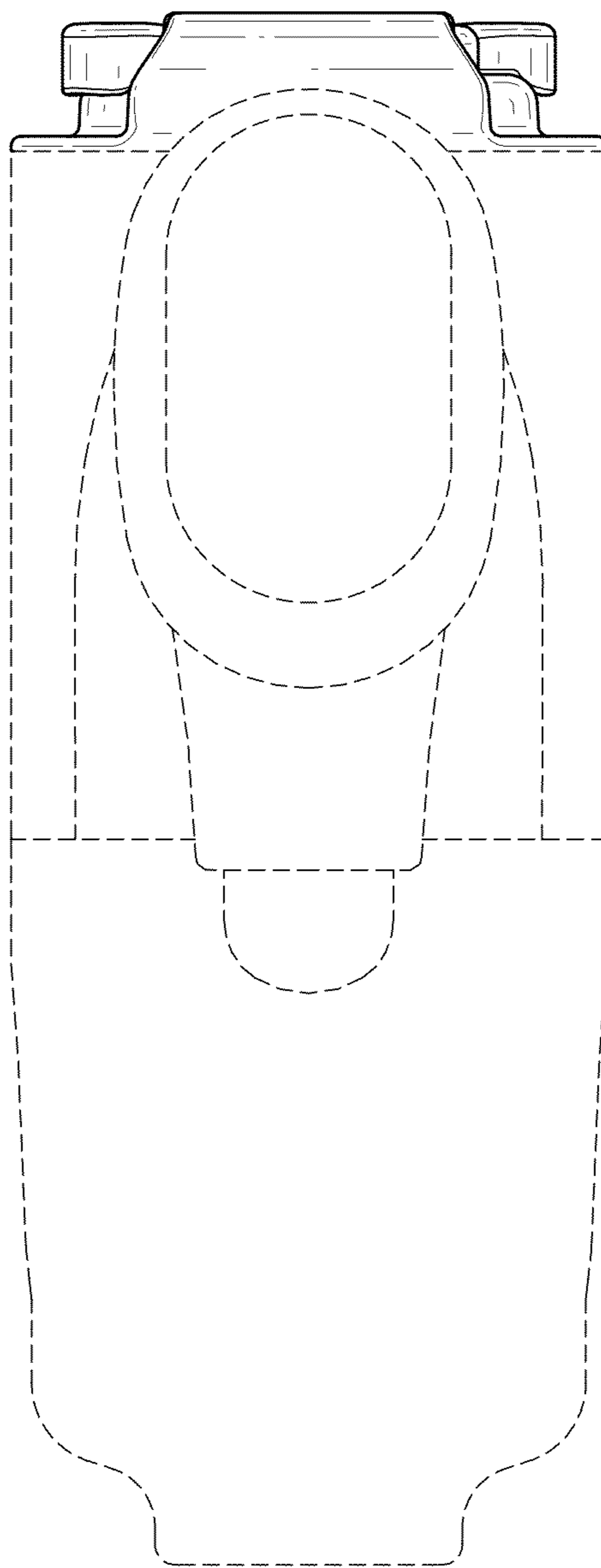


FIG. 6

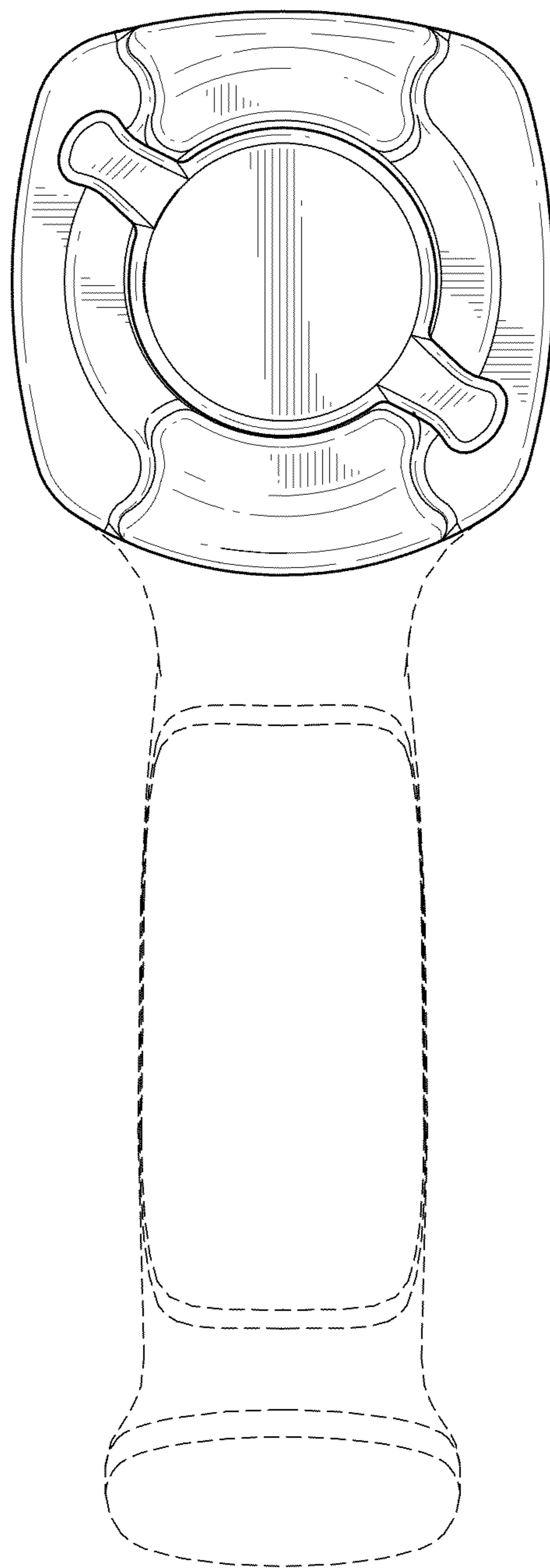


FIG. 7