



US00D758156S

(12) **United States Design Patent**
Scilli

(10) **Patent No.:** **US D758,156 S**
(45) **Date of Patent:** **** Jun. 7, 2016**

(54) **SHARPENER**

(71) Applicant: **AMA S.P.A.**, San Martino in Rio (IT)

(72) Inventor: **Roberto Scilli**, Correggio (IT)

(73) Assignee: **AMA S.P.A.**, San Martino in Rio (IT)

(**) Term: **14 Years**

(21) Appl. No.: **29/512,396**

(22) Filed: **Dec. 18, 2014**

(30) **Foreign Application Priority Data**

Jun. 20, 2014 (EM) 002486746-0001
Nov. 27, 2014 (EM) 002586206-0001

(51) **LOC (10) CL.** **08-05**

(52) **U.S. CL.**
USPC **D8/63; D8/61**

(58) **Field of Classification Search**
USPC D8/34, 35, 63, 91, 93; 451/45, 267,
451/552, 555-558; 76/82, 84, 86-89.2;
30/138

CPC B23D 59/04; B23D 63/16; B24B 55/02;
B24B 3/58; B23Q 11/10
See application file for complete search history.

(56) **References Cited**

U.S. PATENT DOCUMENTS

2,780,897 A * 2/1957 Radase B24B 21/00
451/296
4,617,763 A * 10/1986 Edling B24B 3/54
451/241
5,400,546 A * 3/1995 Christian B24B 3/32
451/138

5,649,853 A * 7/1997 Kuo B24B 3/30
451/178
7,121,932 B2 * 10/2006 Liao B24B 3/247
451/179
D568,132 S * 5/2008 Heun D8/63
8,696,407 B2 * 4/2014 Dovel B24B 3/52
451/296
D723,895 S * 3/2015 Dovel D8/63
D730,137 S * 5/2015 Onion D8/63

* cited by examiner

Primary Examiner — Austin Murphy

(74) *Attorney, Agent, or Firm* — LeClairRyan, a Professional Corporation

(57) **CLAIM**

The ornamental design for a sharpener, as shown and described.

DESCRIPTION

FIG. 1 is a right perspective view of a sharpener;
FIG. 2 is a left perspective view of the sharpener shown in FIG. 1;

FIG. 3 is a rear view of the sharpener shown in FIG. 1;

FIG. 4 is a front view of the sharpener shown in FIG. 1;

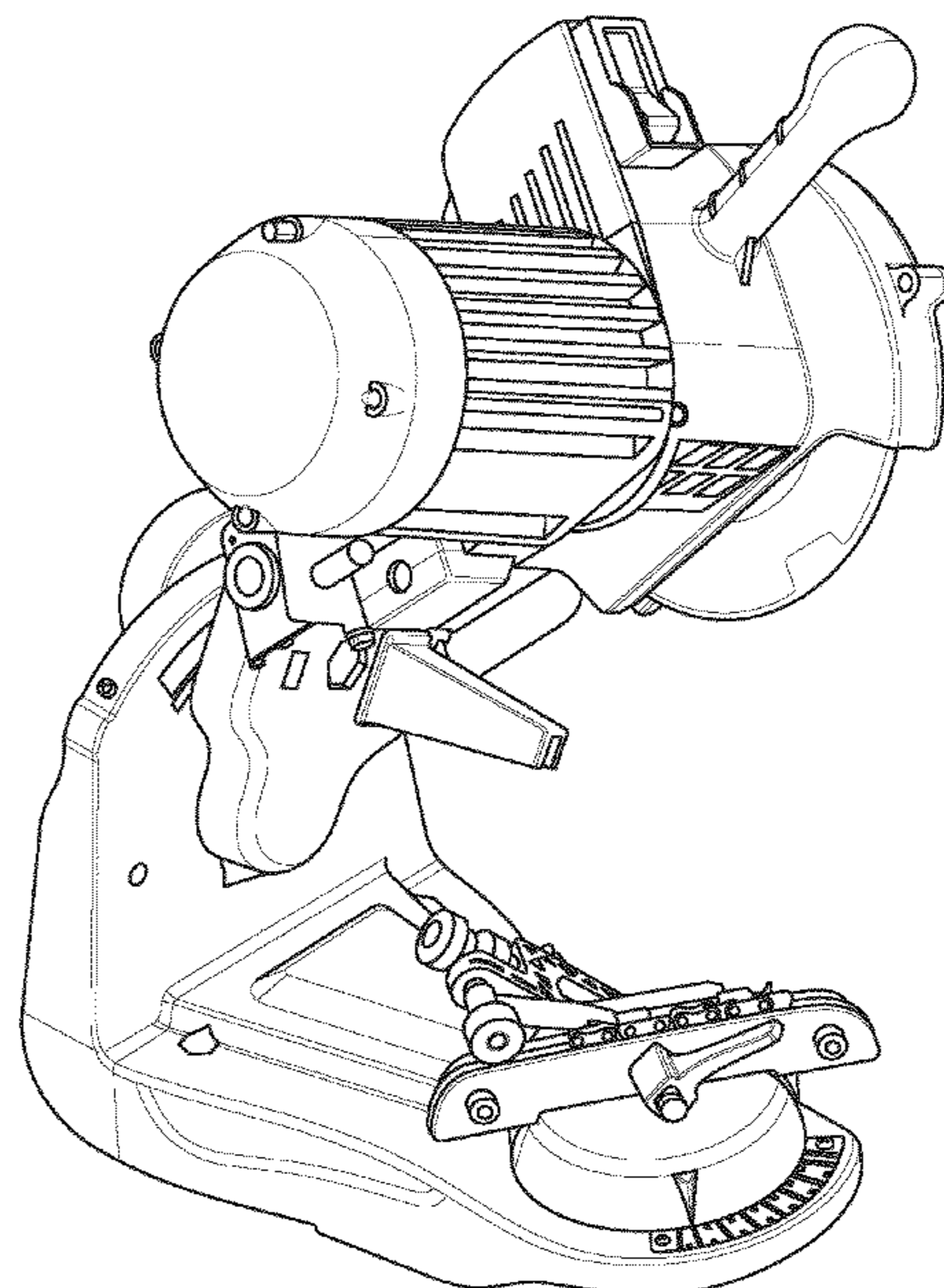
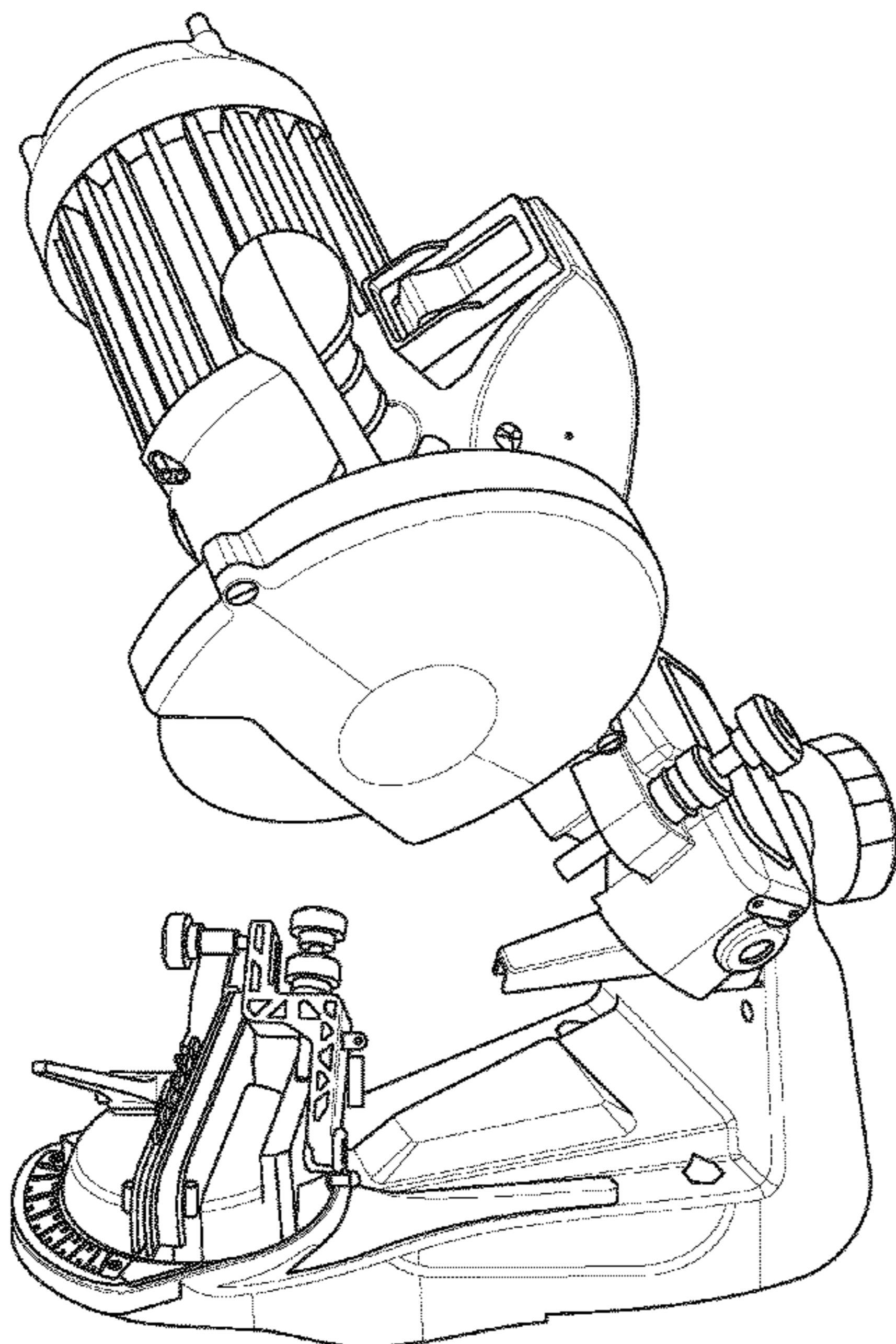
FIG. 5 is a right view of the sharpener shown in FIG. 1;

FIG. 6 is a left view of the sharpener shown in FIG. 1; and,

FIG. 7 is a top view of the sharpener shown in FIG. 1.

The designations of the views below as top, bottom, right side, left side, front, and rear are for ease of discussion only and are not intended to limit the sharpener to one particular orientation. The sharpener can be oriented in other directions which would alter these designations. The views are not necessarily shown in the same scale, and any change in scale between different views is not intended limit the sharpener to a particular size.

1 Claim, 7 Drawing Sheets



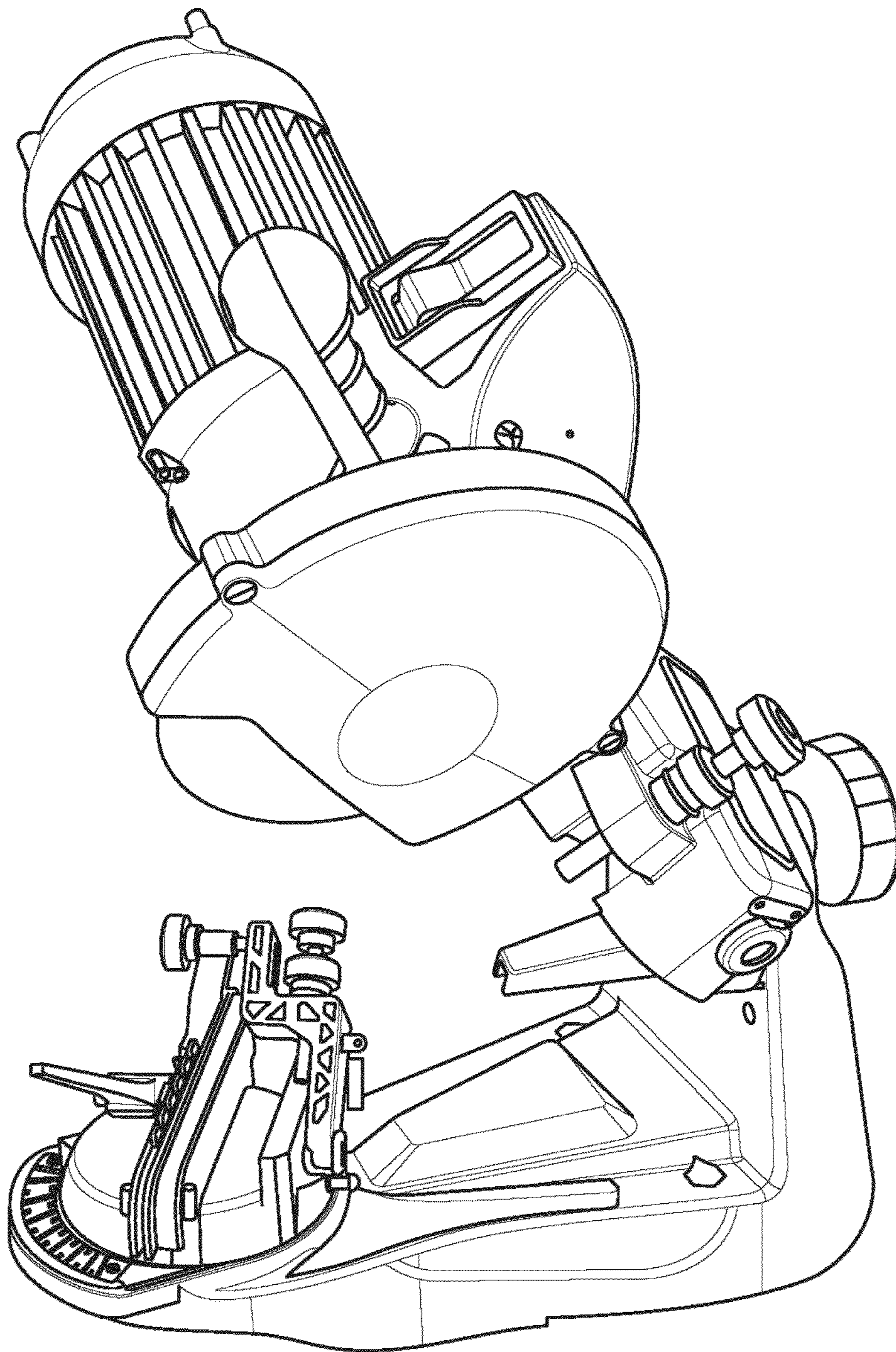


FIG. 1

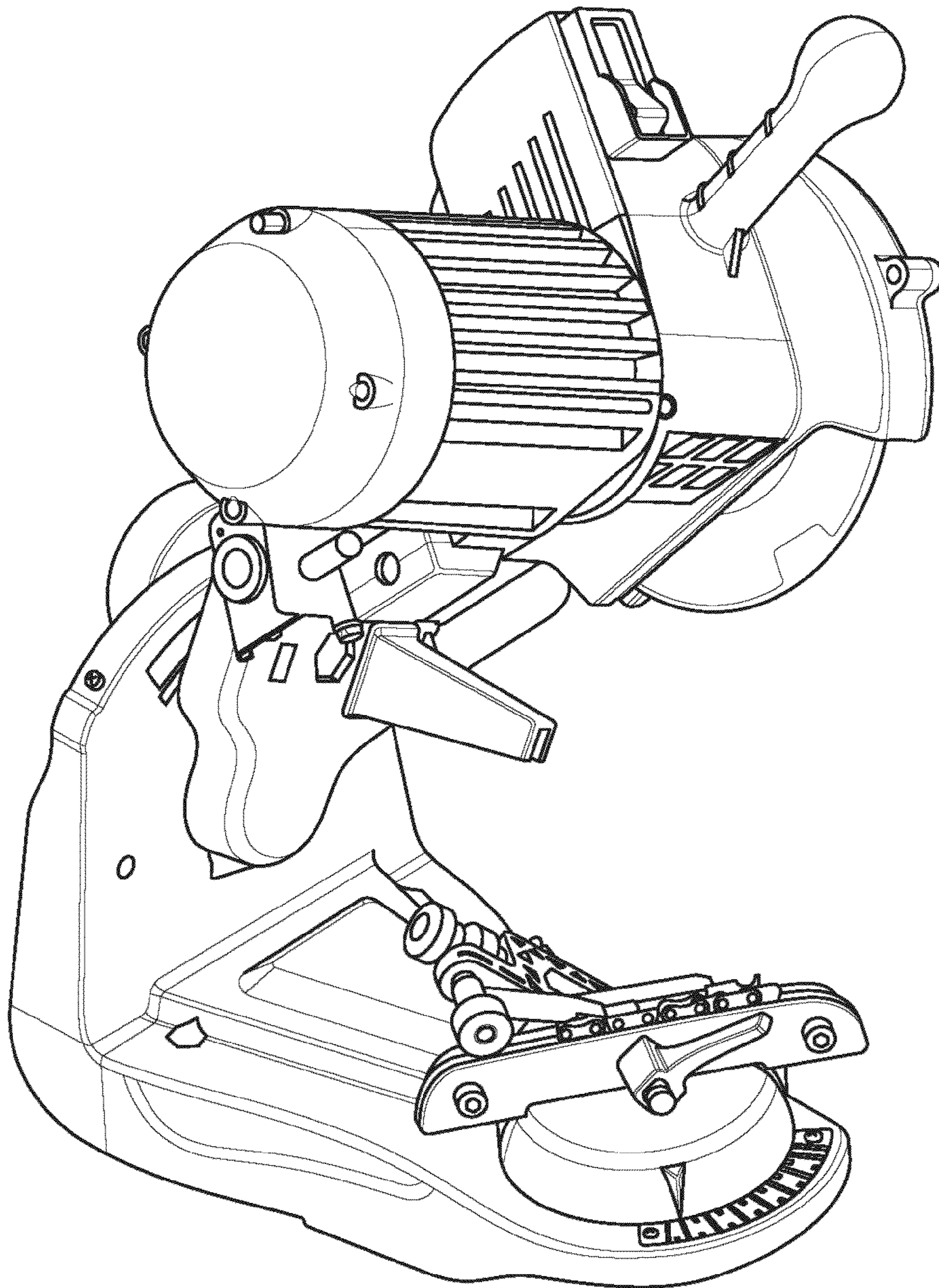


FIG. 2

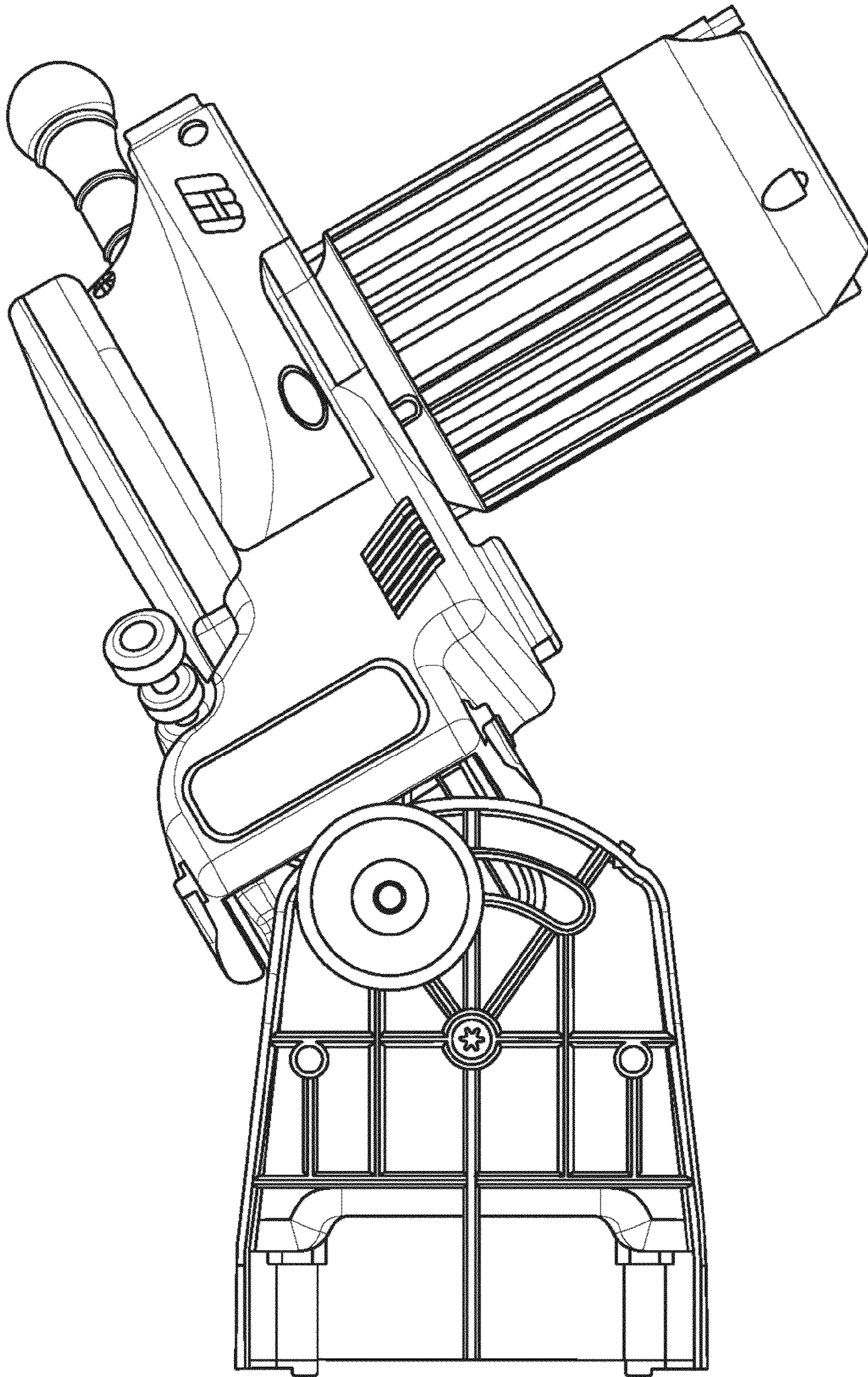


FIG. 3

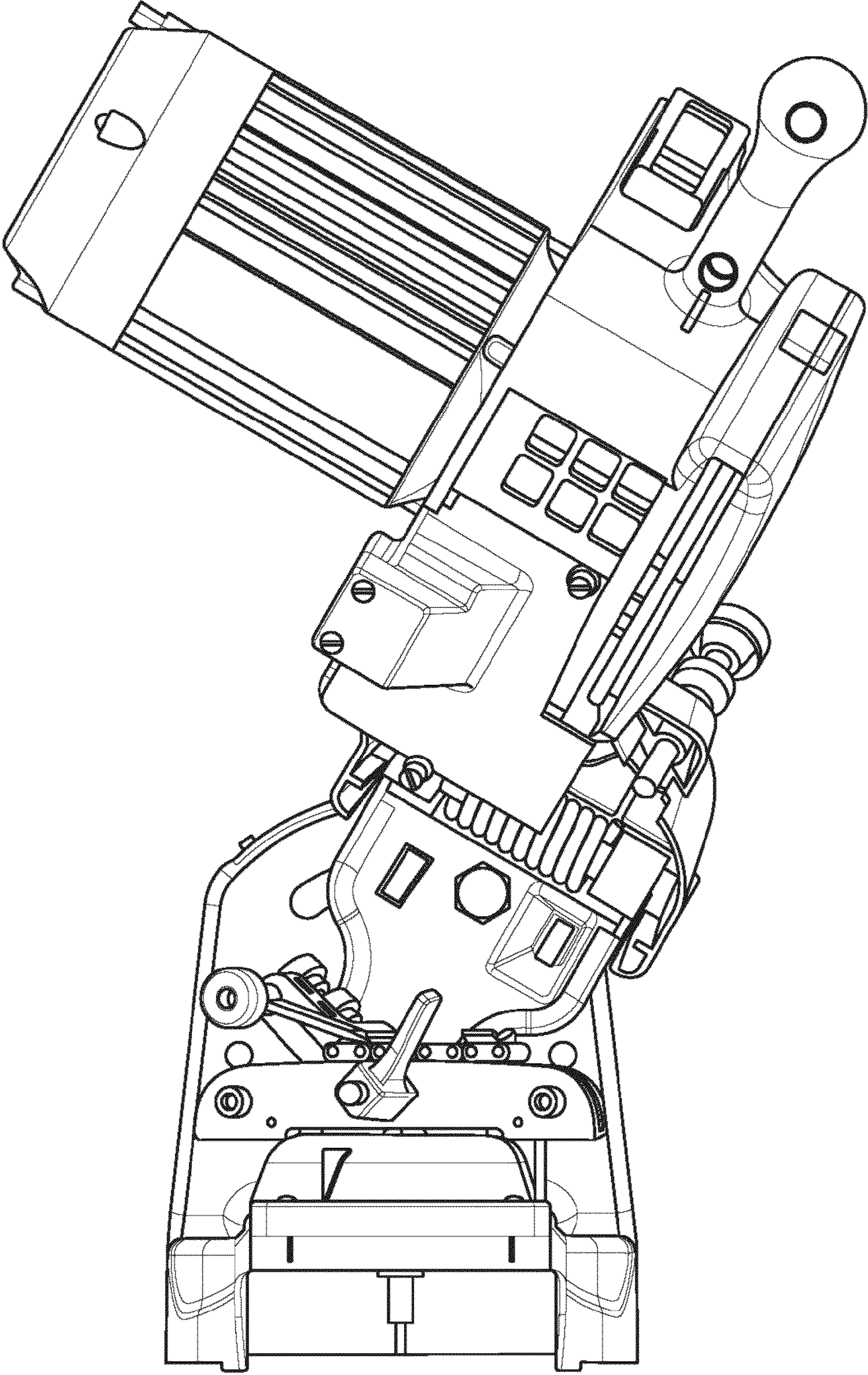


FIG. 4

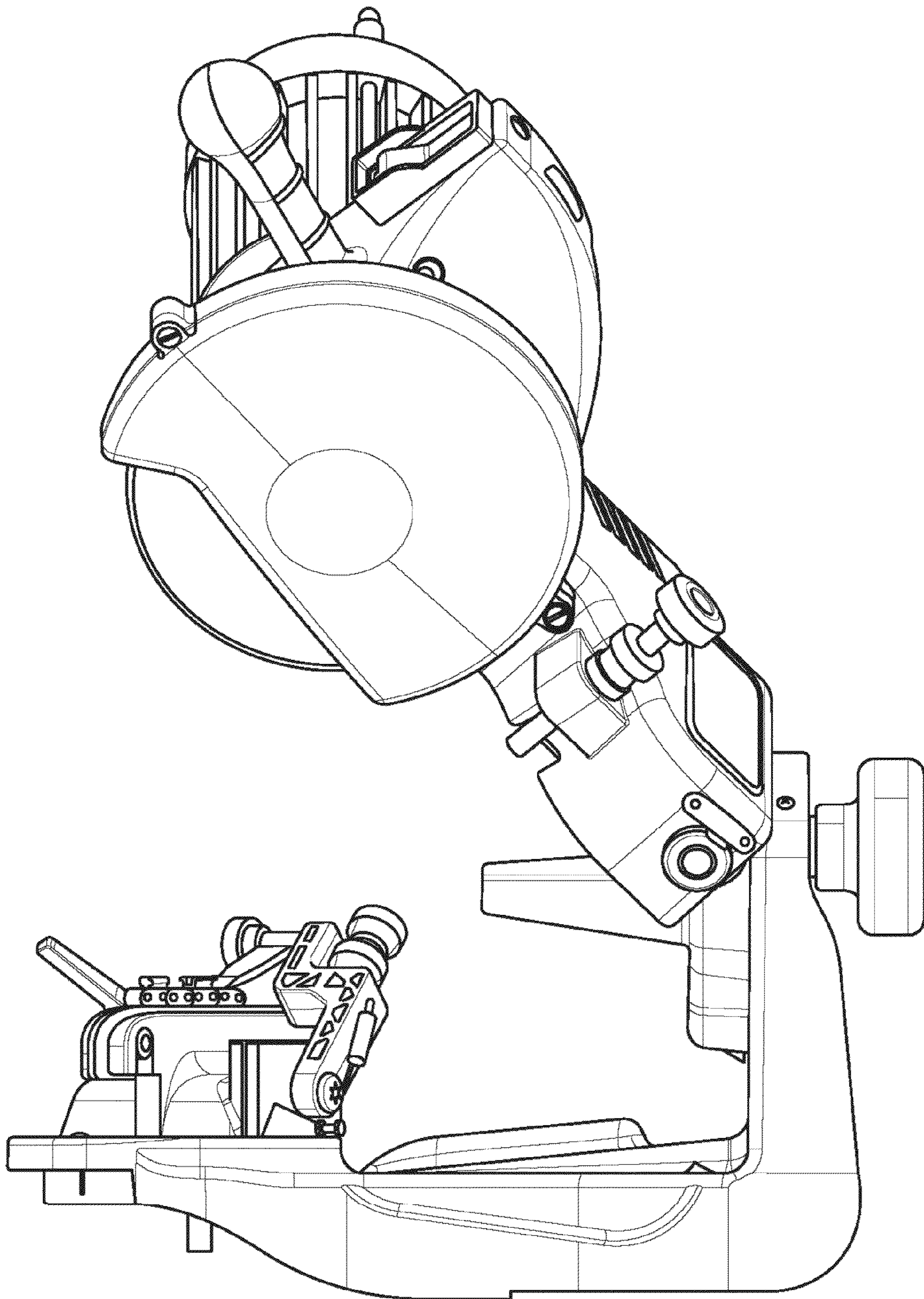


FIG. 5

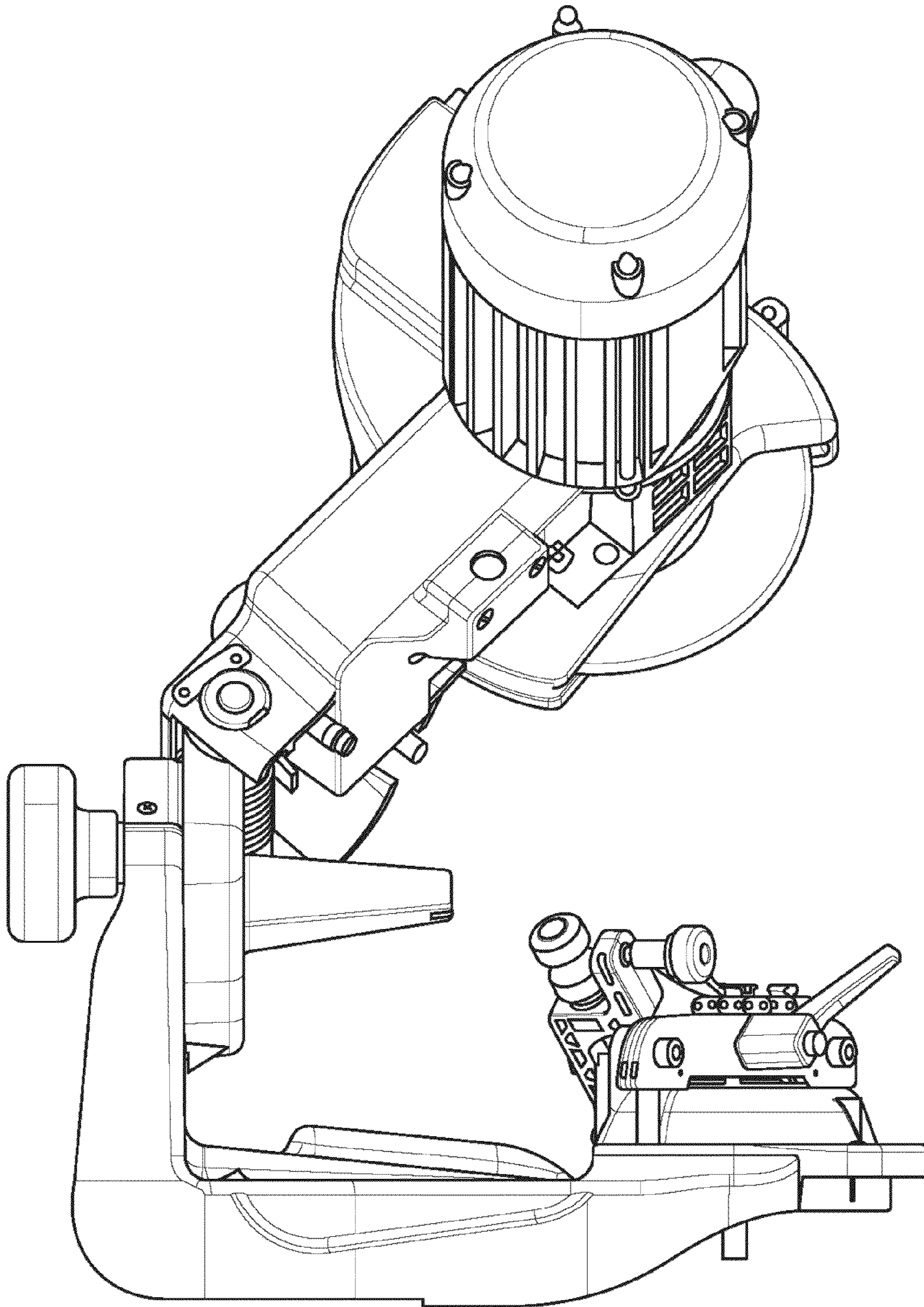


FIG. 6

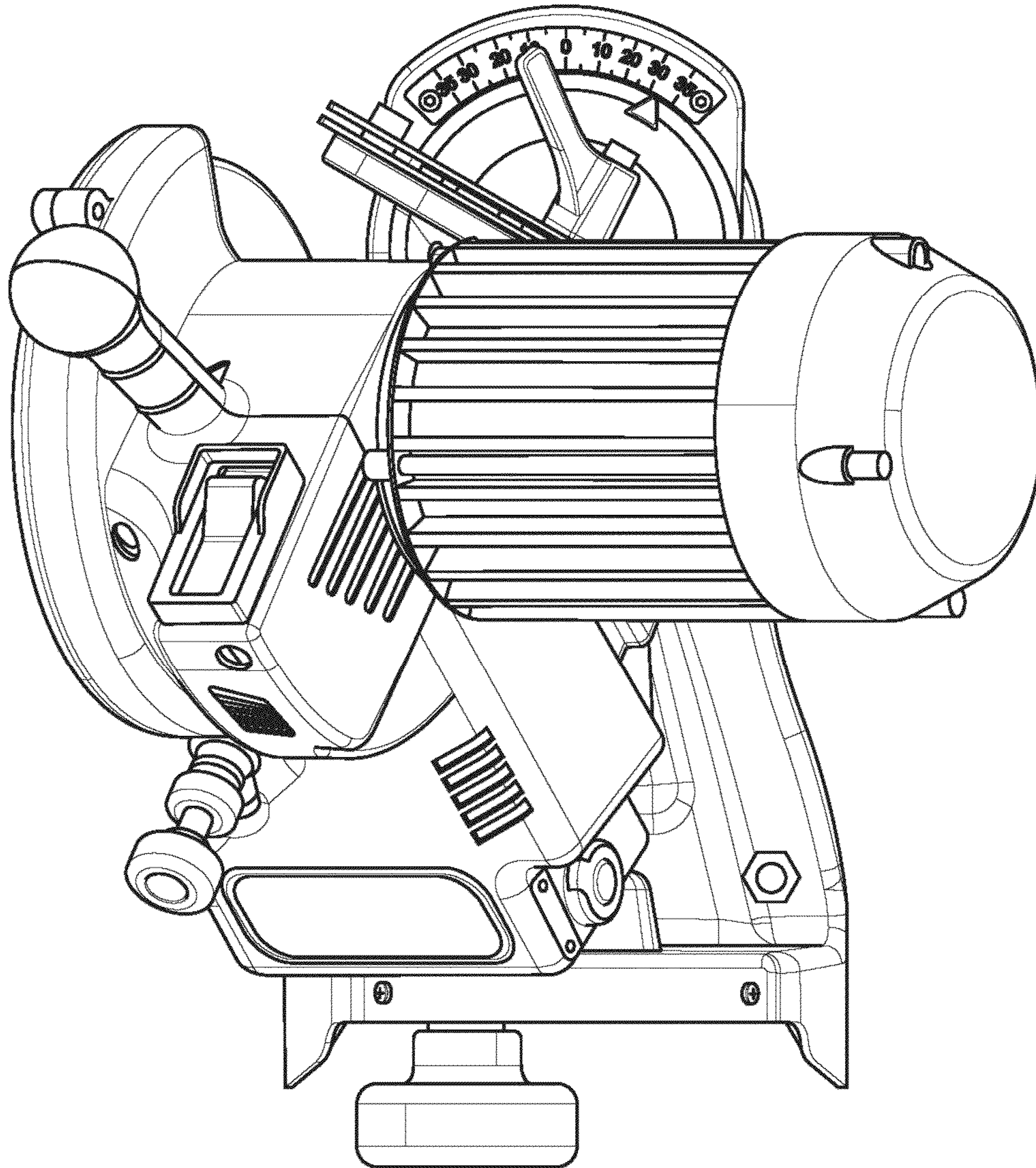


FIG. 7