



US00D758154S

(12) **United States Design Patent**
Huang

(10) **Patent No.:** **US D758,154 S**
(45) **Date of Patent:** **** Jun. 7, 2016**

- (54) **ADJUSTABLE WRENCH HEAD**
- (71) Applicant: **New Way Tools Co., Ltd.**, Taichung (TW)
- (72) Inventor: **Ping-Wen Huang**, Taichung (TW)
- (73) Assignee: **New Way Tools Co., Ltd.**, Taichung (TW)
- (**) Term: **14 Years**
- (21) Appl. No.: **29/516,845**
- (22) Filed: **Feb. 6, 2015**
- (51) **LOC (10) Cl.** **08-05**
- (52) **U.S. Cl.**
USPC **D8/22**
- (58) **Field of Classification Search**
USPC D8/22, 55; 81/111, 126, 124.5, 129.5, 81/117, 133, 155, 165-170
CPC B25B 13/00; B25B 13/10; B25B 13/46; B25B 13/14
See application file for complete search history.

- 6,931,969 B2 * 8/2005 Hsien B25B 13/12 81/170
- D514,996 S * 2/2006 Rayburn D12/192
- 7,117,768 B1 * 10/2006 Stoepelwerth B25B 13/14 81/133
- D545,153 S * 6/2007 Hsieh D8/22
- D547,149 S * 7/2007 Wu D8/22
- 7,255,026 B1 * 8/2007 Lee B25B 13/14 81/165
- 7,284,465 B1 * 10/2007 Chen B25B 13/20 81/165
- D707,509 S * 6/2014 Huang D8/22

* cited by examiner

Primary Examiner — Randall Gholson

(74) *Attorney, Agent, or Firm* — Alan D. Kamrath; Kamrath IP Lawfirm, P.A.

(57) **CLAIM**

The ornamental design for an adjustable wrench head, as shown and described.

DESCRIPTION

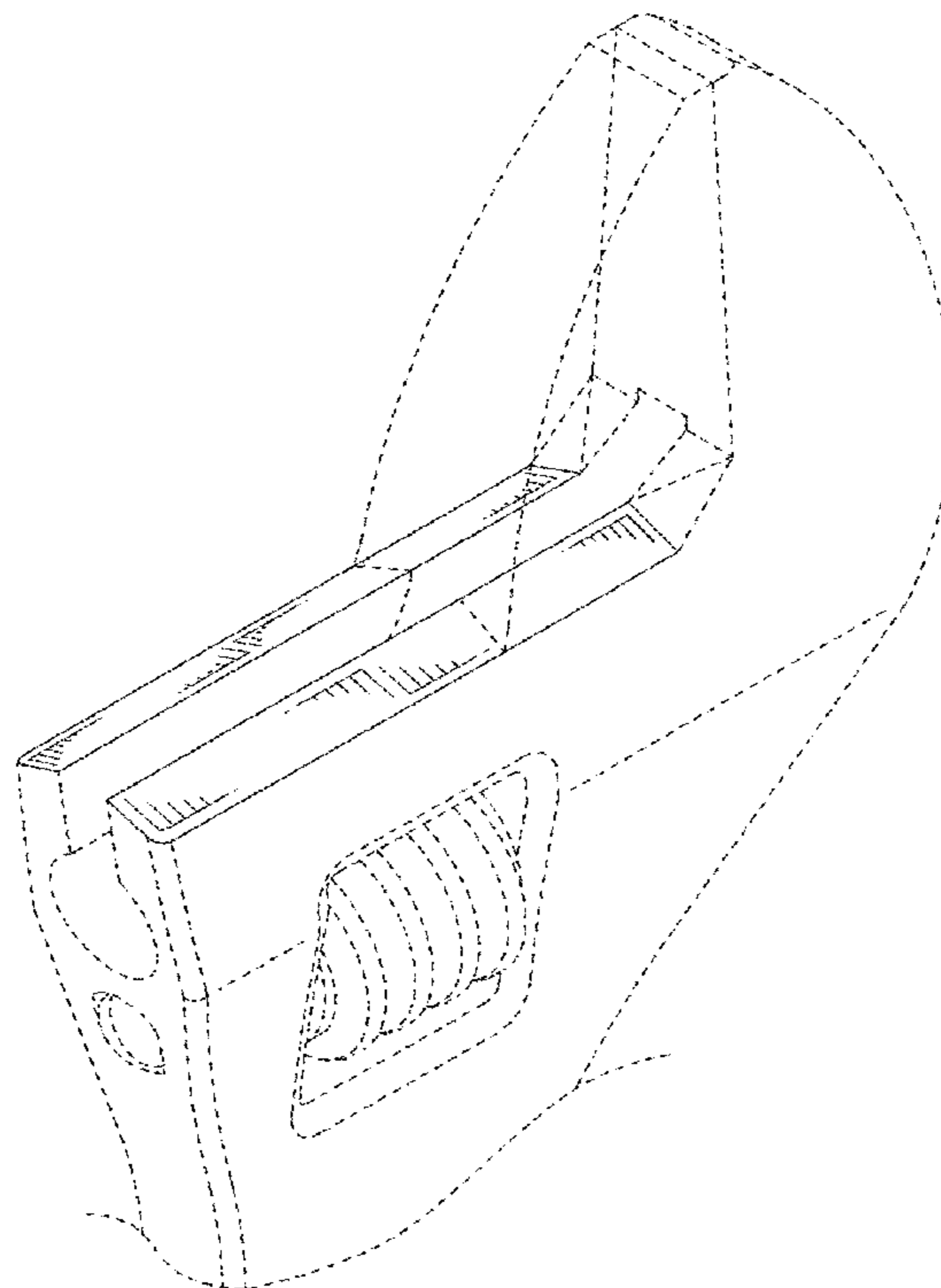
FIG. 1 is a perspective view of an adjustable wrench head showing my new design;
 FIG. 2 is a front view thereof;
 FIG. 3 is a rear view thereof;
 FIG. 4 is a left view thereof;
 FIG. 5 is a right view thereof; and,
 FIG. 6 is a top view thereof.
 The broken lines depict portions of the adjustable wrench head that form no part of the claimed design.

1 Claim, 6 Drawing Sheets

(56) **References Cited**

U.S. PATENT DOCUMENTS

- 2,720,805 A * 10/1955 Brynge B25B 13/14 81/129.5
- 3,901,107 A * 8/1975 Halls B25B 13/14 81/165
- D434,956 S * 12/2000 Macor D8/22



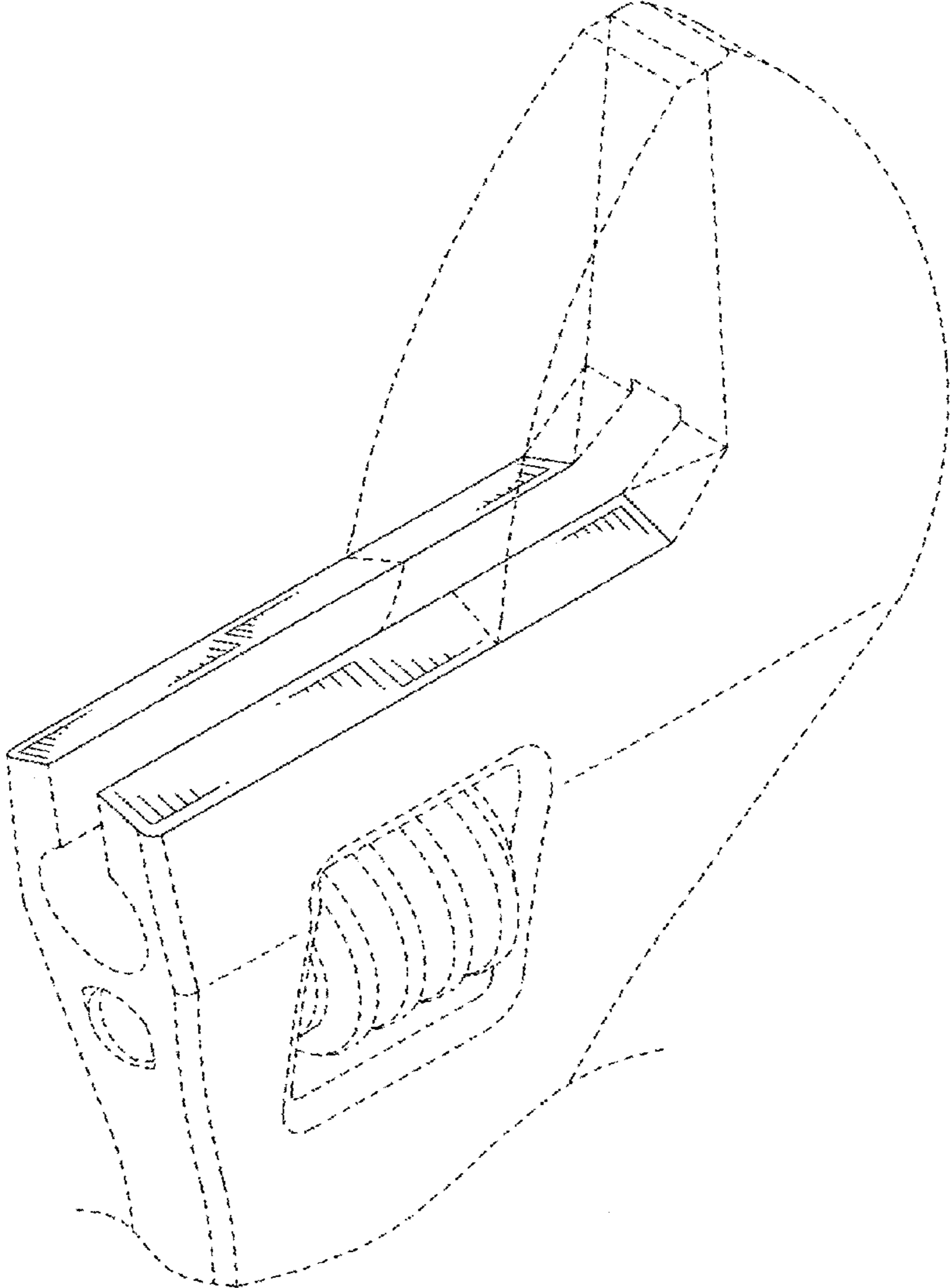


FIG. 1

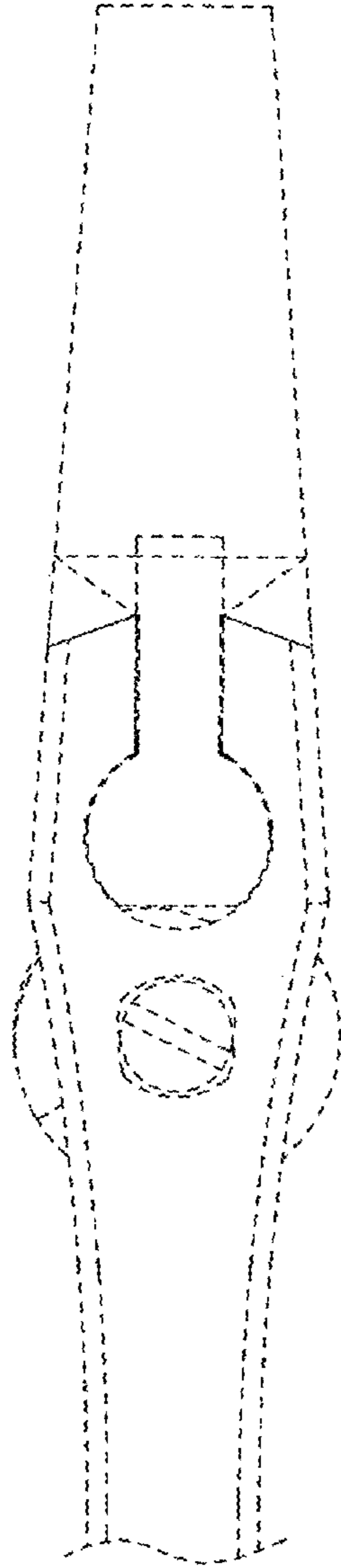


FIG. 2

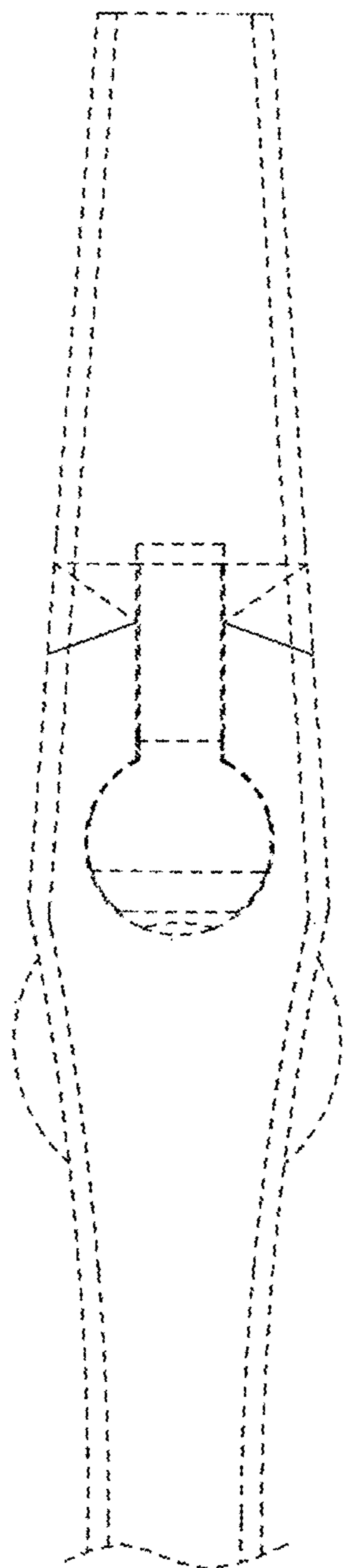


FIG. 3

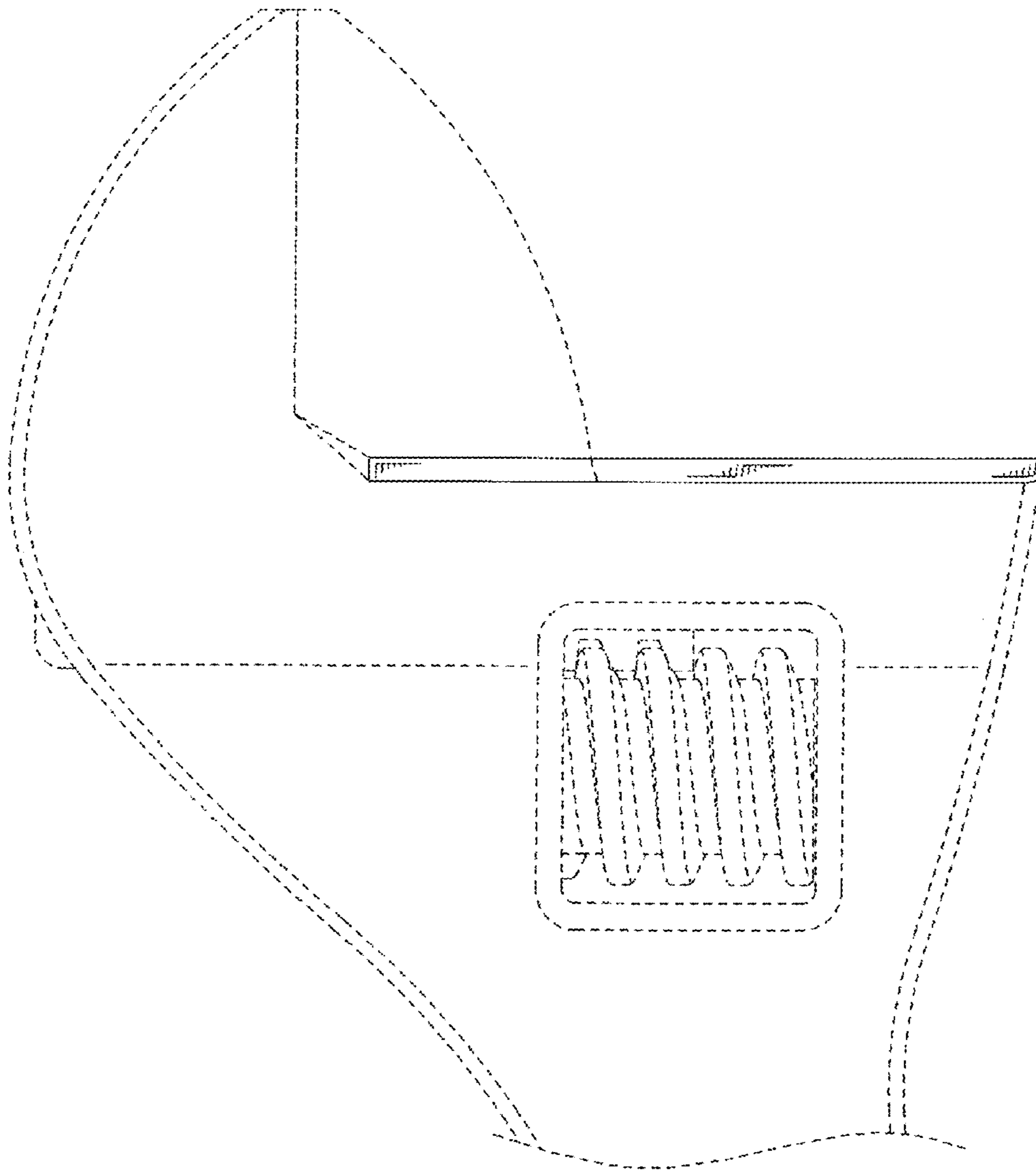


FIG. 4

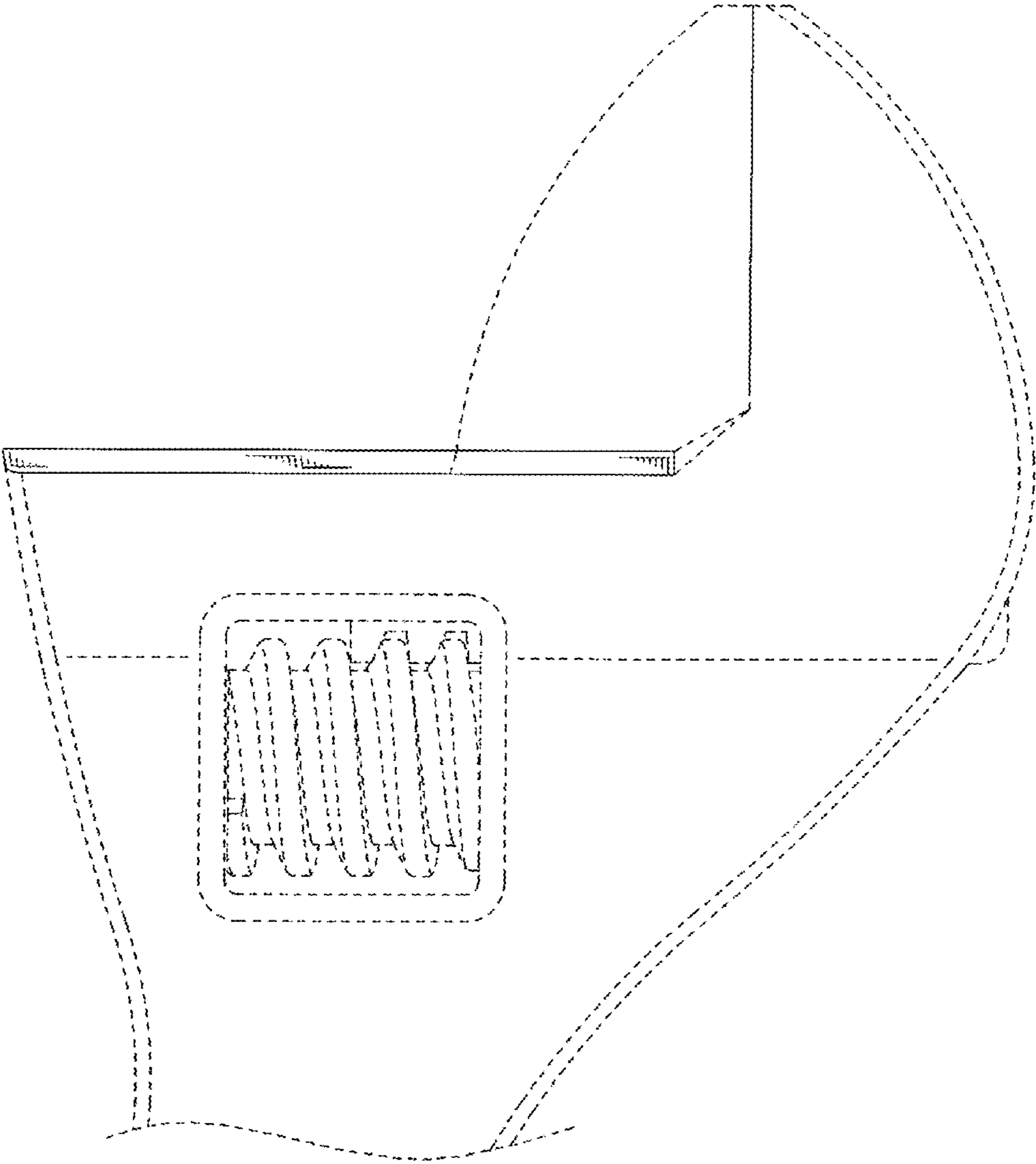


FIG. 5

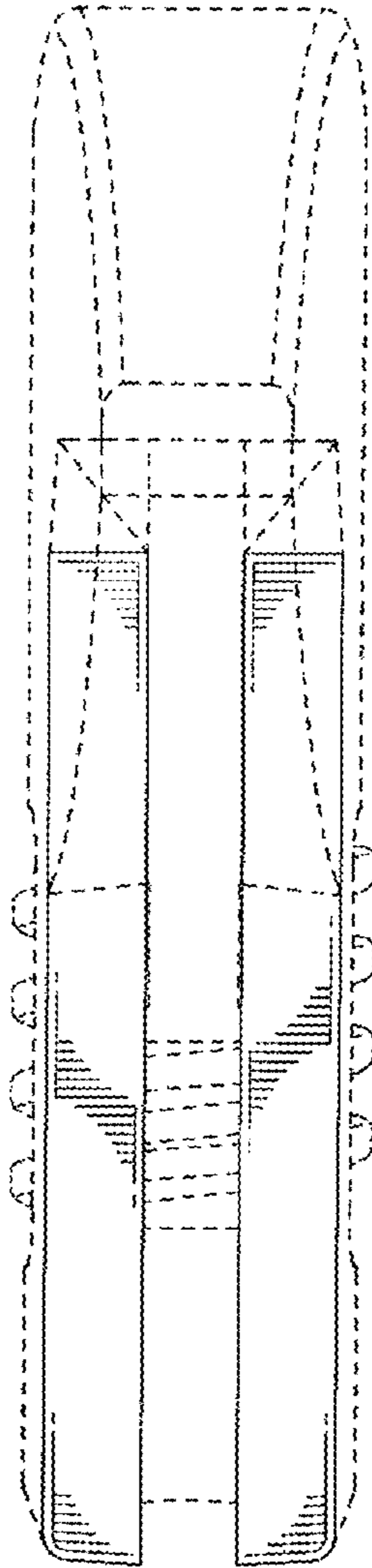


FIG. 6