



US00D758153S

(12) **United States Design Patent**
Bryant

(10) **Patent No.:** **US D758,153 S**
(45) **Date of Patent:** **** *Jun. 7, 2016**

- (54) **HOE HEAD**
- (76) Inventor: **Karen Jennifer Bryant**, Monroeville, AL (US)
- (*) Notice: This patent is subject to a terminal disclaimer.
- (**) Term: **14 Years**
- (21) Appl. No.: **29/415,869**
- (22) Filed: **Apr. 9, 2012**
- (51) **LOC (10) Cl.** **08-01**
- (52) **U.S. Cl.**
USPC **D8/11**
- (58) **Field of Classification Search**
USPC D8/7, 9, 11; 172/380, 372, 375, 378, 172/376; 7/114-116; 56/400.01, 400.04, 56/400.21
See application file for complete search history.

D32,228 S *	2/1900	McDonald	D8/9
880,925 A *	3/1908	Shanks	172/380
1,666,374 A *	4/1928	Gatti	172/375
2,010,303 A *	8/1935	Hopley	172/380
2,267,201 A *	12/1941	Hirai	403/255
2,549,608 A *	4/1951	Johnson	172/380
D195,042 S *	4/1963	Harrison	D8/9
D308,004 S *	5/1990	Dawley et al.	D8/11
D359,891 S *	7/1995	Hiller	D8/9
D661,958 S *	6/2012	Pizzeta	D8/11

* cited by examiner

Primary Examiner — Sheryl Lane

(74) *Attorney, Agent, or Firm* — Bradley Arant Boult Cummings, LLP; Angela Holt; Jonathan C. "Rudy" Hill

(57) **CLAIM**

The ornamental design for a hoe head, as shown and described.

DESCRIPTION

FIG. 1 is a top view of the hoe head of the present invention; and,

FIG. 2 is a bottom view thereof.

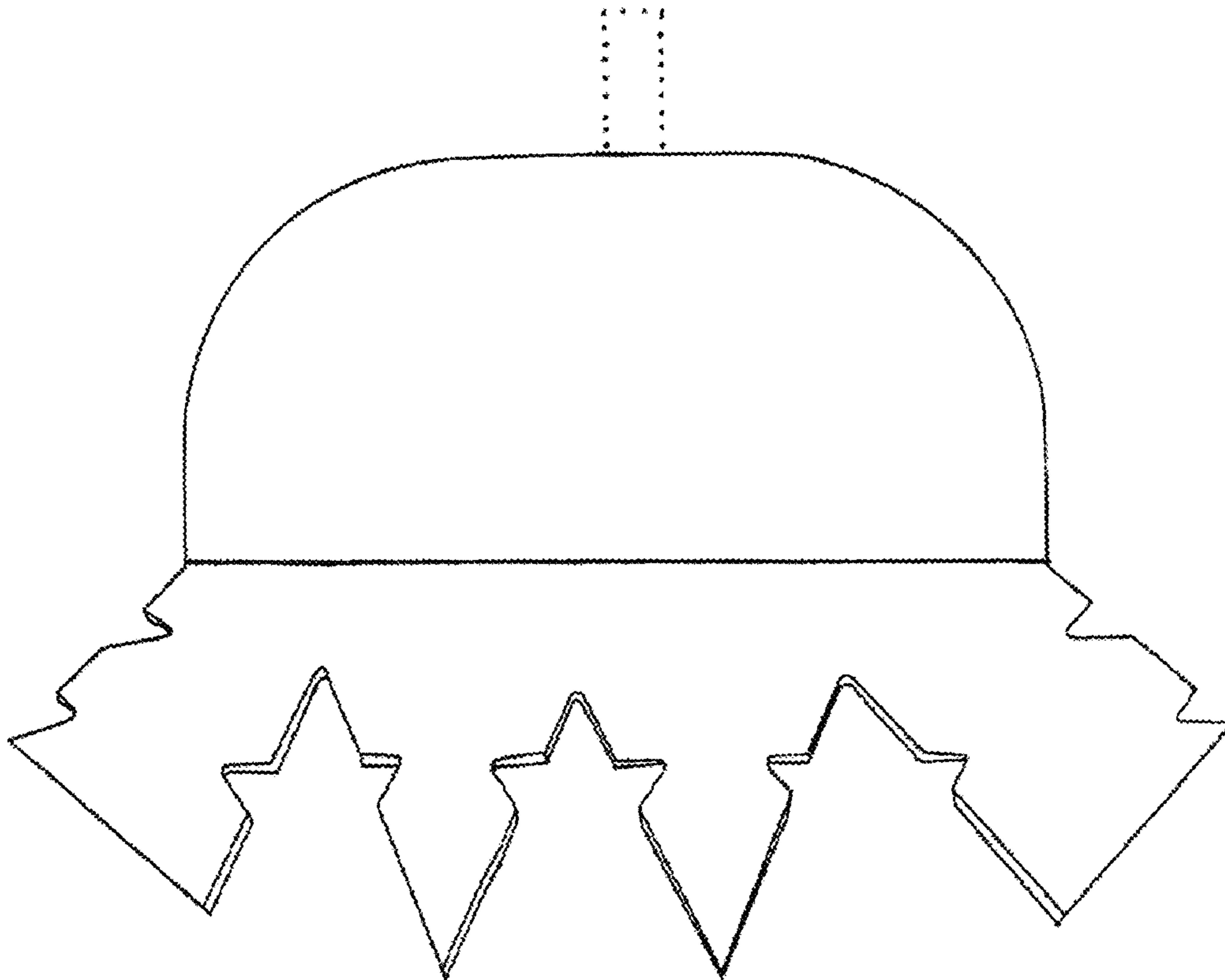
Any portion of the hoe head not shown in the drawings forms no part of the claimed design. The thickness of the hoe head is consistent throughout. The broken lines represent portions of the article and form no part of the claimed design.

1 Claim, 2 Drawing Sheets

(56) **References Cited**

U.S. PATENT DOCUMENTS

319,183 A *	6/1885	Boothby	172/380
362,876 A *	5/1887	Calet	172/380
D25,667 S *	6/1896	Lipe	D8/9



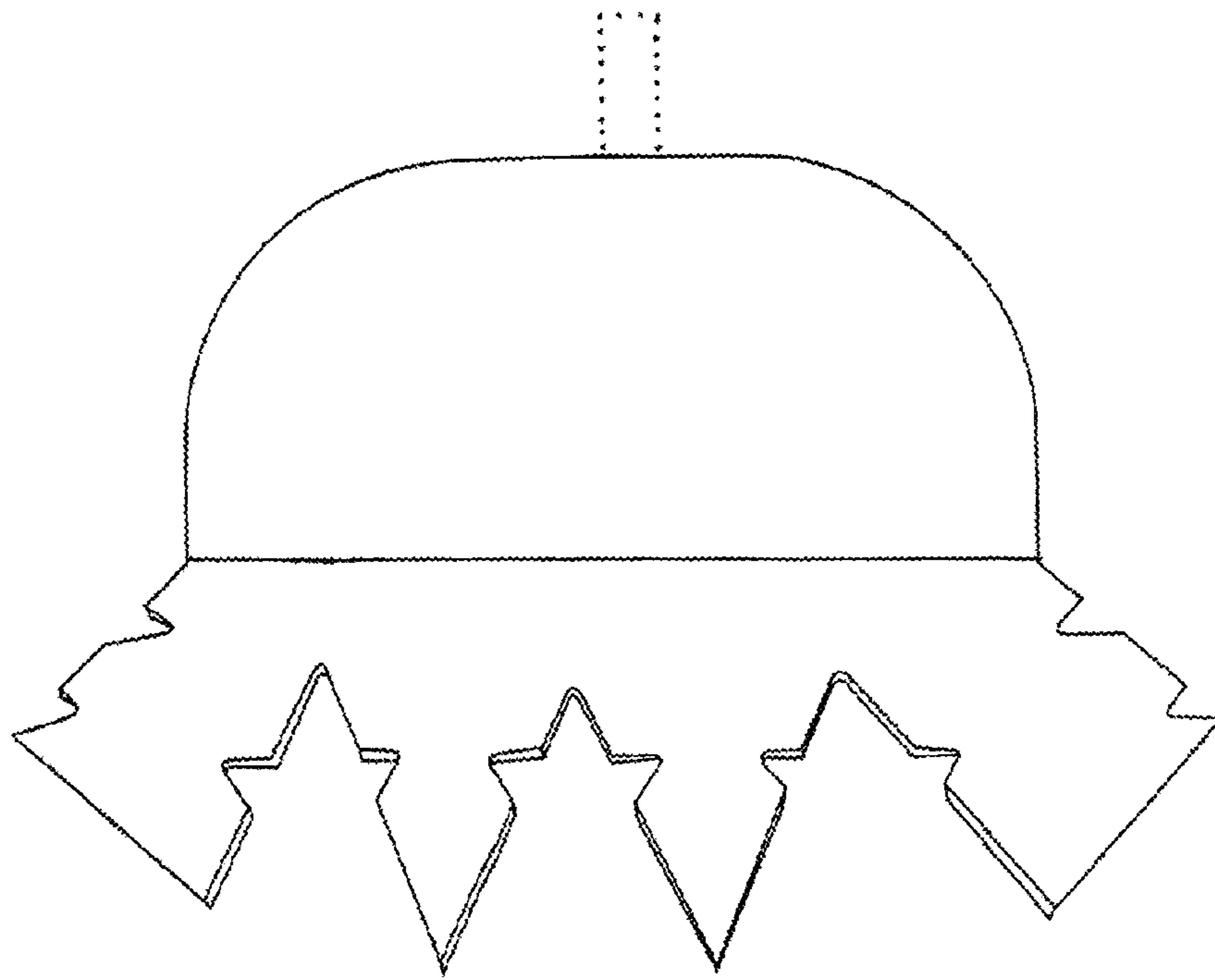


Figure 1

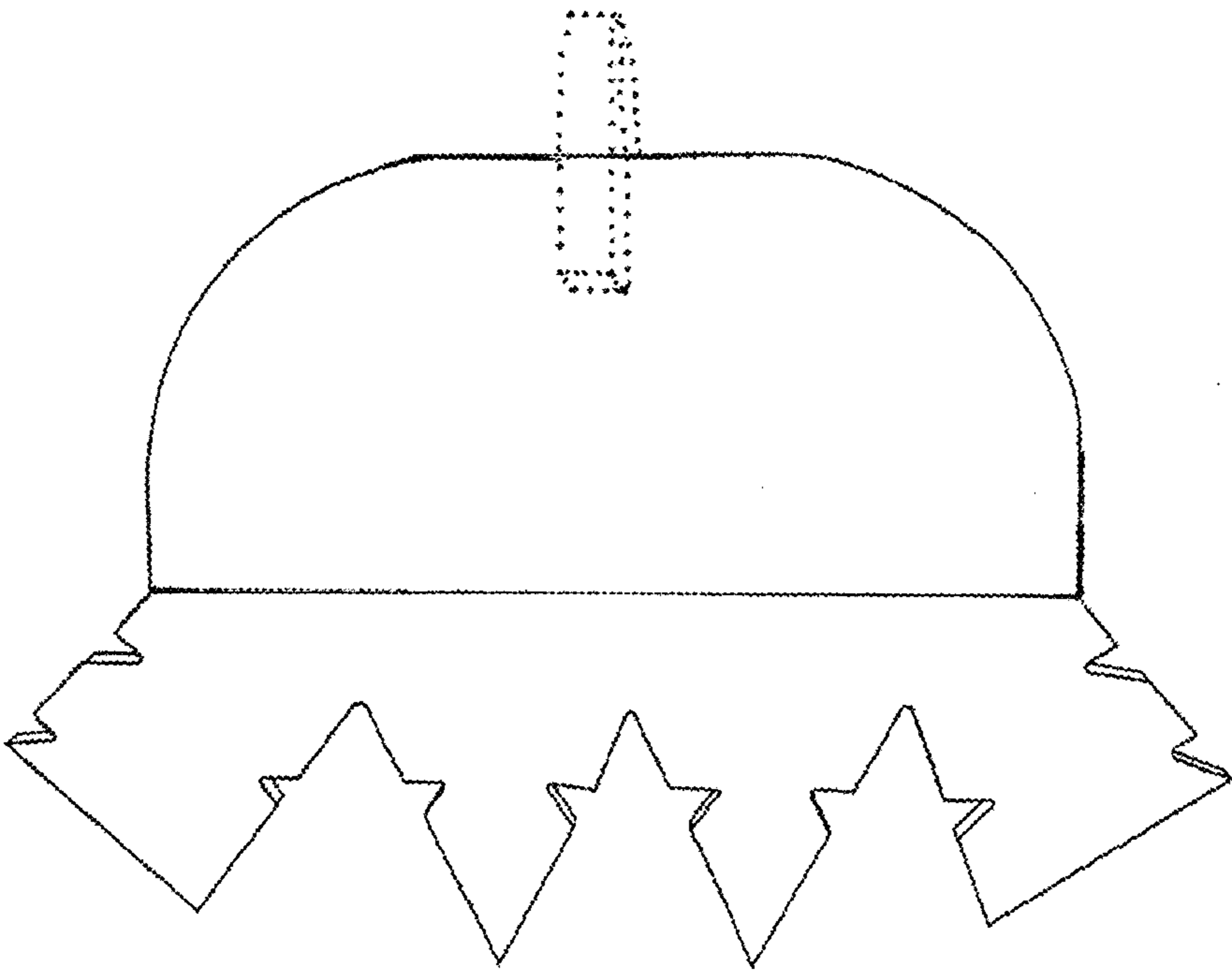


Figure 2