



US00D758151S

(12) **United States Design Patent**
Tinius

(10) **Patent No.:** **US D758,151 S**
(45) **Date of Patent:** **** Jun. 7, 2016**

(54) **CORDLESS TRIMMER WITH LOOP HANDLE**

(71) Applicant: **Andreas Stihl AG & Co. KG**,
Walblingen (DE)

(72) Inventor: **Michael Tinius**, Ulm (DE)

(73) Assignee: **Andreas Stihl AG & Co. KG**,
Waiblingen (DE)

(**) Term: **14 Years**

(21) Appl. No.: **29/499,776**

(22) Filed: **Aug. 19, 2014**

(30) **Foreign Application Priority Data**

Apr. 4, 2014 (EM) 002440180-0006

(51) **LOC (10) Cl.** **08-01**

(52) **U.S. Cl.**
USPC **D8/8**

(58) **Field of Classification Search**

USPC D8/1, 7, 8, 9, 499
CPC . A01D 34/01; A01D 34/416; A01D 34/4161;
A01D 34/84; A01D 34/90; A01G 3/067;
A01G 3/06

See application file for complete search history.

(56) **References Cited**

U.S. PATENT DOCUMENTS

774,142 A	11/1904	Brick
2,542,665 A	2/1951	Gustafson
3,137,116 A	6/1964	Besser et al.
3,174,269 A	3/1965	Londo
3,650,099 A	3/1972	Sitter
3,696,597 A	10/1972	Sitter
D252,130 S	6/1979	Hoff
4,197,640 A	4/1980	Murray
4,534,005 A	8/1985	Nagashima et al.
4,630,372 A	12/1986	Nagashima
4,654,970 A	4/1987	Nagashima

4,662,071 A	5/1987	Hoppner et al.
H378 H	12/1987	Matsumoto
4,819,332 A	4/1989	Sugihara et al.
4,916,886 A	4/1990	Nakamura et al.
4,932,126 A	6/1990	Pilatowicz et al.
5,027,591 A	7/1991	Nakamura et al.
D321,816 S	11/1991	Fushiya et al.
5,070,618 A	12/1991	Edlund

(Continued)

FOREIGN PATENT DOCUMENTS

DE	102010013756	10/2011	
DE	102010013756 A1 *	10/2011 A01D 34/902

Primary Examiner — Sheryl Lane

Assistant Examiner — Ieisha Price

(74) *Attorney, Agent, or Firm* — McGuireWoods LLP

(57) **CLAIM**

I claim the ornamental design for a cordless trimmer with loop handle, as shown and described.

DESCRIPTION

FIG. 1 is a left-front perspective view of the cordless trimmer with loop handle;

FIG. 2 is a front view of the cordless trimmer with loop handle shown in FIG. 1;

FIG. 3 is a rear view of the cordless trimmer with loop handle shown in FIG. 1;

FIG. 4 is a left side view of the cordless trimmer with loop handle shown in FIG. 1;

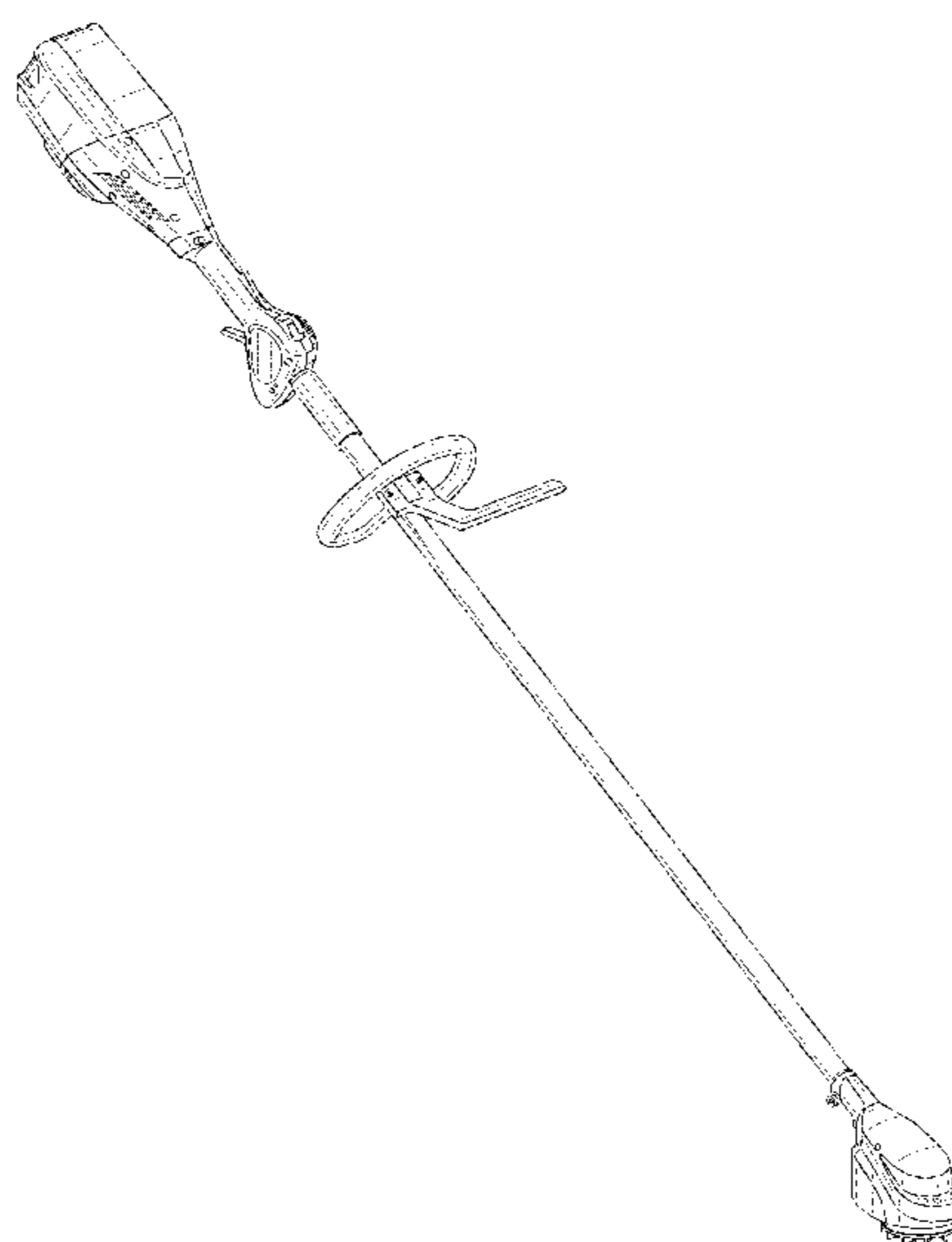
FIG. 5 is a right side view of the cordless trimmer with loop handle shown in FIG. 1;

FIG. 6 is a top view of the cordless trimmer with loop handle shown in FIG. 1; and,

FIG. 7 is a bottom view of the cordless trimmer with loop handle shown in FIG. 1.

The broken lines in the drawings illustrate portions of the cordless trimmer with loop handle and form no part of the claimed design.

1 Claim, 5 Drawing Sheets



(56)

References Cited

U.S. PATENT DOCUMENTS

D324,051 S	2/1992	Tuggle et al.	D566,493 S	4/2008	Wang
D335,674 S	5/1993	Hoshino	7,395,601 B2	7/2008	Berfield
5,261,162 A	11/1993	Siegler	D578,842 S	10/2008	Houghton
D342,875 S	1/1994	Franke et al.	D580,237 S	11/2008	Bradford
D343,777 S	2/1994	Vossoughi et al.	D580,238 S	11/2008	Murray
D351,096 S	10/1994	Gierke	D580,239 S	11/2008	Murray
D355,198 S	2/1995	Kikuchi	D580,240 S	11/2008	Murray
D355,817 S	2/1995	Nakadachi	D580,719 S	11/2008	Baxter
D355,818 S	2/1995	Nakadachi	D582,224 S	12/2008	Bochmann et al.
D356,013 S	3/1995	Kiyooka et al.	D582,225 S	12/2008	Bochmann
D356,014 S	3/1995	Griffin	D582,736 S	12/2008	Ghirardi
D358,308 S	5/1995	Griffin	7,493,696 B2	2/2009	Suzuki et al.
D360,341 S	7/1995	Hirooka et al.	7,520,061 B2	4/2009	Herzog et al.
D361,251 S	8/1995	Griffin	D596,000 S	7/2009	Klingbeil
D361,336 S	8/1995	Tinius	D600,515 S	9/2009	Tinius
D364,326 S	11/1995	Lohse et al.	D600,516 S	9/2009	Tinius
5,485,814 A	1/1996	Tuggle et al.	D600,517 S	9/2009	Tinius
5,540,291 A	7/1996	Coleman	D605,910 S	12/2009	Tinius
D372,407 S	8/1996	Haneda et al.	D606,829 S	12/2009	Tinius
5,570,512 A	11/1996	Hoppner	D609,066 S *	2/2010	Tinius D8/8
D377,441 S	1/1997	Hoppner et al.	D609,067 S	2/2010	Tinius
D378,184 S	2/1997	Naslund et al.	D623,487 S	9/2010	Tinius
D386,958 S	12/1997	Karlsson et al.	D624,371 S	9/2010	Tinius
5,800,571 A	9/1998	Carlson et al.	D624,372 S *	9/2010	Misaki D8/8
5,855,069 A	1/1999	Matsubayashi et al.	D625,159 S	10/2010	Tinius
D412,652 S	8/1999	Durr et al.	D625,160 S	10/2010	Misaki
5,979,064 A	11/1999	Kitz et al.	7,992,308 B1	8/2011	Fisher
5,992,025 A	11/1999	Fricke	D648,194 S	11/2011	Tinius
6,016,604 A	1/2000	Wolf et al.	8,098,036 B2	1/2012	Matsunaga et al.
6,065,214 A	5/2000	Nagashima	D656,370 S	3/2012	Tinius
D427,862 S	7/2000	Yamane et al.	8,127,455 B2	3/2012	Wenckel et al.
6,082,087 A	7/2000	Tada et al.	8,136,254 B2	3/2012	Gieske et al.
6,125,547 A	10/2000	Nagashima	D668,517 S *	10/2012	Landberg D8/8
D446,699 S	8/2001	Marshall et al.	D668,518 S	10/2012	Landberg
6,295,953 B1	10/2001	Ohsawa et al.	D670,144 S	11/2012	Tinius
D457,925 S	5/2002	Grafton	D672,624 S	12/2012	Naas
D460,667 S	7/2002	Waldron	D675,074 S	1/2013	Baxter
D462,882 S	9/2002	Evans	8,350,512 B2	1/2013	Matsunaga et al.
D463,228 S	9/2002	Cooper	D690,569 S	10/2013	Tinius
D463,229 S	9/2002	Gabriel	D691,865 S	10/2013	Wang
D468,600 S	1/2003	Evans	D692,287 S *	10/2013	Tinius D8/61
6,508,004 B2	1/2003	Tezuka et al.	8,549,758 B2	10/2013	Ito et al.
D473,116 S	4/2003	Jong	8,573,323 B2	11/2013	Muller et al.
D474,947 S	5/2003	Holmdahl et al.	D702,630 S *	4/2014	Tinius D13/103
6,637,117 B2	10/2003	Kobayashi	D712,215 S *	9/2014	Tajik D8/8
D487,216 S *	3/2004	Arvidsson D8/61	D731,268 S	6/2015	Aglassinger
6,701,623 B2	3/2004	Sanders	2002/0124837 A1	9/2002	Maier et al.
6,735,873 B2	5/2004	Langhans et al.	2002/0129502 A1	9/2002	Durr et al.
D505,602 S	5/2005	Houghton	2003/0051351 A1	3/2003	Buchholtz et al.
D505,844 S	6/2005	Houghton	2003/0183187 A1	10/2003	Menzel et al.
D506,653 S	6/2005	Elsworthy	2004/0103857 A1	6/2004	Kruse
6,918,451 B2	7/2005	Nagashima et al.	2005/0050867 A1	3/2005	Taomo et al.
D510,512 S	10/2005	Robson	2006/0112683 A1	6/2006	Huber
6,973,726 B2	12/2005	Kramer	2007/0101581 A1	5/2007	Carls
D519,336 S	4/2006	Ono et al.	2007/0180705 A1	8/2007	Chiu
D522,818 S	6/2006	Andriolo	2010/0313430 A1	12/2010	Yamaoka
D530,163 S	10/2006	Xue-Feng	2011/0241457 A1 *	10/2011	Muller A01D 34/902 310/50
7,168,132 B2	1/2007	Durr et al.			
D543,805 S	6/2007	Houghton	2012/0227270 A1 *	9/2012	Ito A01D 34/4167 30/286
D551,921 S	10/2007	Houghton	2013/0047802 A1 *	2/2013	Vierck A01D 34/416 81/489
D560,983 S	2/2008	Tinius			
D563,740 S	3/2008	Andriolo	2014/0182143 A1	7/2014	Morita
D563,747 S	3/2008	Tinius	2014/0208597 A1	7/2014	Zhou
D566,491 S	4/2008	Martin et al.	2014/0259692 A1	9/2014	Racov

* cited by examiner

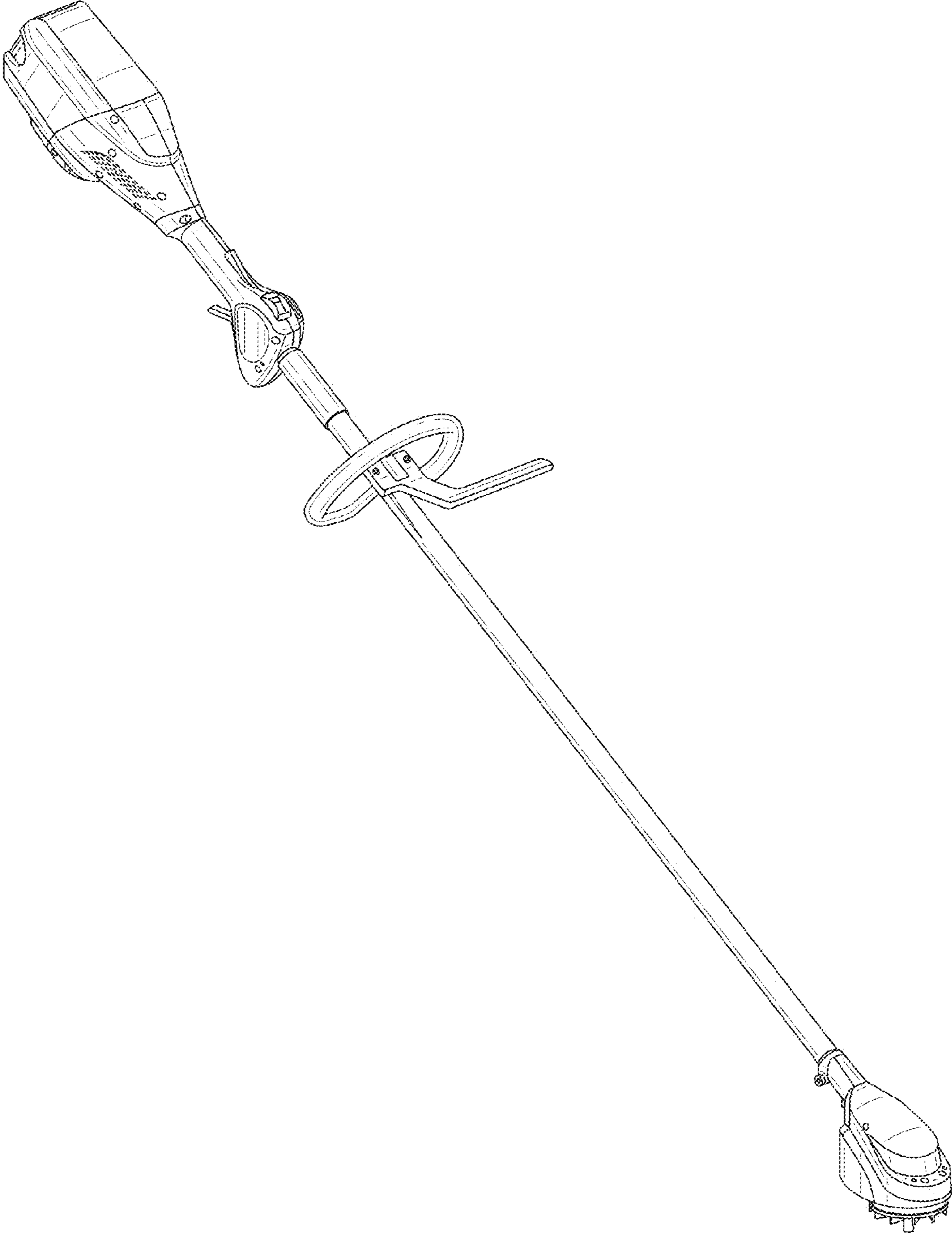


FIG. 1

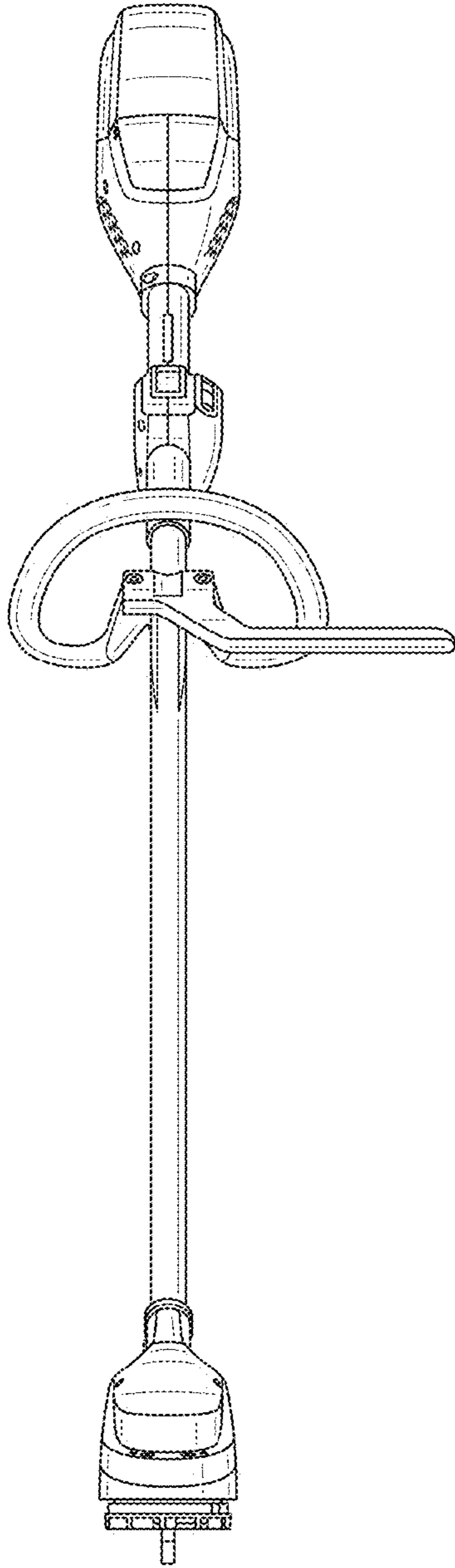


FIG. 2

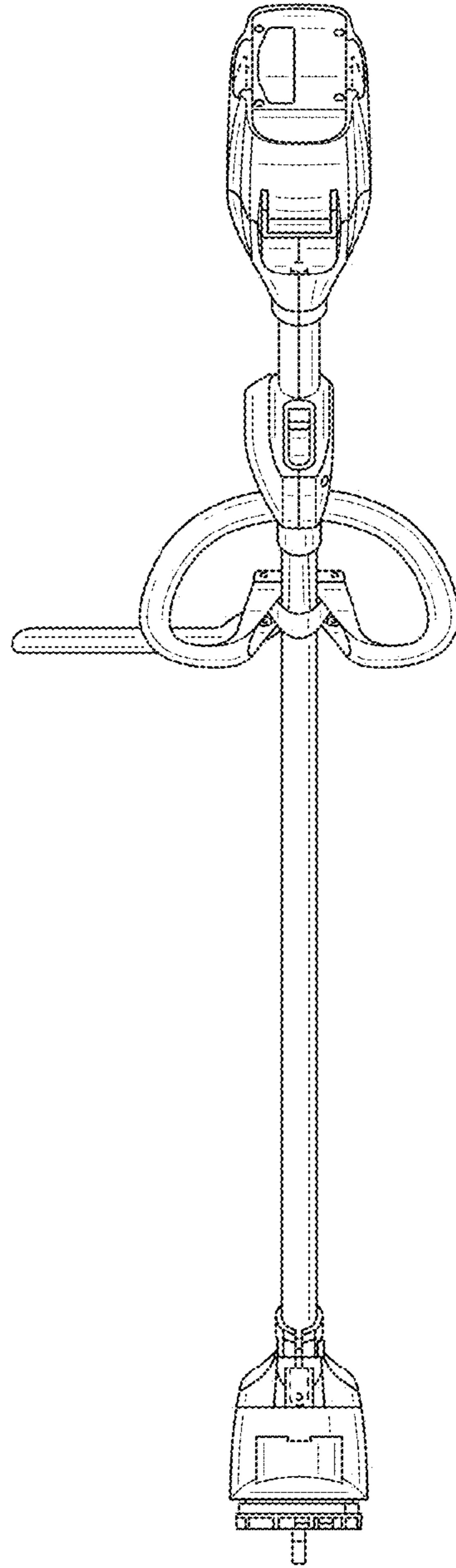


FIG. 3

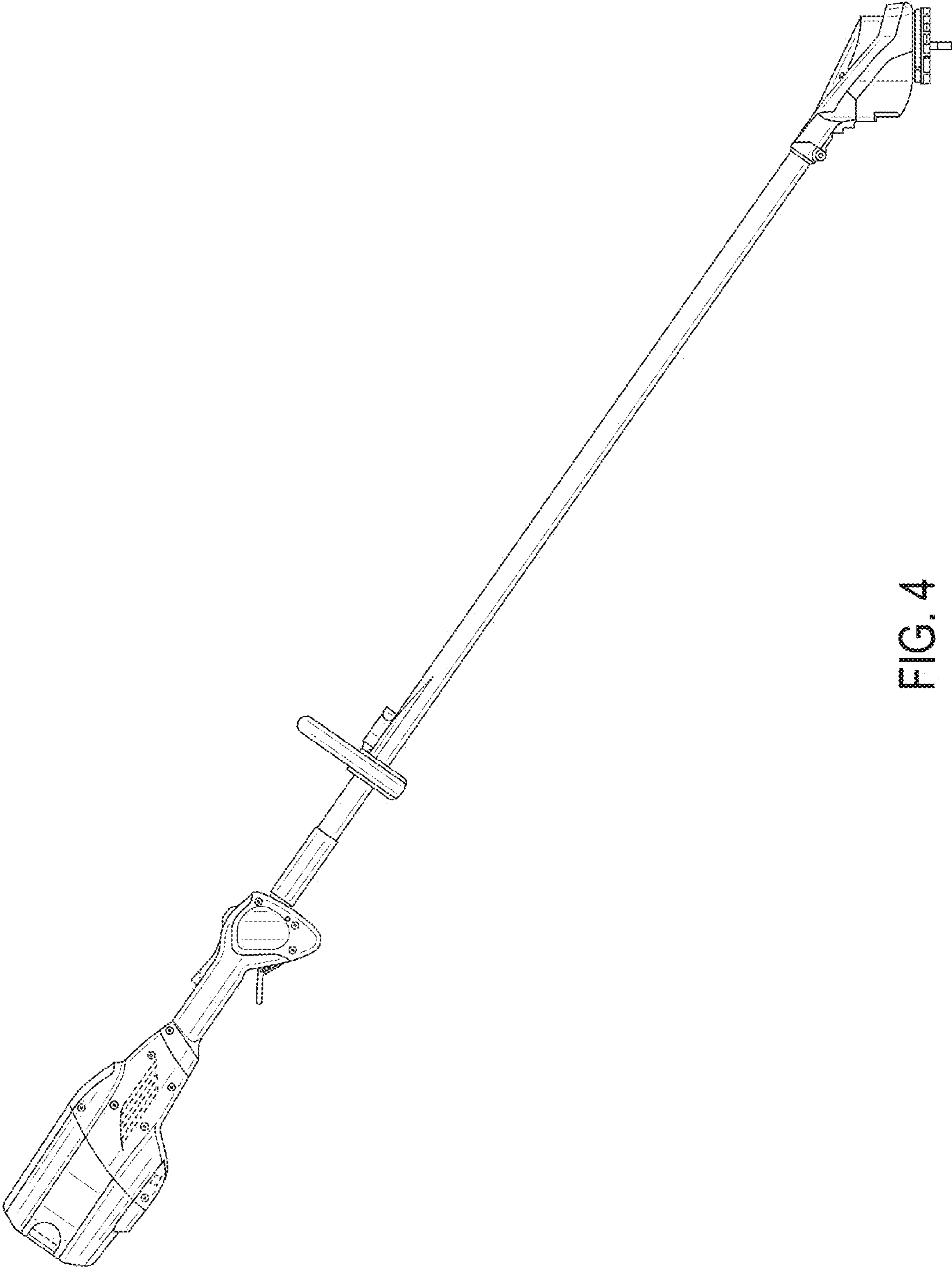


FIG. 4

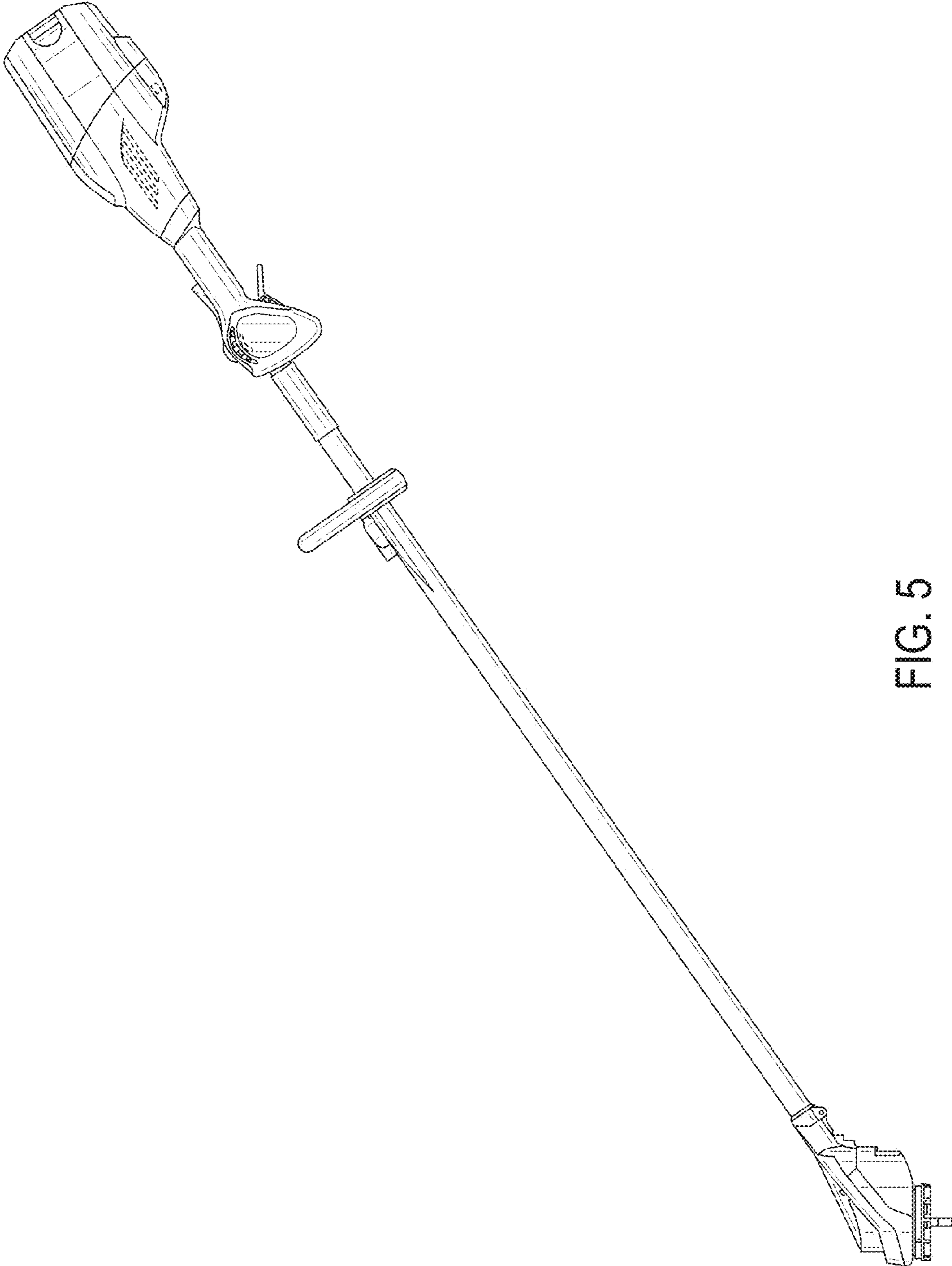


FIG. 5

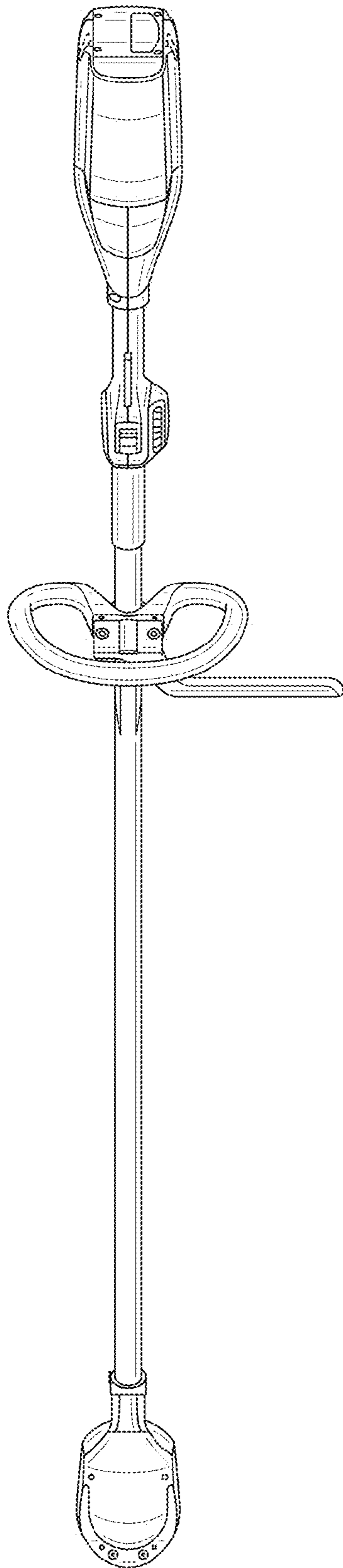


FIG. 6

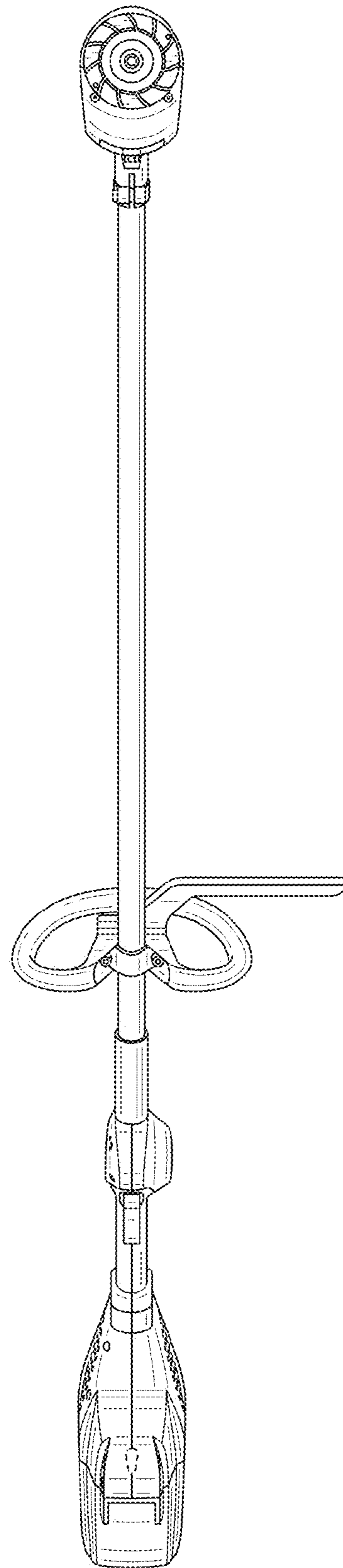


FIG. 7