



US00D758149S

(12) **United States Design Patent**
Wong

(10) **Patent No.:** **US D758,149 S**
(45) **Date of Patent:** **** Jun. 7, 2016**

(54) **FOOD CUTTING DEVICE**

(71) Applicant: **Yan Kwong Wong**, Kowloon (HK)

(72) Inventor: **Yan Kwong Wong**, Kowloon (HK)

(**) Term: **14 Years**

(21) Appl. No.: **29/500,160**

(22) Filed: **Aug. 21, 2014**

| | | | | | |
|--------------|------|---------|---------|-------|----------------------|
| 8,863,391 | B2 * | 10/2014 | Bagley | | B26D 1/547 30/114 |
| 9,079,323 | B2 * | 7/2015 | Hauser | | B26D 1/30 |
| 2009/0019705 | A1 * | 1/2009 | Aby-Eva | | A47J 9/003 30/117 |
| 2009/0205514 | A1 * | 8/2009 | Cheng | | A47J 25/00 99/565 |
| 2010/0224041 | A1 * | 9/2010 | Melton | | B26D 1/09 83/13 |
| 2012/0102760 | A1 * | 5/2012 | Hauser | | B26D 3/26 30/302 |
| 2013/0025130 | A1 * | 1/2013 | Bagley | | B26D 1/547 30/114 |

(30) **Foreign Application Priority Data**

Feb. 24, 2014 (HK) 1400329

(51) **LOC (10) CL.** **07-06**

(52) **U.S. CL.**
USPC **D7/693**

(58) **Field of Classification Search**
USPC 30/114, 152, 213, 279.2, 294, 299, 302,
30/303, 381; D7/693, 667, 213, 381, 665,
D7/669, 672, 688; D8/98; D10/46.2;
83/13; 99/537

See application file for complete search history.

(56) **References Cited**

U.S. PATENT DOCUMENTS

| | | | | | |
|-----------|------|---------|-------------|-------|------------------------|
| 5,337,480 | A * | 8/1994 | Codikow | | B26D 1/0006 30/114 |
| D415,937 | S * | 11/1999 | Robinson | | D7/673 |
| D432,874 | S * | 10/2000 | Kari | | D7/673 |
| D473,109 | S * | 4/2003 | Birchansky | | D7/673 |
| D508,637 | S * | 8/2005 | Lee | | D7/673 |
| D521,819 | S * | 5/2006 | So | | D7/673 |
| D605,478 | S * | 12/2009 | Melton | | D7/673 |
| D648,989 | S * | 11/2011 | Coursey | | D7/673 |
| D649,413 | S * | 11/2011 | Coursey | | D7/673 |
| 8,046,921 | B2 * | 11/2011 | Mastroianni | | A47J 25/00 30/113.2 |
| D687,267 | S * | 8/2013 | Harris | | D7/673 |
| D690,170 | S * | 9/2013 | Harris | | D7/673 |
| D702,512 | S * | 4/2014 | Harris | | D7/673 |
| 8,726,521 | B2 * | 5/2014 | Hauser | | B26D 3/26 30/114 |
| D716,109 | S * | 10/2014 | De Luca | | D7/672 |

FOREIGN PATENT DOCUMENTS

EM 002421958-0001 * 3/2014

* cited by examiner

Primary Examiner — Thomas Johannes

Assistant Examiner — S. Bryan Reinholdt, Jr.

(74) *Attorney, Agent, or Firm* — Misikin & Tsui-Yip LLP;
Gloria Tsui-Yip

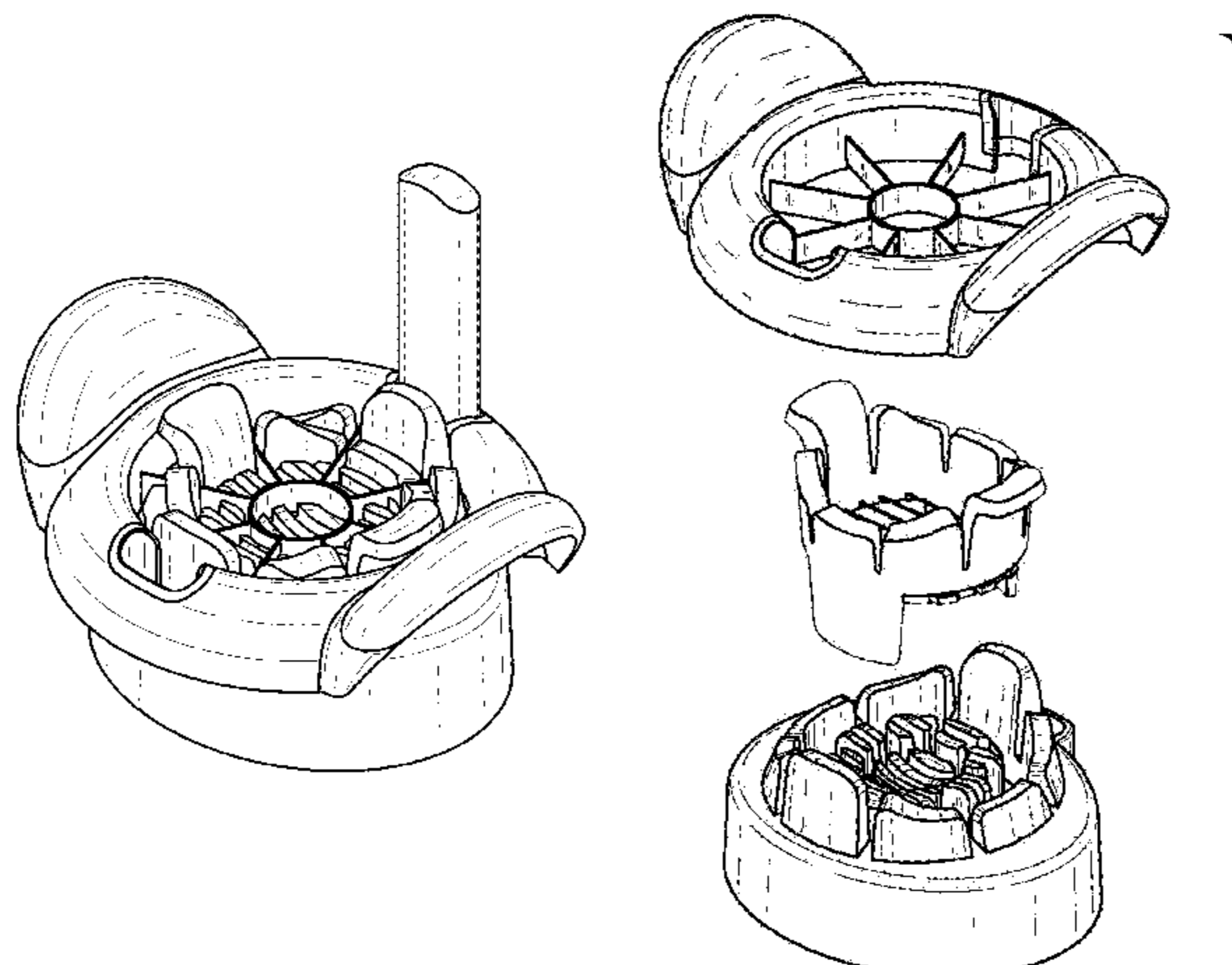
(57) **CLAIM**

The ornamental design for a food cutting device, as shown and described.

DESCRIPTION

FIG. 1 is a front elevational view of a food cutting device showing my new design;
 FIG. 2 is a rear elevational view thereof;
 FIG. 3 is a top plan view thereof;
 FIG. 4 is a bottom plan view thereof;
 FIG. 5 is a left side view thereof;
 FIG. 6 is a right side view thereof;
 FIG. 7 is a perspective view thereof;
 FIG. 8 is a another perspective view thereof;
 FIG. 9 is an exploded perspective view showing the top and bottom components and without the middle component;
 FIG. 10 is another exploded perspective view thereof; and,
 FIG. 11 is an exploded perspective view showing the top, middle and bottom components without a connector rod.
 The broken line portion of the figure drawings is included to show portions of the article that forms no part of the claimed design.

1 Claim, 10 Drawing Sheets



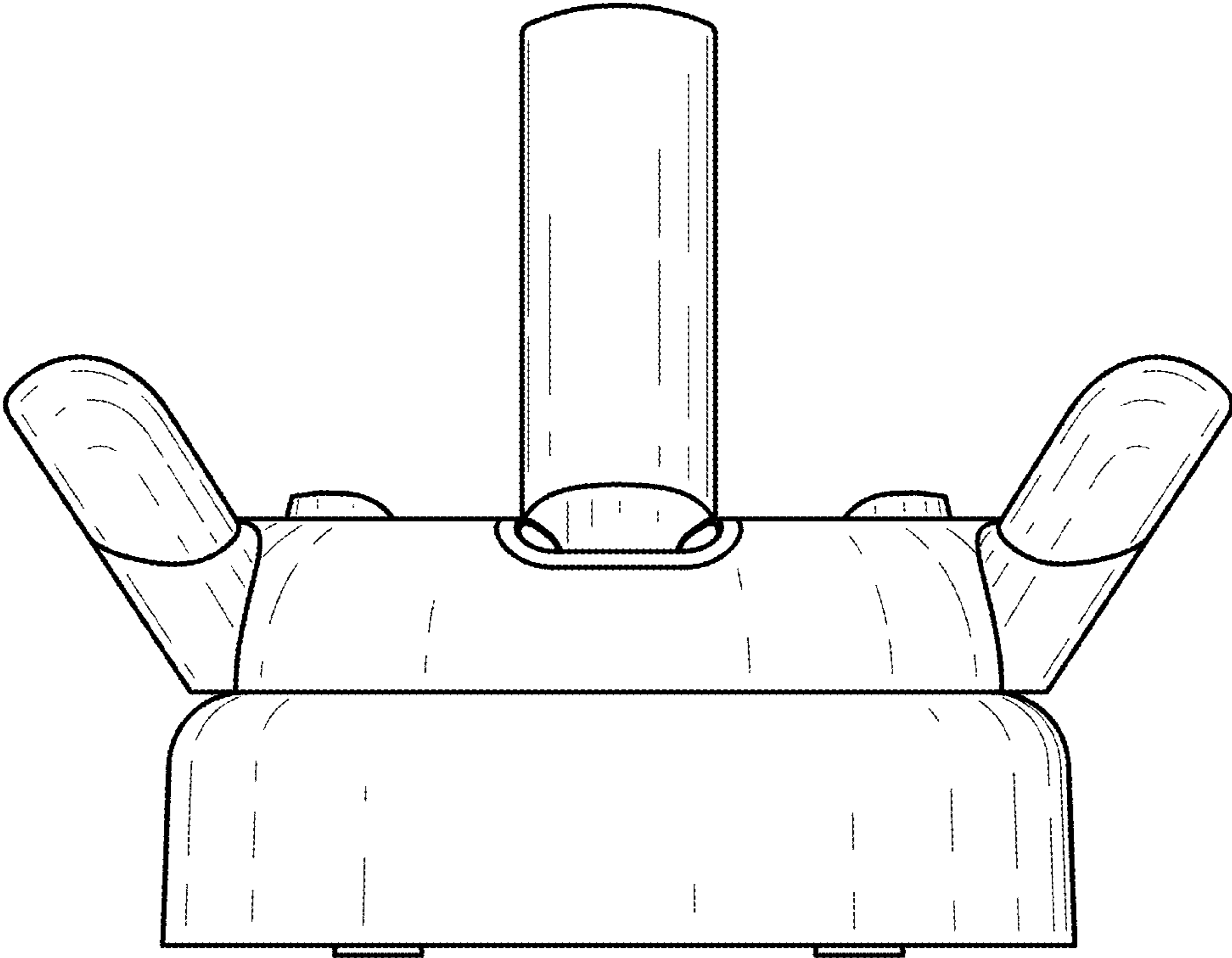


Fig.1

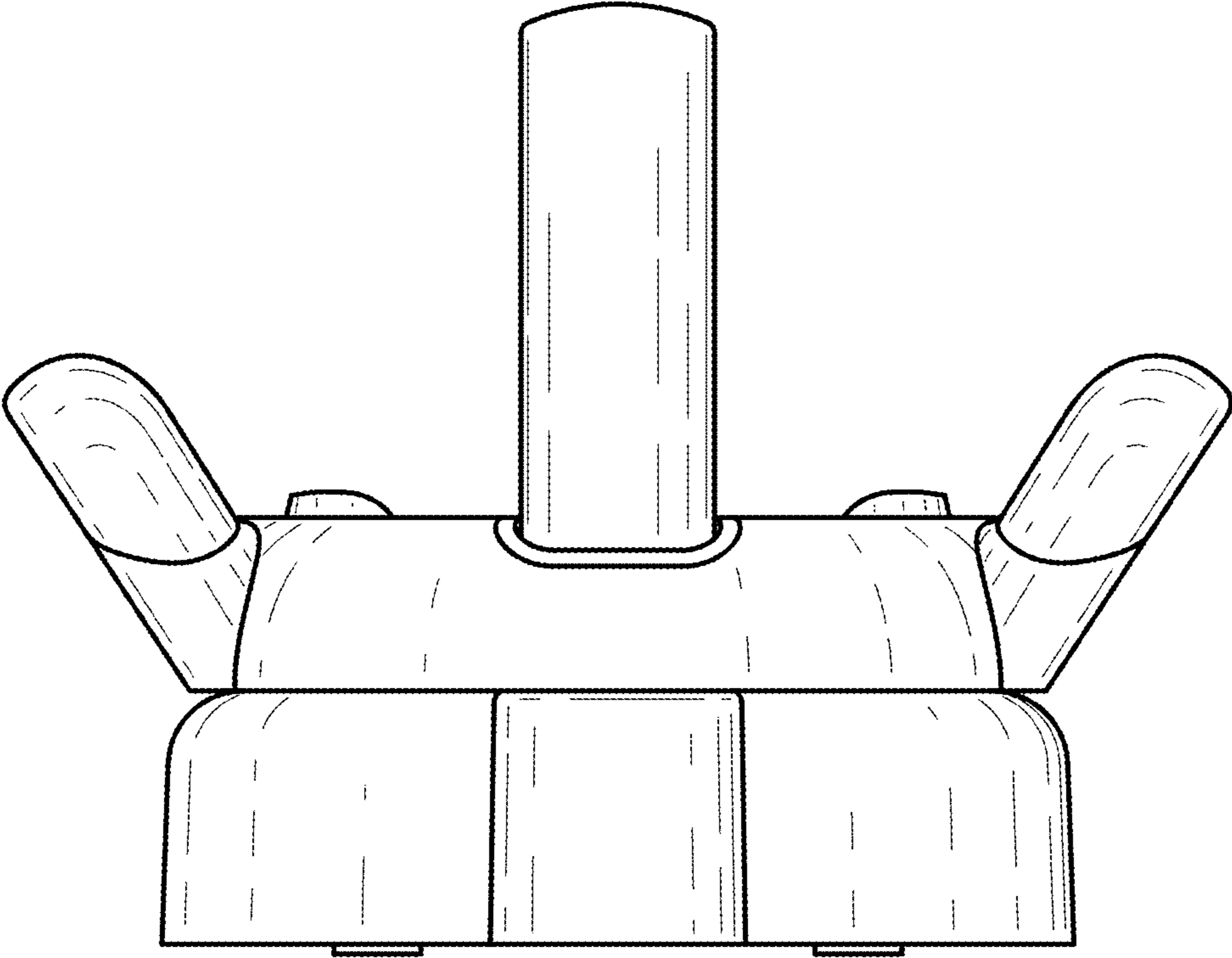


Fig.2

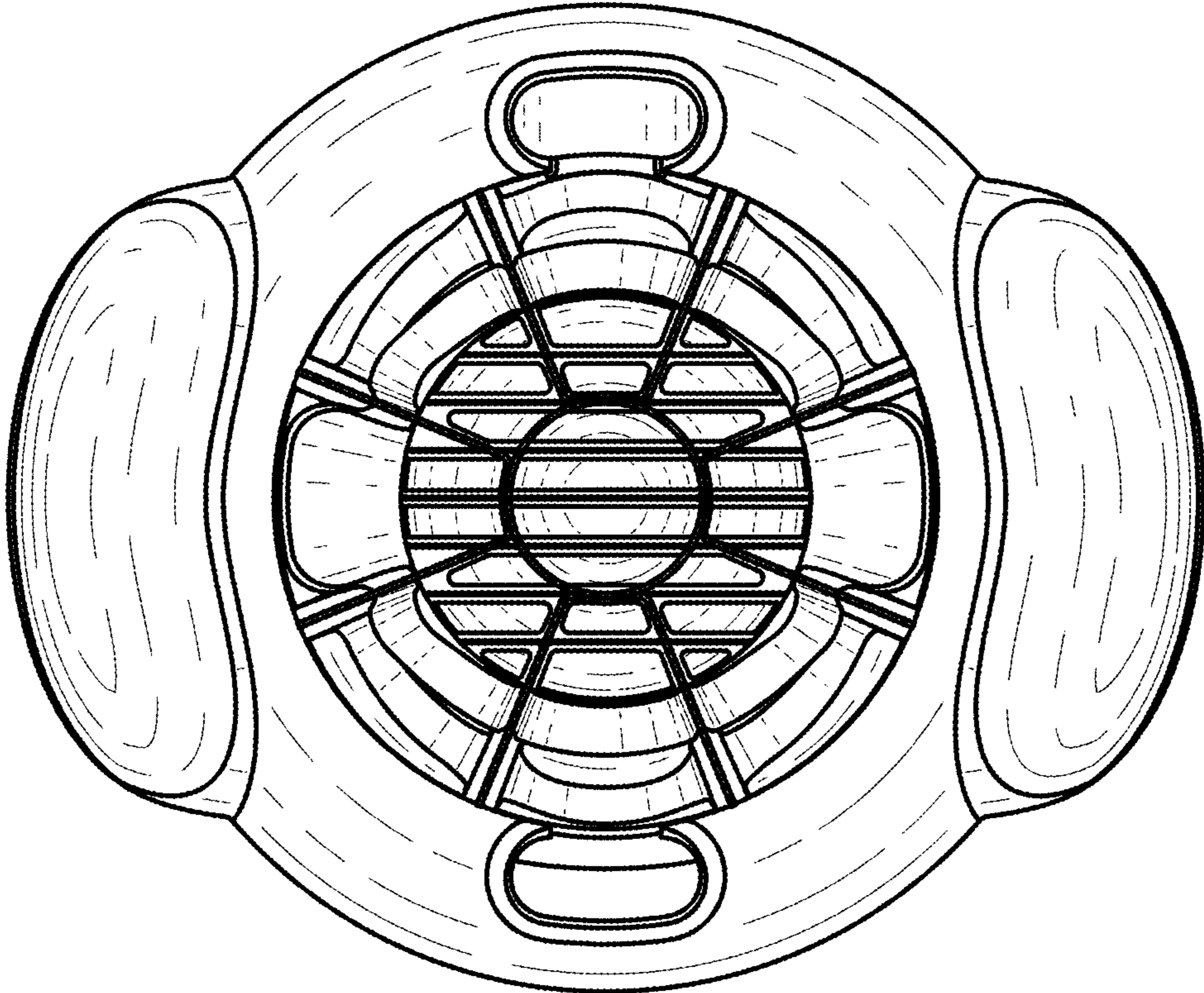


Fig.3

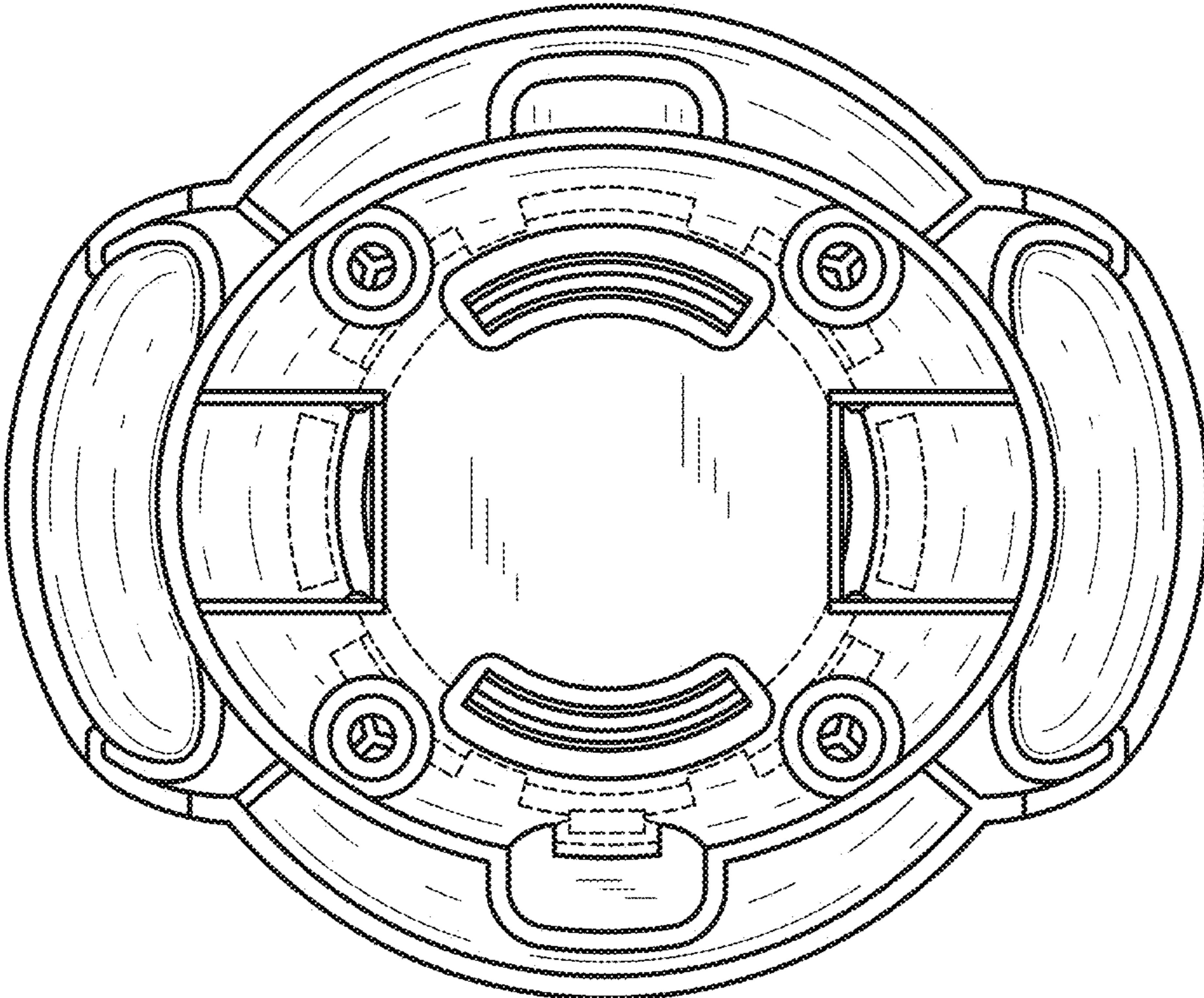


Fig.4

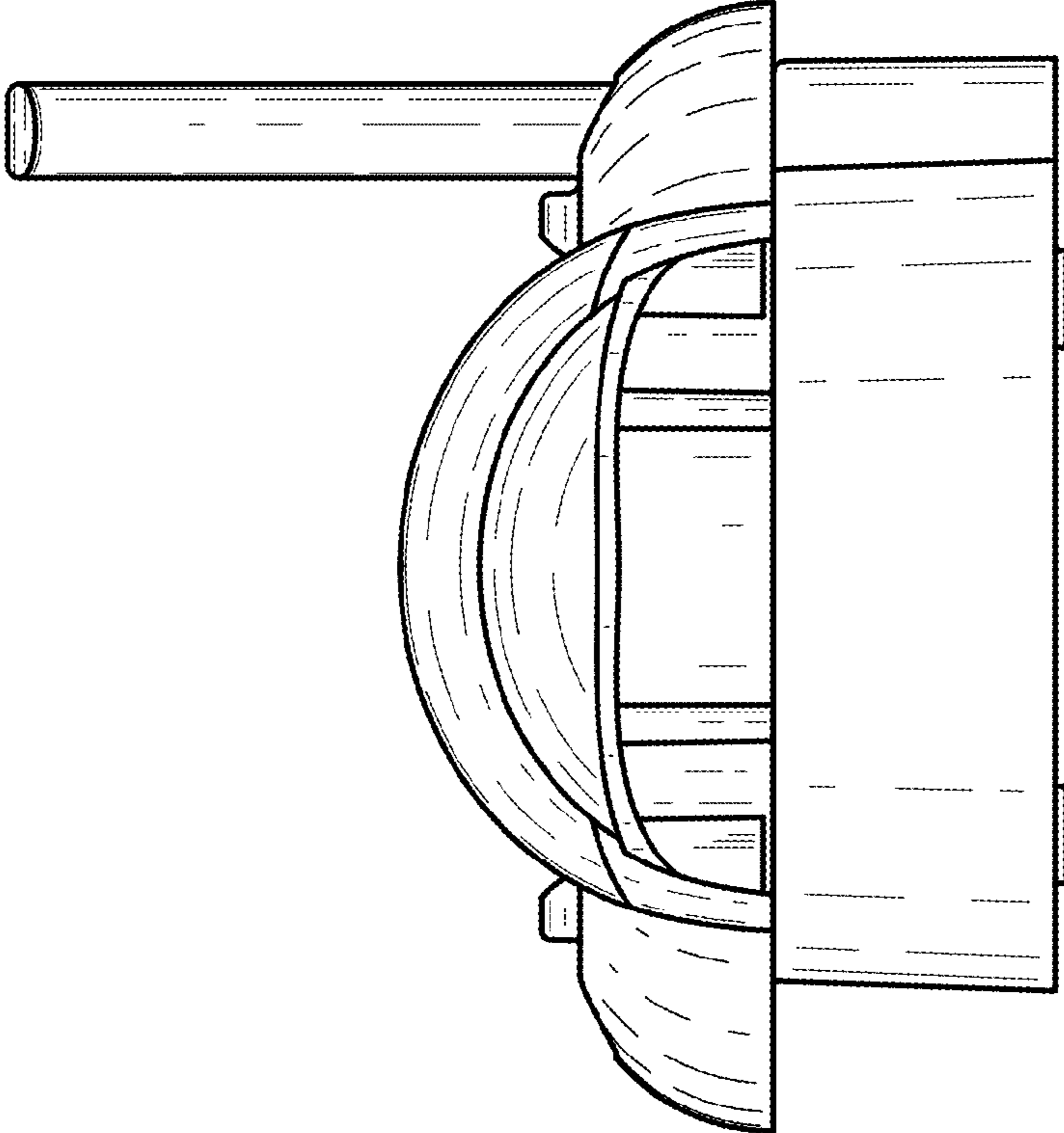


Fig. 5

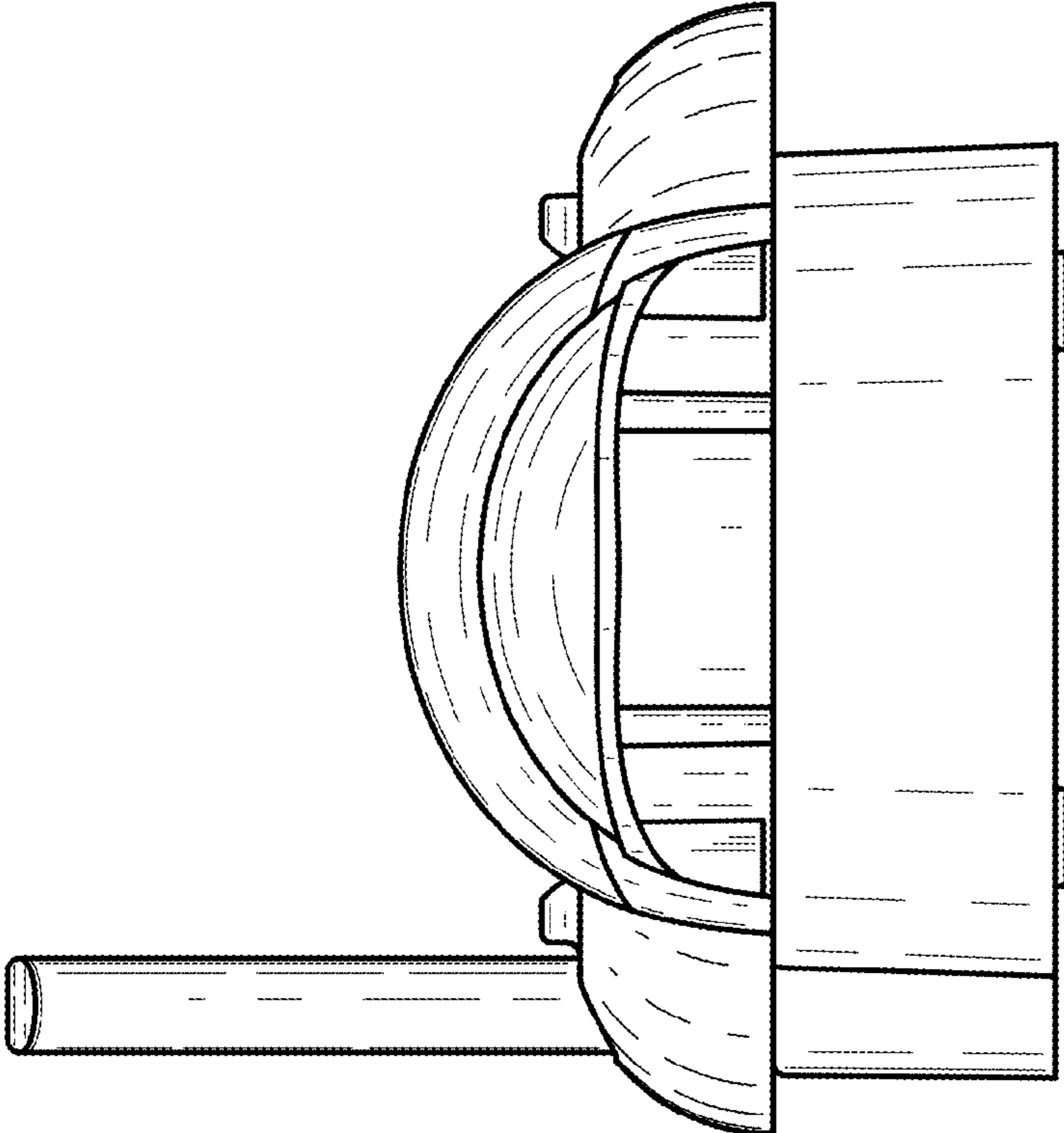


Fig. 6

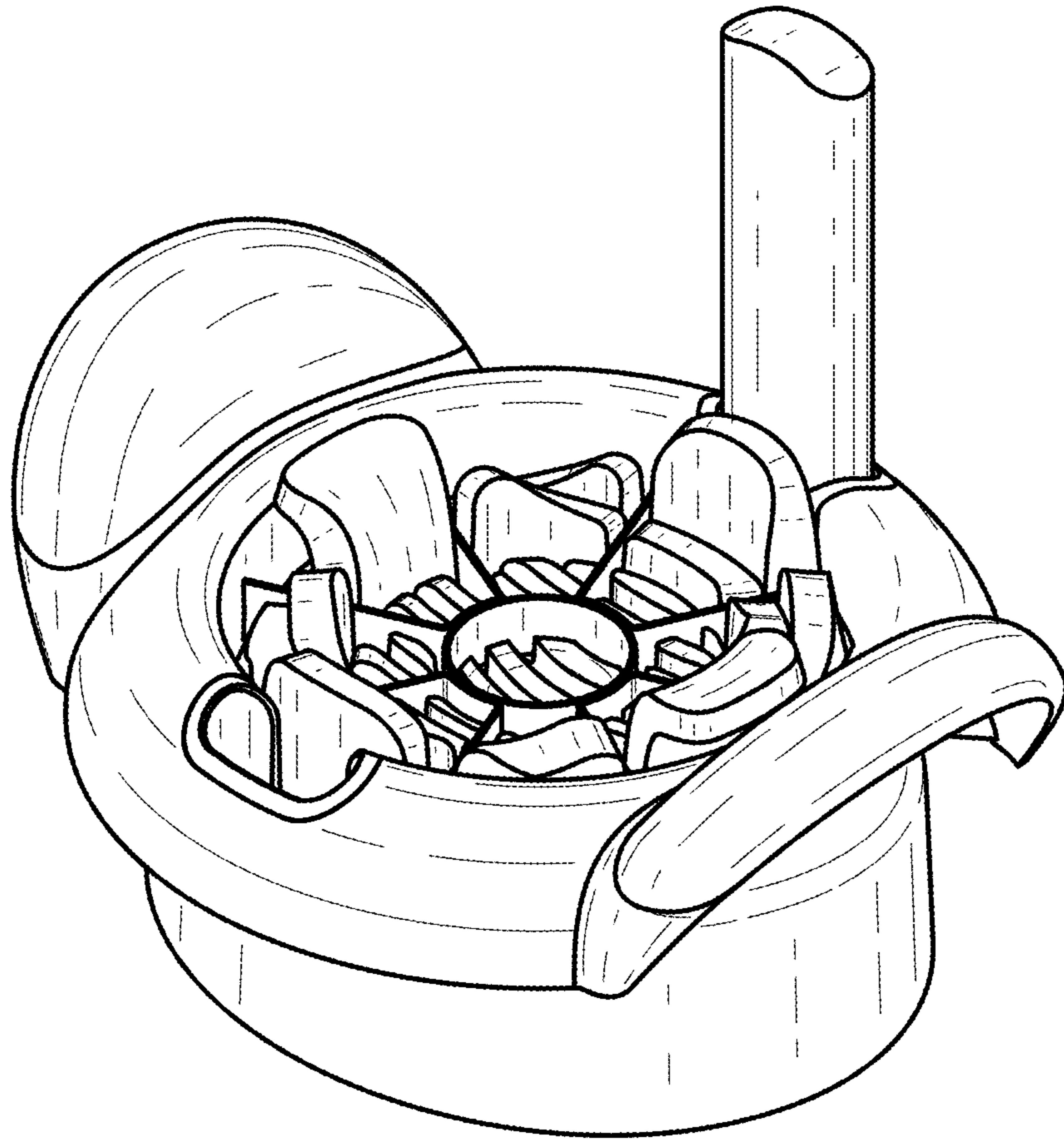


Fig.7

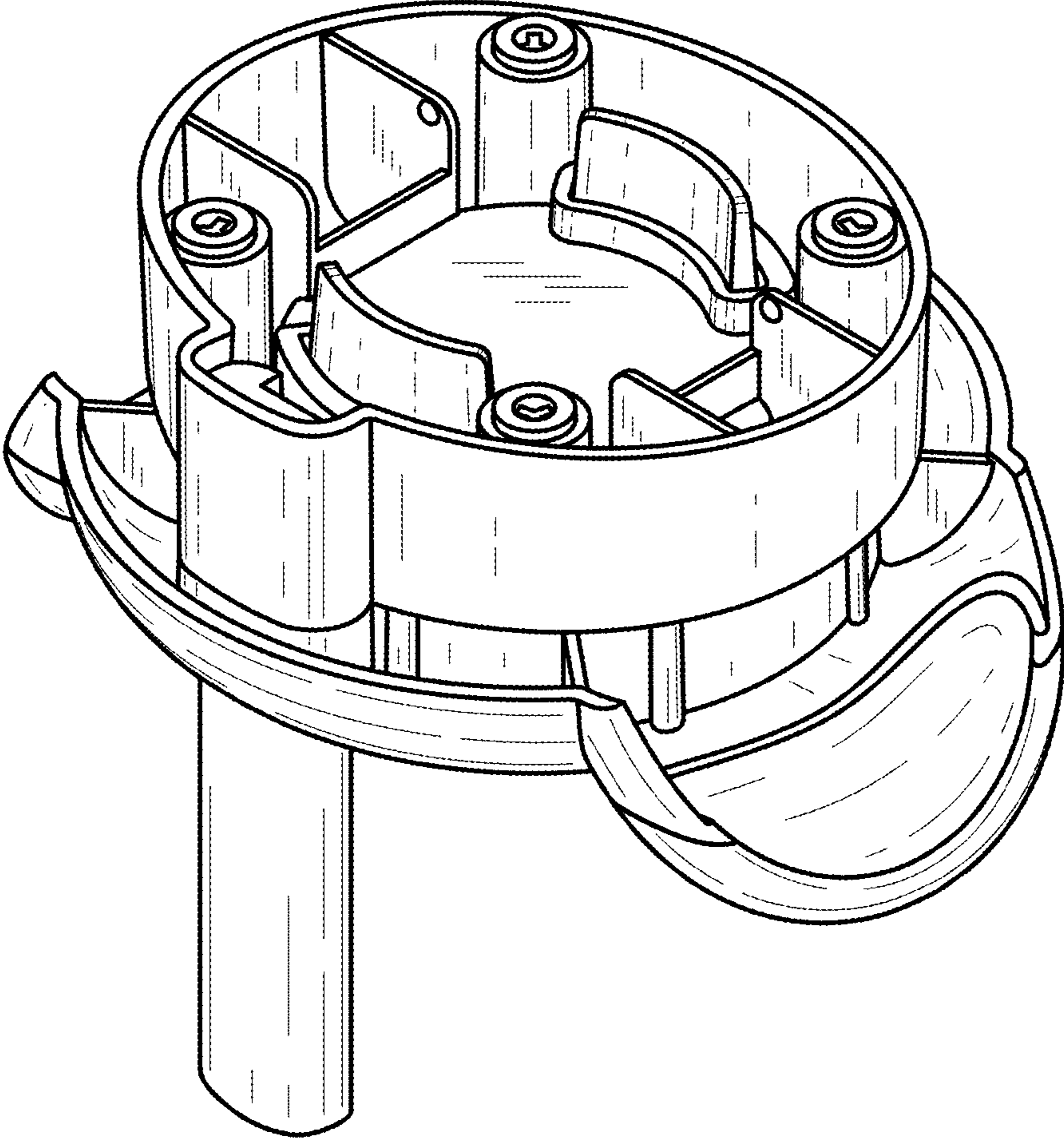


Fig.8

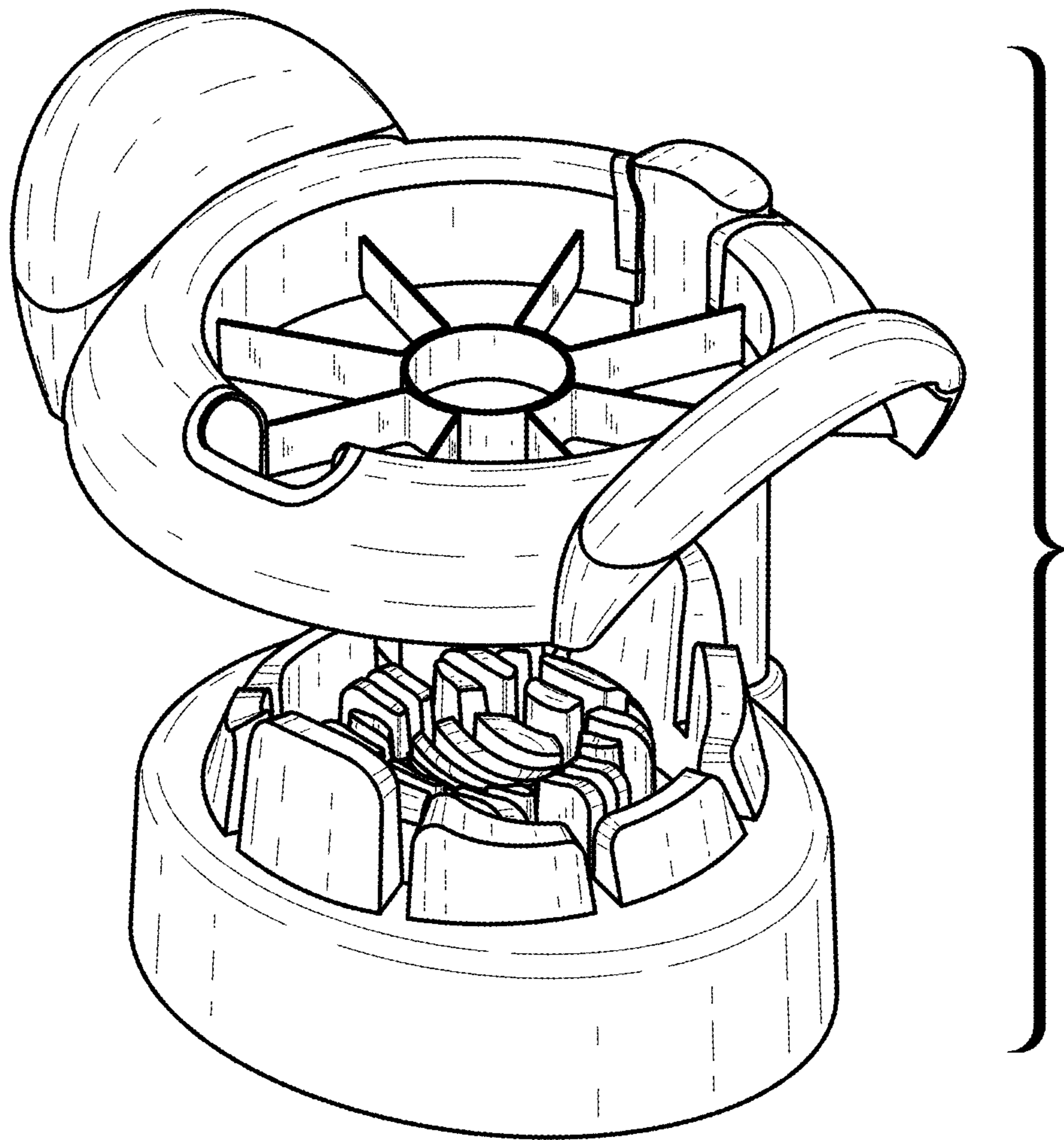


Fig.9

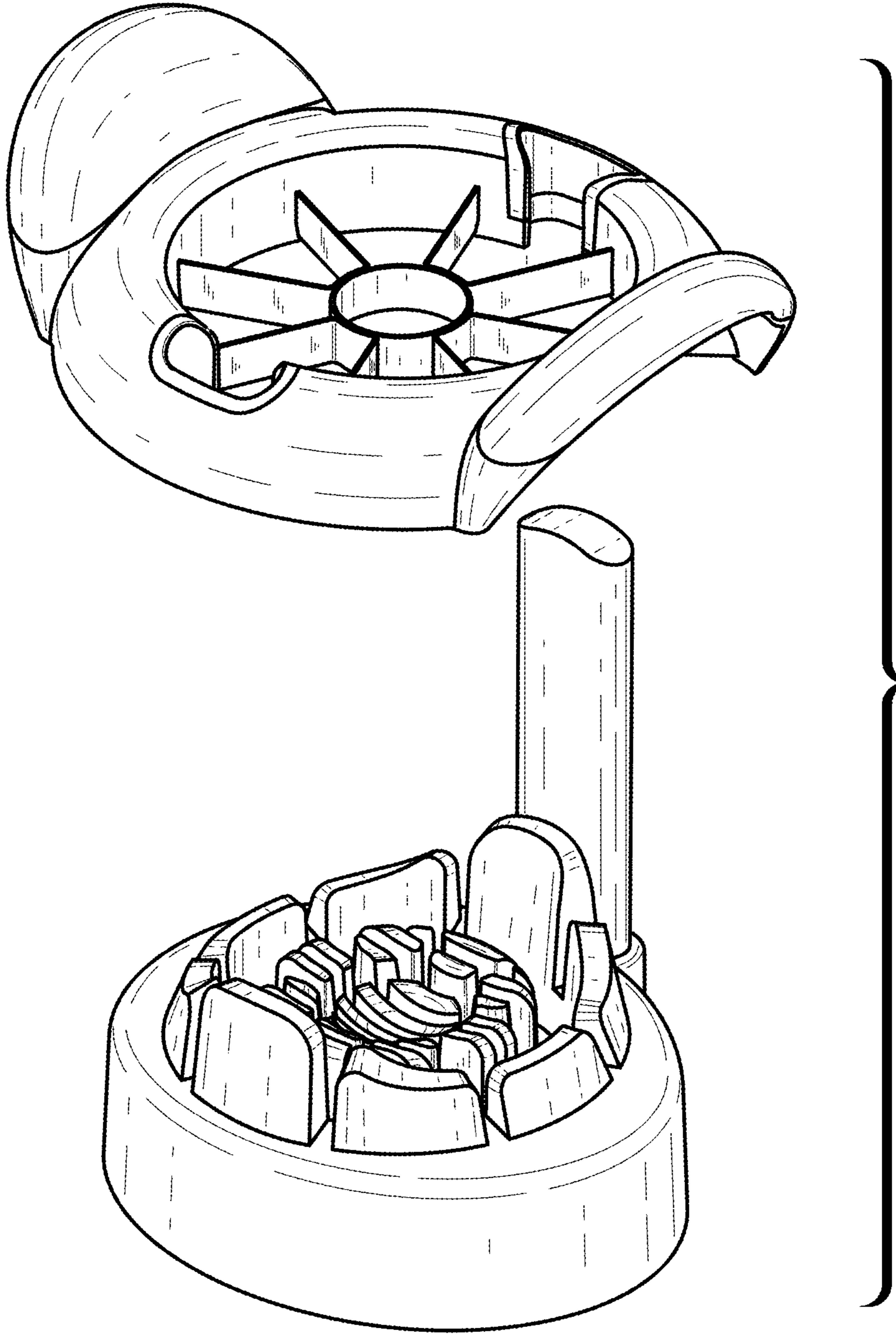


Fig.10

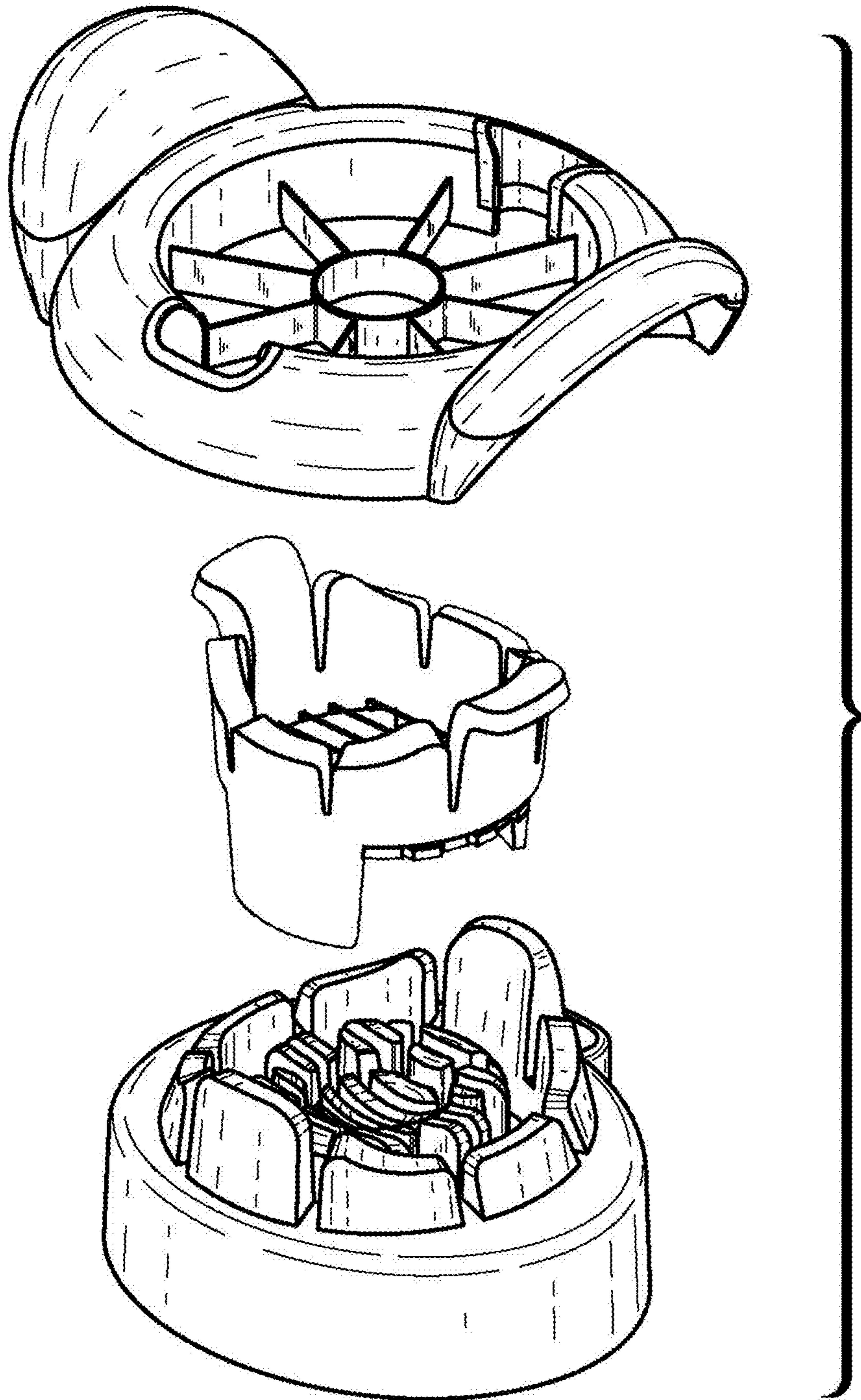


Fig.11