



US00D758146S

(12) **United States Design Patent**  
**Venot et al.**

(10) **Patent No.:** **US D758,146 S**  
(45) **Date of Patent:** **\*\* Jun. 7, 2016**

- (54) **KITCHEN TONGS/SPATULA**
- (71) Applicant: **MASTRAD, S.A.**, Paris (FR)
- (72) Inventors: **Marc Venot**, Saint Ouen (FR); **Mathieu Lion**, Paris (FR)
- (73) Assignee: **MASTRAD, S.A.**, Paris (FR)
- (\*\*) Term: **14 Years**
- (21) Appl. No.: **29/499,833**
- (22) Filed: **Aug. 19, 2014**
- (30) **Foreign Application Priority Data**

D341,998	S *	12/1993	Tanfoglio	.....	D7/686
D496,229	S *	9/2004	Kaposi	.....	D7/686
7,448,660	B2 *	11/2008	Yamanaka	.....	A47J 43/283 294/16
7,458,622	B2 *	12/2008	Tardif	.....	A47J 43/283 294/16
2001/0033083	A1 *	10/2001	Kaposi	.....	A47G 21/10 294/99.2
2005/0253404	A1 *	11/2005	Kerr	.....	A47G 21/10 294/16
2011/0193364	A1 *	8/2011	Jossem	.....	A47J 43/283 294/99.2

\* cited by examiner

*Primary Examiner* — Terry Wallace

(74) *Attorney, Agent, or Firm* — Karish & Bjorgum, PC

- Feb. 24, 2014 (EM) ..... 002411017-00001
- (51) **LOC (10) Cl.** ..... **07-06**
- (52) **U.S. Cl.**  
USPC ..... **D7/686**
- (58) **Field of Classification Search**  
USPC ..... D7/680–696, 393, 395  
CPC ..... A47J 43/283; A47G 21/10; A47G 21/103;  
A47G 21/106  
See application file for complete search history.

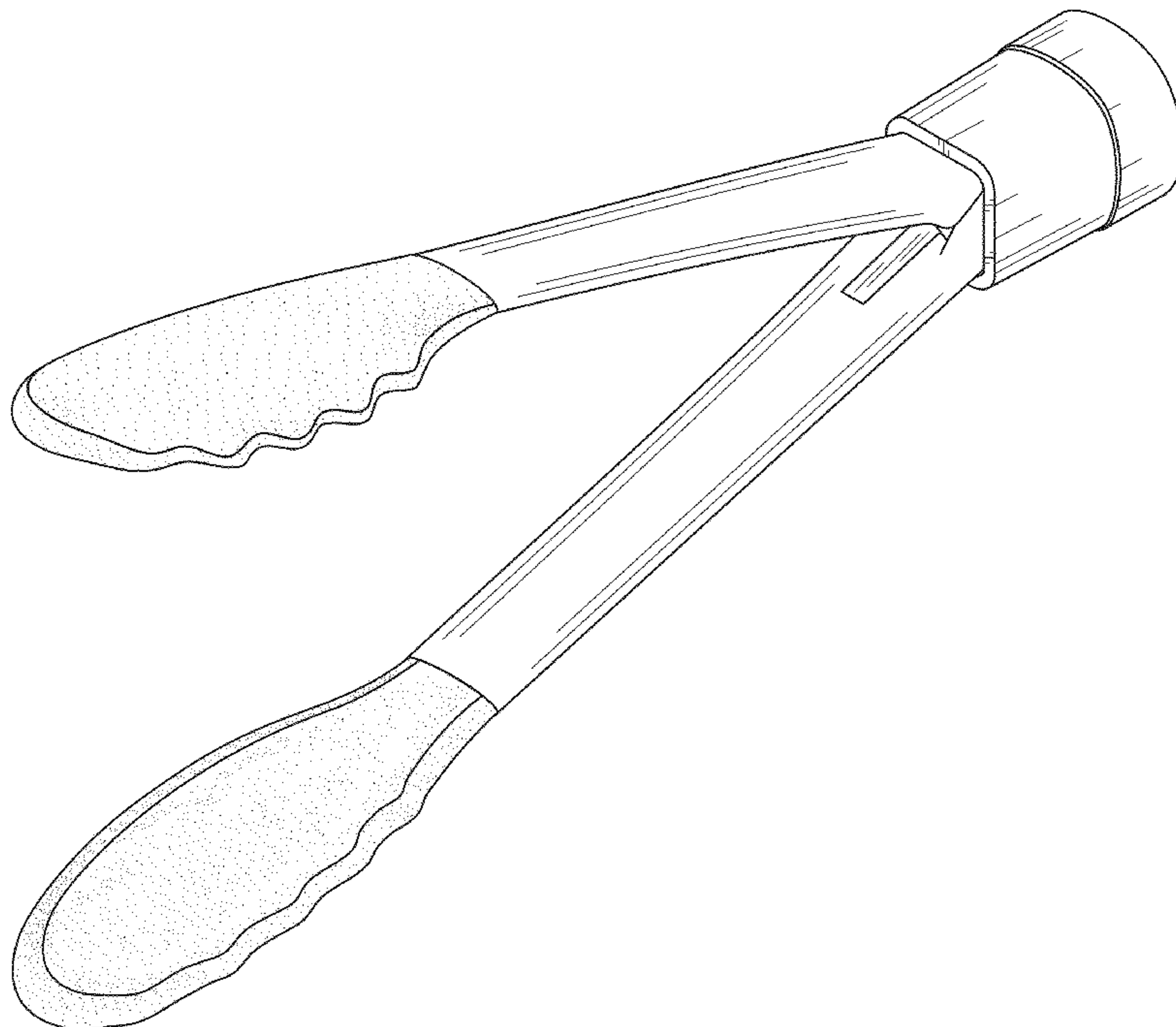
(57) **CLAIM**  
The ornamental design for a kitchen tongs/spatula, as shown and described.

**DESCRIPTION**

FIG. 1 is a perspective view of the kitchen tongs/spatula;  
FIG. 2 is front view of the kitchen tongs/spatula;  
FIG. 3 is back view of the kitchen tongs/spatula;  
FIG. 4 is a left side view of the kitchen tongs/spatula, the right side view being a mirror image thereof;  
FIG. 5 is a top view of the kitchen tongs/spatula; and,  
FIG. 6 is a bottom view of the kitchen tongs/spatula.  
FIG. 7 is a perspective view of the kitchen tongs.

- (56) **References Cited**  
U.S. PATENT DOCUMENTS  
4,768,288 A \* 9/1988 Culbertson ..... A47G 21/02  
294/131  
D327,610 S \* 7/1992 Loechel ..... D7/686

**1 Claim, 6 Drawing Sheets**



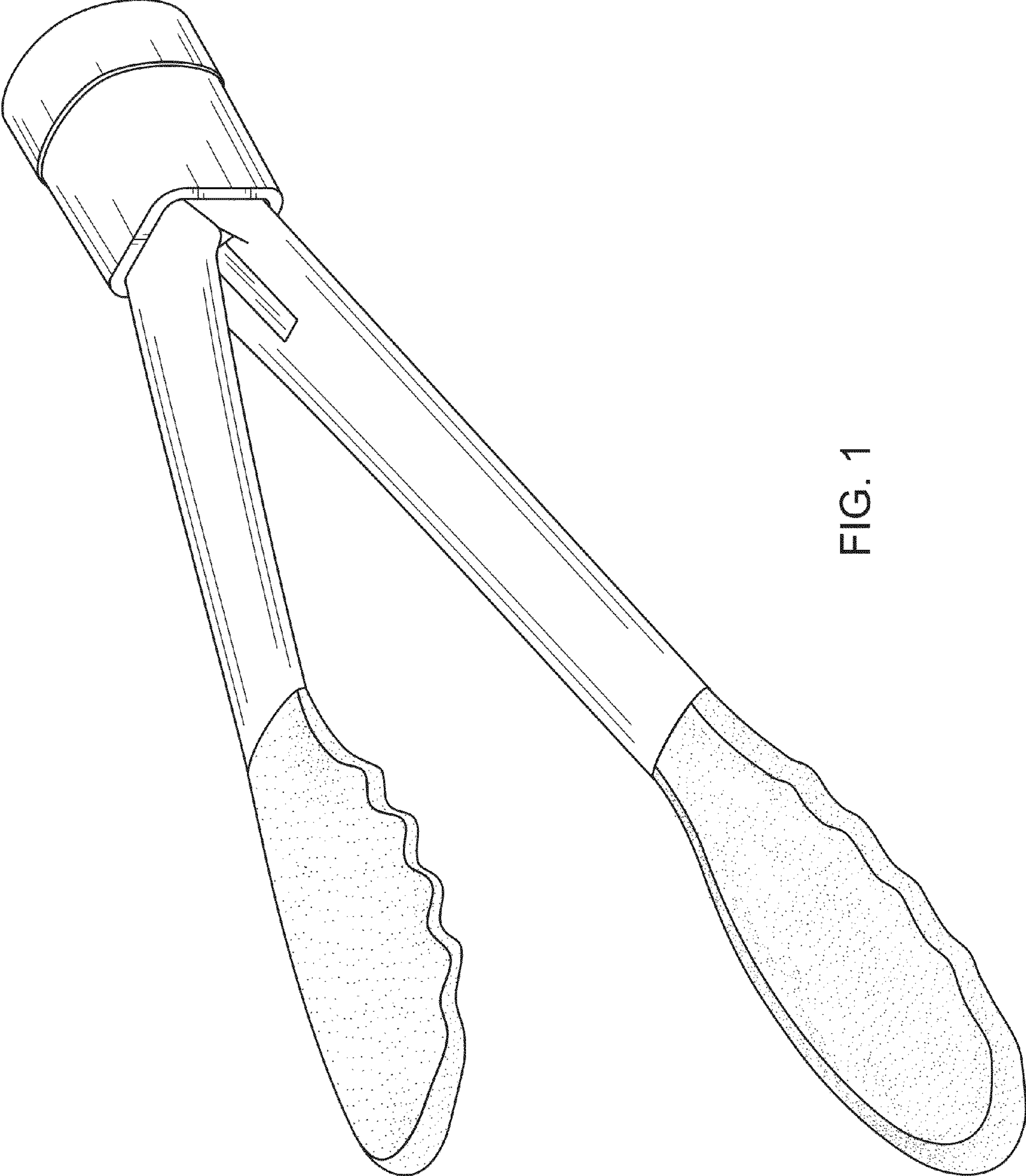


FIG. 1

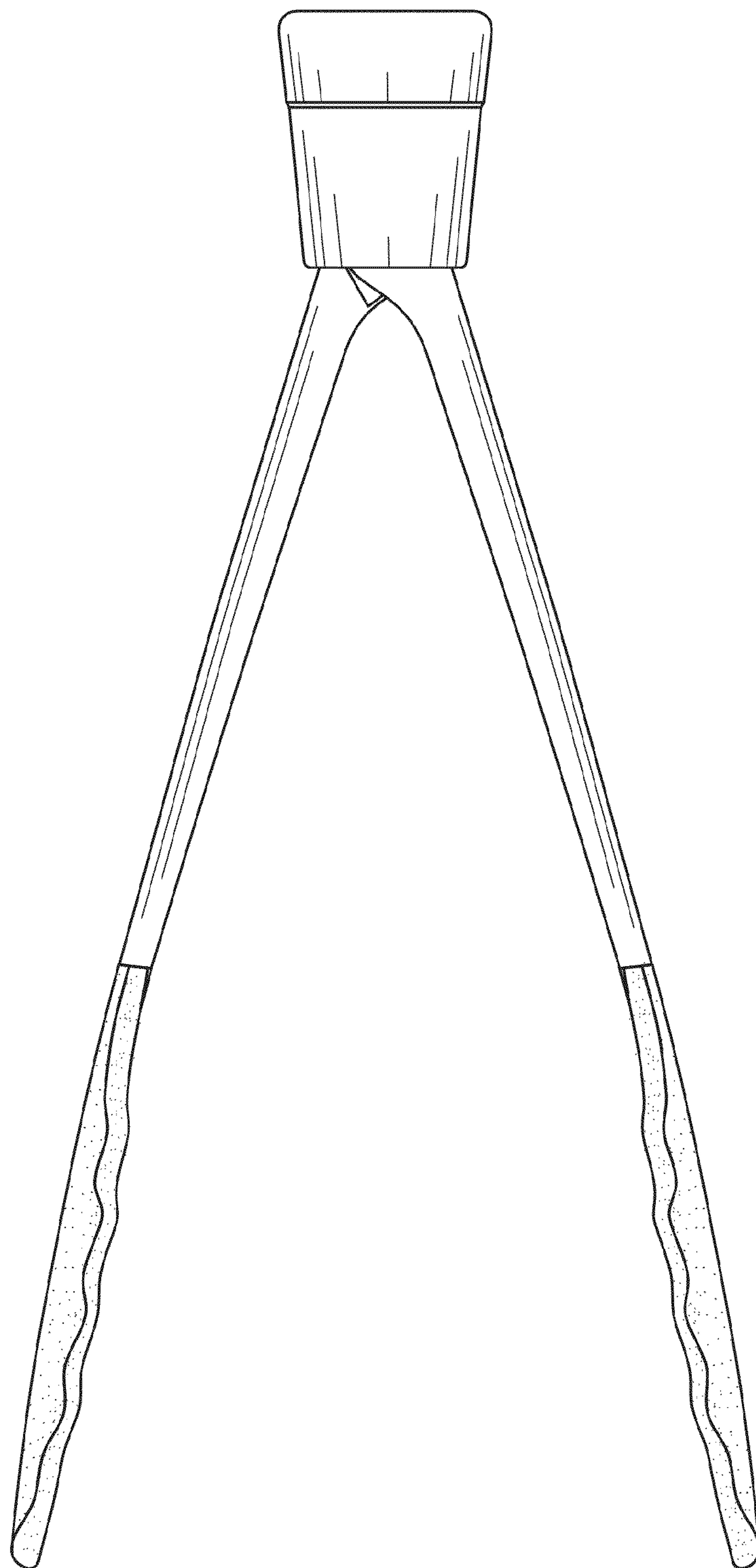


FIG. 2

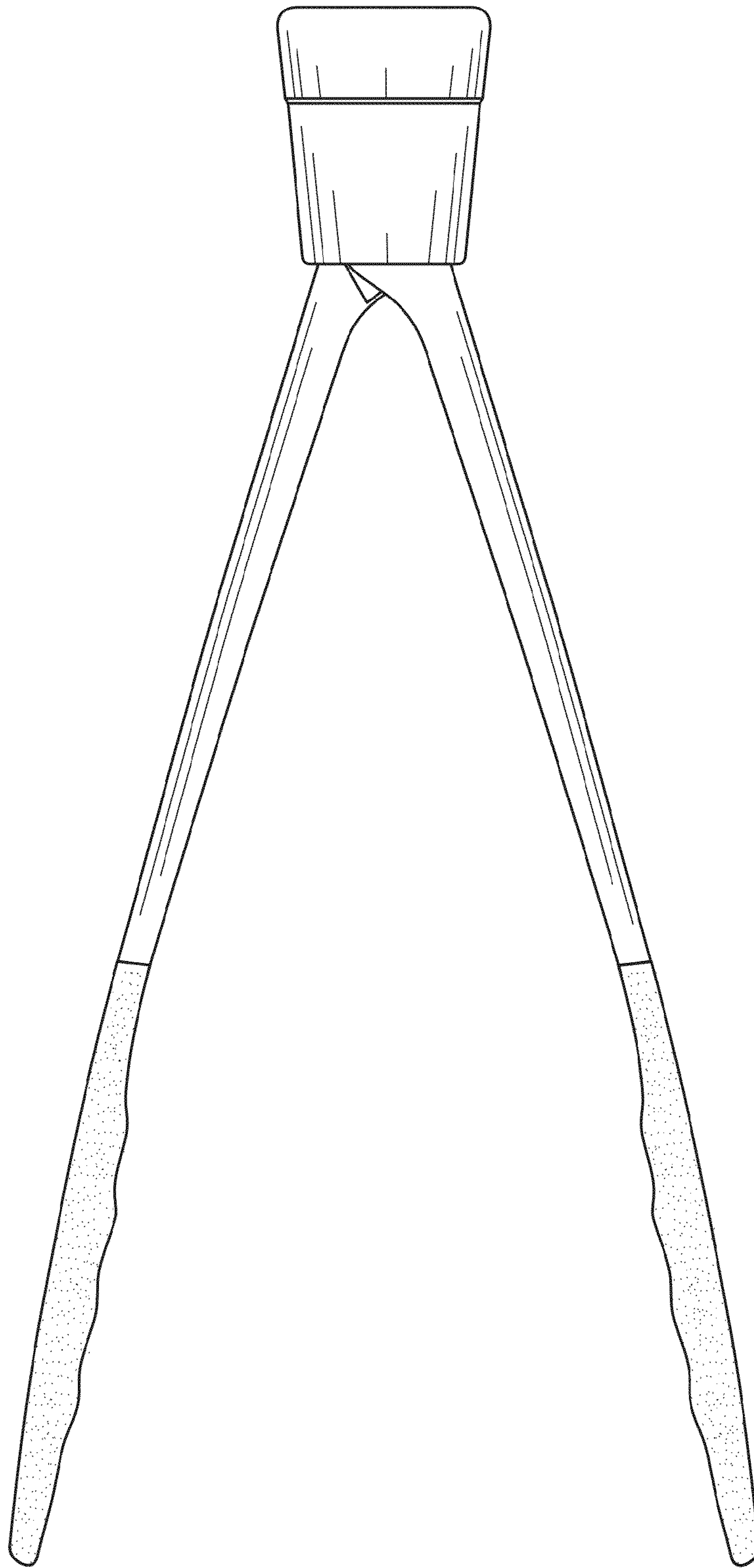


FIG. 3

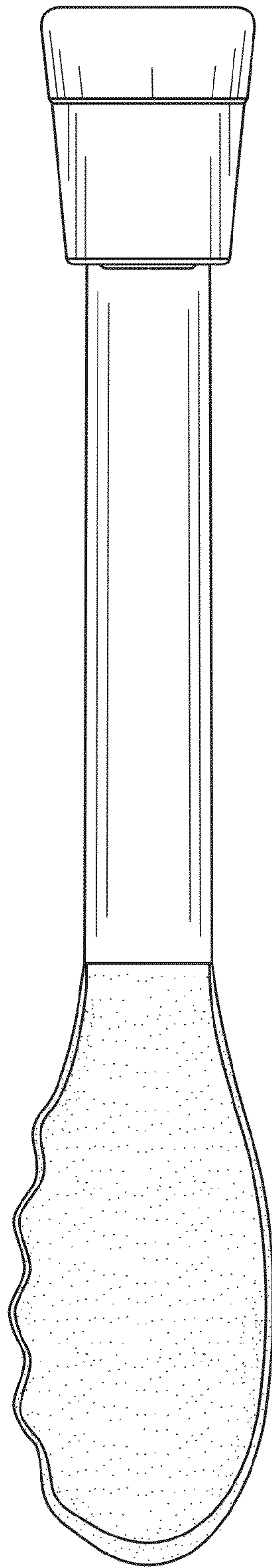


FIG. 4



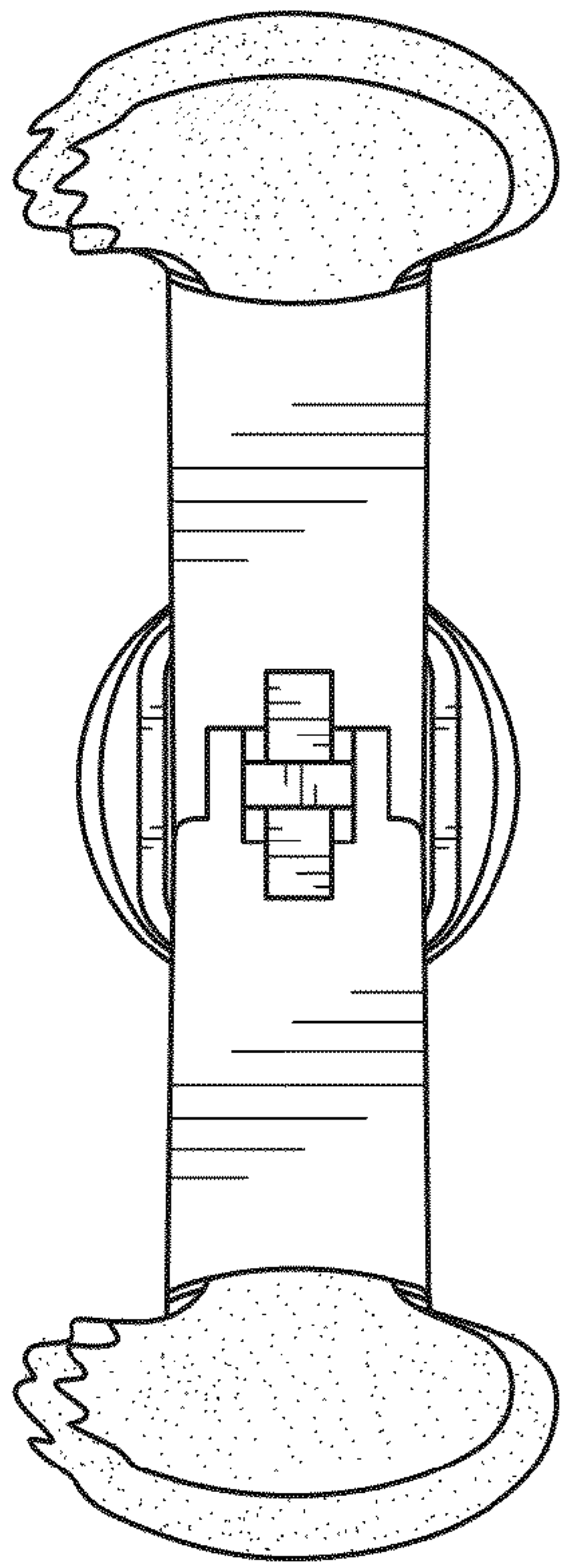


FIG. 5

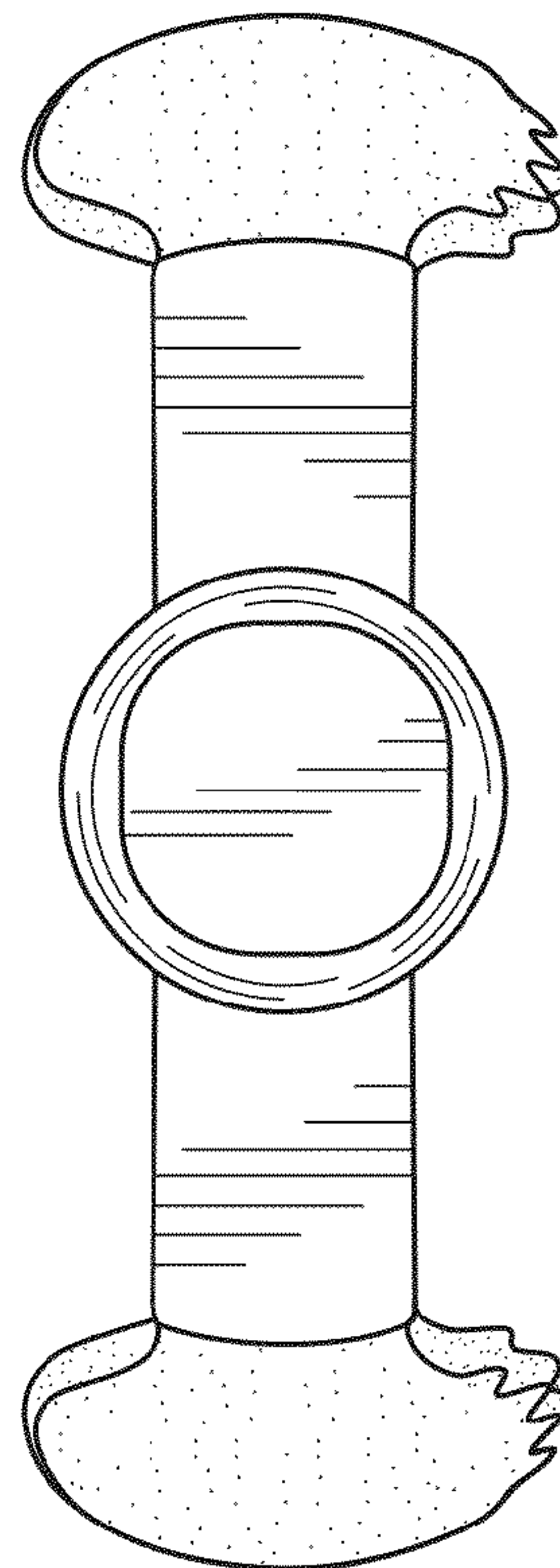


FIG. 6

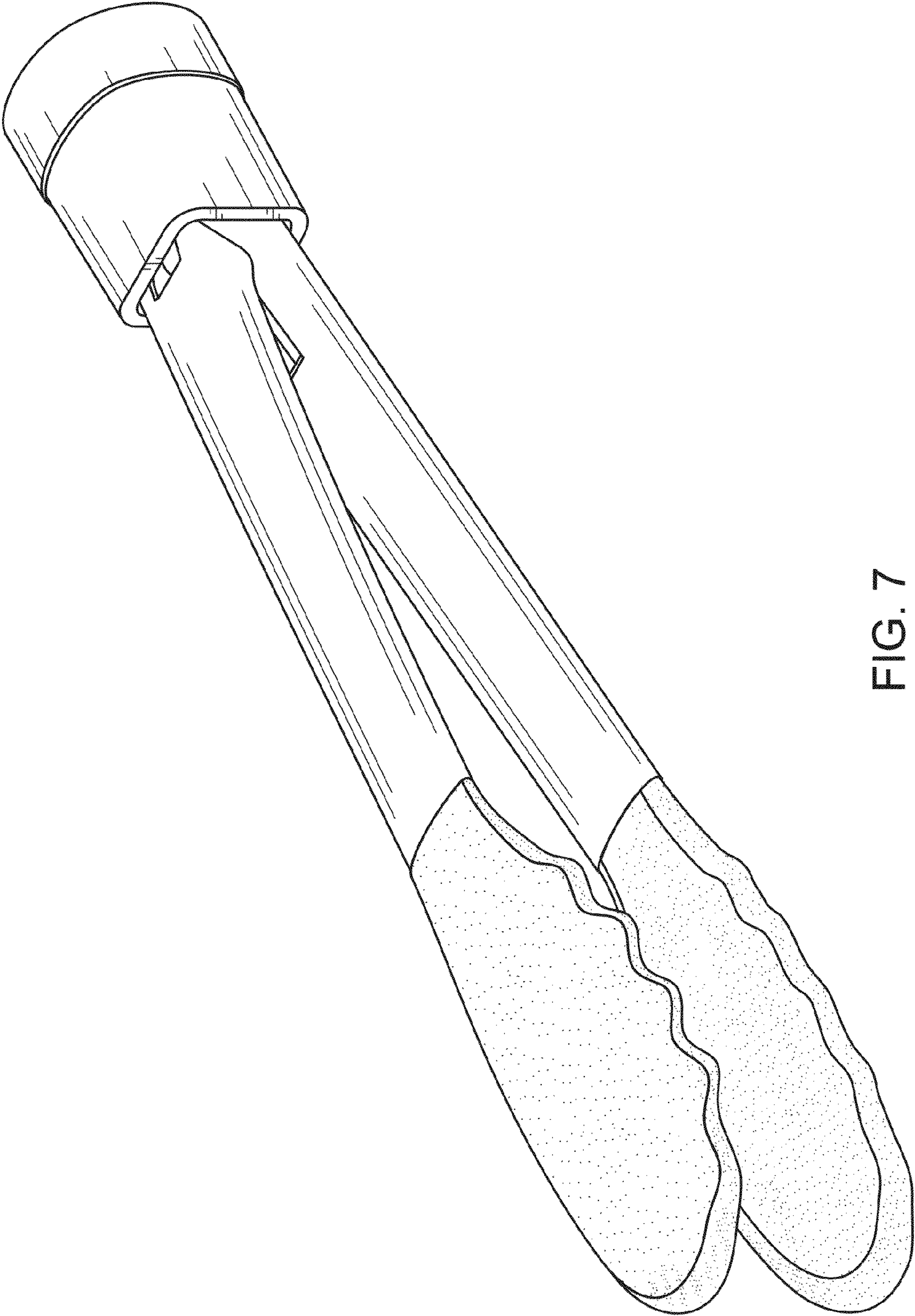


FIG. 7