



US00D758142S

(12) **United States Design Patent**
Frank et al.

(10) **Patent No.:** **US D758,142 S**
(45) **Date of Patent:** **** Jun. 7, 2016**

- (54) **TIKI POP MOLD**
- (71) Applicant: **ICI USA, LLC**, Seattle, WA (US)
- (72) Inventors: **Matthew Frank**, Seattle, WA (US);
Raquel Rabago, Seattle, WA (US)
- (73) Assignee: **ICI USA, LLC**, Seattle, WA (US)
- (**) Term: **14 Years**
- (21) Appl. No.: **29/515,292**
- (22) Filed: **Jan. 21, 2015**
- (51) **LOC (10) Cl.** **07-04**
- (52) **U.S. Cl.**
USPC **D7/676; D15/90**
- (58) **Field of Classification Search**
USPC D15/90; D7/672, 519-520, 507, 300,
D7/703, 675-676; 426/421; 249/127
CPC A47G 19/22; F25C 1/06; F25C 1/12
See application file for complete search history.

D720,783 S *	1/2015	Yang	D15/90
D725,442 S *	3/2015	Coomer	D7/672
D727,623 S *	4/2015	Nickell	D3/313
D728,645 S *	5/2015	Ferguson	D15/90
D731,264 S *	6/2015	Frank	D7/672
D733,195 S *	6/2015	Lum	D15/90
D734,106 S *	7/2015	Frank	D7/672
D738,409 S *	9/2015	Henry	D15/90
D740,073 S *	10/2015	Zorovich	D7/507
D741,041 S *	10/2015	Walker	D1/121
2010/0183789 A1 *	7/2010	Zorovich	A23G 9/221 426/421
2013/0224365 A1 *	8/2013	Avidanilovitch	A23F 3/14 426/597
2014/0197300 A1 *	7/2014	Zorovich	A23G 9/083 249/127
2014/0260406 A1 *	9/2014	Tenbarga	F25C 5/06 62/340
2015/0107275 A1 *	4/2015	Papalia	F25C 1/18 62/67

* cited by examiner

Primary Examiner — Rosemary K Tarcza

Assistant Examiner — James Thorn, Sr.

(74) *Attorney, Agent, or Firm* — Cloutier Global

(56) **References Cited**

U.S. PATENT DOCUMENTS

D249,269 S *	9/1978	Pitts	D15/90
D263,398 S *	3/1982	Tiller	D15/90
D292,802 S *	11/1987	Fails	D15/90
D336,020 S *	6/1993	McHale	D7/676
D348,473 S *	7/1994	Griffin, Sr.	D15/90
D360,532 S *	7/1995	Suneborn	D15/90
D433,691 S *	11/2000	Cauley	D15/90
D434,427 S *	11/2000	Di Bitonto	D15/90
D480,736 S *	10/2003	Wright	D15/90
D482,374 S *	11/2003	Fan	D15/90
D495,721 S *	9/2004	Glassgold	D15/90
D631,304 S *	1/2011	Kushner	D7/672
D636,412 S *	4/2011	Misse	D15/90
D689,747 S *	9/2013	Zorovich	D7/672
D690,169 S *	9/2013	Zorovich	D7/672
D691,182 S *	10/2013	Chiorazzi	D15/90
D697,095 S *	1/2014	Chan	D15/90
D706,316 S *	6/2014	Hoyord	D15/90

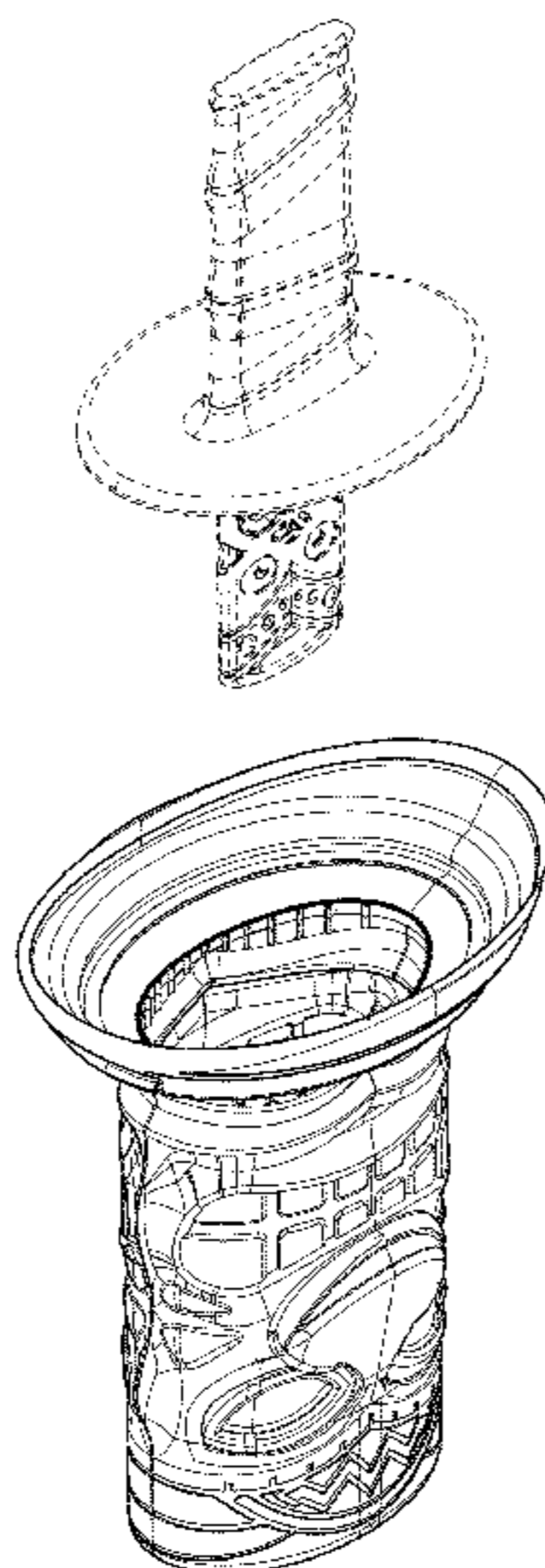
(57) **CLAIM**

The ornamental design for a tiki pop mold, as shown and described.

DESCRIPTION

FIG. 1 is a perspective view of the tiki pop mold;
 FIG. 2 is a perspective view of the tiki pop mold;
 FIG. 3 is a bottom view of the tiki pop mold;
 FIG. 4 is a front/back view of the tiki pop mold;
 FIG. 5 is a left/right end view of the tiki pop mold; and,
 FIG. 6 is an environmental, exploded, perspective view of the tiki pop mold.
 Broken lines showing a pop mold stick are for the purposes of illustrating the environmental structure and form no part of the claimed design.

1 Claim, 2 Drawing Sheets



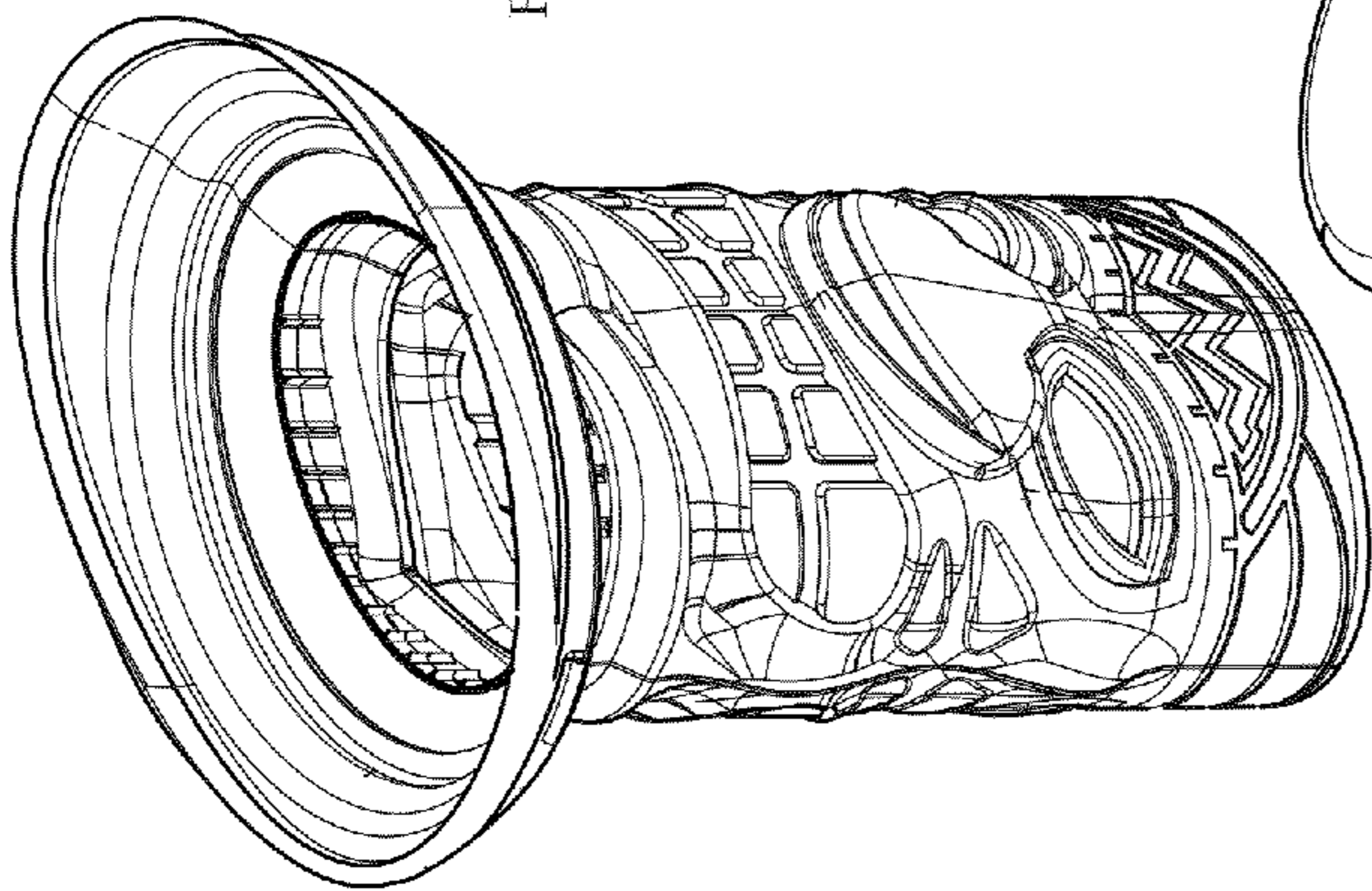


Fig. 1

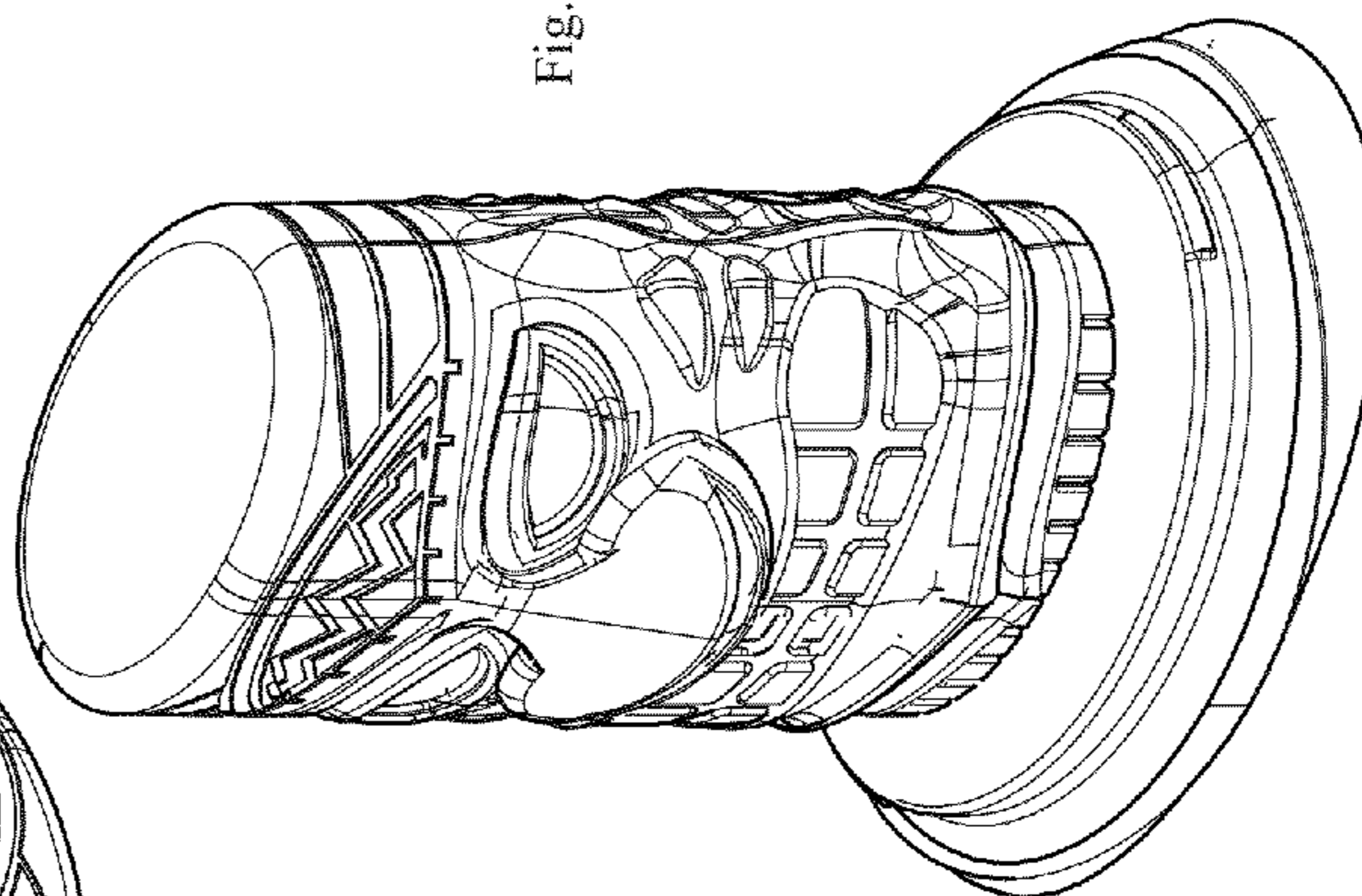


Fig. 2

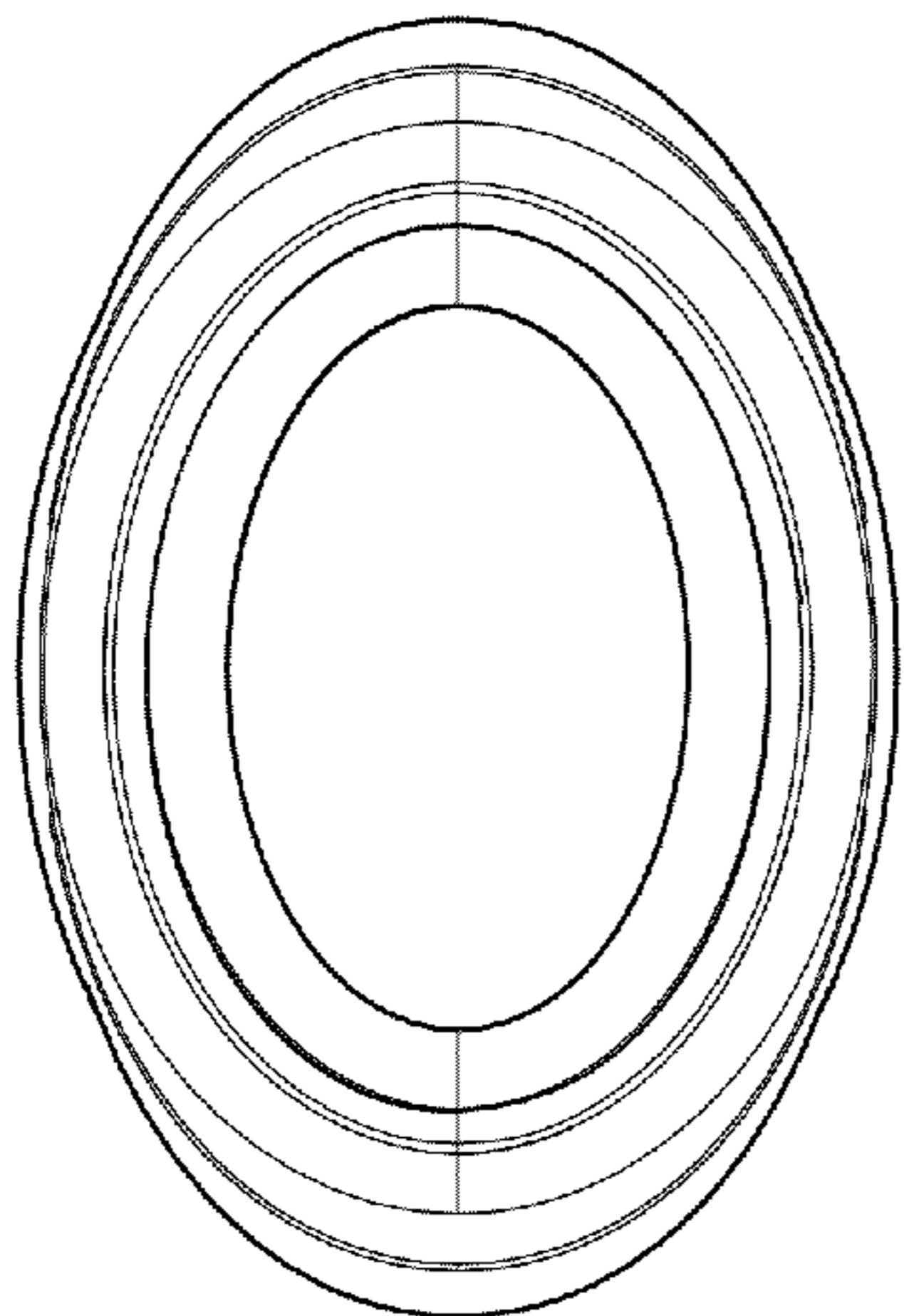


Fig. 3

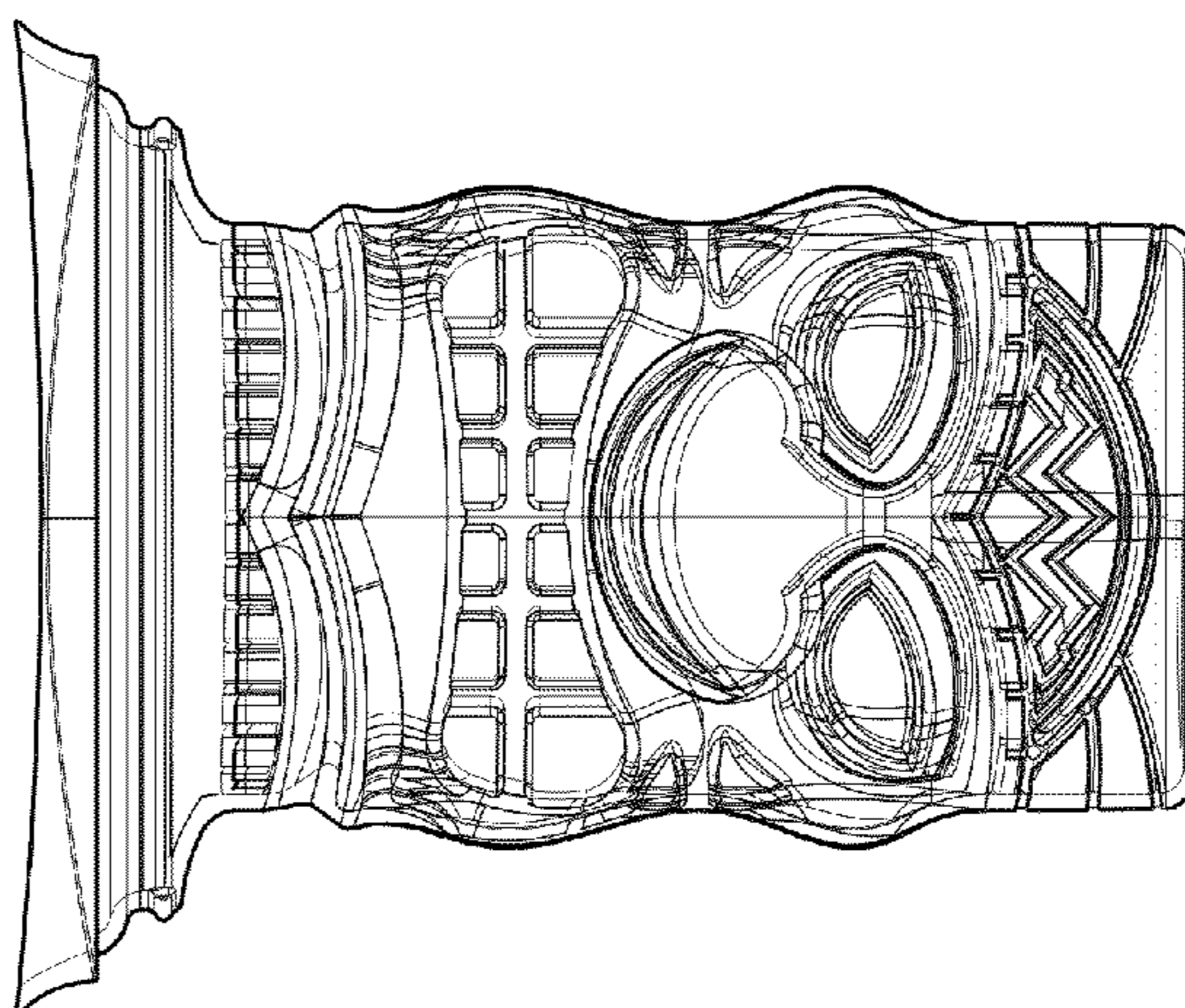


Fig. 4

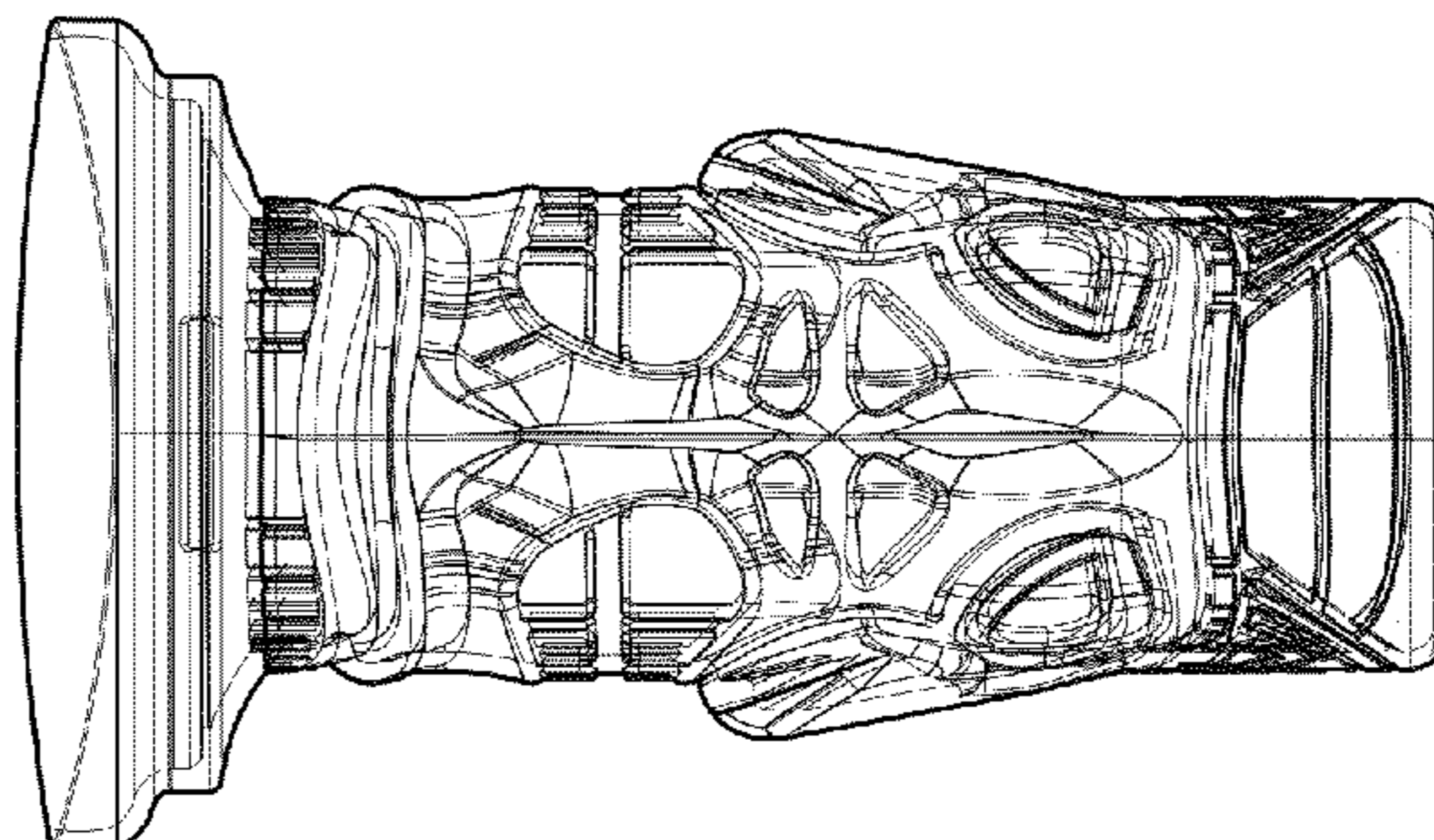


Fig. 5

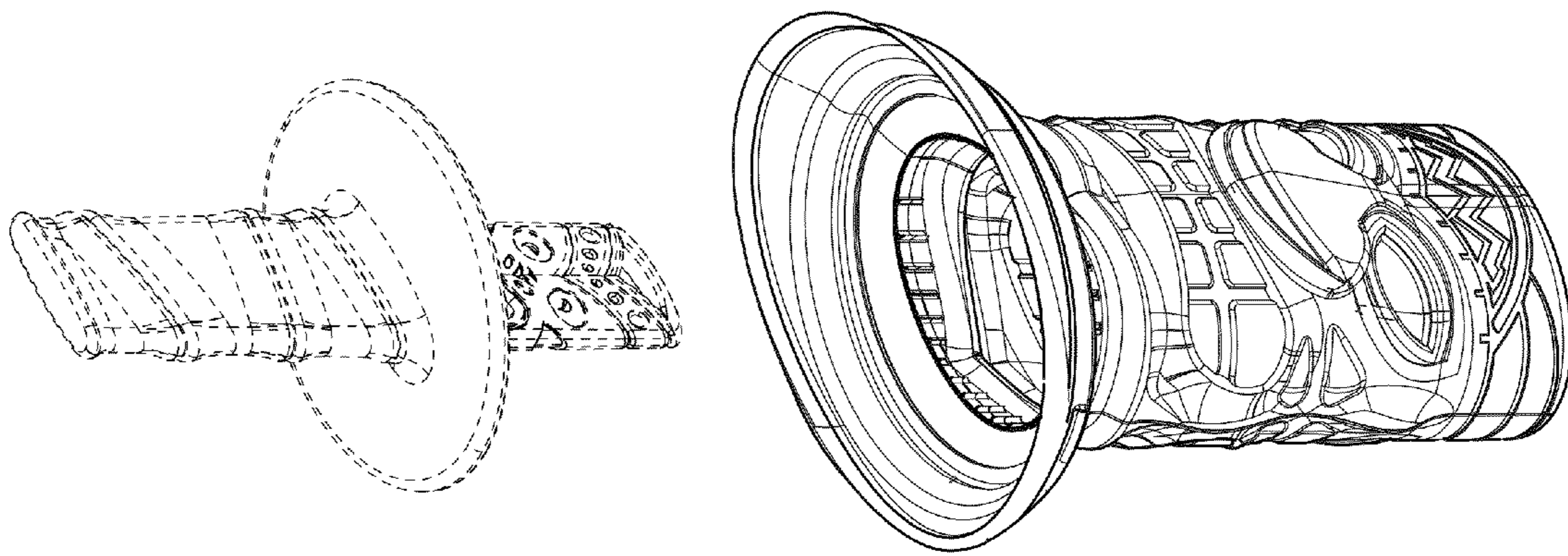


Fig. 6