



US00D758140S

(12) **United States Design Patent**
Williams

(10) **Patent No.:** **US D758,140 S**
(45) **Date of Patent:** **** Jun. 7, 2016**

(54) **ANGLED EATING UTENSIL SET**
(71) Applicant: **Steven L. Williams**, The Villages, FL (US)
(72) Inventor: **Steven L. Williams**, The Villages, FL (US)
(**) Term: **14 Years**
(21) Appl. No.: **29/520,360**
(22) Filed: **Mar. 13, 2015**
(51) **LOC (10) Cl.** **07-03**
(52) **U.S. Cl.**
USPC **D7/645**; D7/642; D7/653; D7/663
(58) **Field of Classification Search**
USPC D7/368, 401.2, 642–645, 653–664, 669, D7/675–677, 683, 688–689, 691; D8/107, D8/300–301; D22/117–118
CPC A01D 9/02; A01D 9/04; A01D 9/06; A47G 21/00; A47G 21/004; A47G 21/005; A47G 21/02; A47G 21/023; A47G 21/04; A47G 21/06; A47G 21/08; A47J 43/28; A47J 43/281; A47J 43/282; A61F 13/10; A61J 7/0023; B25G 1/00; B25G 1/01; B25G 1/02; B25G 3/00; B65D 75/56; B65D 75/563; B65D 75/566; B67B 7/00; B67B 7/724; B67B 7/73

See application file for complete search history.

(56) **References Cited**

U.S. PATENT DOCUMENTS

D4,667 S * 2/1871 De Busson D7/663
285,769 A 9/1883 Tolman

(Continued)

Primary Examiner — Ricky Pham

(74) *Attorney, Agent, or Firm* — Frijouf, Rust & Pyle, P.A.

(57) **CLAIM**

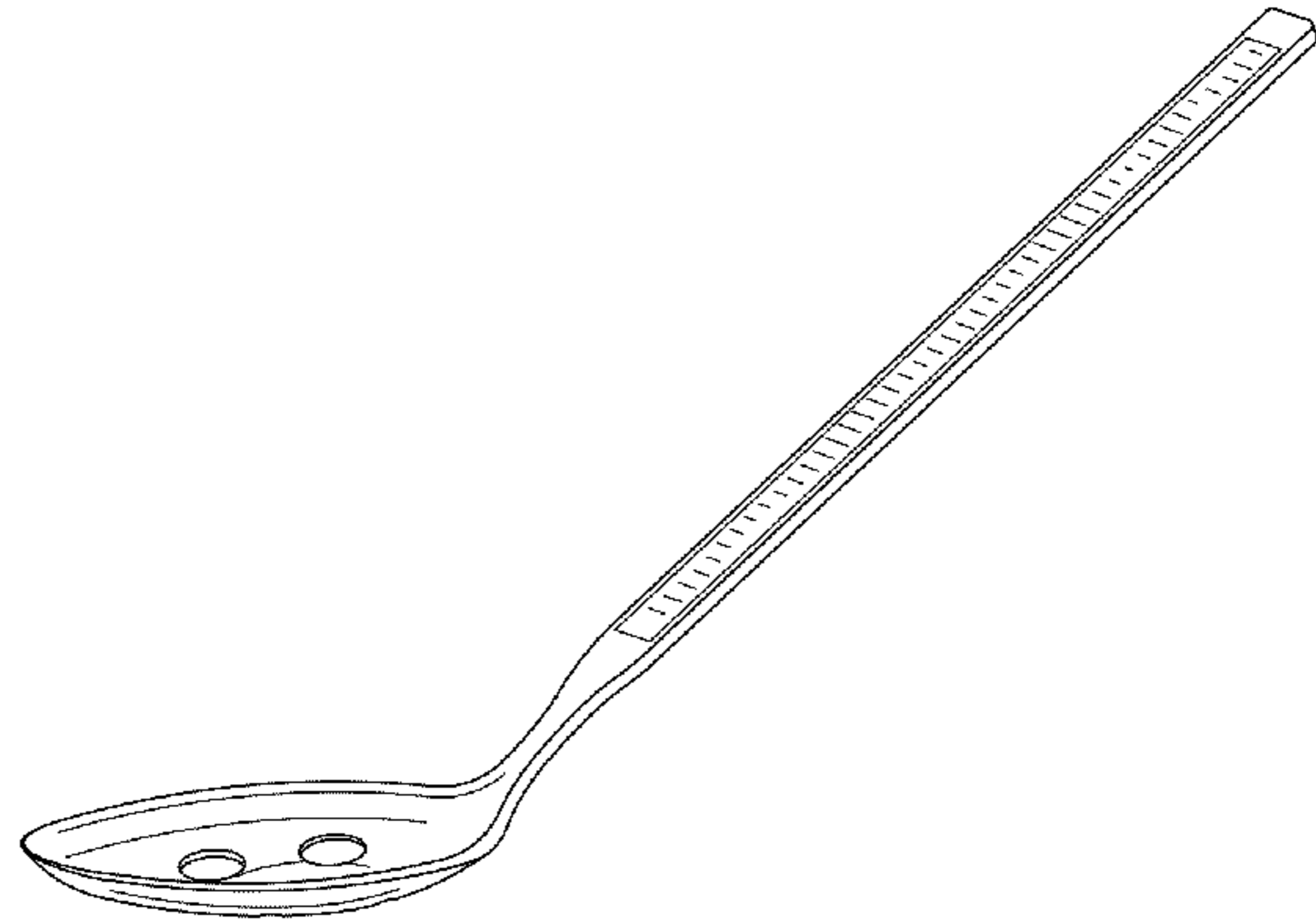
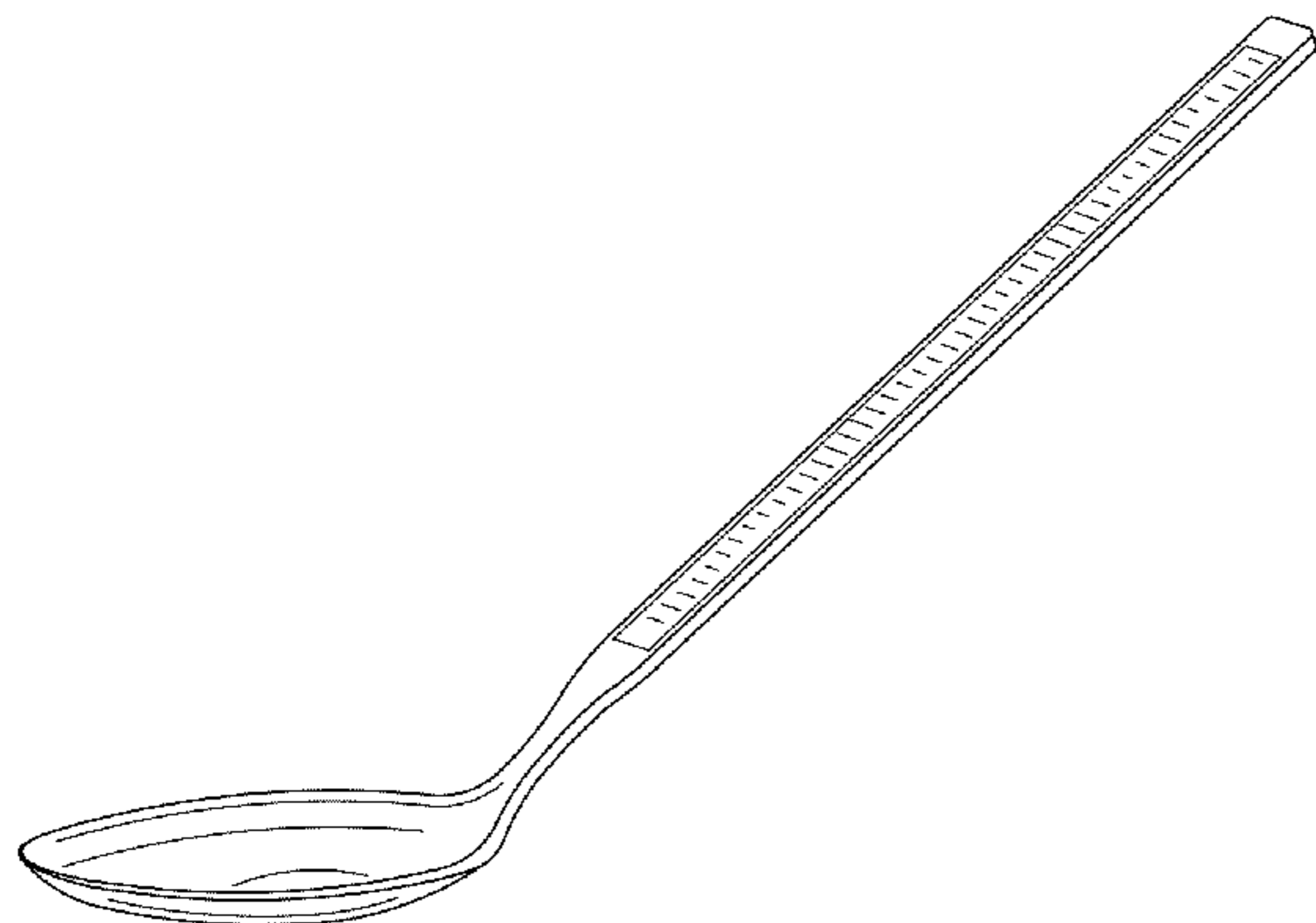
The ornamental design for an angled eating utensil set, as shown and described.

DESCRIPTION

FIG. 1 is an upper front isometric view of a first embodiment of my new design for an angled eating utensil set;

FIG. 2 is a top view of FIG. 1;
FIG. 3 is a bottom view of FIG. 1;
FIG. 4 is a front view of FIG. 1;
FIG. 5 is a rear view of FIG. 1;
FIG. 6 is a left side view of FIG. 1;
FIG. 7 is a right side view of FIG. 1;
FIG. 8 is an upper front isometric view of a second embodiment of my new design for an angled eating utensil set;
FIG. 9 is a top view of FIG. 8;
FIG. 10 is a bottom view of FIG. 8;
FIG. 11 is a front view of FIG. 8;
FIG. 12 is a rear view of FIG. 8;
FIG. 13 is a left side view of FIG. 8;
FIG. 14 is a right side view of FIG. 8;
FIG. 15 is an upper front isometric view of a third embodiment of my new design for an angled eating utensil set;
FIG. 16 is a top view of FIG. 15;
FIG. 17 is a bottom view of FIG. 15;
FIG. 18 is a front view of FIG. 15;
FIG. 19 is a rear view of FIG. 15;
FIG. 20 is a left side view of FIG. 15;
FIG. 21 is a right side view of FIG. 15;
FIG. 22 is an upper front isometric view of a fourth embodiment of my new design for an angled eating utensil set;
FIG. 23 is a top view of FIG. 22;
FIG. 24 is a bottom view of FIG. 22;
FIG. 25 is a front view of FIG. 22;
FIG. 26 is a rear view of FIG. 22;
FIG. 27 is a left side view of FIG. 22;
FIG. 28 is a right side view of FIG. 22;
FIG. 29 is an upper front isometric view of a fifth embodiment of my new design for an angled eating utensil set;
FIG. 30 is a top view of FIG. 29;
FIG. 31 is a bottom view of FIG. 29;
FIG. 32 is a front view of FIG. 29;
FIG. 33 is a rear view of FIG. 29;
FIG. 34 is a left side view of FIG. 29;
FIG. 35 is a right side view of FIG. 29;
FIG. 36 is an upper front isometric view of a sixth embodiment of my new design for an angled eating utensil set;
FIG. 37 is a top view of FIG. 36;
FIG. 38 is a bottom view of FIG. 36;
FIG. 39 is a front view of FIG. 36;
FIG. 40 is a rear view of FIG. 36;
FIG. 41 is a left side view of FIG. 36; and,
FIG. 42 is a right side view of FIG. 36.

1 Claim, 12 Drawing Sheets



(56)

References Cited

U.S. PATENT DOCUMENTS

D146,824 S * 5/1947 Goodwin 30/324
D157,249 S * 2/1950 Geerlings D7/663
2,571,264 A 10/1951 Legarra
D166,444 S * 4/1952 Carre 30/324
D173,445 S * 11/1954 Locander D7/663
D176,235 S * 11/1955 Short D7/663
2,724,894 A * 11/1955 La Tour A47G 21/04
30/324

D182,322 S * 3/1958 Baseel D7/643
D184,944 S * 4/1959 Kaye D7/663
D255,414 S * 6/1980 Anson D7/663
4,563,816 A 1/1986 Jagger
D294,553 S 3/1988 Jagger
5,920,993 A 7/1999 Wenk
D423,887 S * 5/2000 Wills D7/663
D449,498 S * 10/2001 Avila D7/663
D468,166 S * 1/2003 Avila D7/663
D611,778 S 3/2010 Greenberg

* cited by examiner

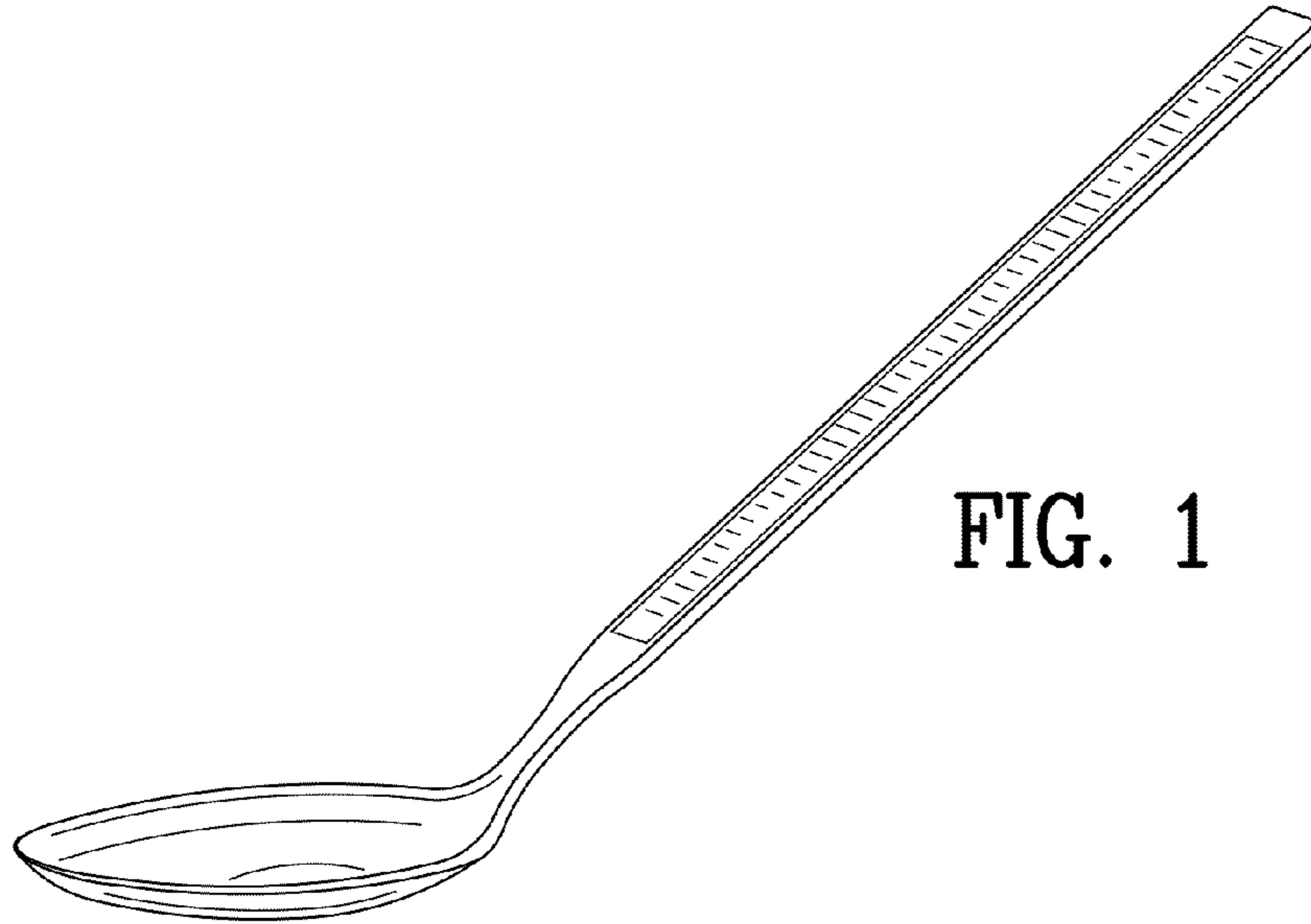


FIG. 1

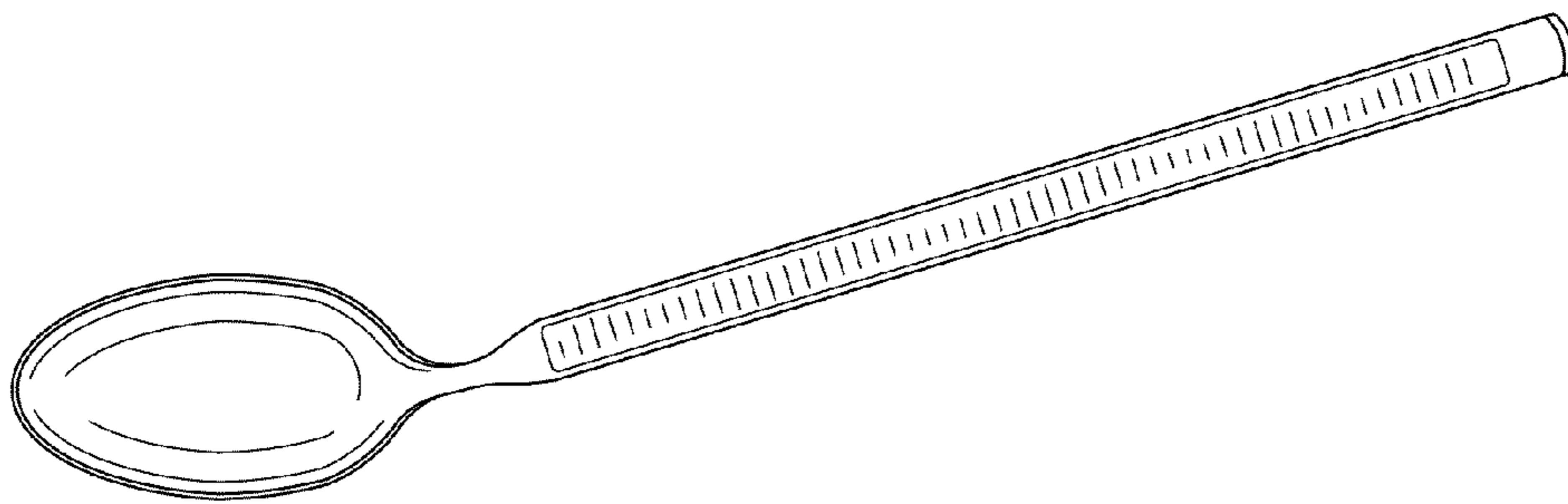


FIG. 2

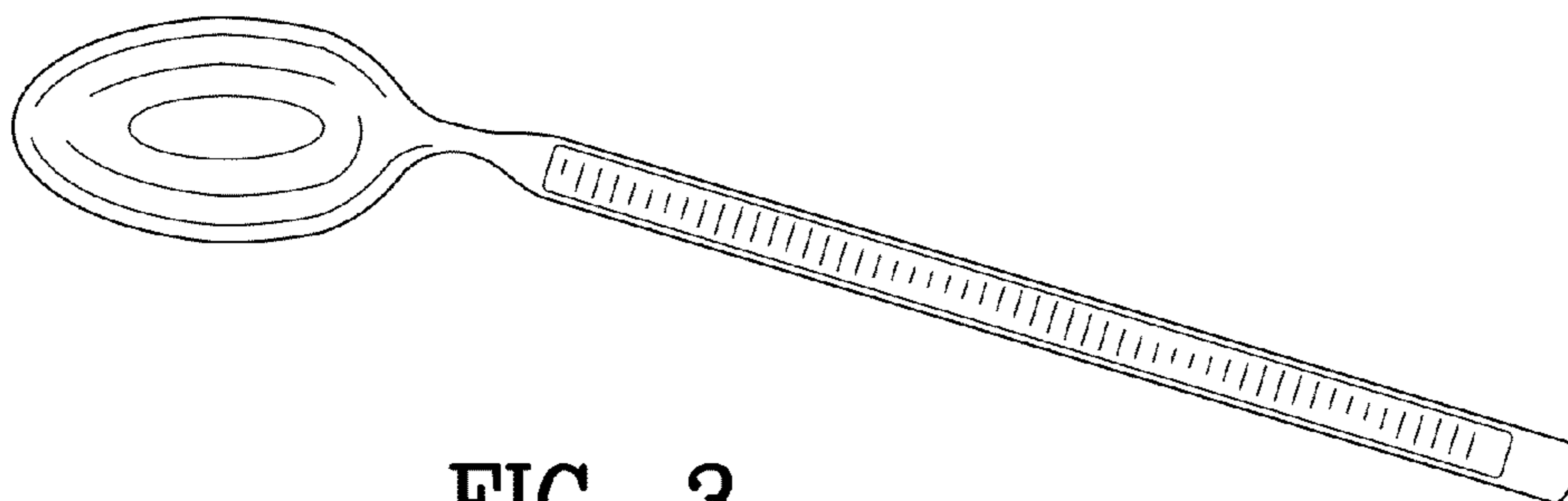


FIG. 3

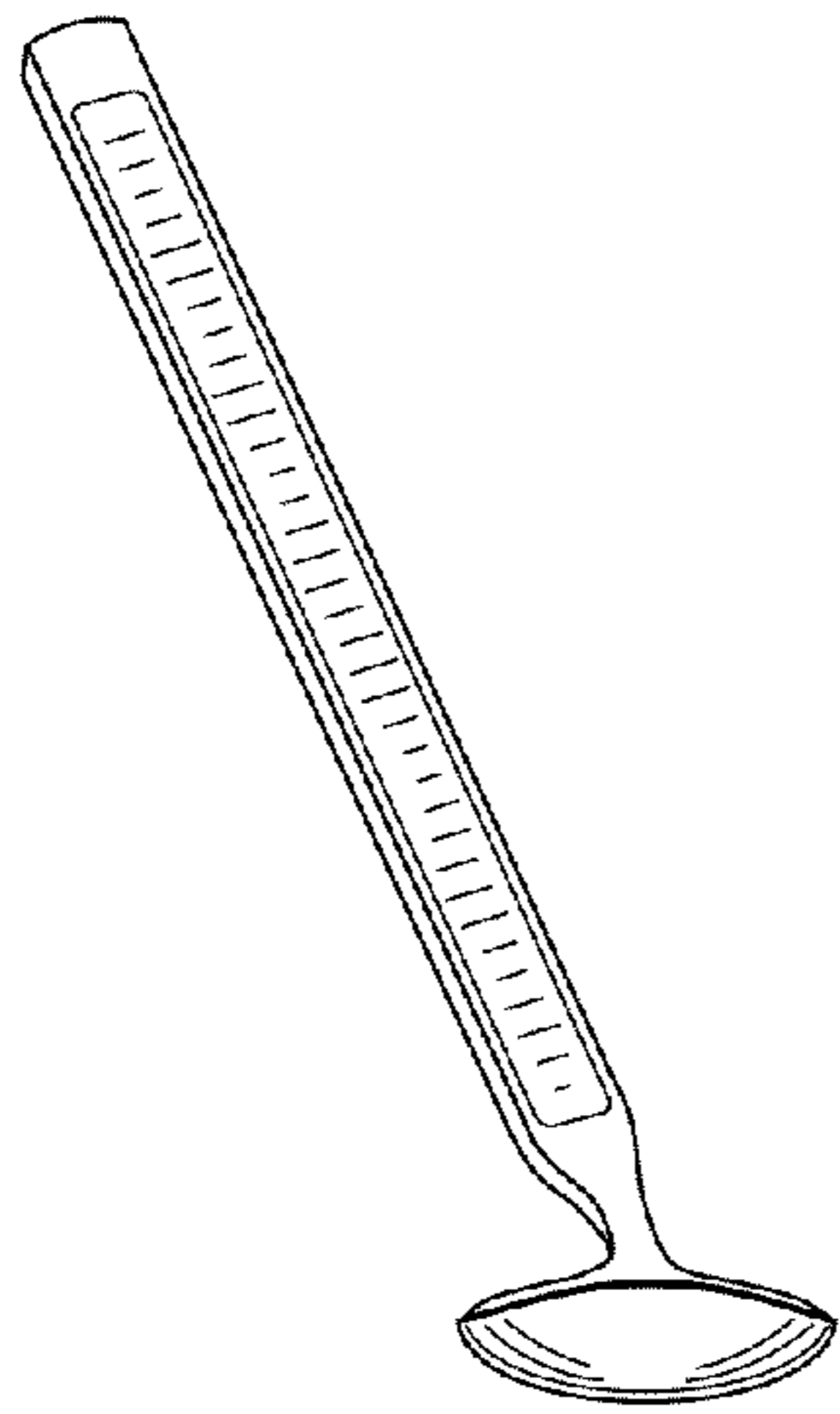


FIG. 4

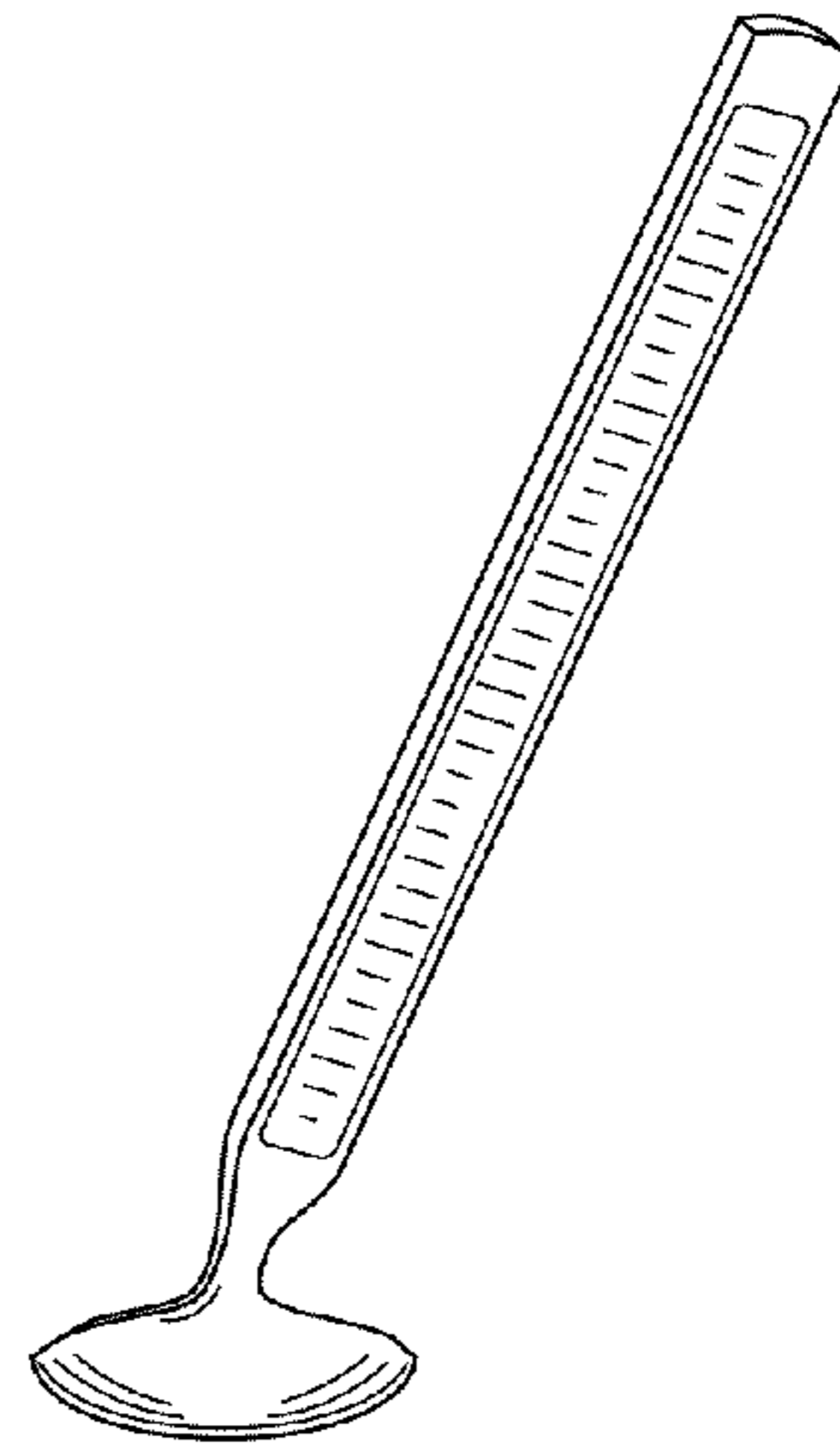


FIG. 5

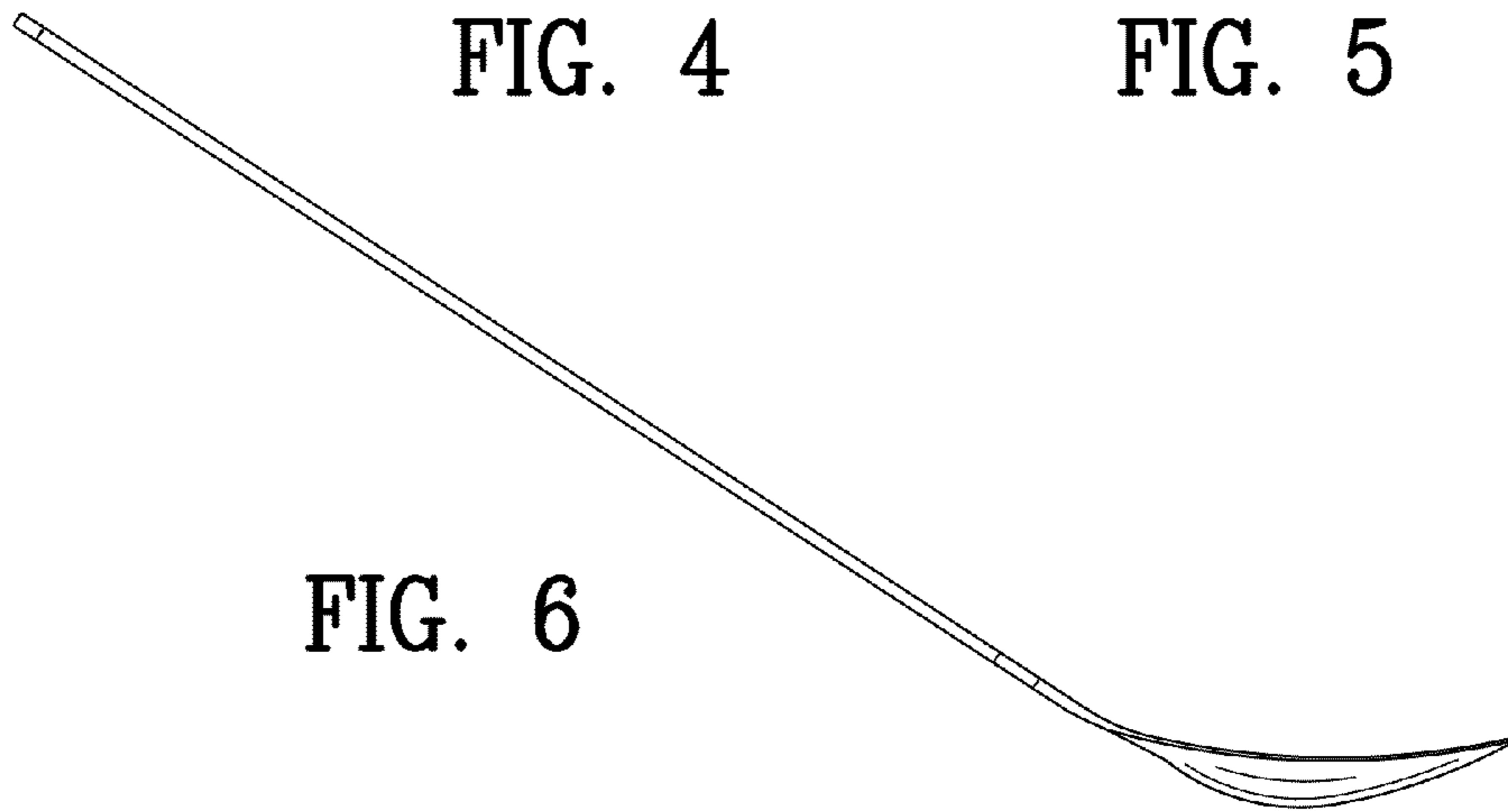


FIG. 6

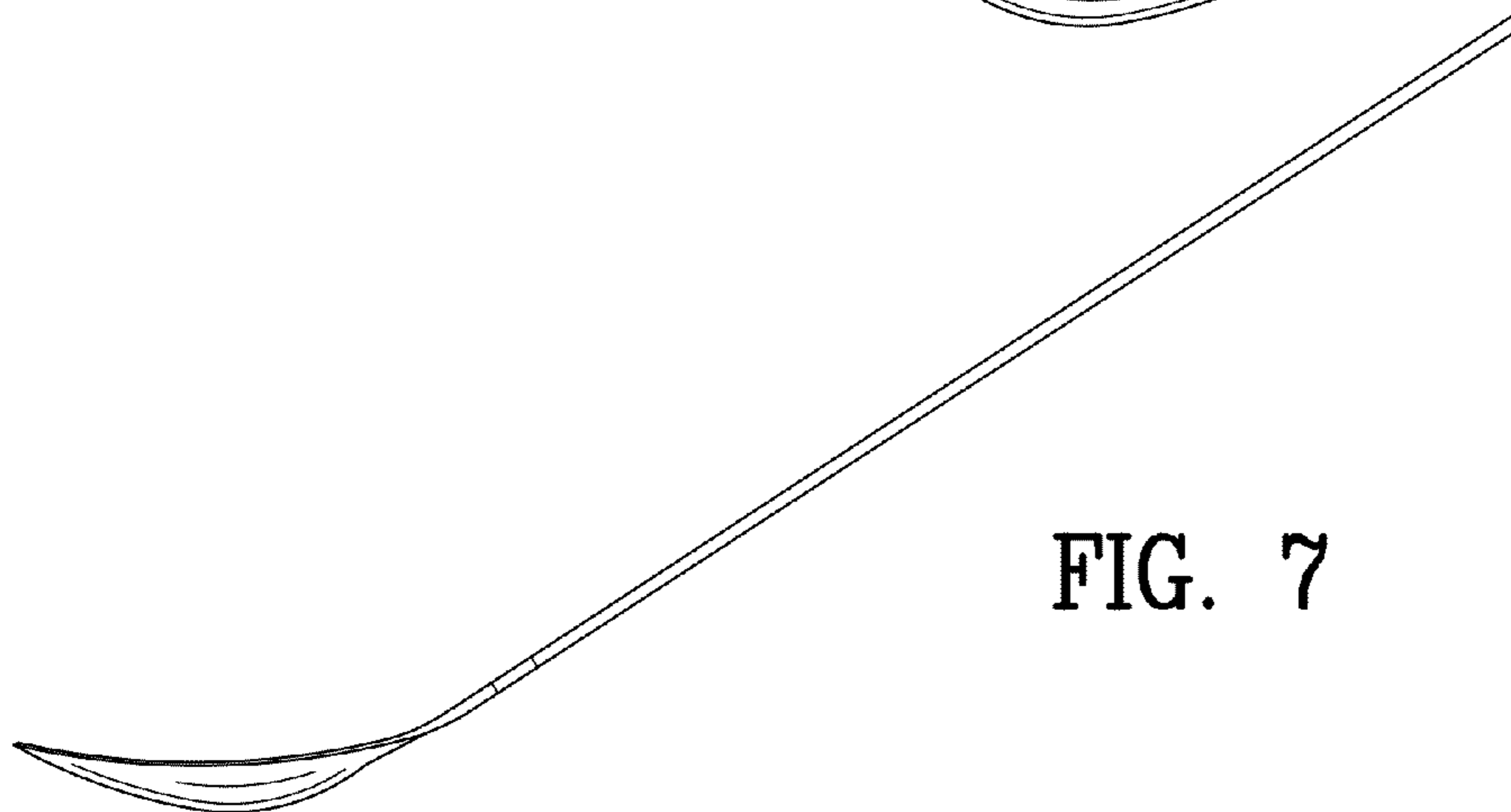


FIG. 7

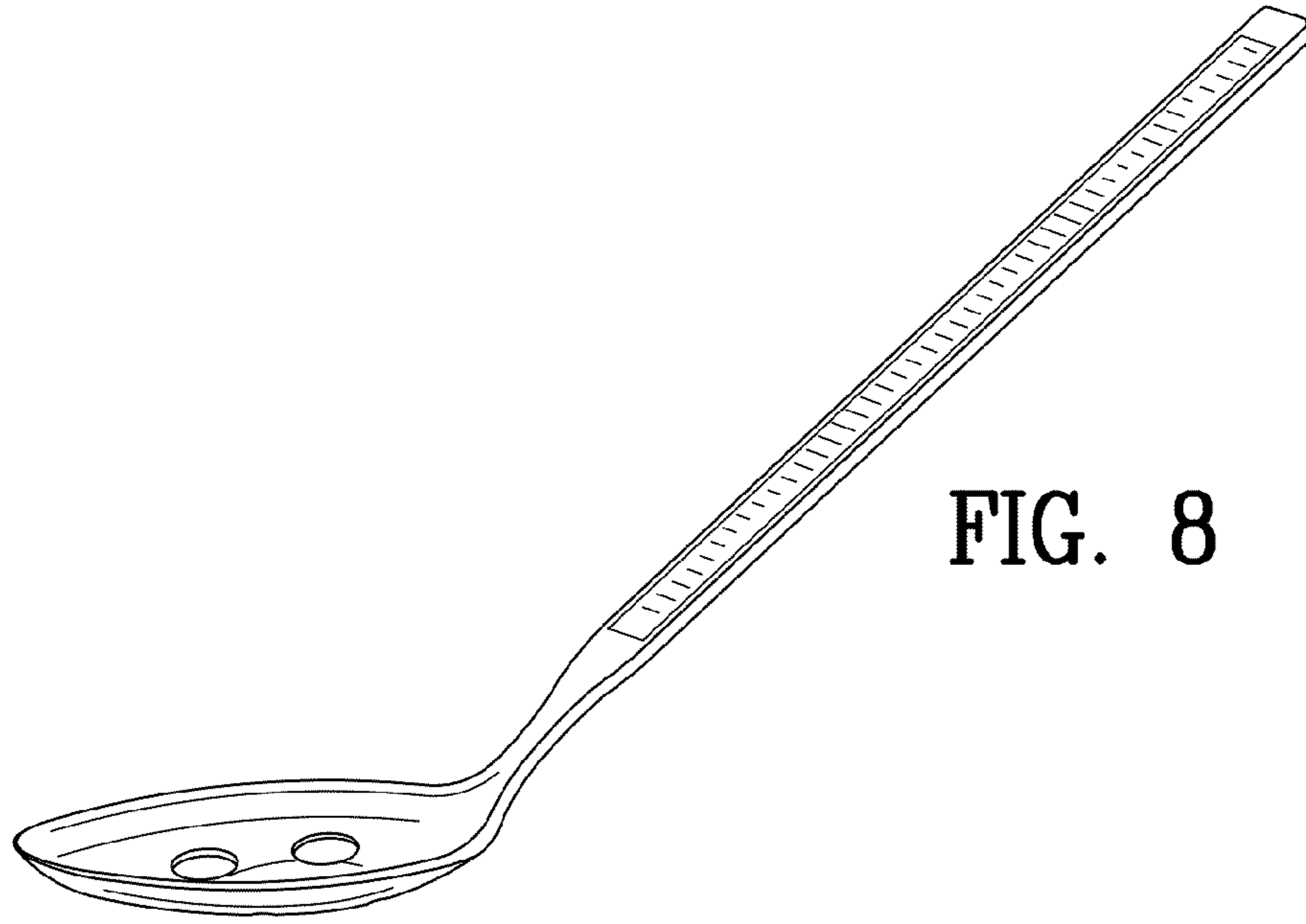


FIG. 8

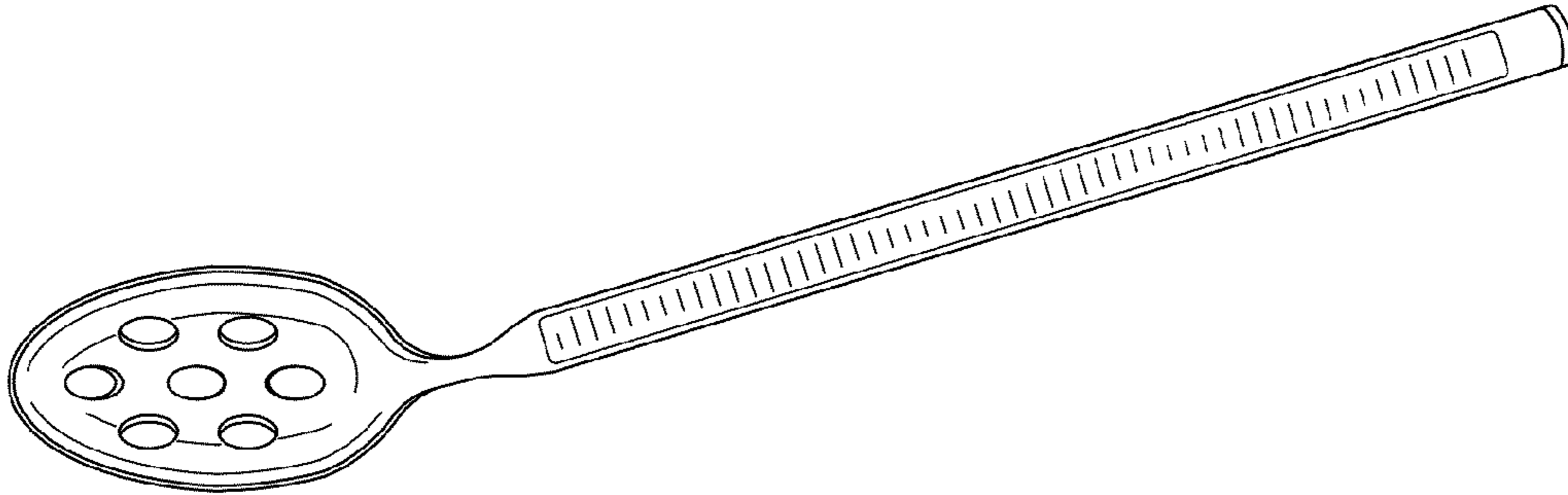


FIG. 9

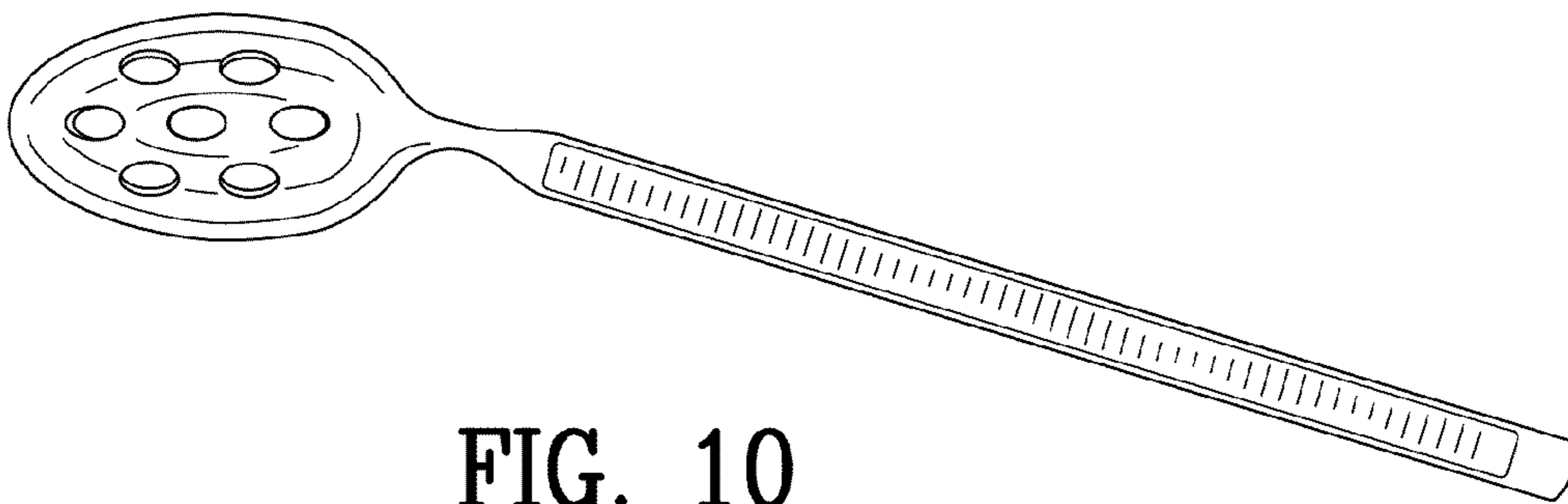


FIG. 10

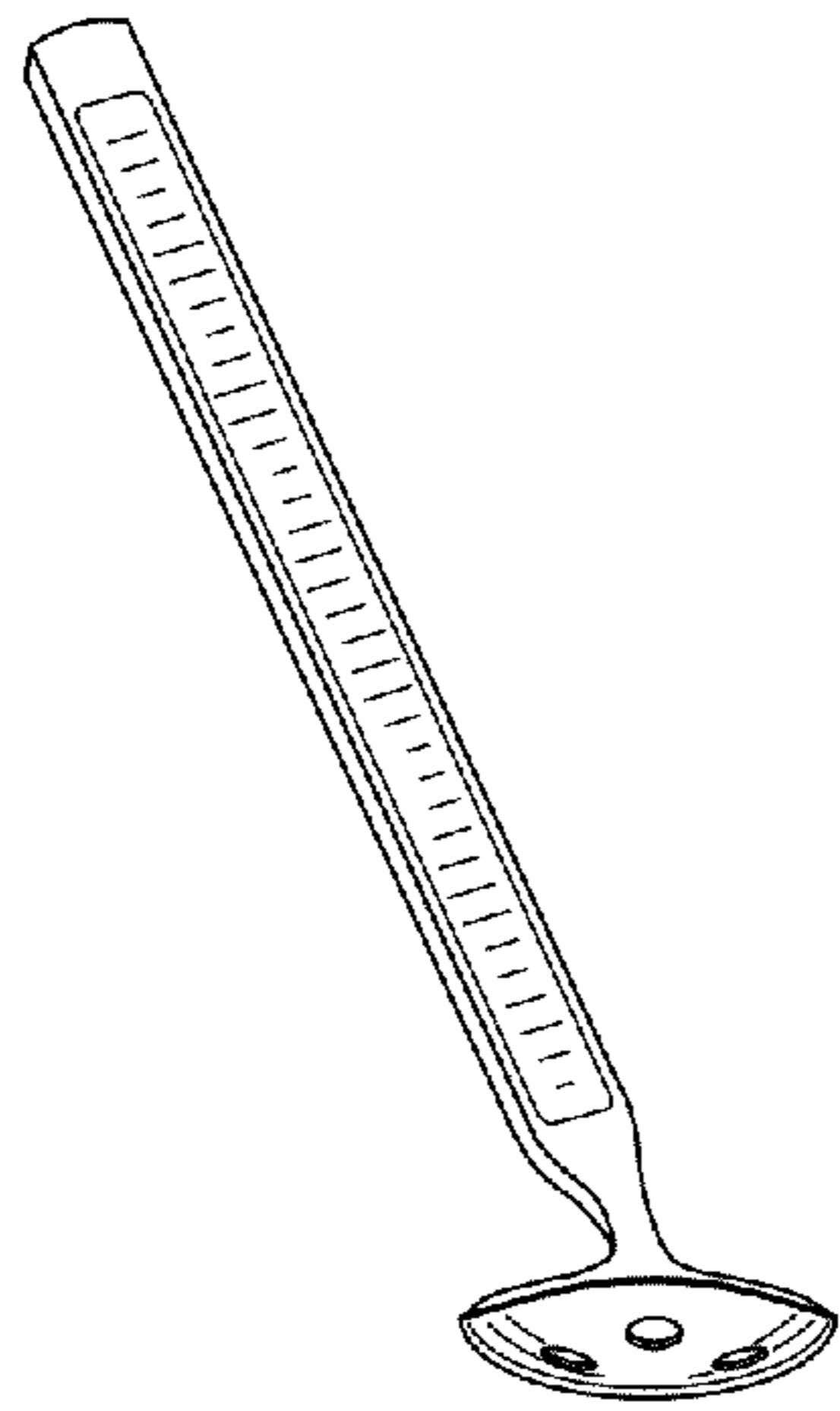


FIG. 11

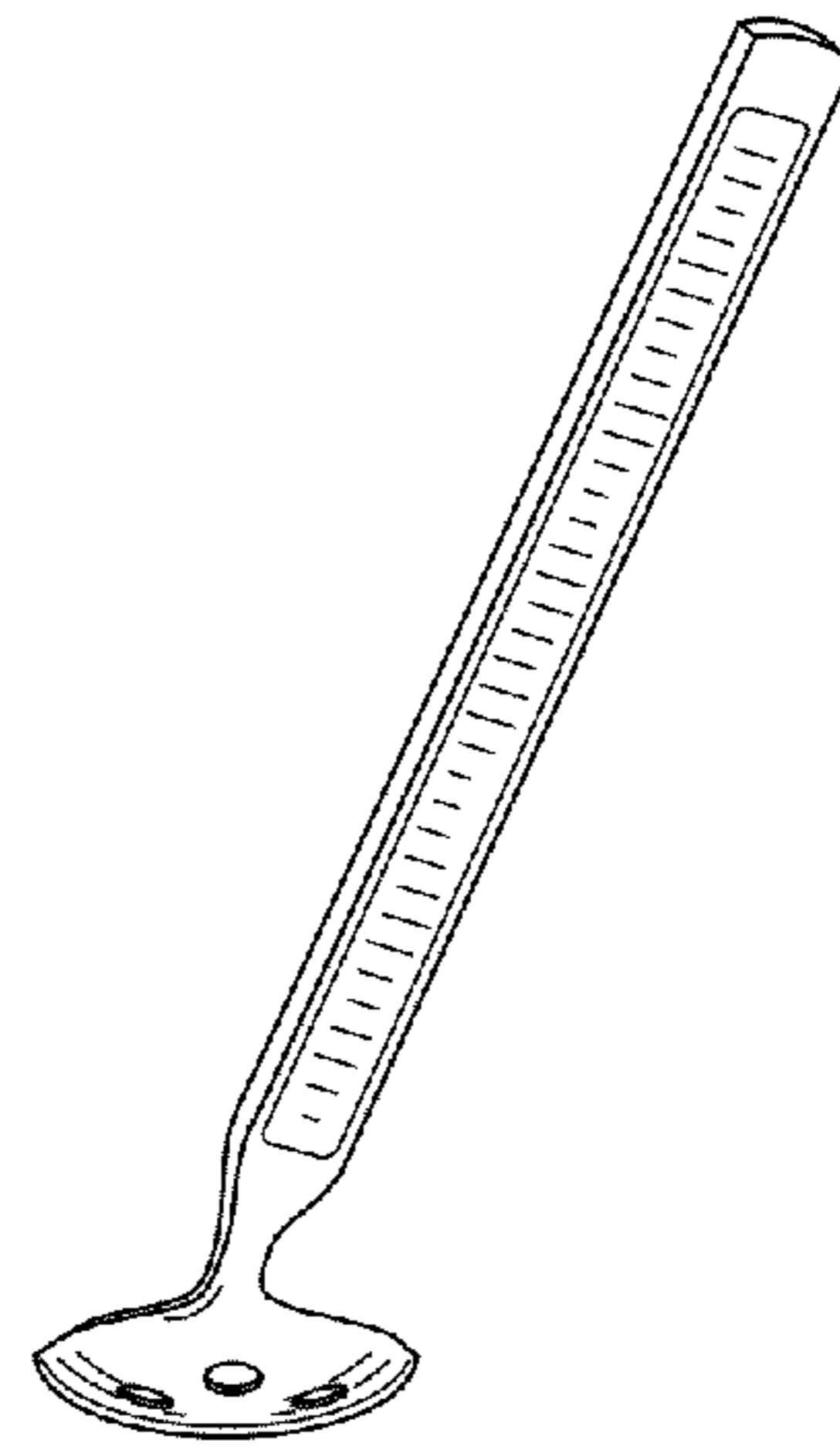


FIG. 12

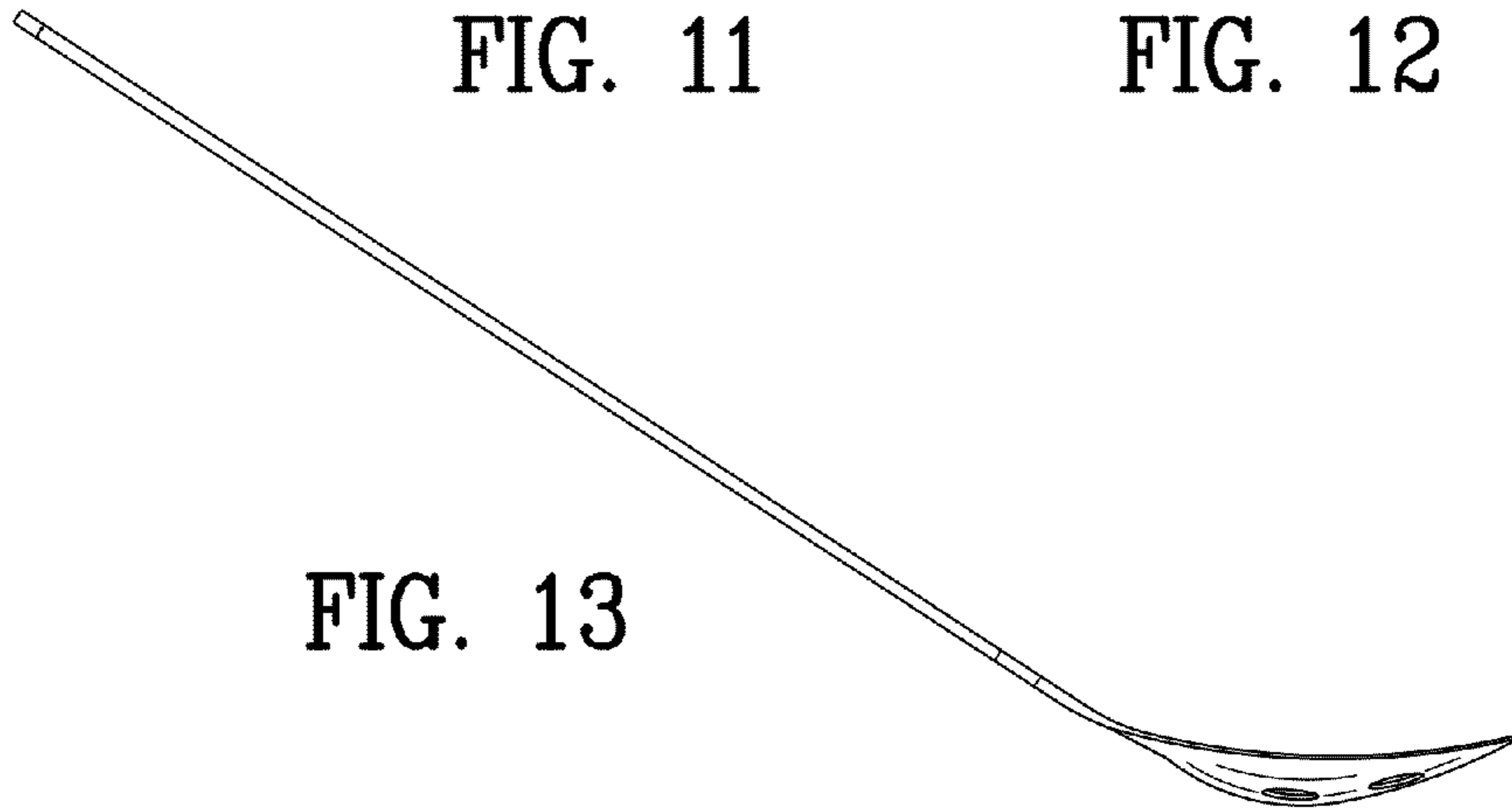


FIG. 13

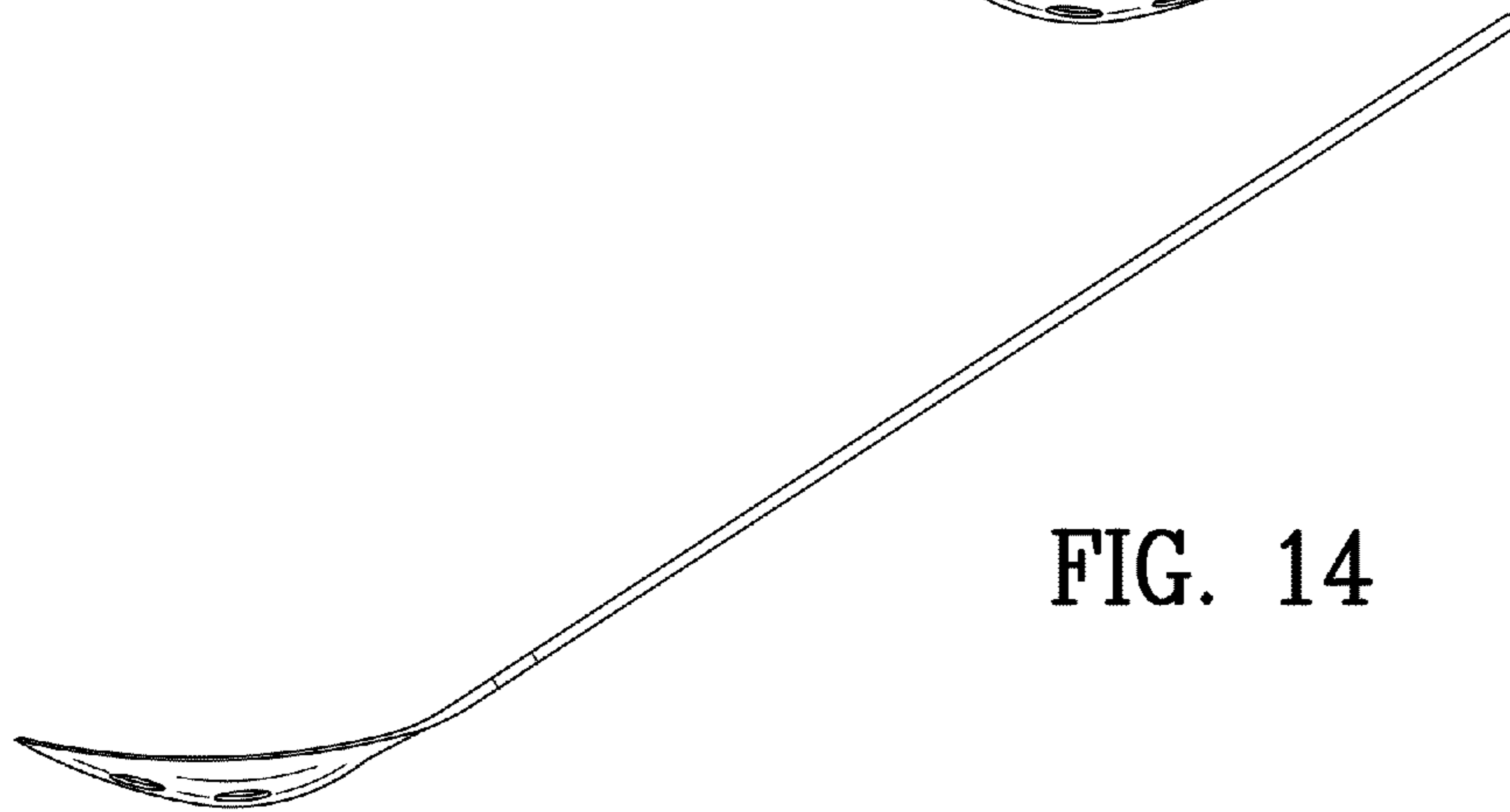


FIG. 14

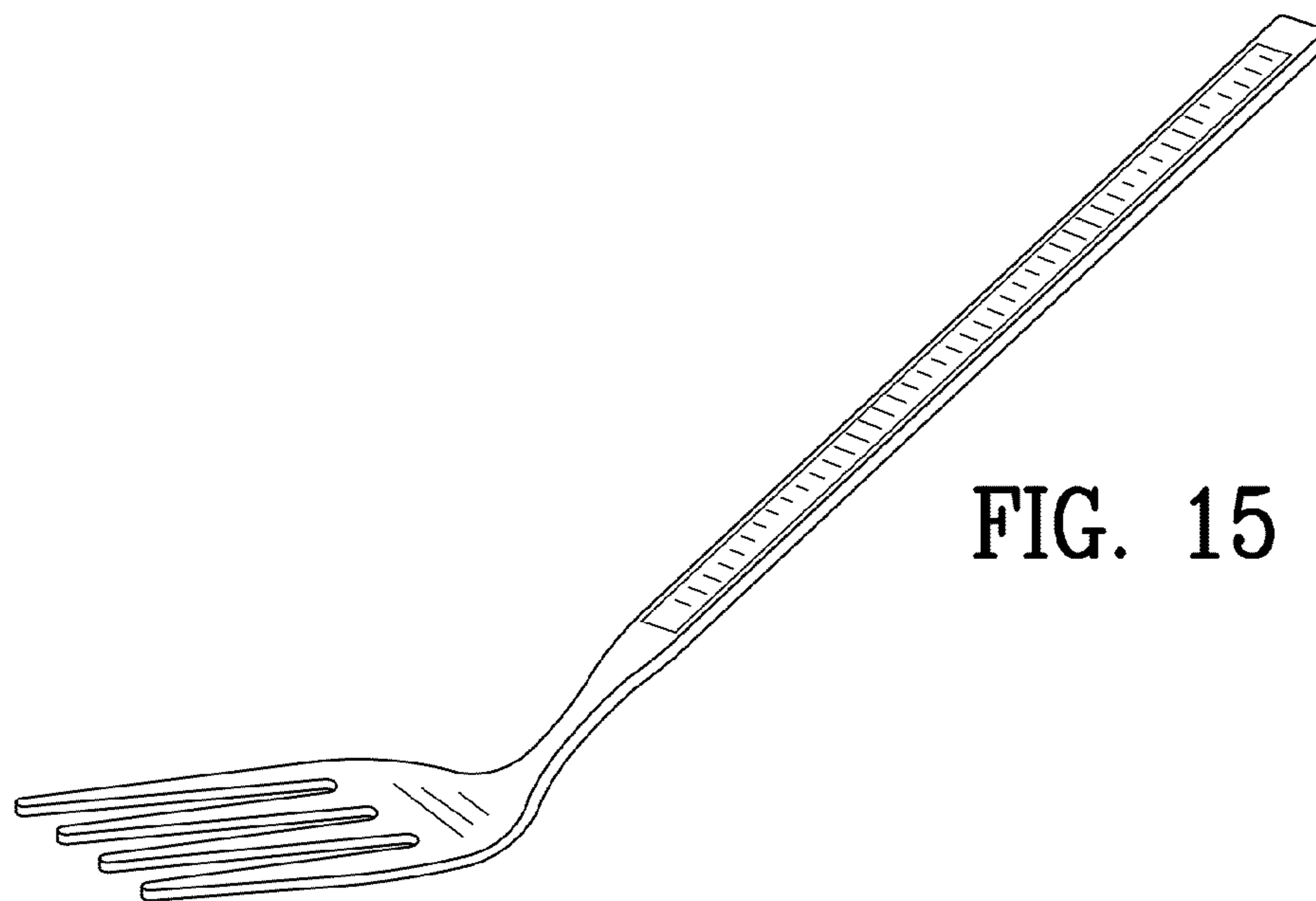


FIG. 15

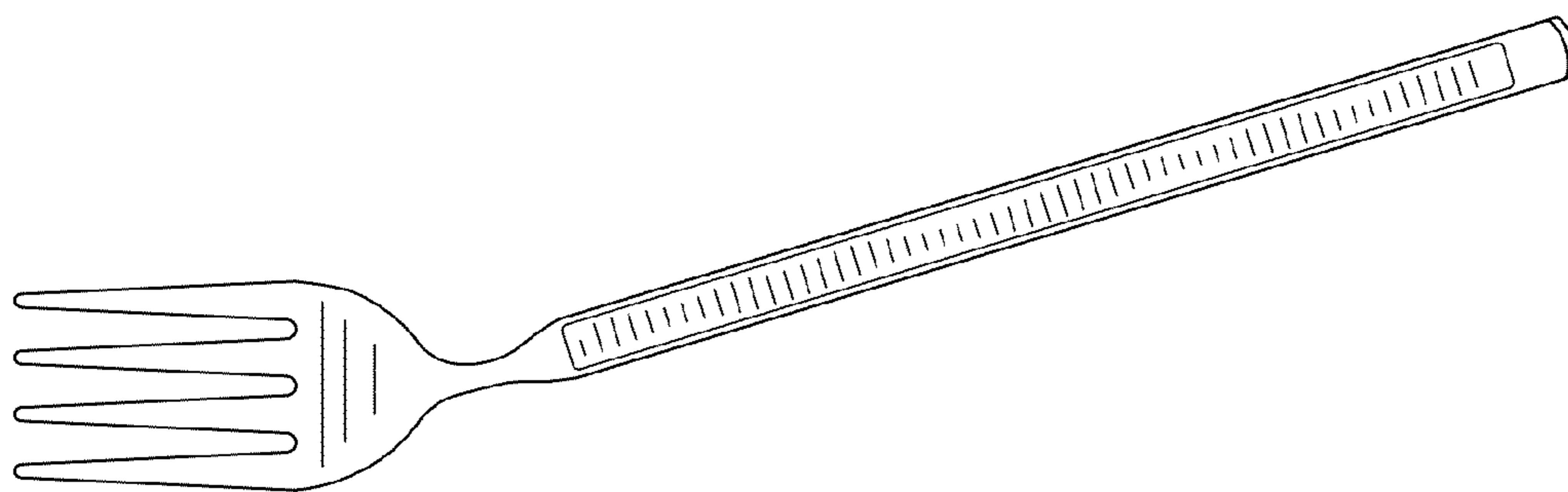


FIG. 16

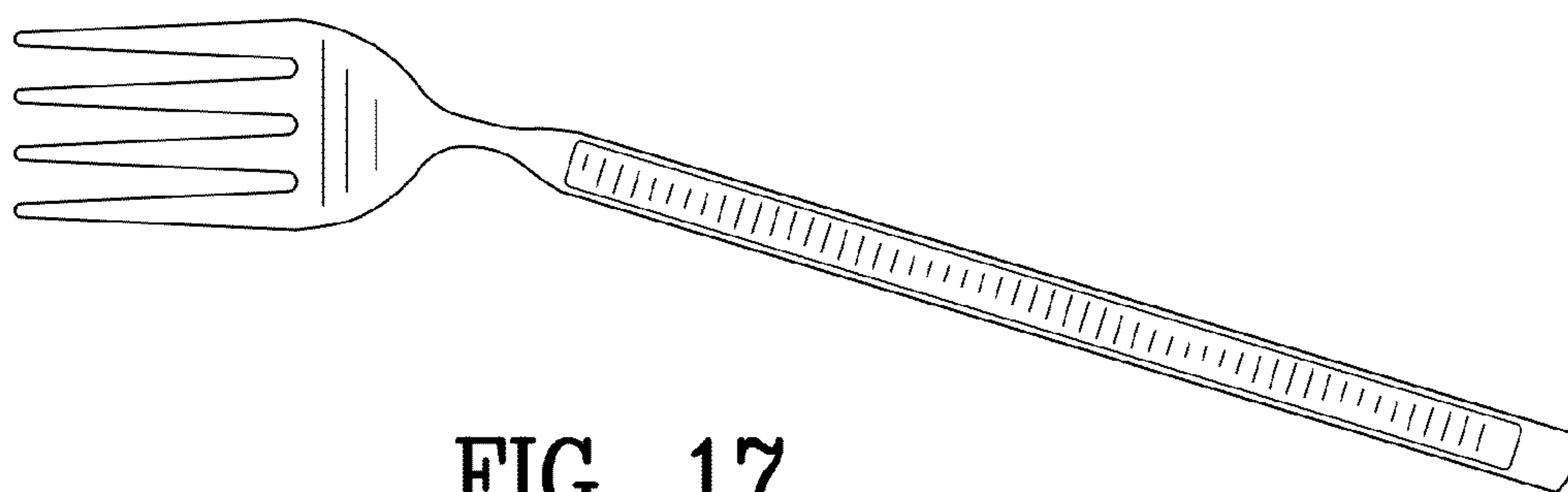


FIG. 17

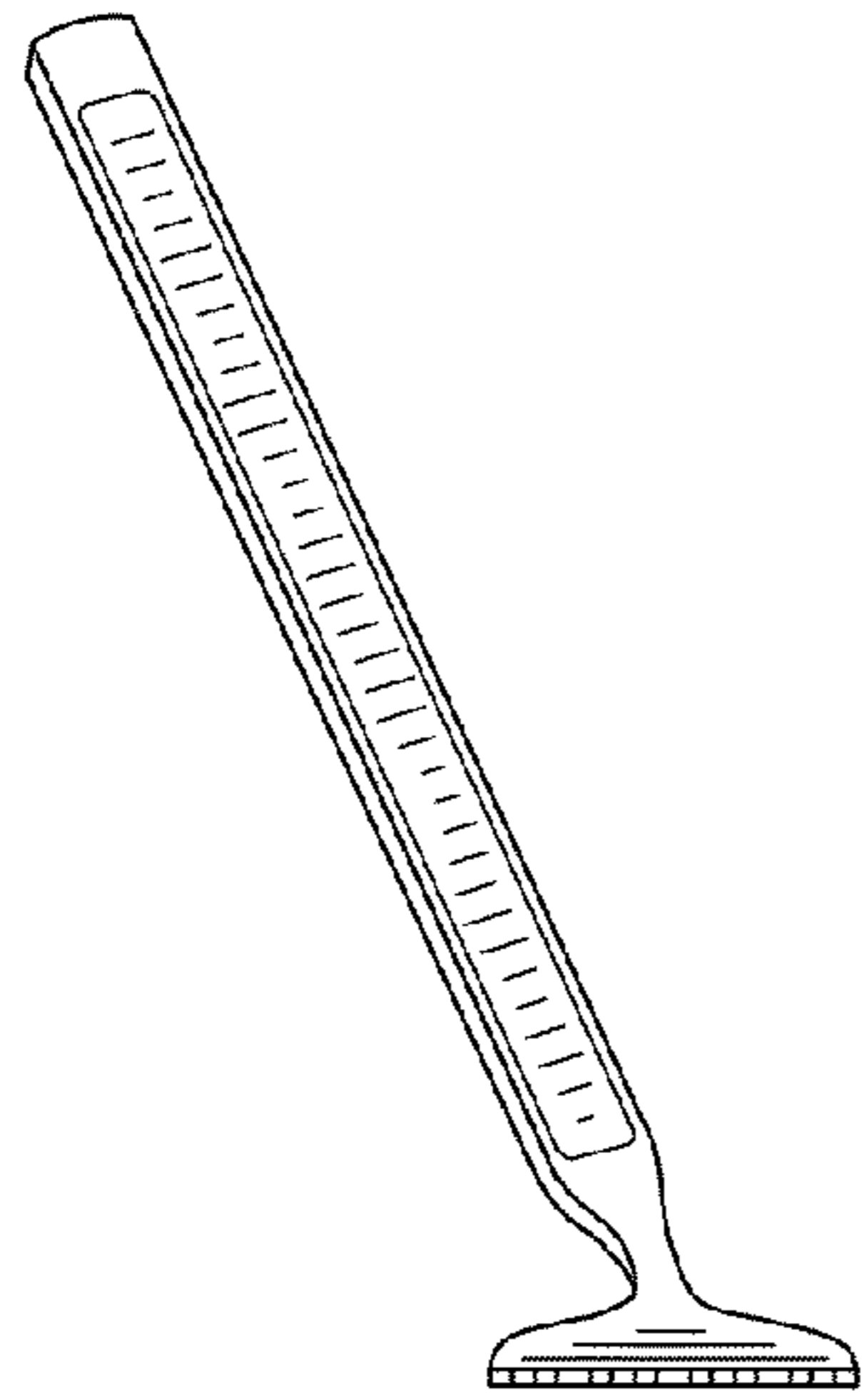


FIG. 18

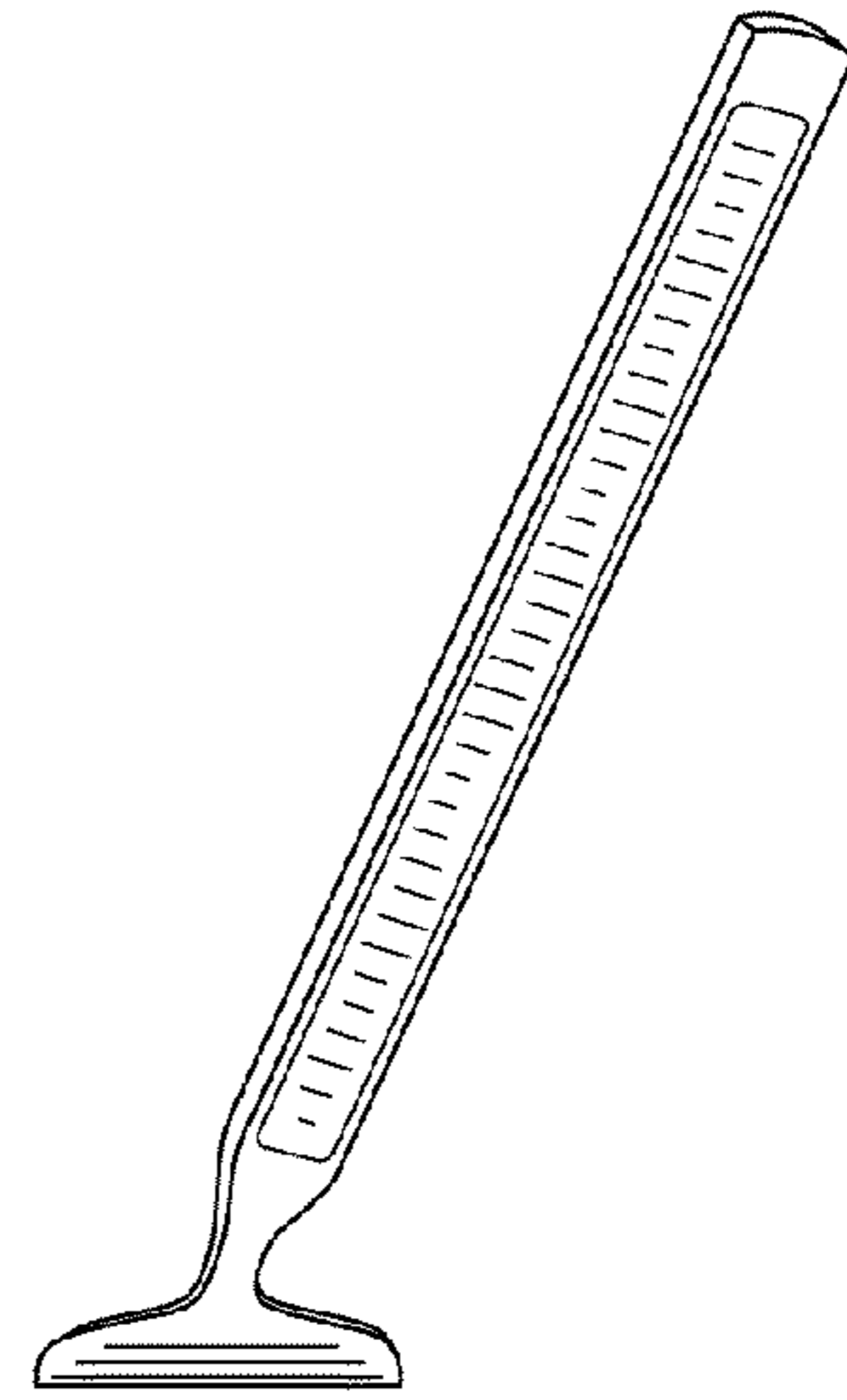


FIG. 19

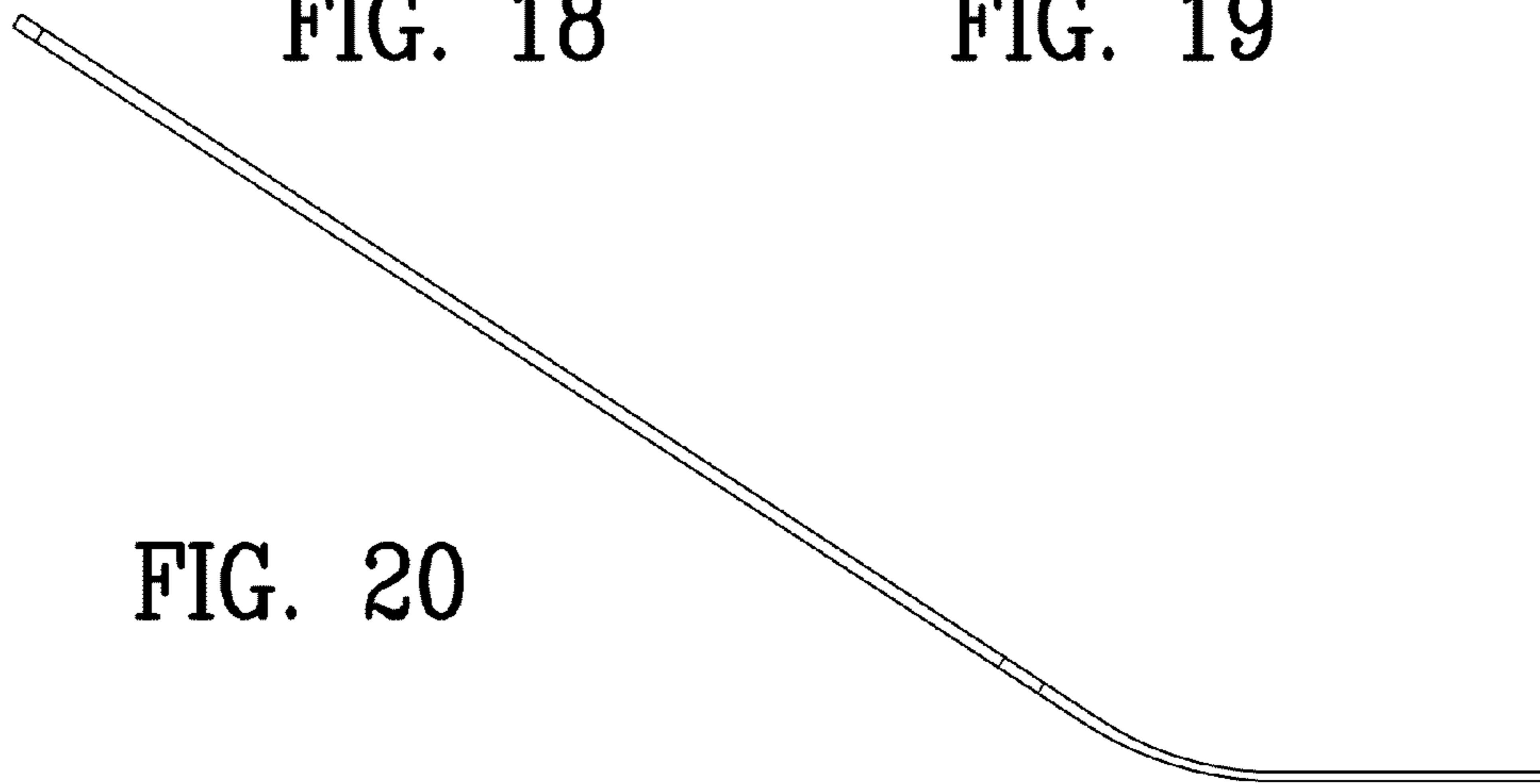


FIG. 20

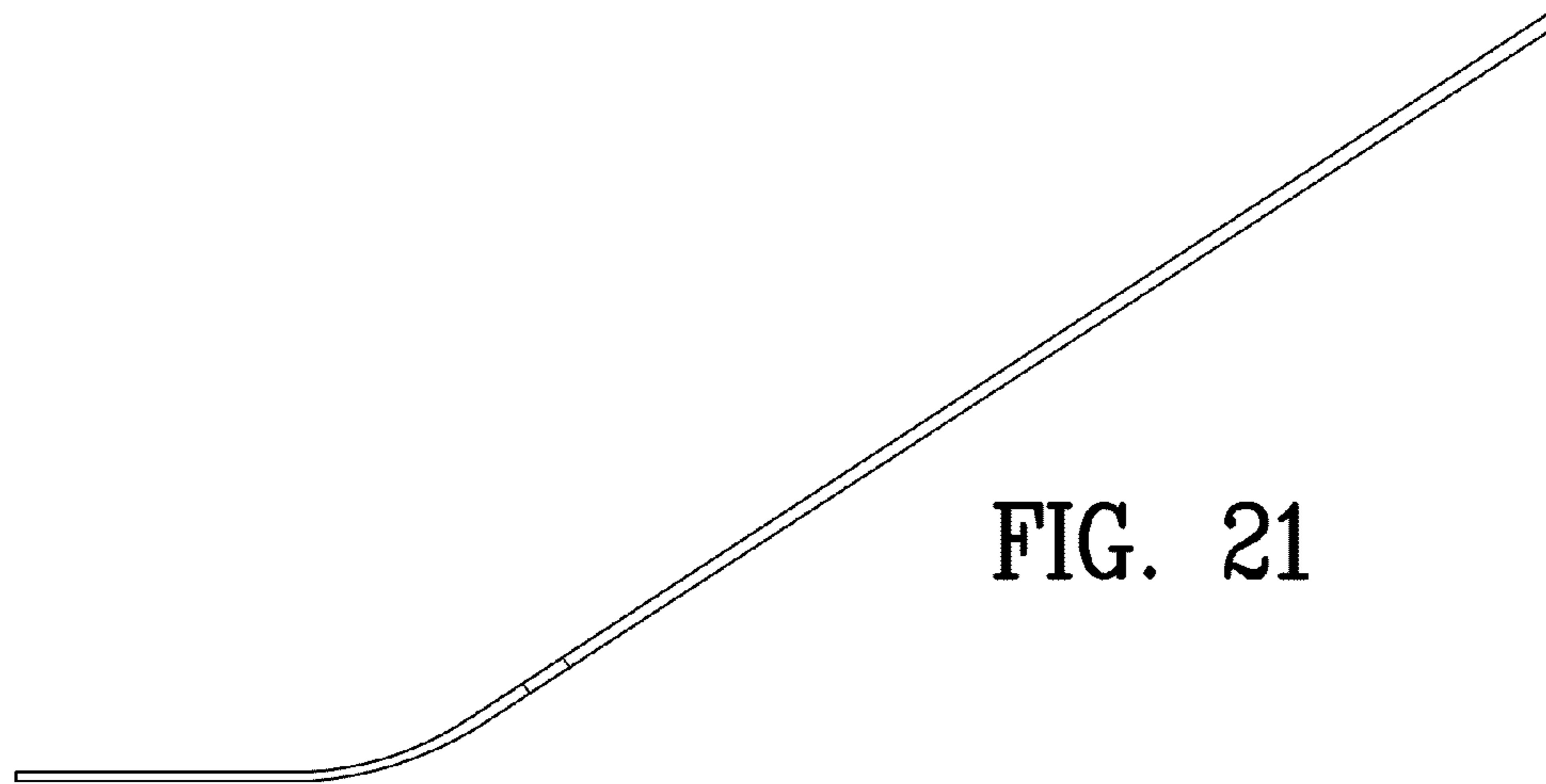


FIG. 21

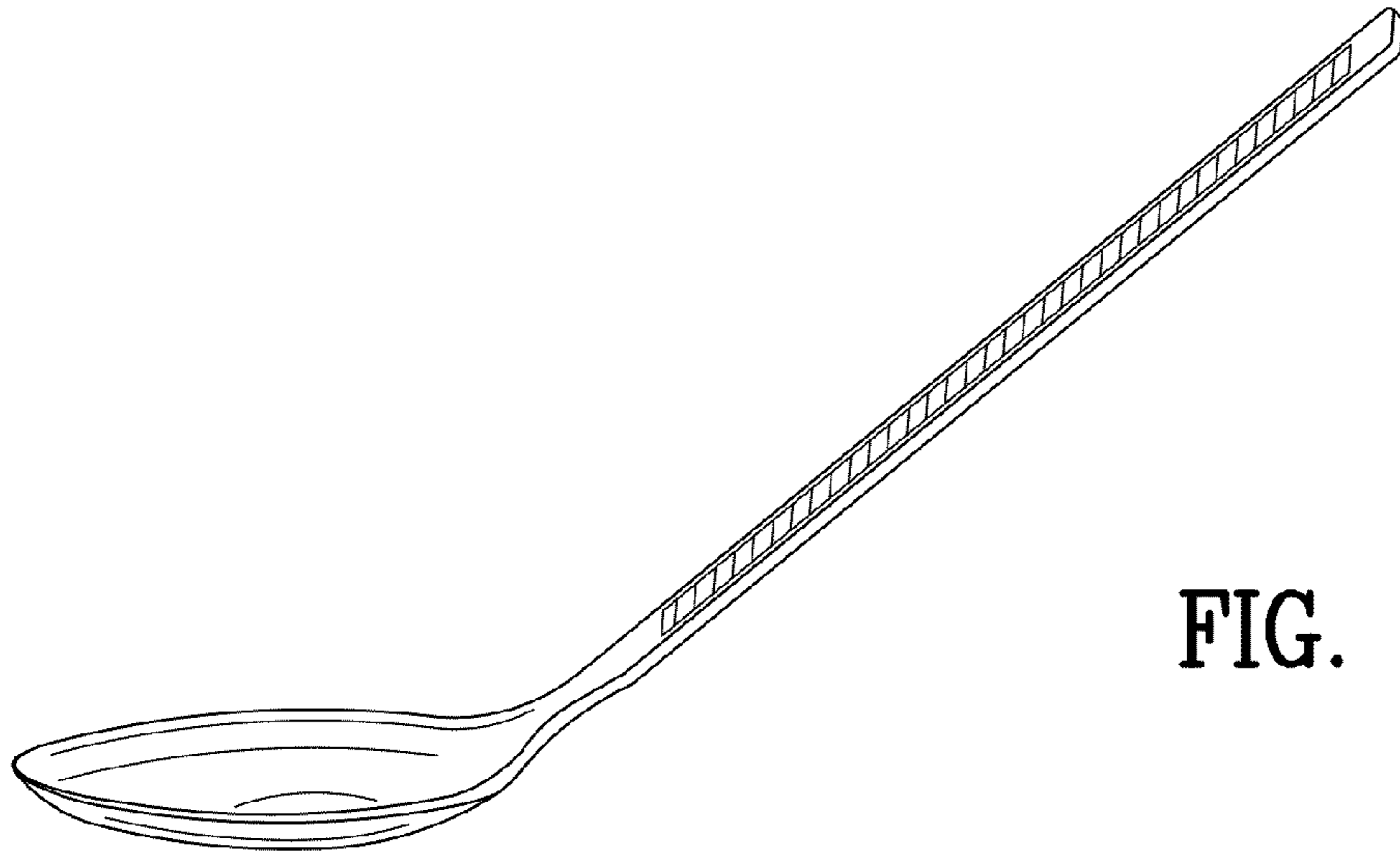


FIG. 22

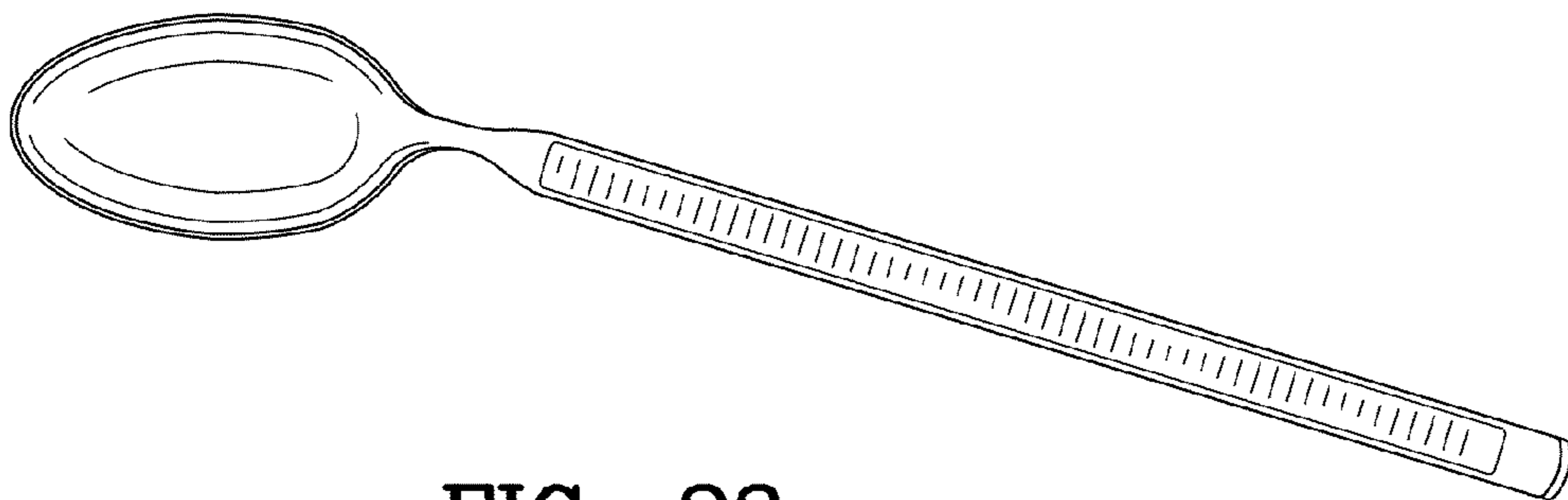


FIG. 23

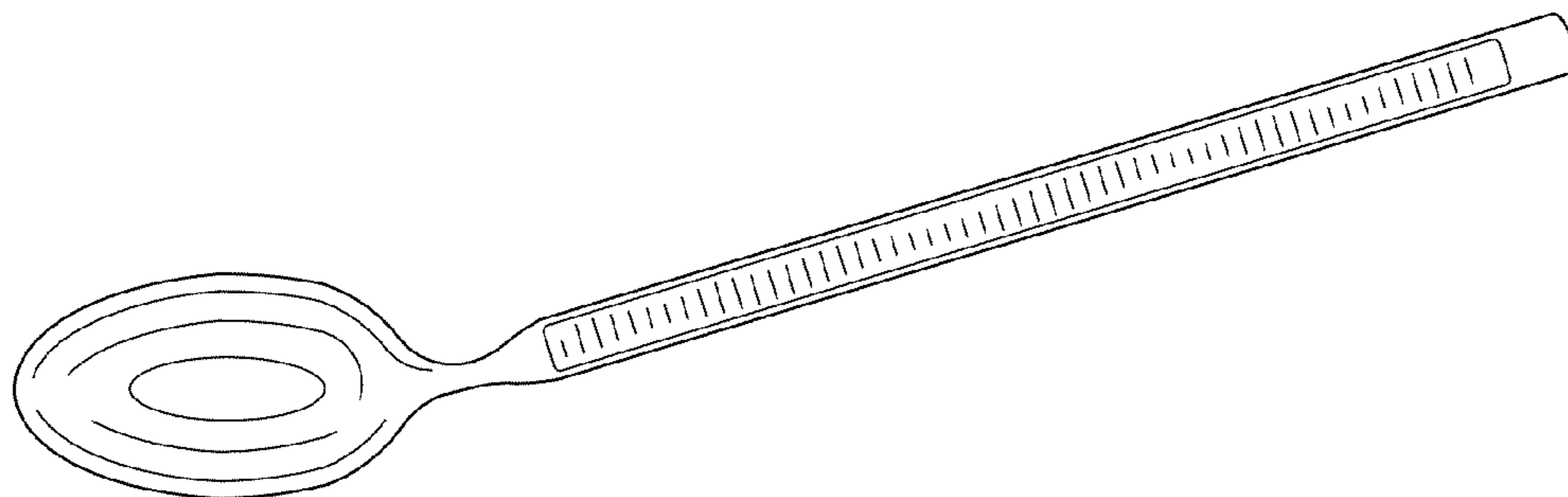


FIG. 24

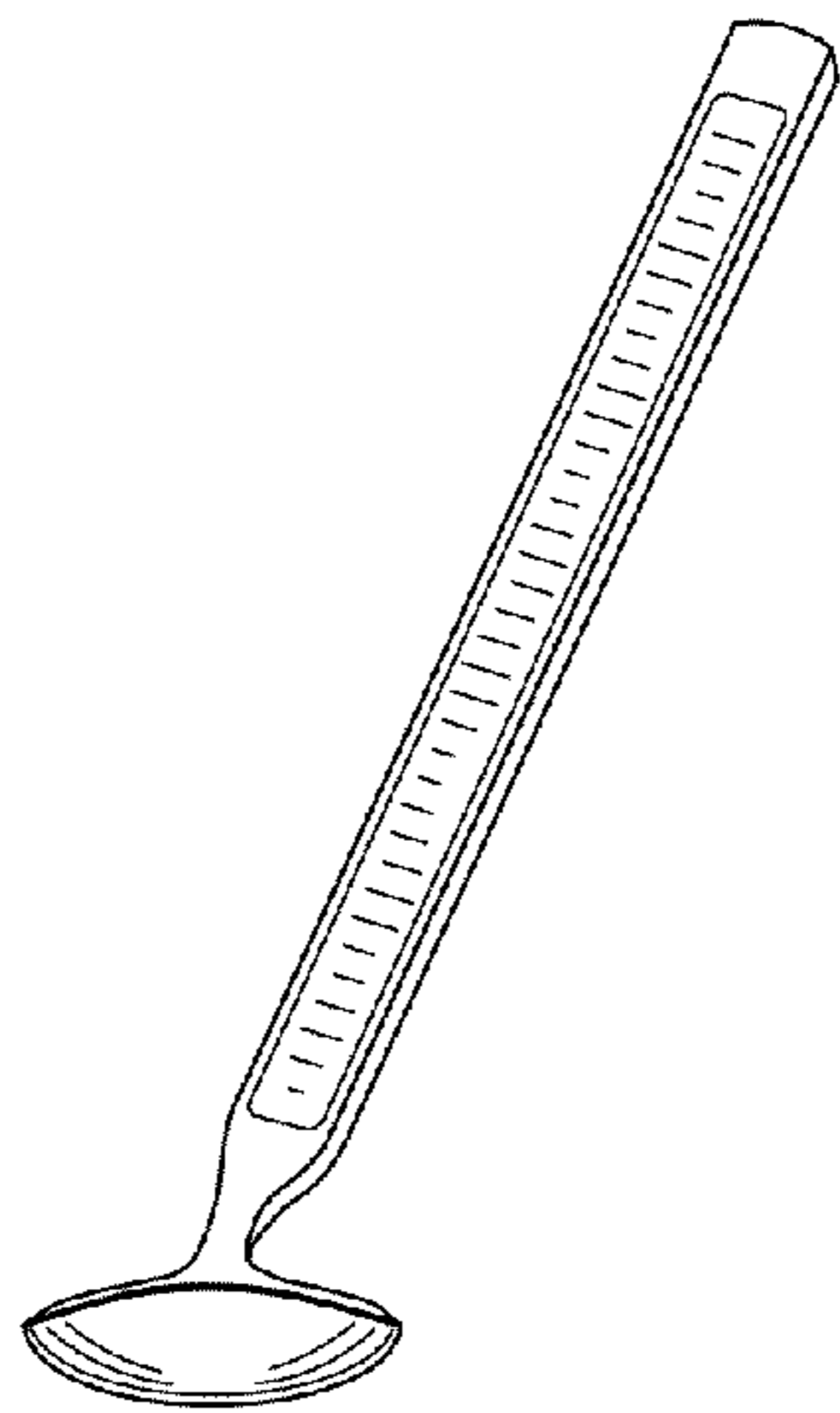


FIG. 25

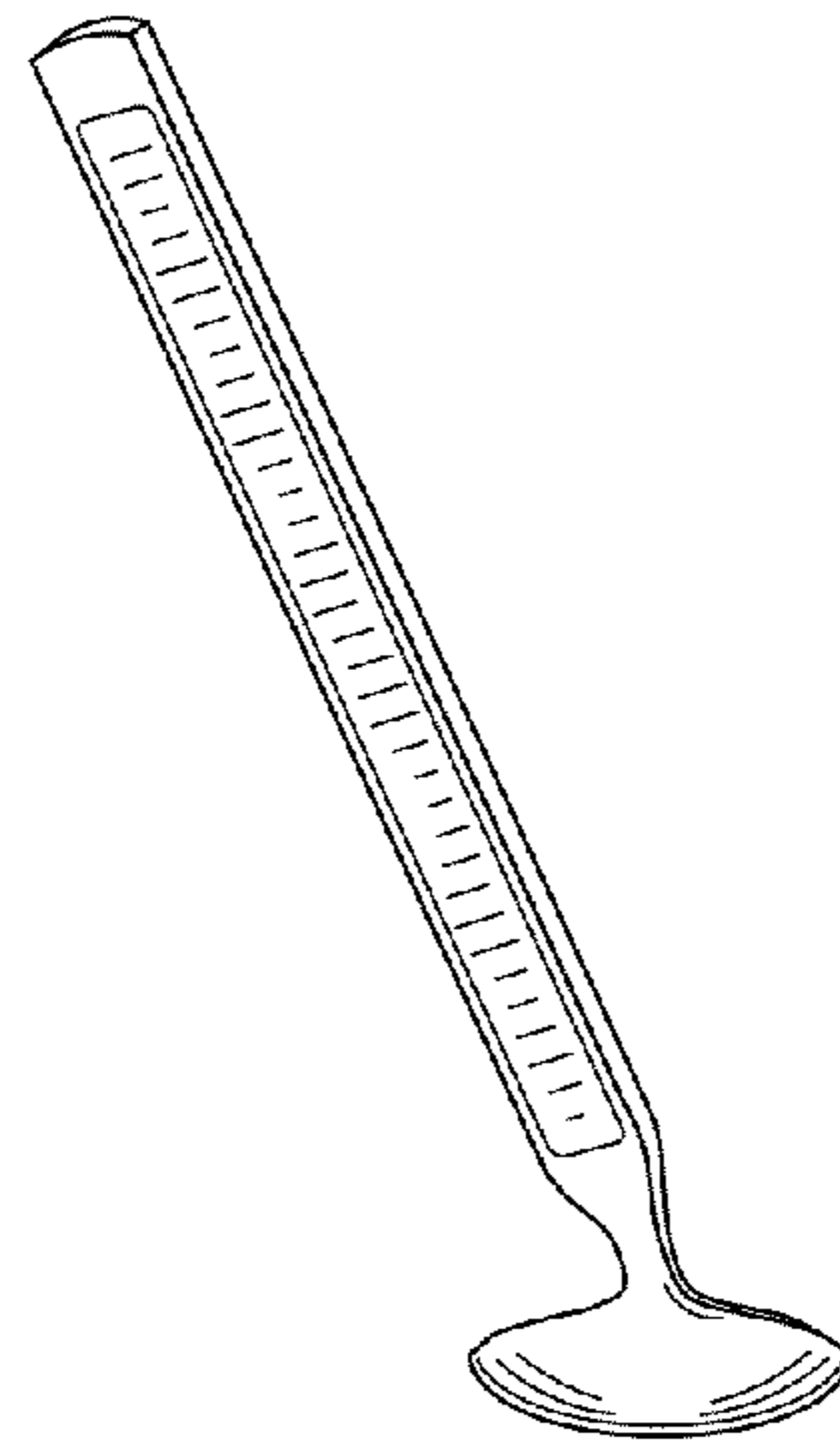


FIG. 26

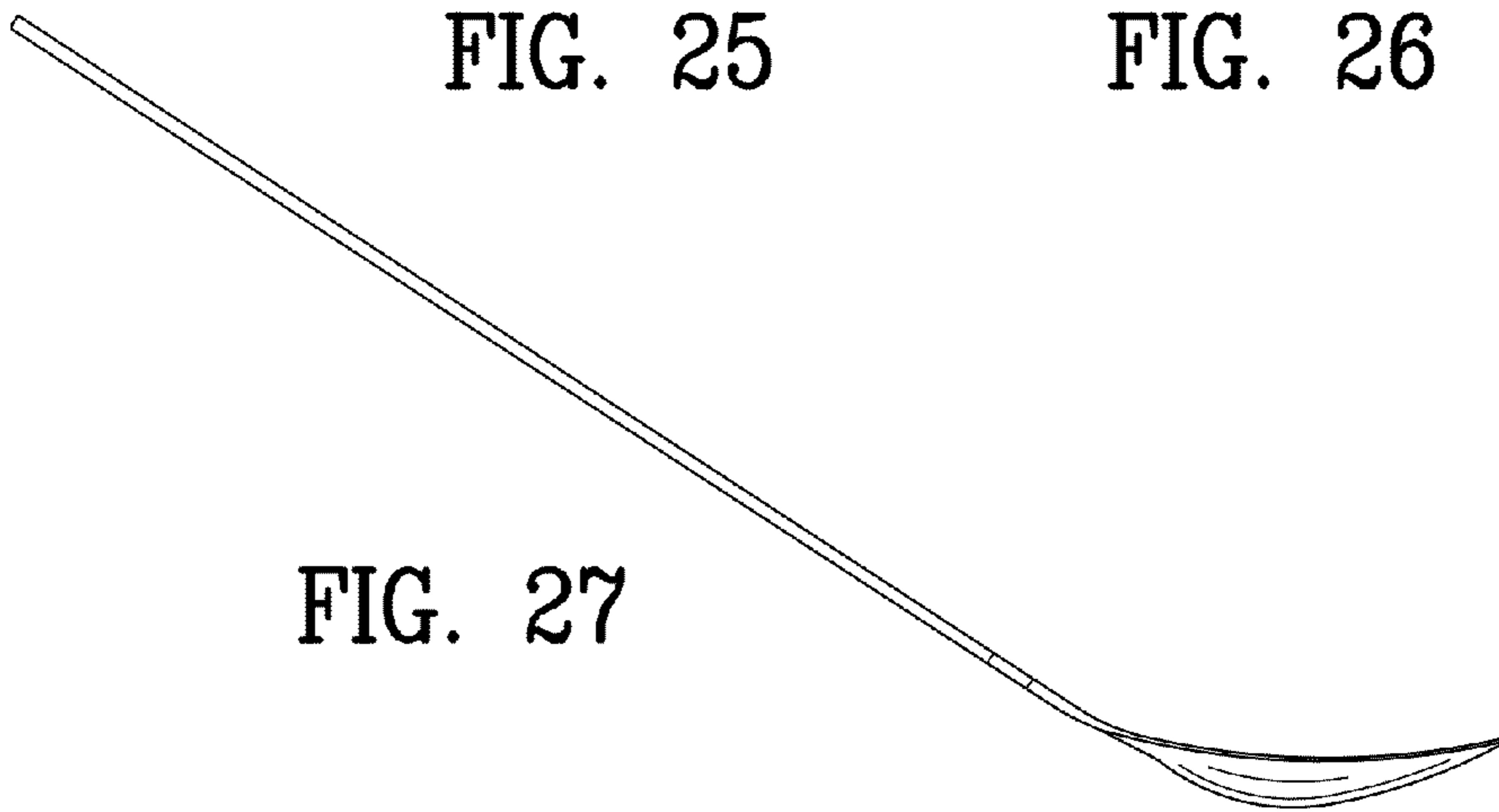


FIG. 27

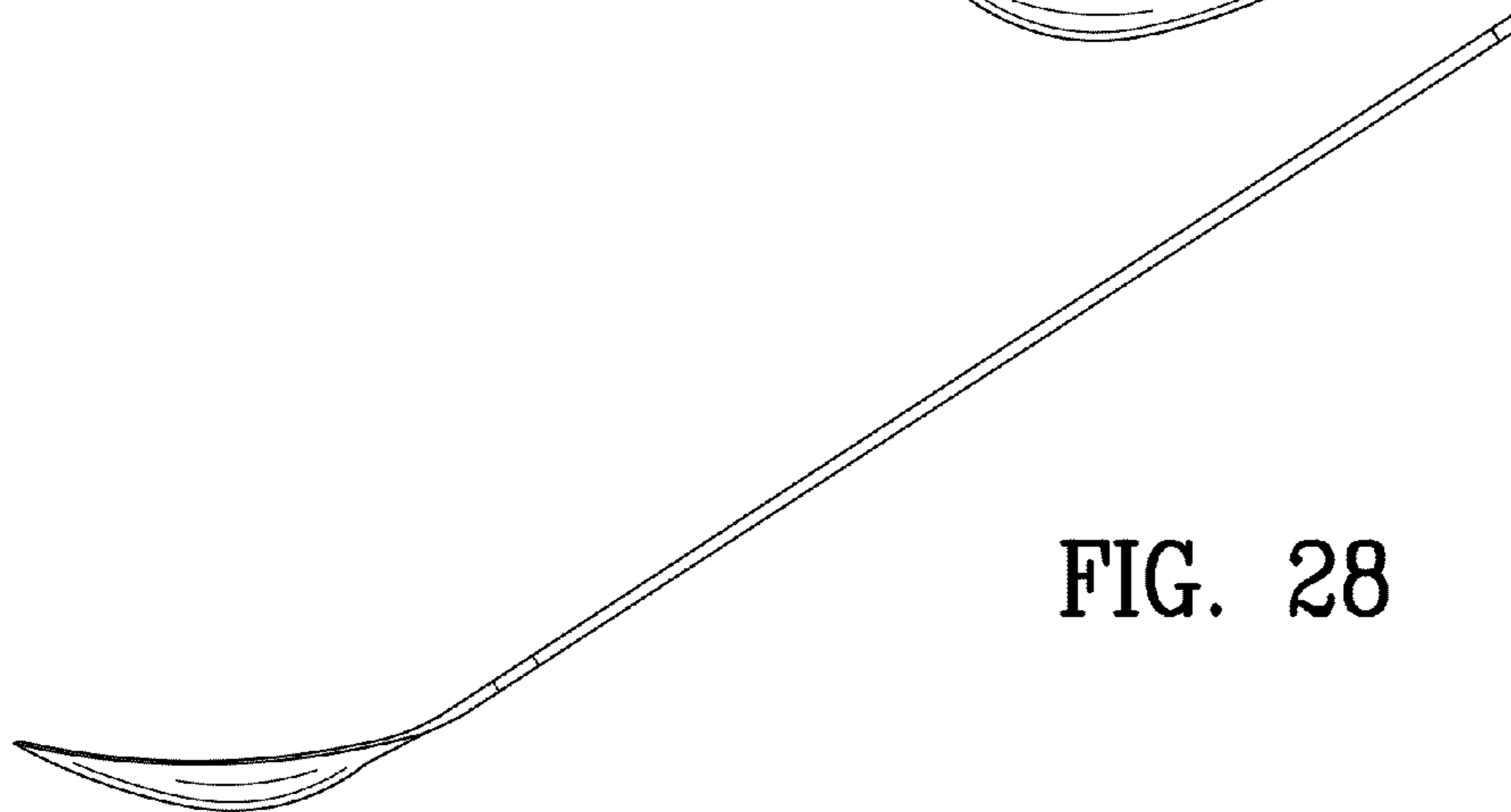


FIG. 28

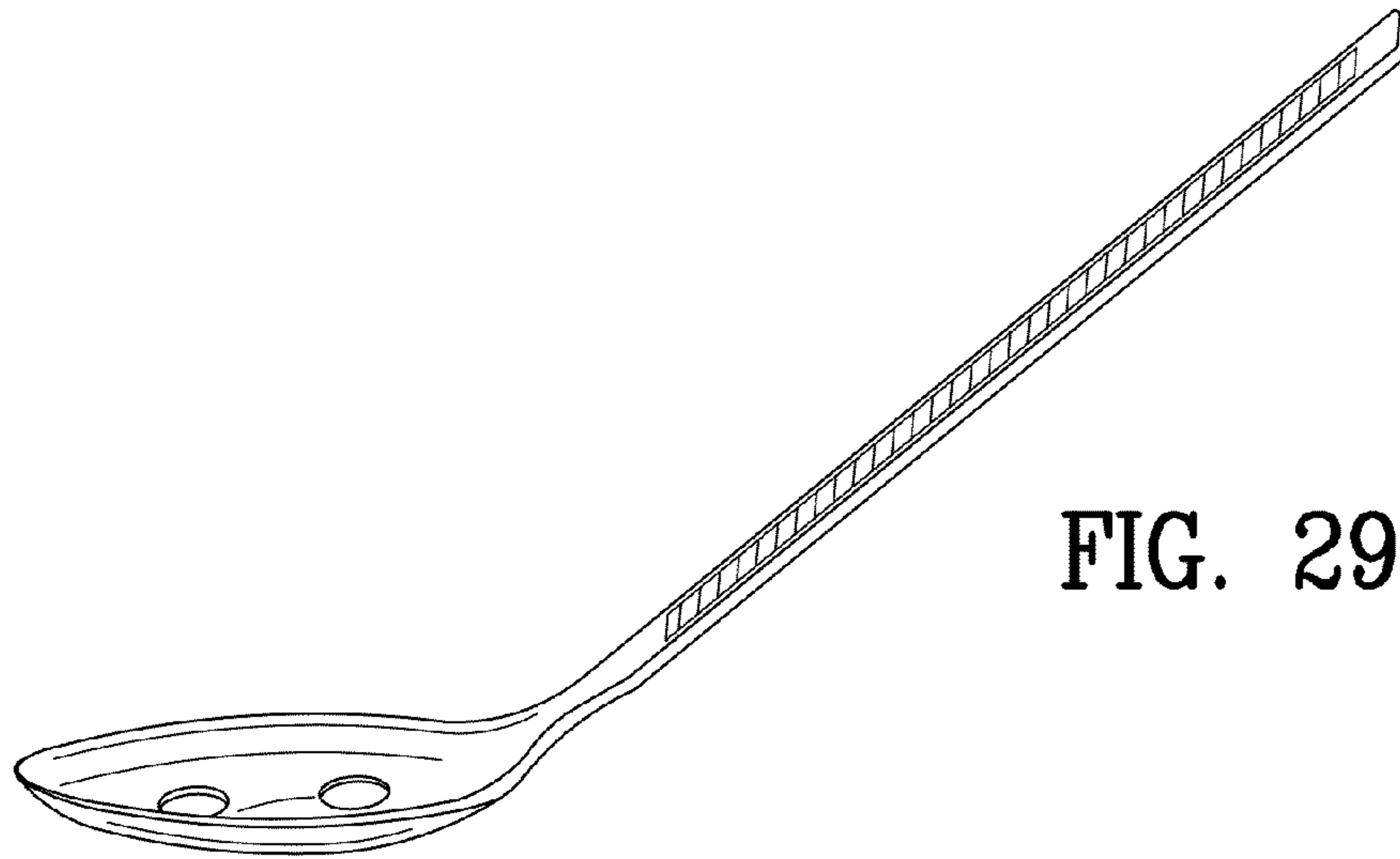


FIG. 29

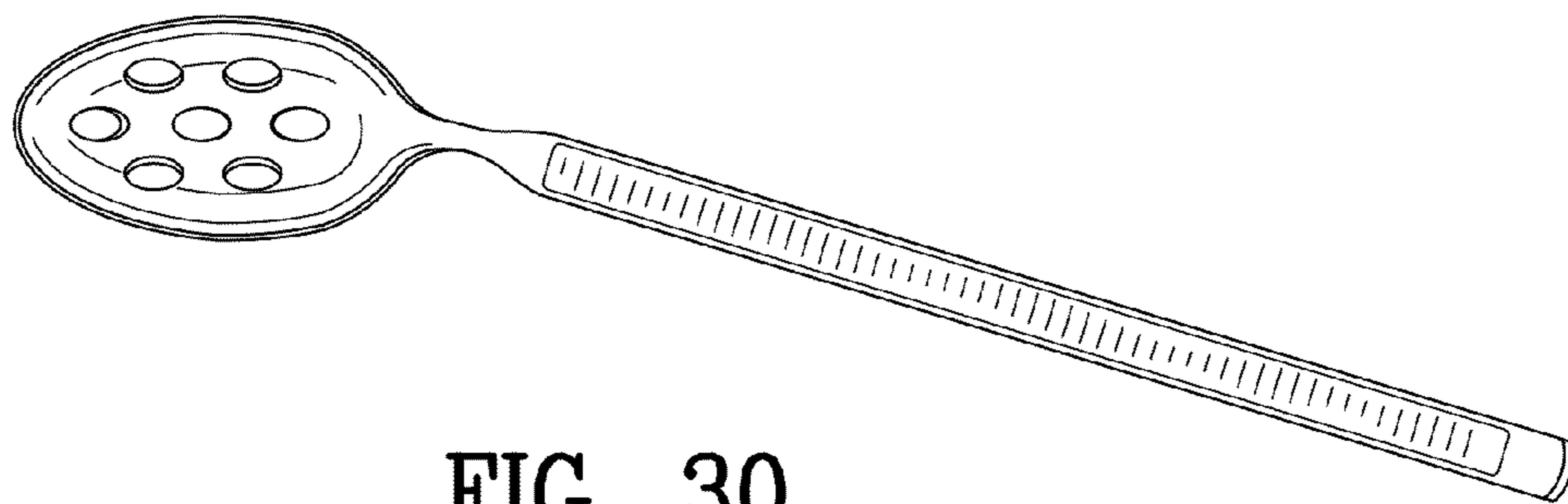


FIG. 30

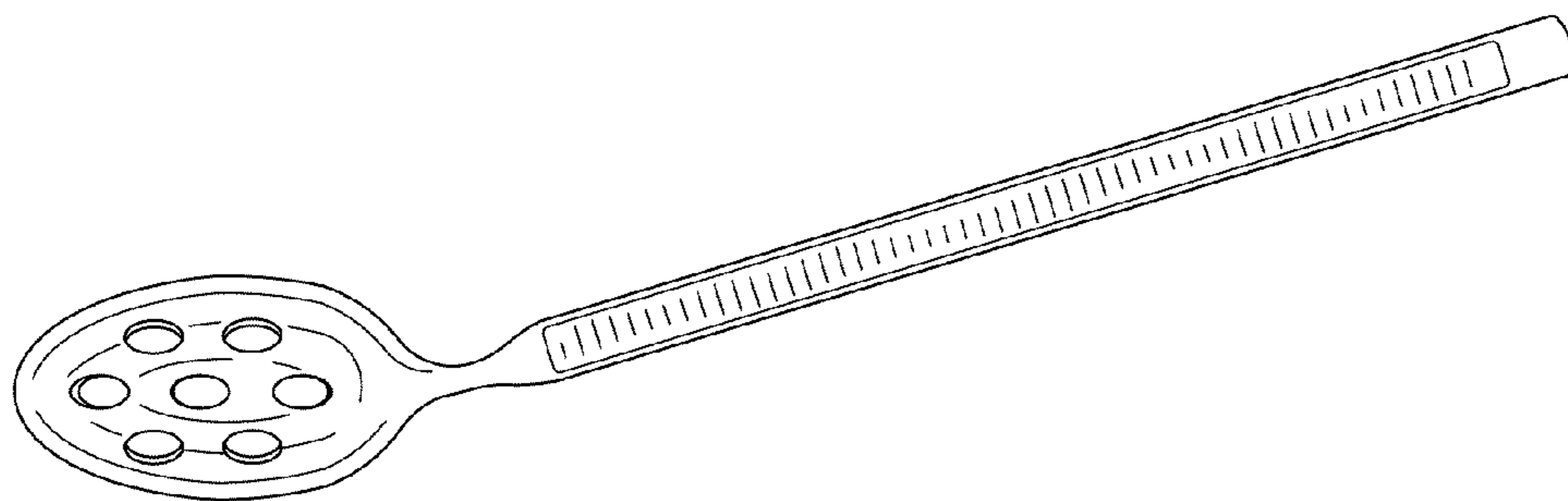


FIG. 31

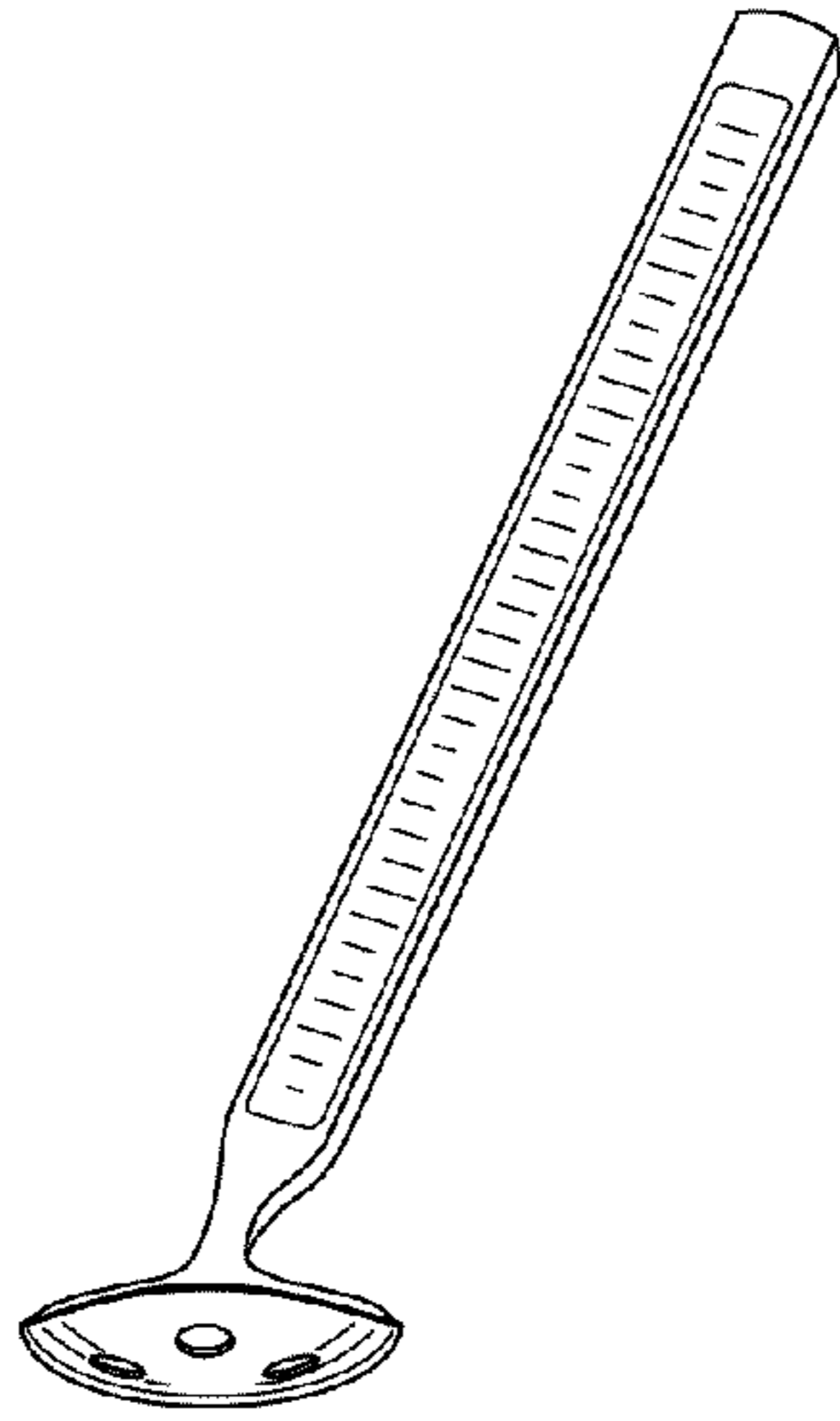


FIG. 32

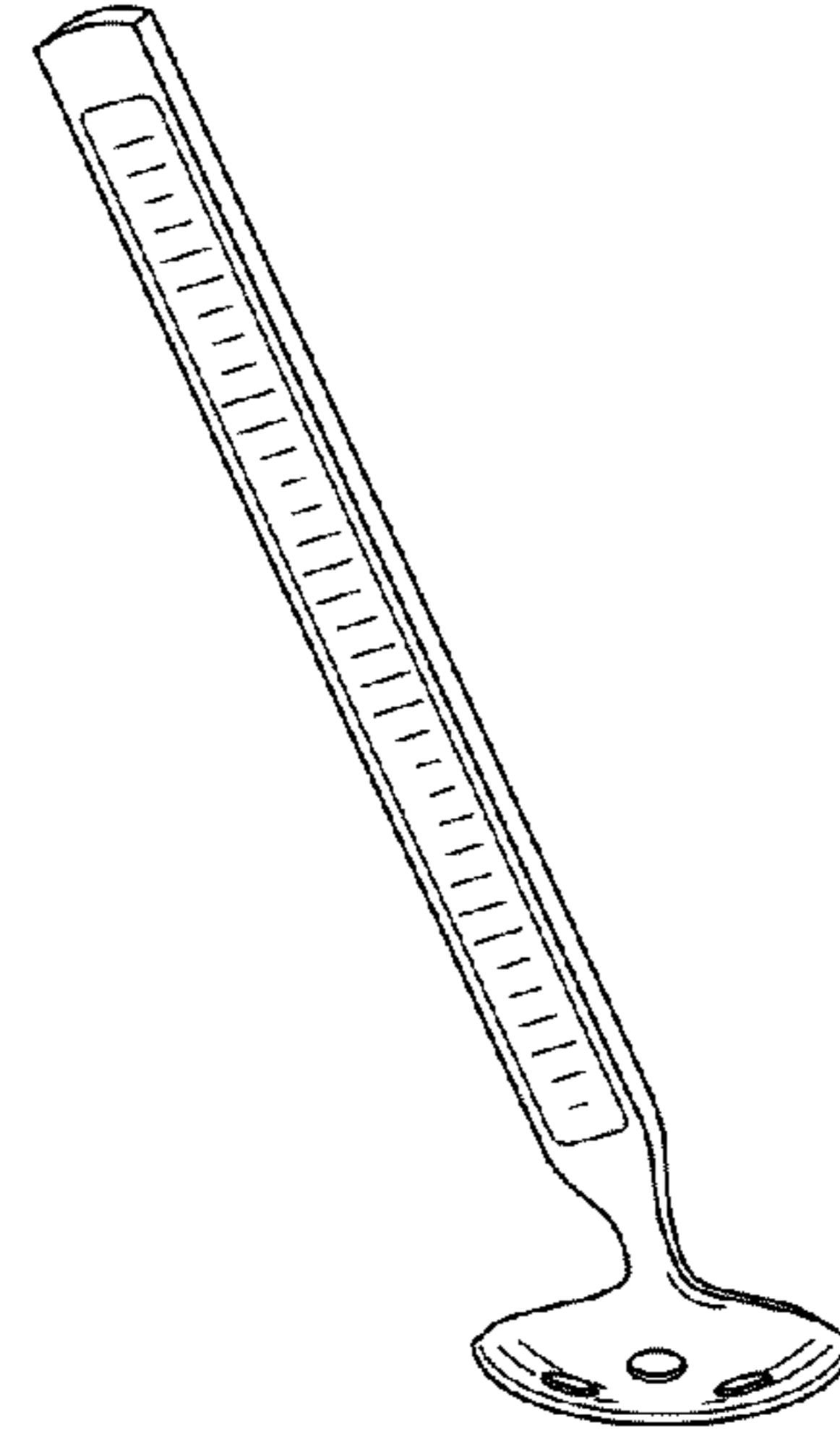


FIG. 33

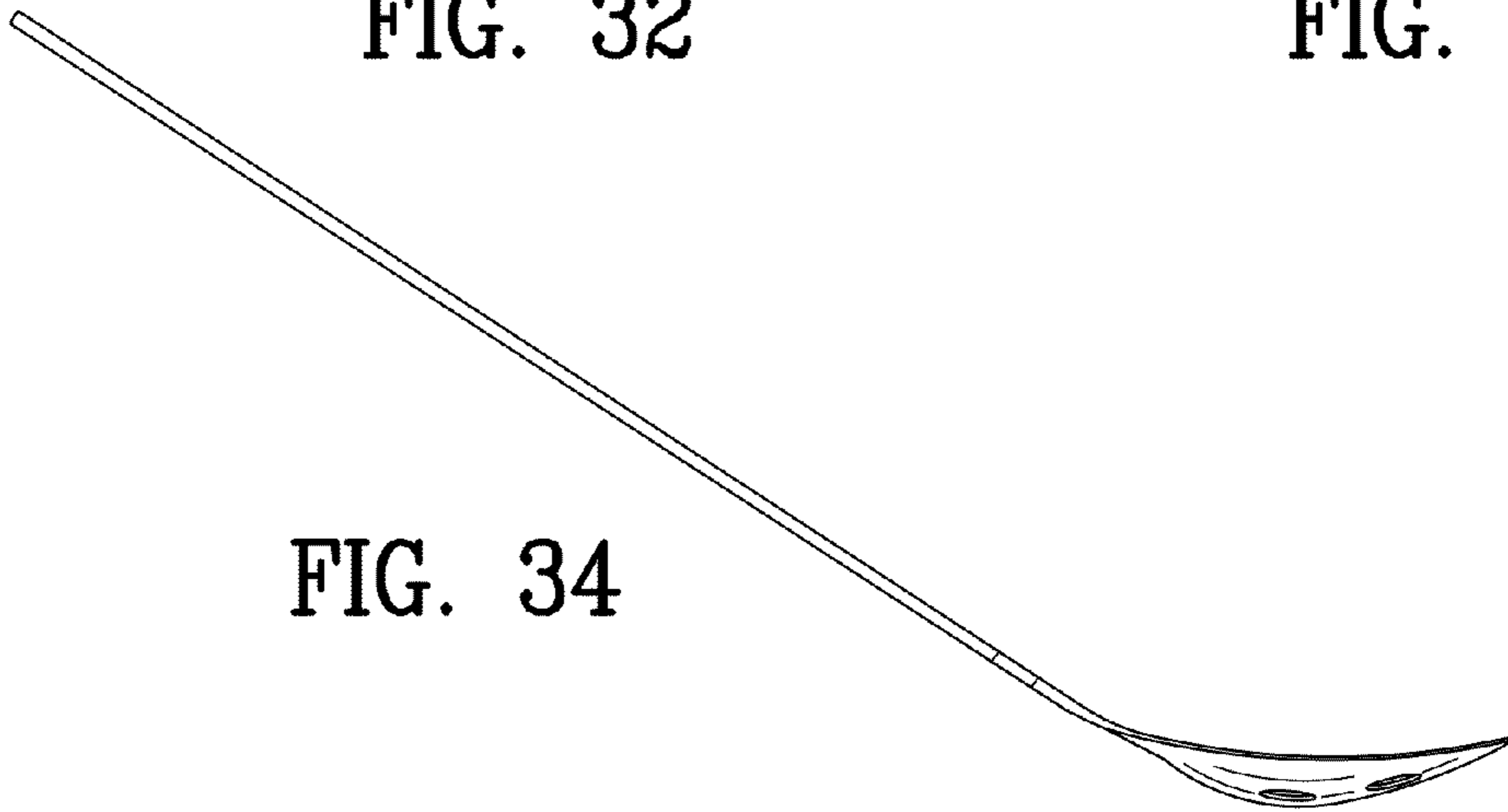


FIG. 34

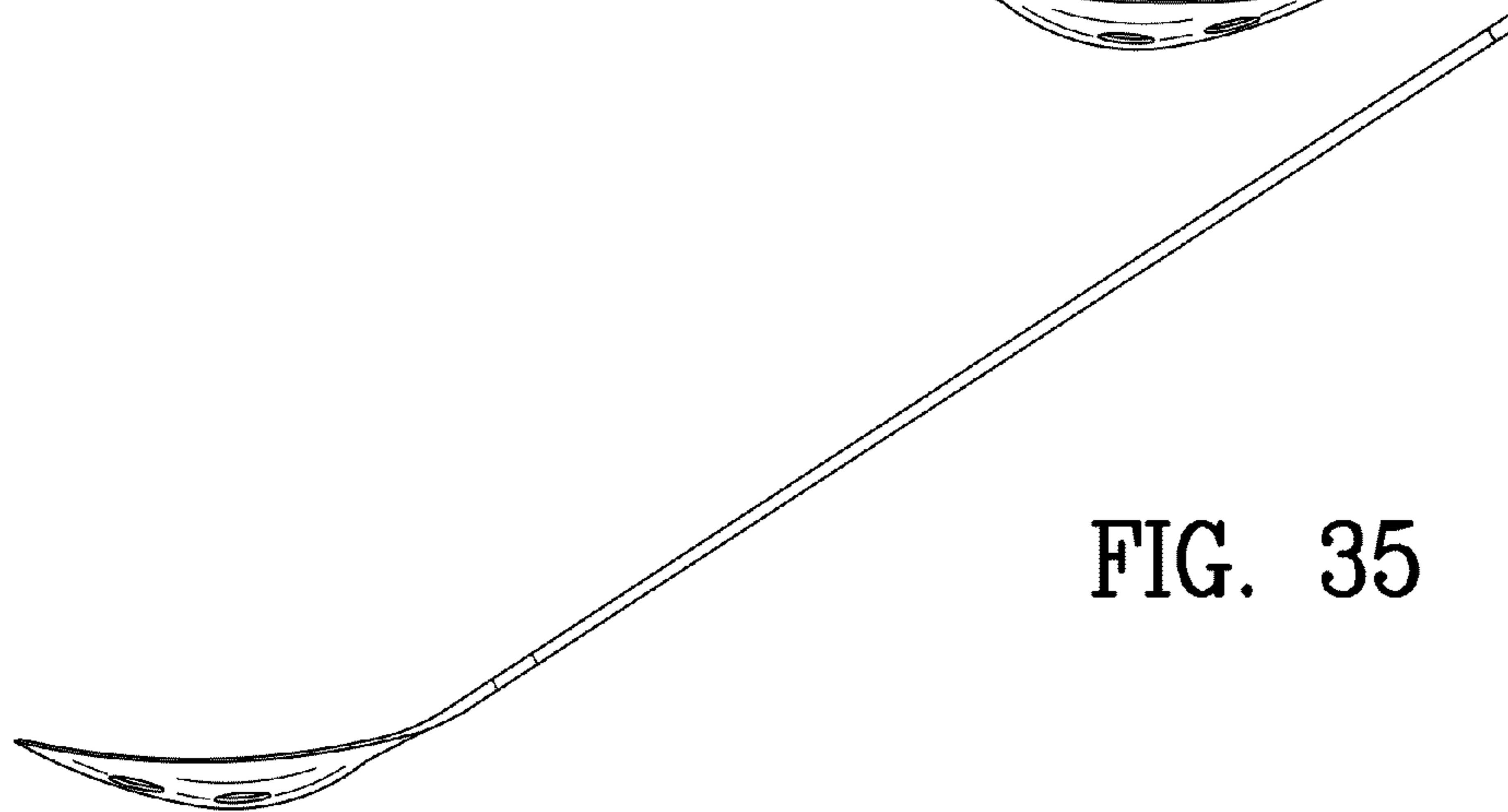


FIG. 35

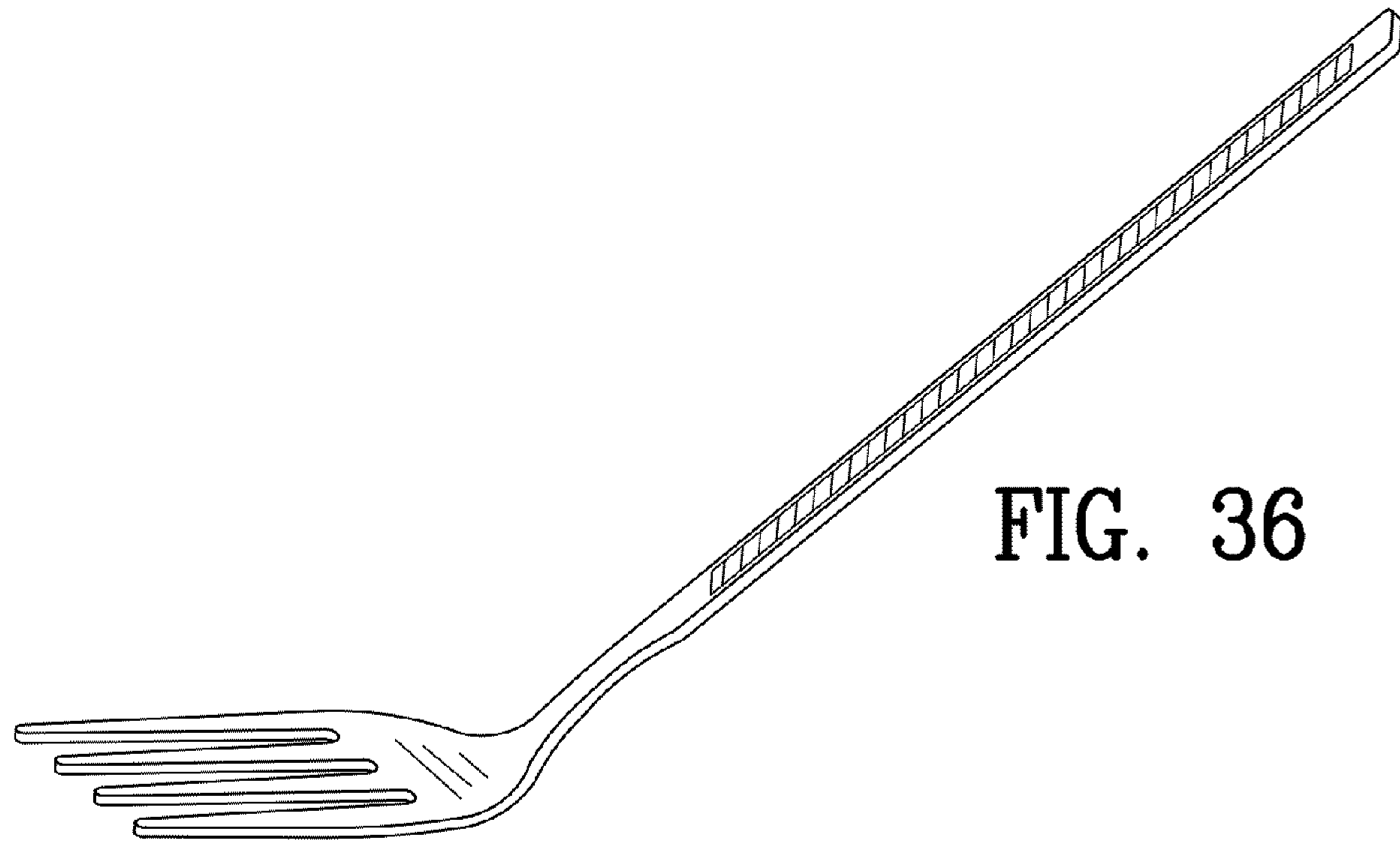


FIG. 36

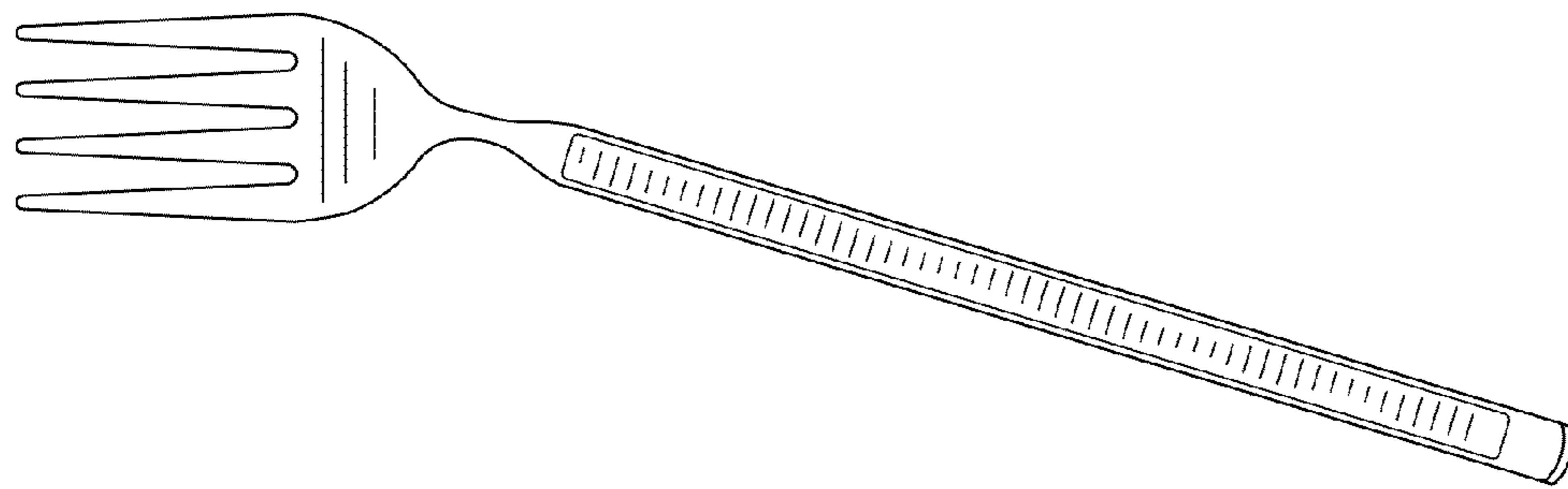


FIG. 37

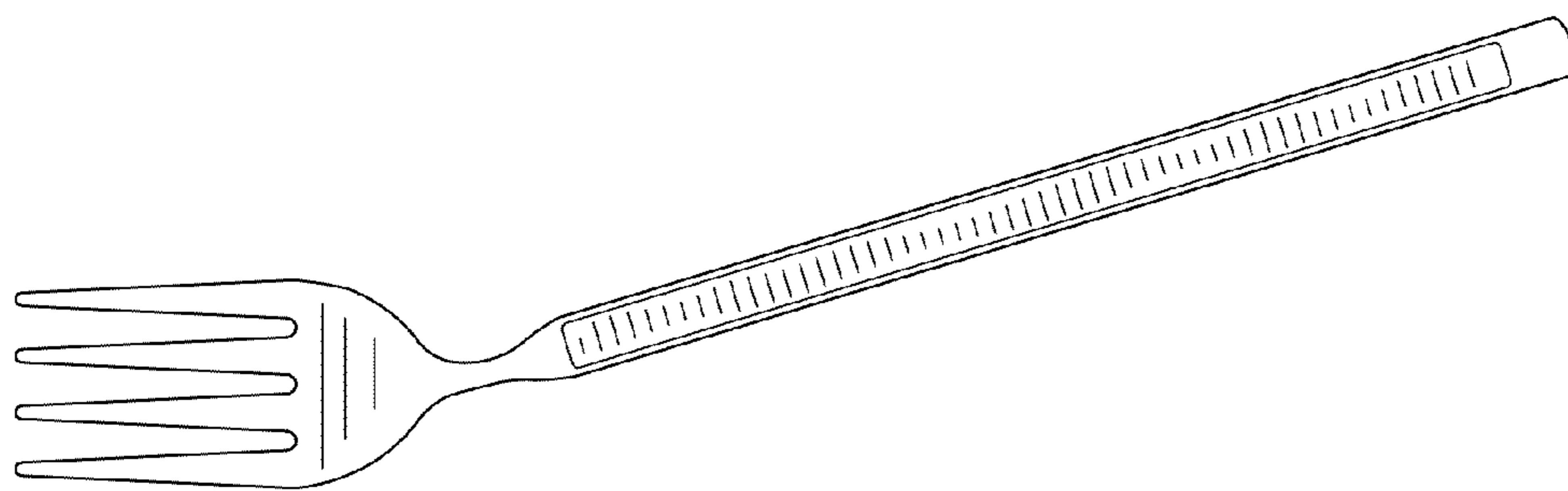


FIG. 38

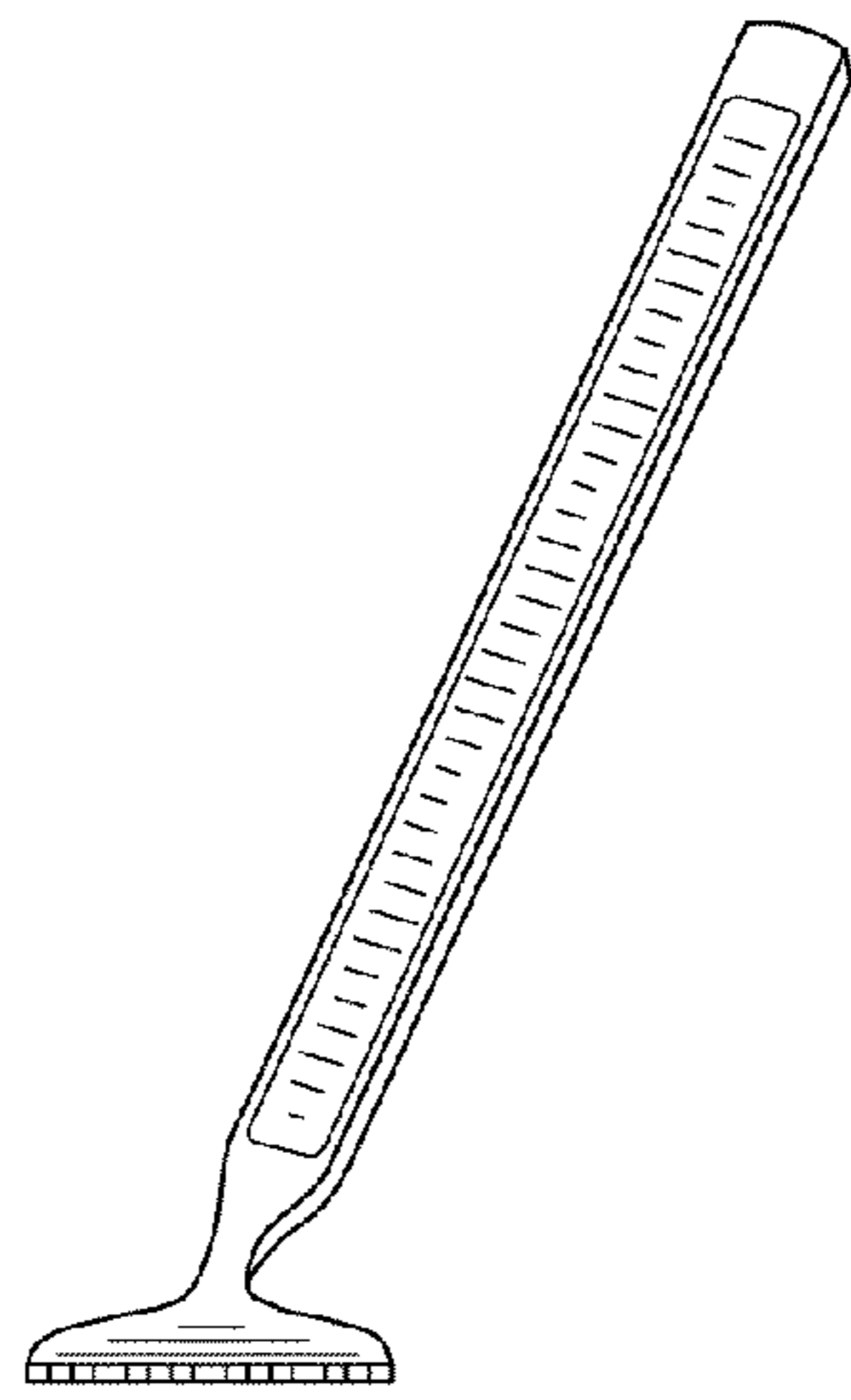


FIG. 39

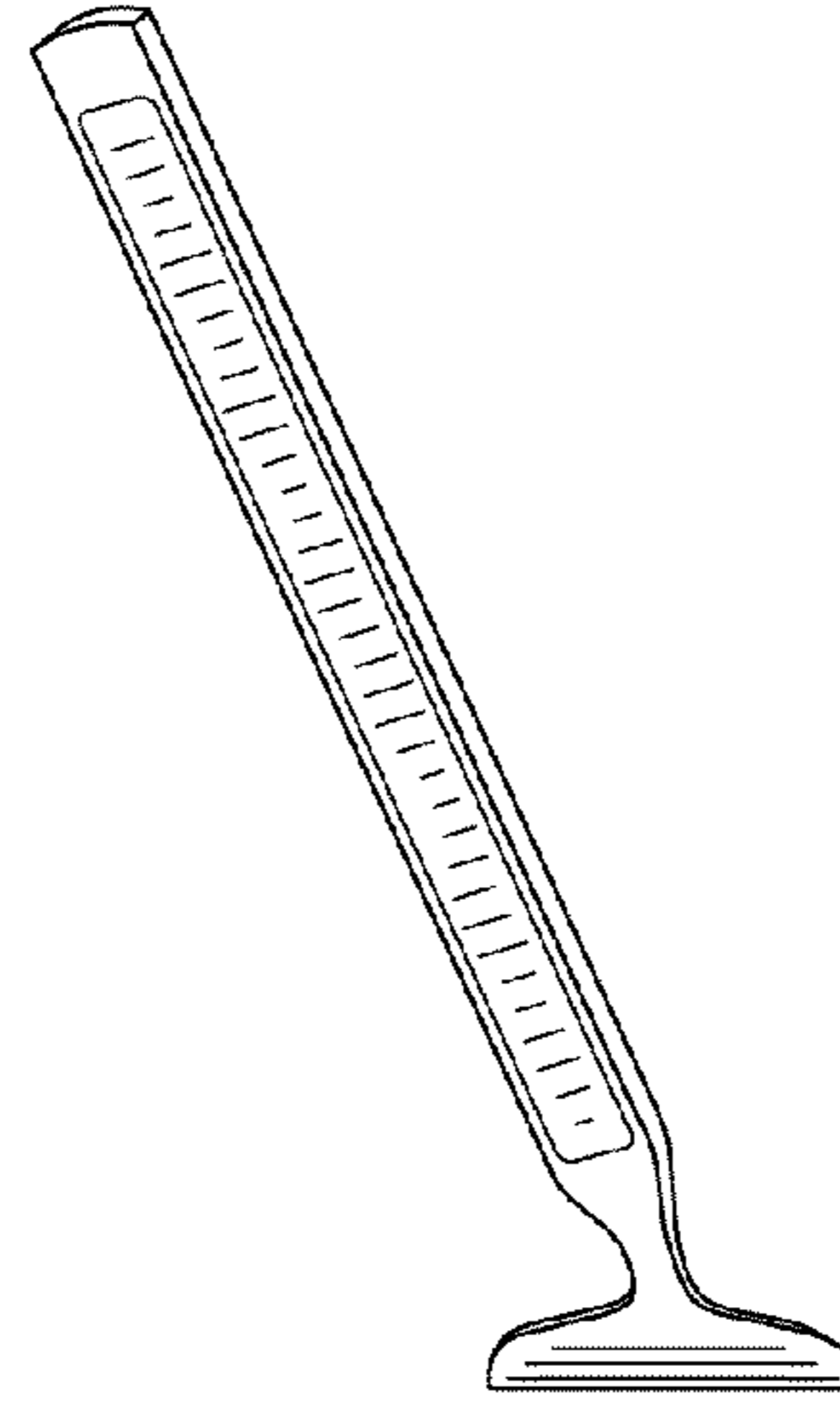


FIG. 40

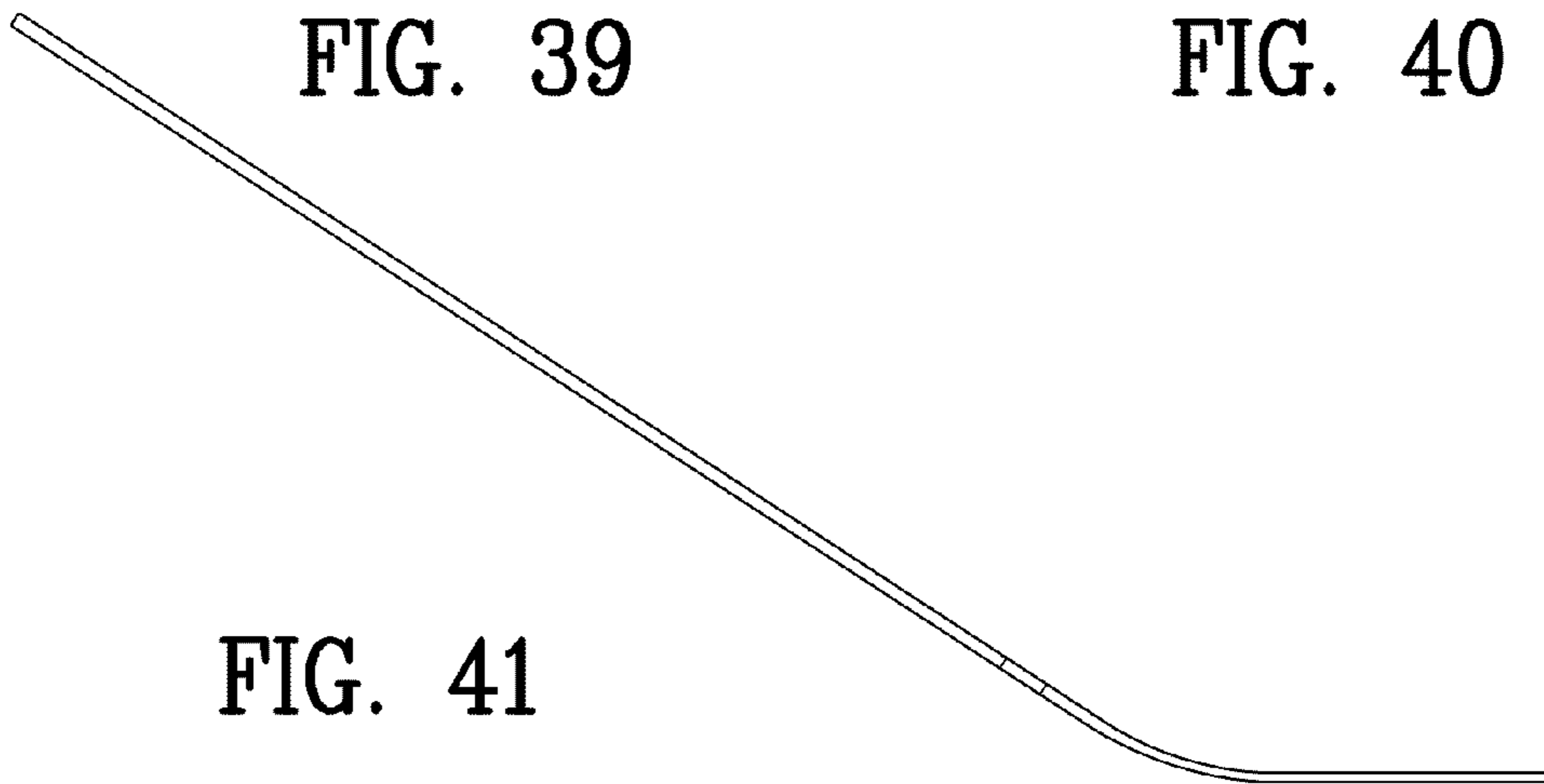


FIG. 41

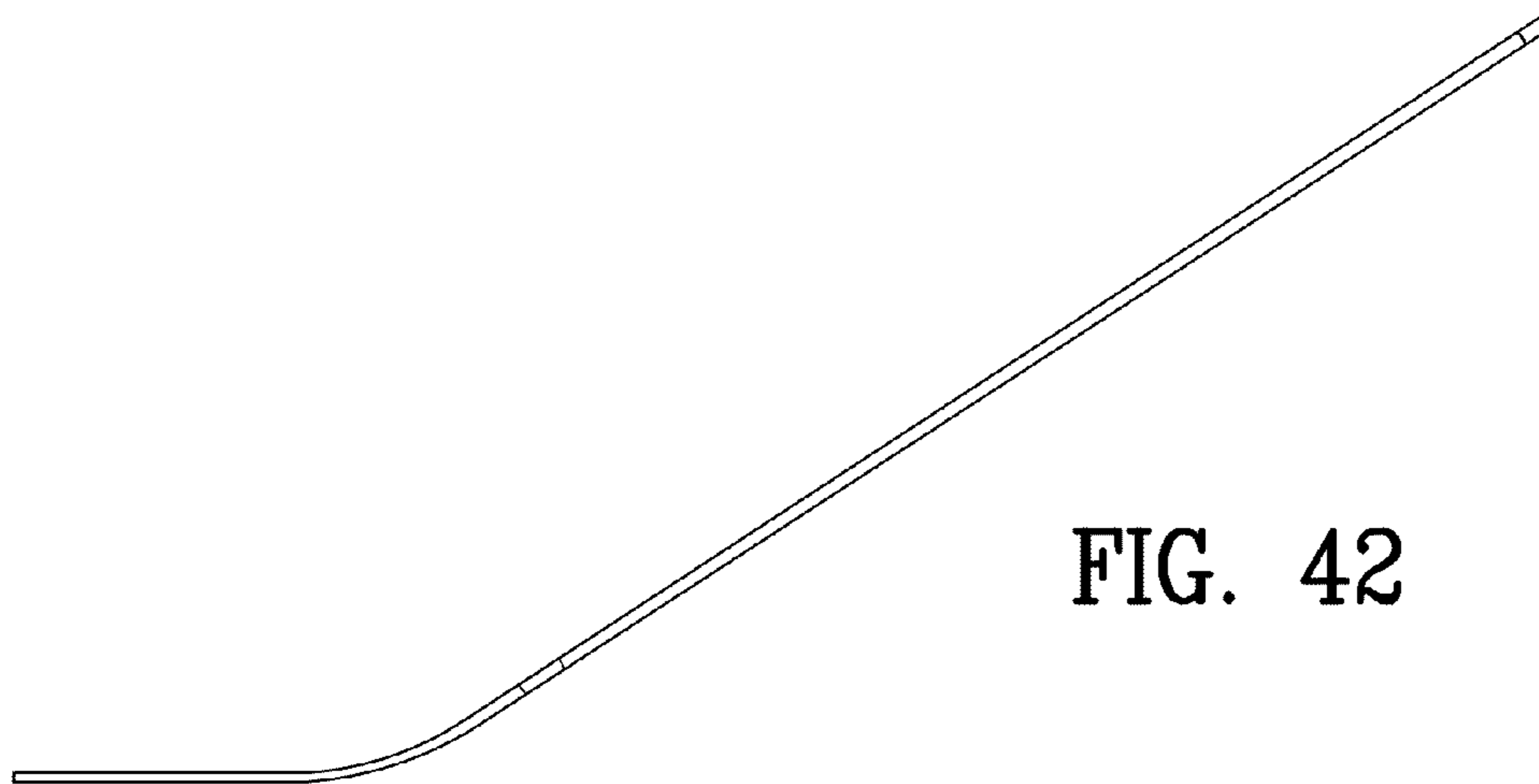


FIG. 42