



US00D758137S

(12) **United States Design Patent**
Soltz et al.

(10) **Patent No.:** **US D758,137 S**
(45) **Date of Patent:** **** Jun. 7, 2016**

- (54) **SLEEVE FOR A BOTTLE**
- (71) Applicant: **Tali Corp.**, San Francisco, CA (US)
- (72) Inventors: **Tal Soltz**, San Francisco, CA (US); **Kyle Lamson**, San Francisco, CA (US); **Michael J. Strasser**, San Francisco, CA (US)
- (73) Assignee: **Tali Corp.**, San Francisco, CA (US)
- (**) Term: **14 Years**
- (21) Appl. No.: **29/487,450**
- (22) Filed: **Apr. 8, 2014**
- (51) **LOC (10) Cl.** **07-01**
- (52) **U.S. Cl.**
USPC **D7/624.2; D7/608**
- (58) **Field of Classification Search**
USPC D7/619.1–625, 603–608;
62/457.1–457.9, 529, 530; 215/12.1,
215/12.2, 13.1, 394–396, 11.6; 220/592.2,
220/592.17, 592.24, 737–739, 902, 903
CPC A47G 23/02; A47G 23/0266; A47G
2023/0275; A47G 2023/0291; A61J 9/08;
B65D 81/3876; B65D 81/3888; B65D 81/3883
See application file for complete search history.

Primary Examiner — Terry Wallace
(74) *Attorney, Agent, or Firm* — Loginov & Associates, PLLC; William A. Loginov

(57) **CLAIM**
The ornamental design for a sleeve for a bottle, as shown and described.

DESCRIPTION

FIG. 1 is a perspective view of a sleeve for a bottle, according to a first embodiment;
 FIG. 2 is a front view of the sleeve for a bottle, according to the first embodiment;
 FIG. 3 is a rear view of the sleeve for a bottle, according to the first embodiment;
 FIG. 4 is a right side view of the sleeve for a bottle, according to the first embodiment;
 FIG. 5 is a left side view of the sleeve for a bottle, according to the first embodiment;
 FIG. 6 is a top view of the sleeve for a bottle, according to the first embodiment;
 FIG. 7 is a bottom view of the sleeve for a bottle, according to the first embodiment;
 FIG. 8 is a perspective view of a sleeve for a bottle, according to a second embodiment;
 FIG. 9 is a front view of the sleeve for a bottle, according to the second embodiment;
 FIG. 10 is a rear view of the sleeve for a bottle, according to the second embodiment;
 FIG. 11 is a right side view of the sleeve for a bottle, according to the second embodiment;
 FIG. 12 is a left side view of the sleeve for a bottle, according to the second embodiment;
 FIG. 13 is a top view of the sleeve for a bottle, according to the second embodiment; and,
 FIG. 14 is a bottom view of the sleeve for a bottle, according to the second embodiment.
 The broken line elements in all views are for illustrative and environmental purposes only and form no part of the claimed design.

- (56) **References Cited**
U.S. PATENT DOCUMENTS

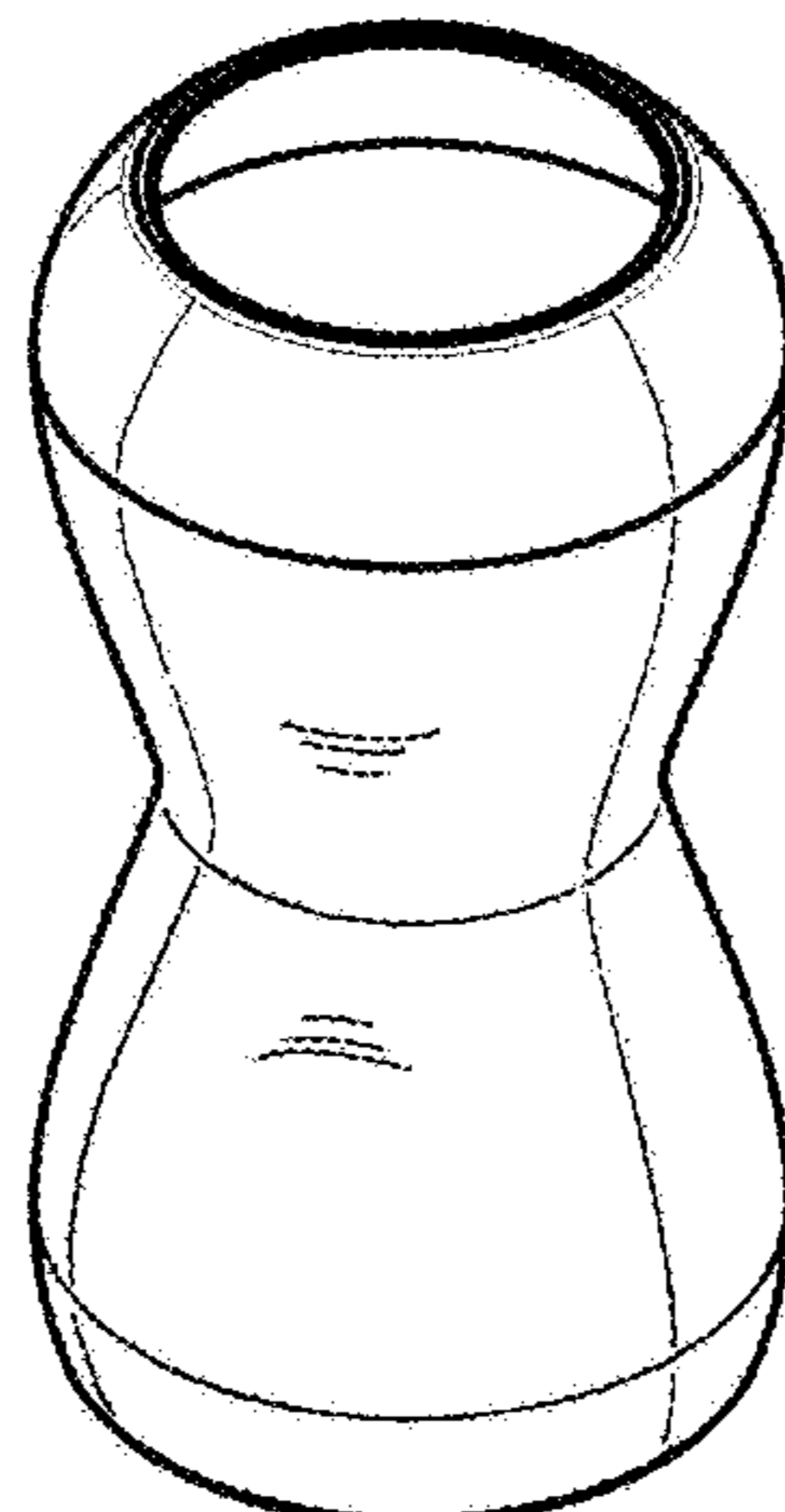
D156,089 S 11/1949 Fuerst
3,374,298 A 3/1968 Studen
(Continued)

- FOREIGN PATENT DOCUMENTS
FR 2893918 A1 6/2007

- OTHER PUBLICATIONS

Carom, "The Bottle Bridle Bottle Carrier", Apr. 25, 2014, Publisher: retrieved from <http://web.archive.org/web/20070807013250/http://www.carom.virtual-space.com/botcry>.

1 Claim, 9 Drawing Sheets



(56)

References Cited

U.S. PATENT DOCUMENTS

3,967,993 A	7/1976	Isomi	7,152,750 B2	12/2006	Coffey
3,979,000 A	9/1976	Karabedian	D539,607 S	4/2007	Lapsker
4,138,026 A	2/1979	Conklin	D543,776 S	6/2007	Yelland
4,248,366 A	2/1981	Christiansen	D547,611 S	7/2007	Seum et al.
4,514,995 A	5/1985	Curtis et al.	D550,562 S	9/2007	Yew
4,549,410 A	10/1985	Russell	D554,000 S	10/2007	Walsh
4,708,254 A *	11/1987	Byrns B65D 23/0857	D559,622 S	1/2008	Carreno
			7,337,915 B1	3/2008	Weldon
			D572,585 S	7/2008	Perrin et al.
			7,410,075 B2	8/2008	Killoren et al.
			D577,550 S	9/2008	Pertuit
			D584,623 S	1/2009	Chupak
4,882,914 A *	11/1989	Haines-Keeley .. B65D 81/3883	7,591,393 B2	9/2009	Crudgington, Jr.
			D615,816 S	5/2010	Joy et al.
			D616,703 S	6/2010	Joy et al.
			D616,744 S	6/2010	Cresswell et al.
4,921,117 A	5/1990	Mucciarone	D618,065 S	6/2010	Joy et al.
4,966,303 A	10/1990	Jones	D620,798 S	8/2010	Cresswell et al.
4,976,798 A	12/1990	Hoffman	D621,257 S	8/2010	Gullickson et al.
5,165,567 A	11/1992	Richardson et al.	D621,258 S	8/2010	Gullickson et al.
5,269,368 A	12/1993	Schneider et al.	D621,259 S	8/2010	Joy et al.
5,454,482 A	10/1995	Simon	D626,416 S	11/2010	Cresswell et al.
D364,314 S	11/1995	Humphrey et al.	D627,601 S	11/2010	Eyal
D364,315 S	11/1995	Humphrey et al.	D628,486 S	12/2010	Lane
D364,316 S	11/1995	Humphrey et al.	D632,524 S	2/2011	Rosbach et al.
5,467,891 A *	11/1995	Perry B65D 81/3886	D635,457 S	4/2011	Lane
			D638,708 S	5/2011	Walsh
			D647,369 S	10/2011	Bryman et al.
			D647,407 S	10/2011	Toh et al.
			8,579,133 B2	11/2013	Marcus et al.
			2002/0104845 A1 *	8/2002	Beuke B65D 81/3876
					220/739
D366,987 S	2/1996	Allegre	2003/0111375 A1	6/2003	Kilmartin
5,529,217 A	6/1996	Siegel	2006/0169860 A1	8/2006	Alzheimer
5,553,733 A	9/1996	Rosenthal	2007/0209384 A1	9/2007	Stewart et al.
5,624,090 A	4/1997	Gammelgaard	2008/0047967 A1	2/2008	Brunner et al.
D392,512 S	3/1998	Bennett et al.	2009/0057257 A1	3/2009	Marcus et al.
5,927,524 A	7/1999	Miller	2012/0000239 A1	1/2012	Kerkhof et al.
D422,503 S	4/2000	Lehn			
D431,735 S	10/2000	Sullivan			
6,158,870 A	12/2000	Ramirez			
D458,134 S	6/2002	Berish et al.			
D476,231 S	6/2003	Paquette			
D481,937 S	11/2003	McRae			
D482,607 S	11/2003	McRae			
6,772,891 B1	8/2004	Song			
6,783,020 B2	8/2004	Featherston et al.			
D502,774 S *	3/2005	Drumheller D7/624.2			

* cited by examiner

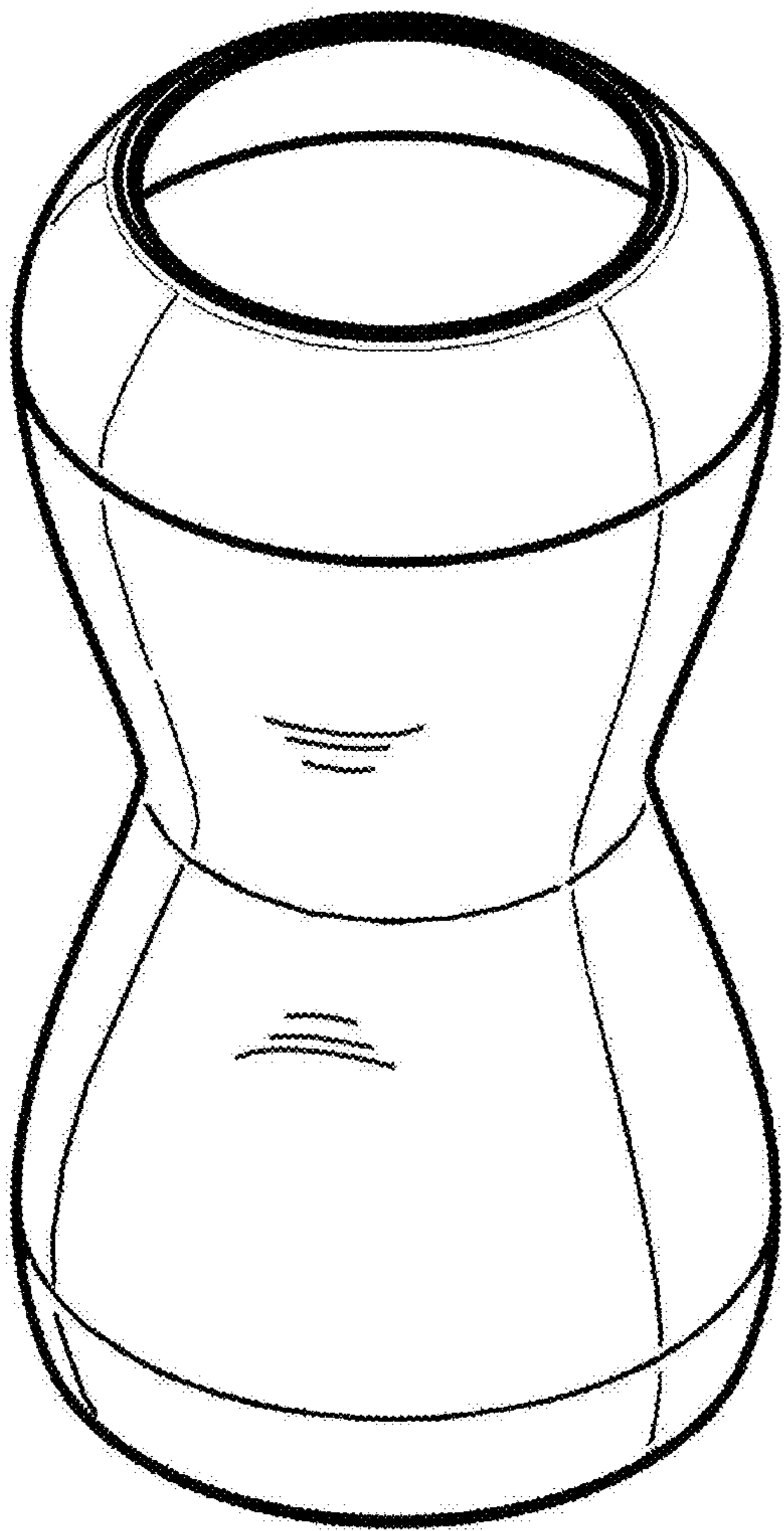


Fig. 1

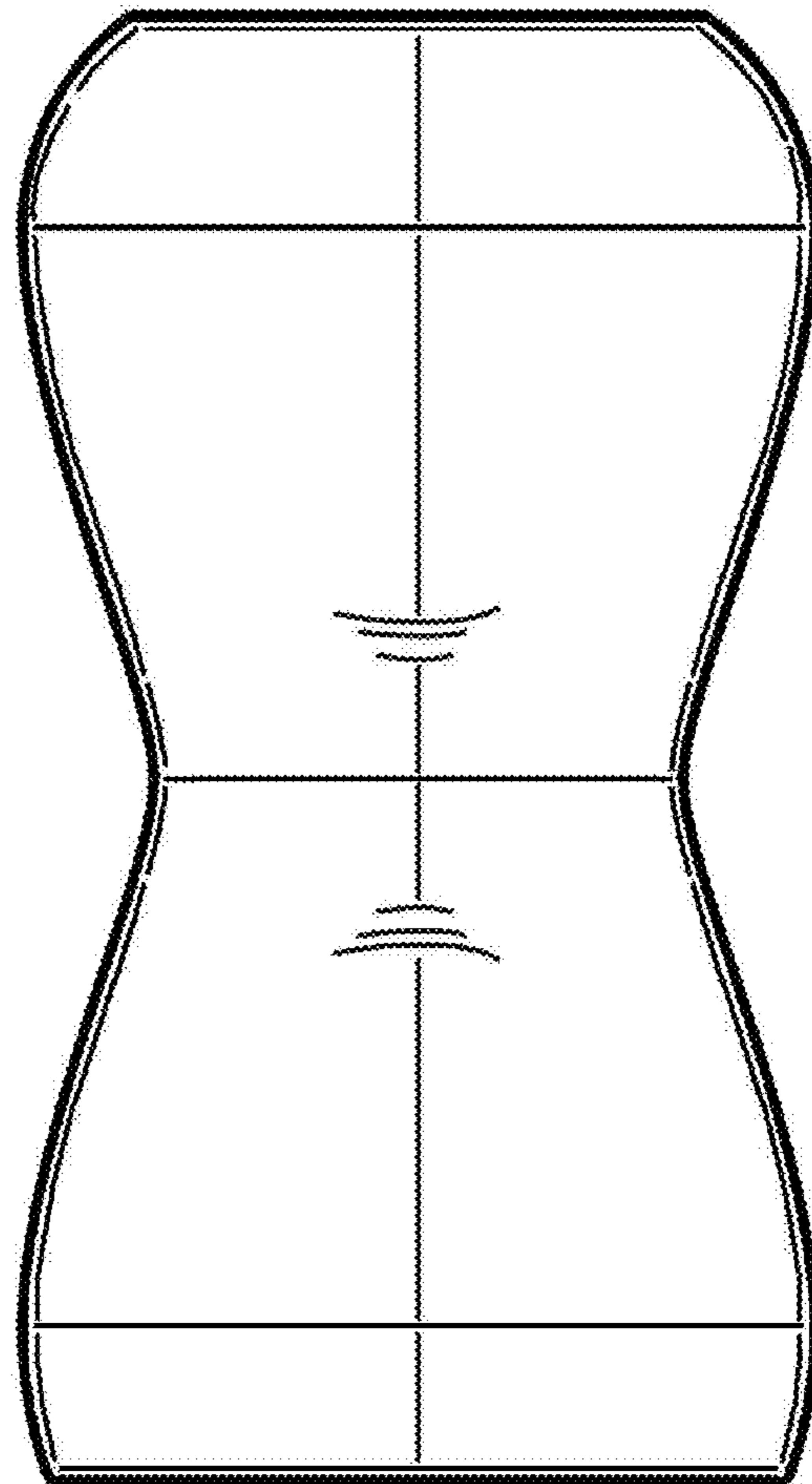


Fig. 2

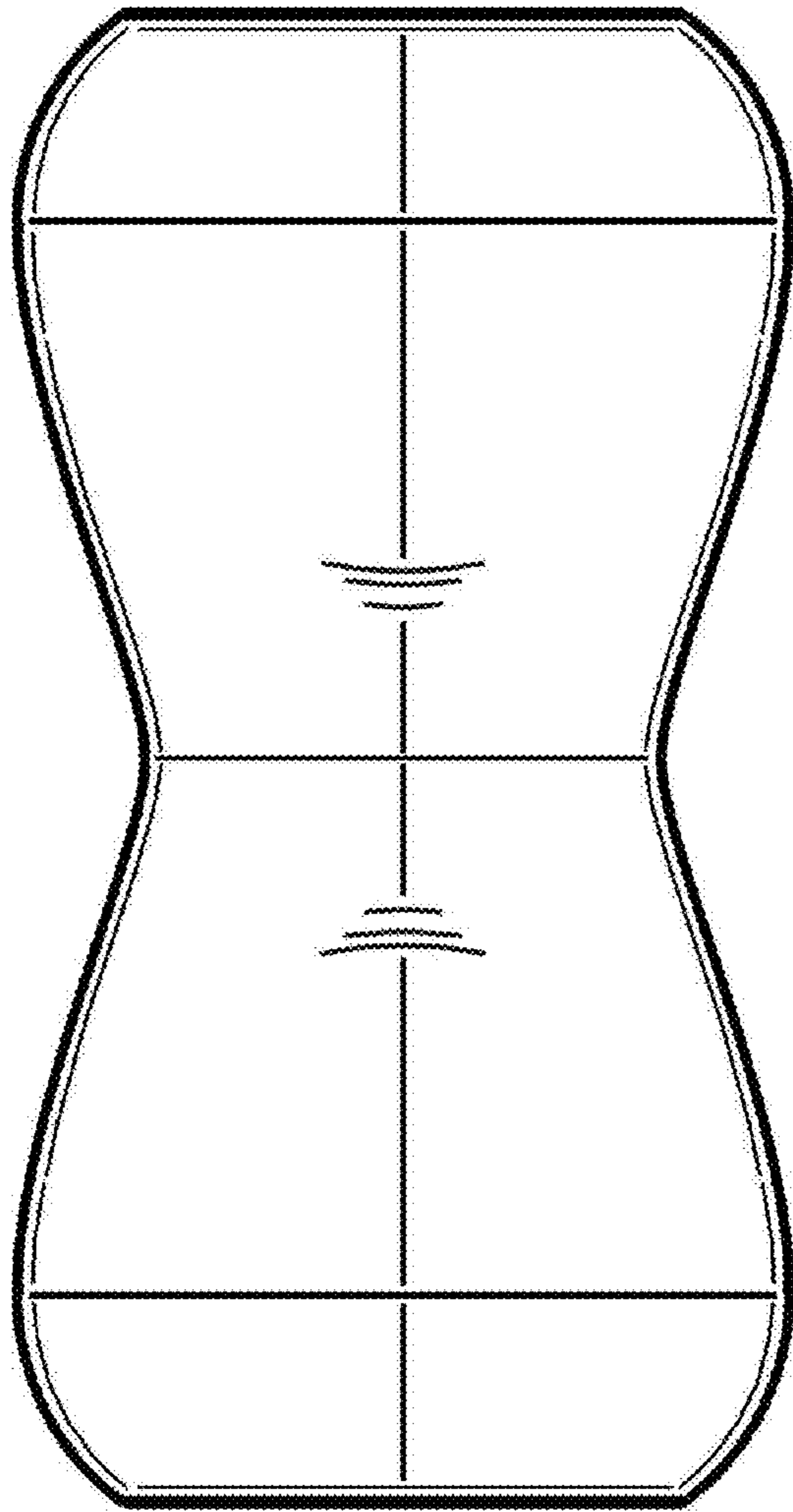


Fig. 3

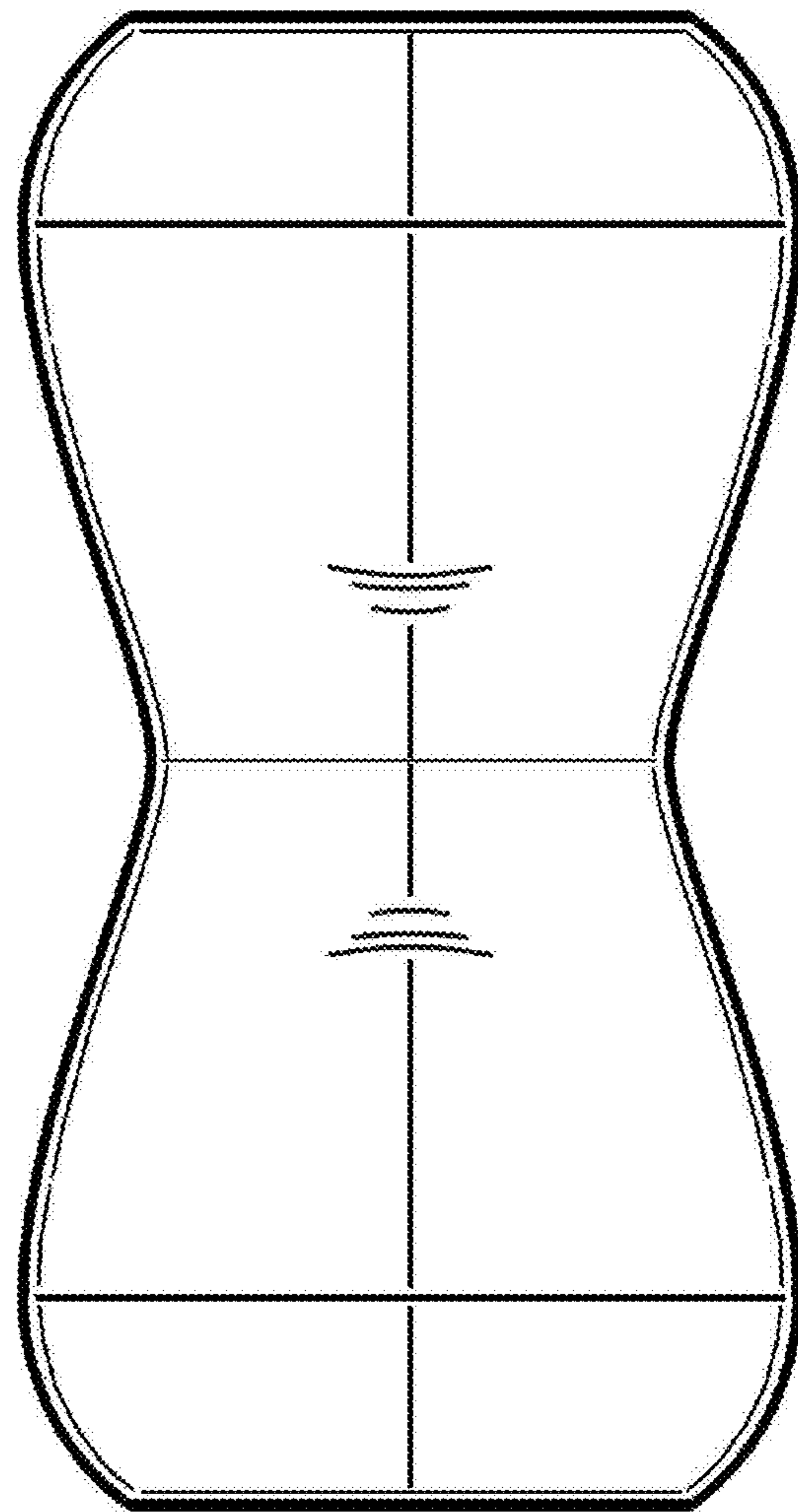


Fig. 4

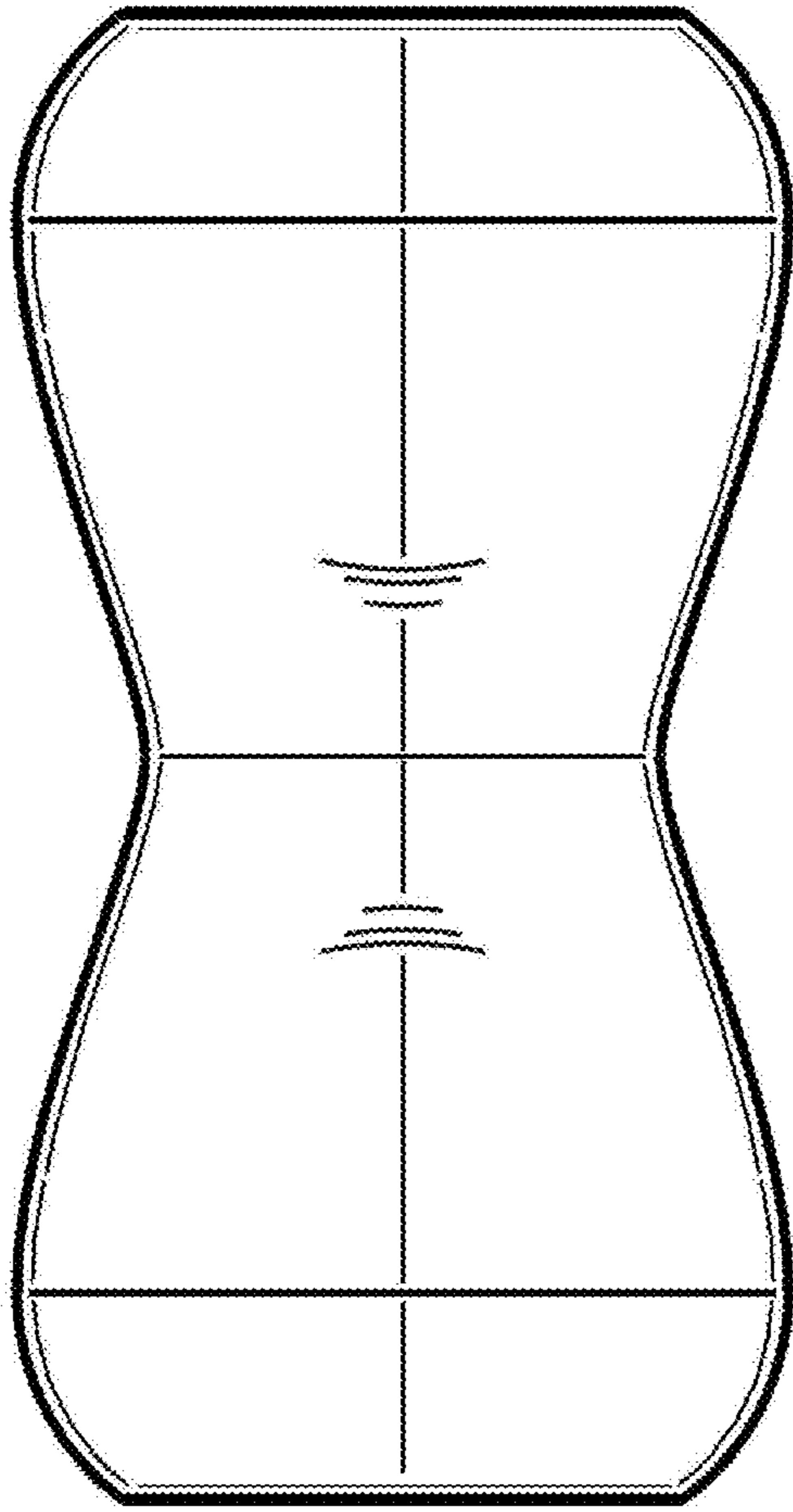


Fig. 5

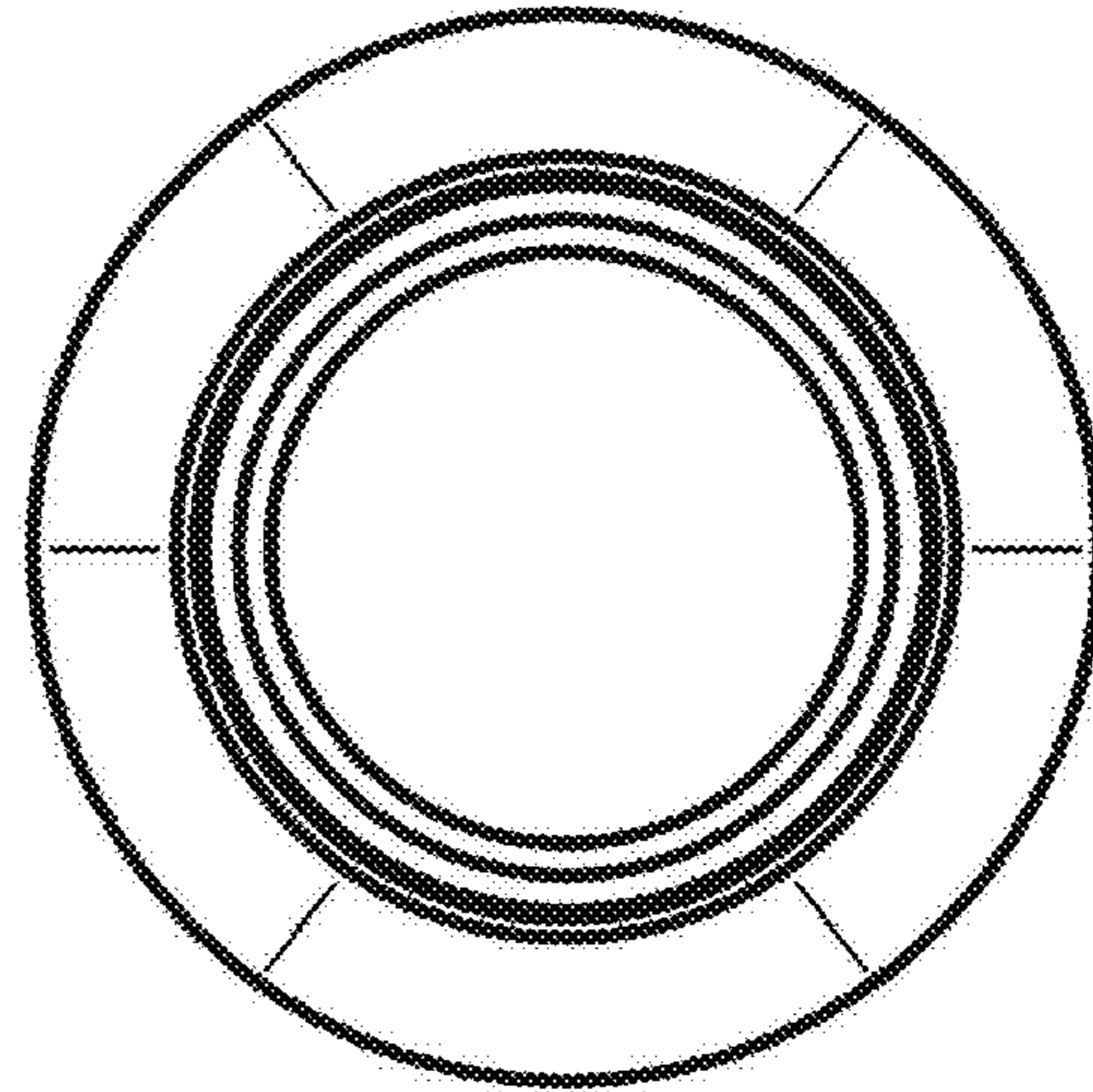


Fig. 6

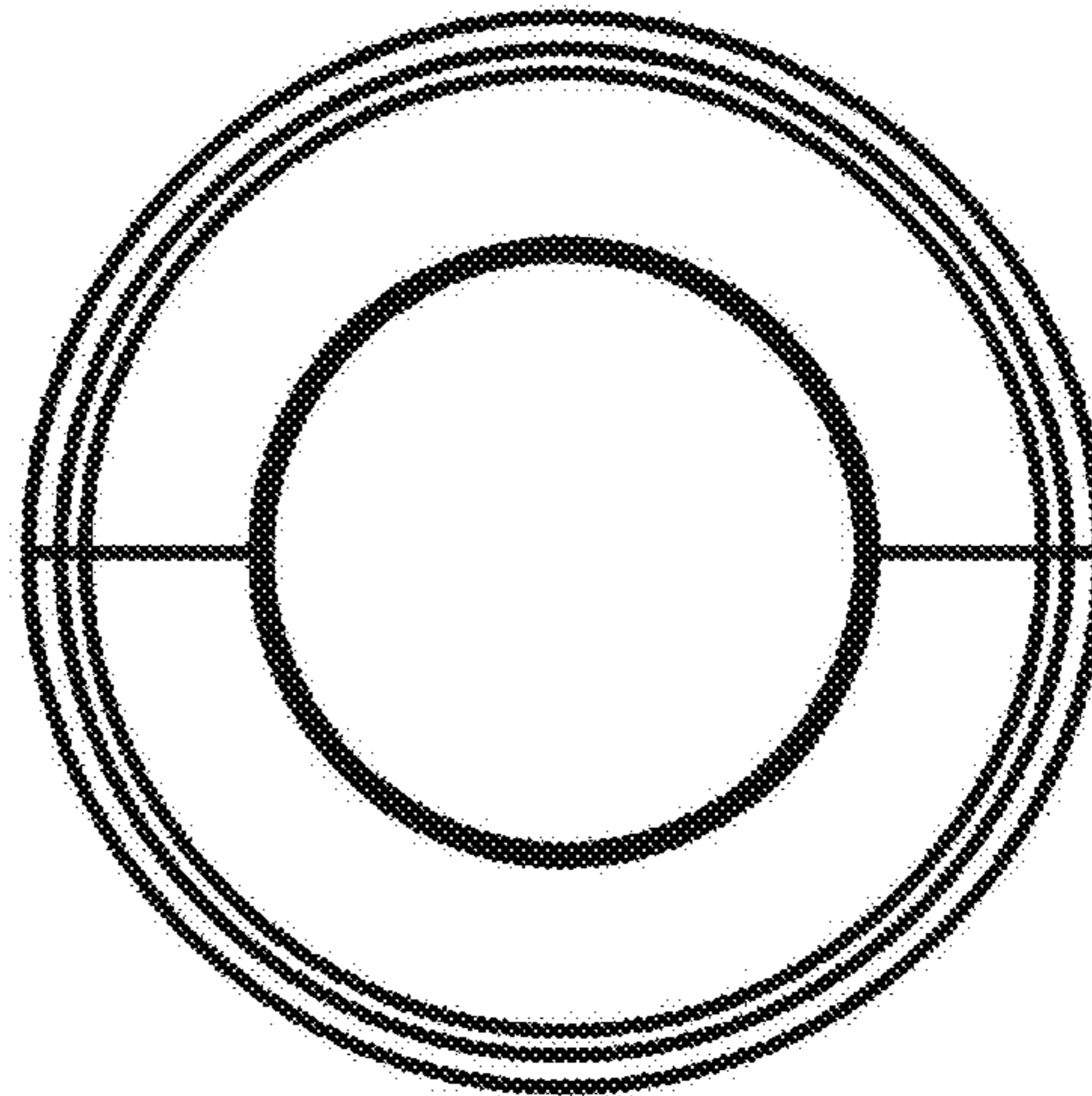


Fig. 7

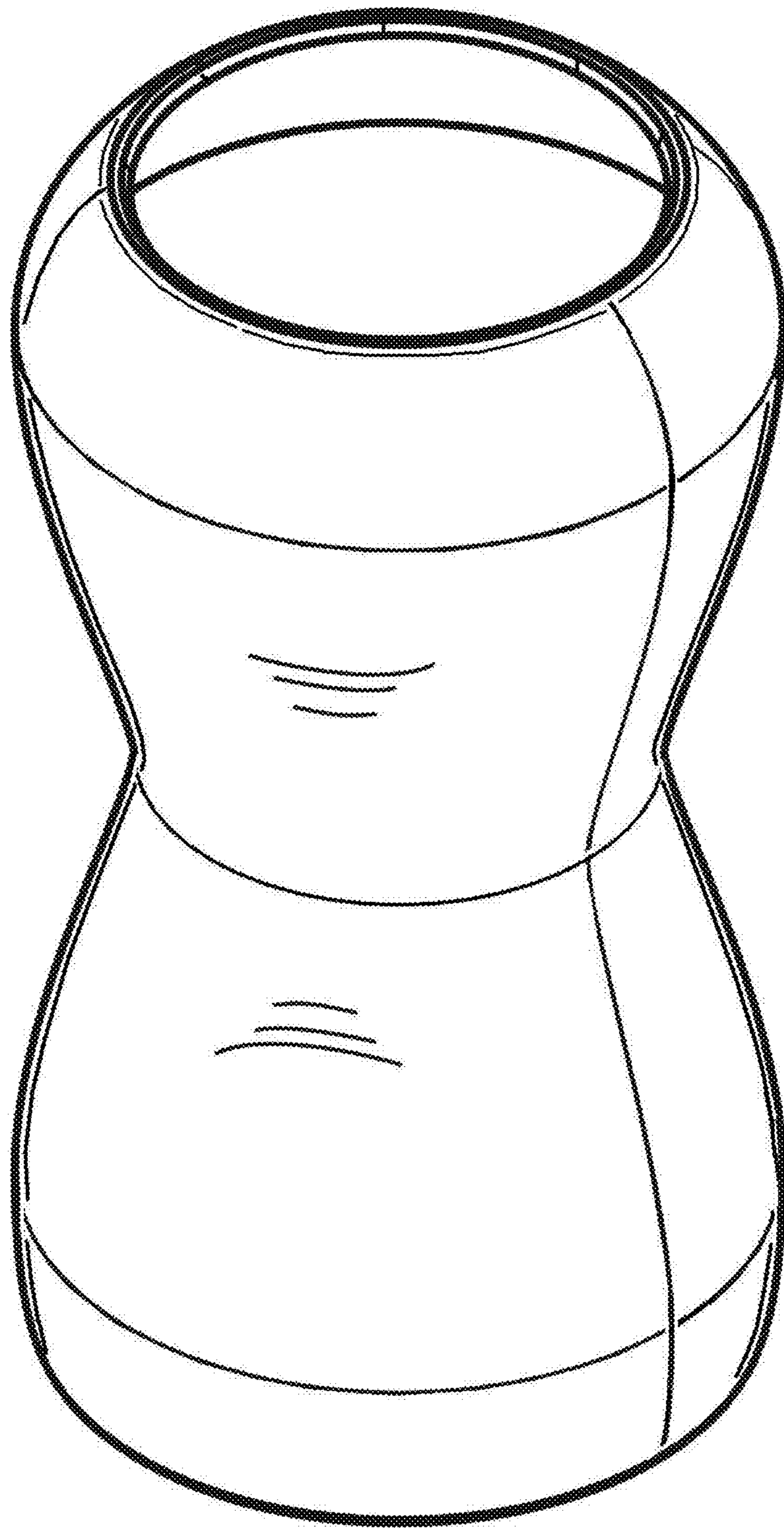


Fig. 8

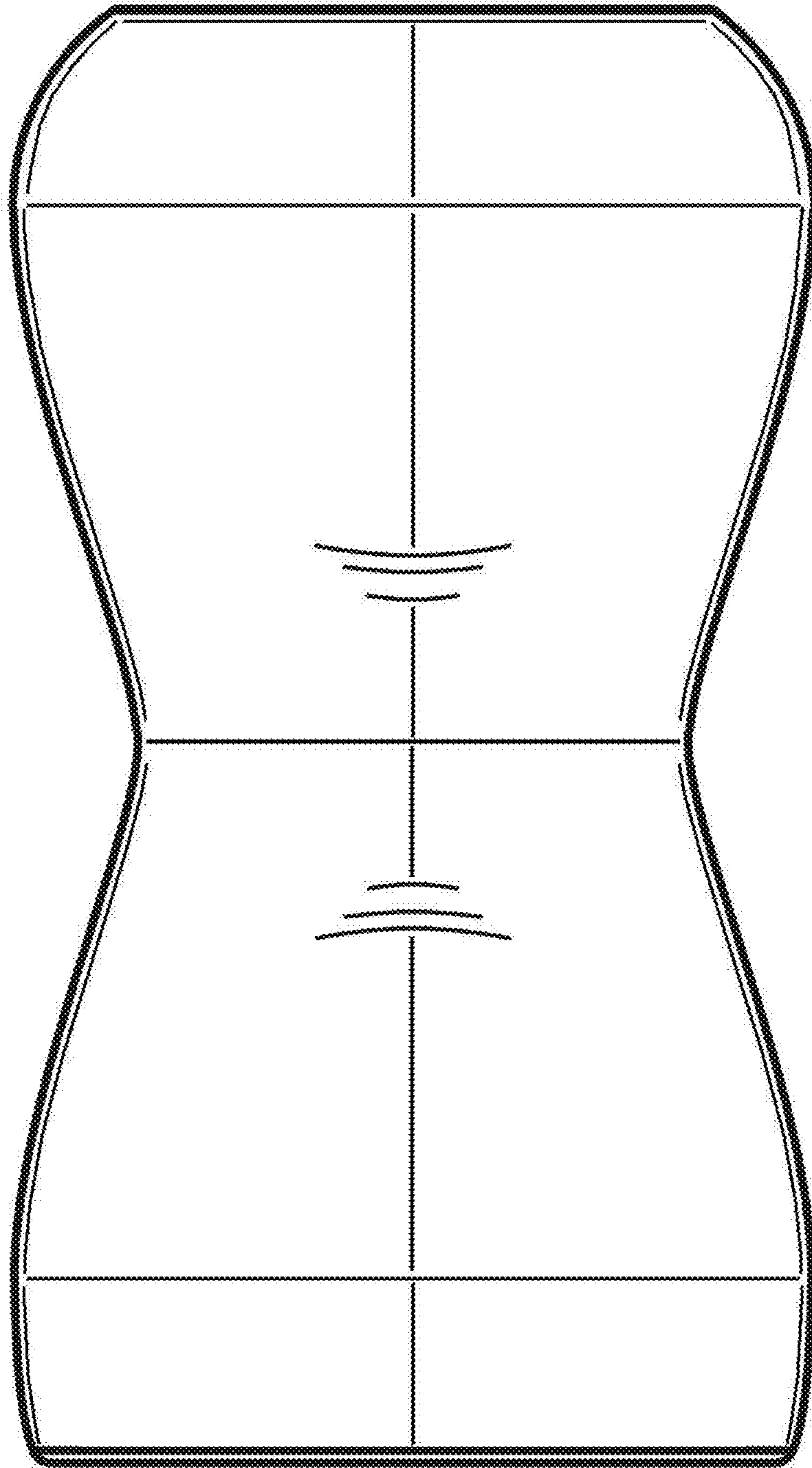


Fig. 9

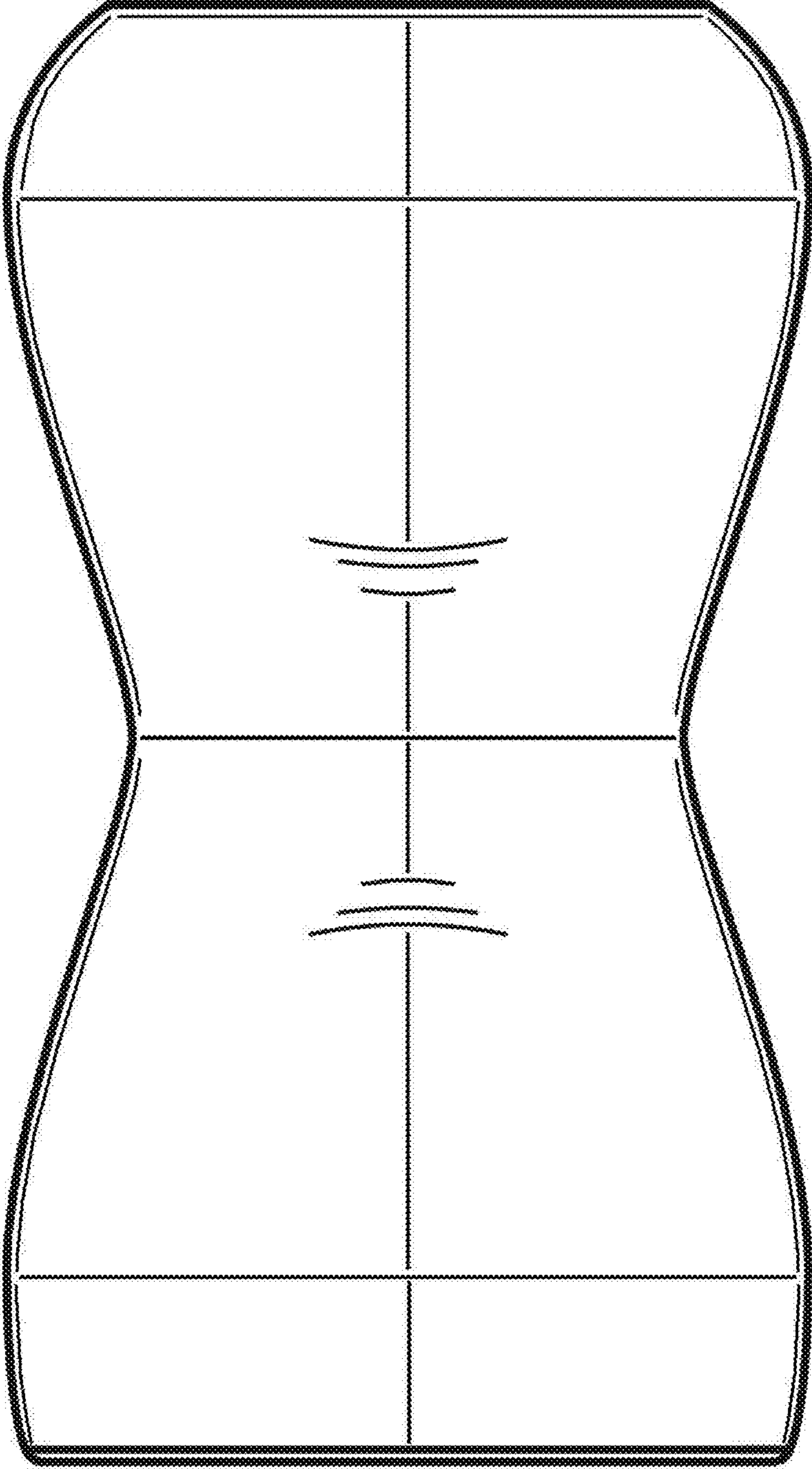


Fig. 10

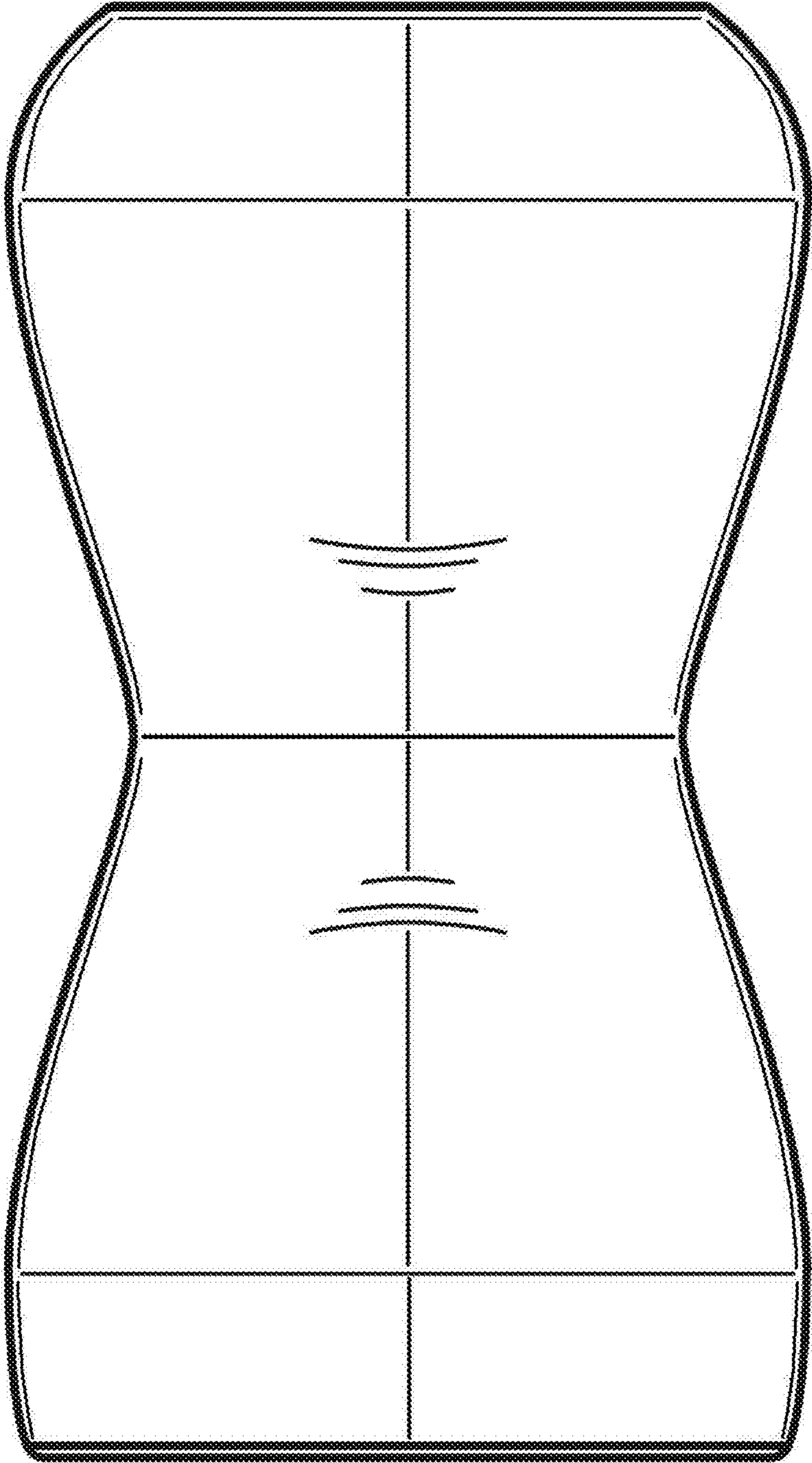


Fig. 11

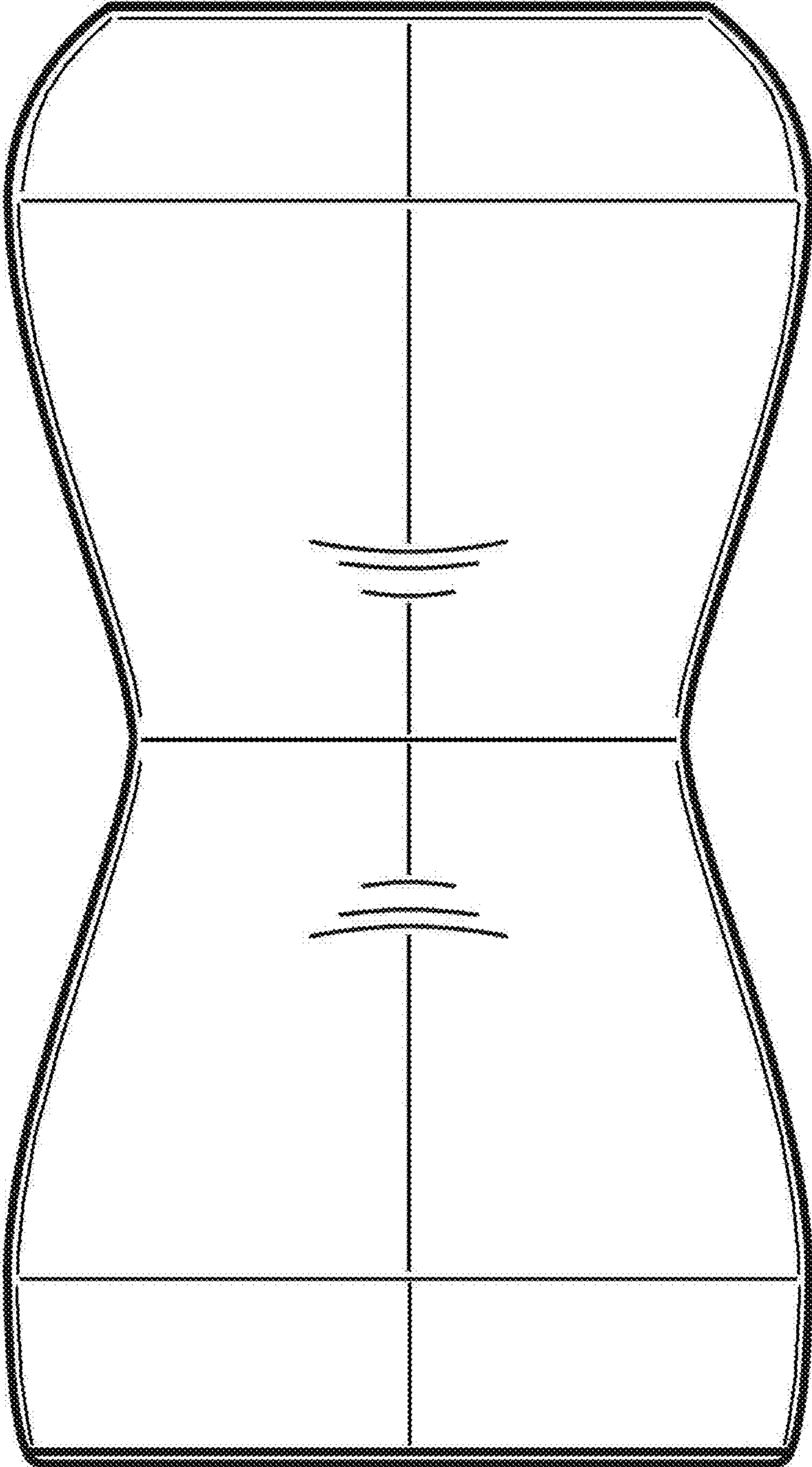


Fig. 12

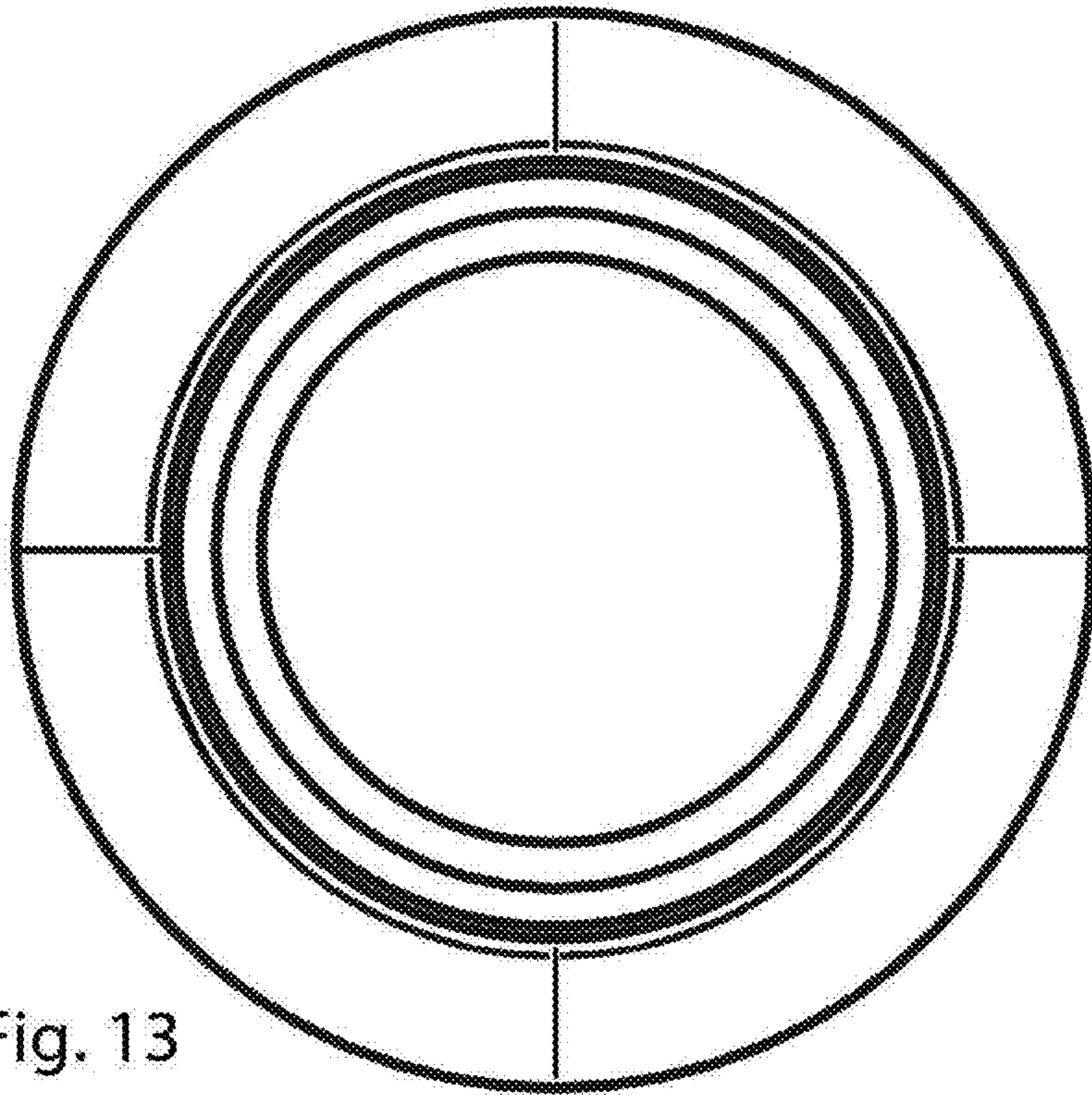


Fig. 13

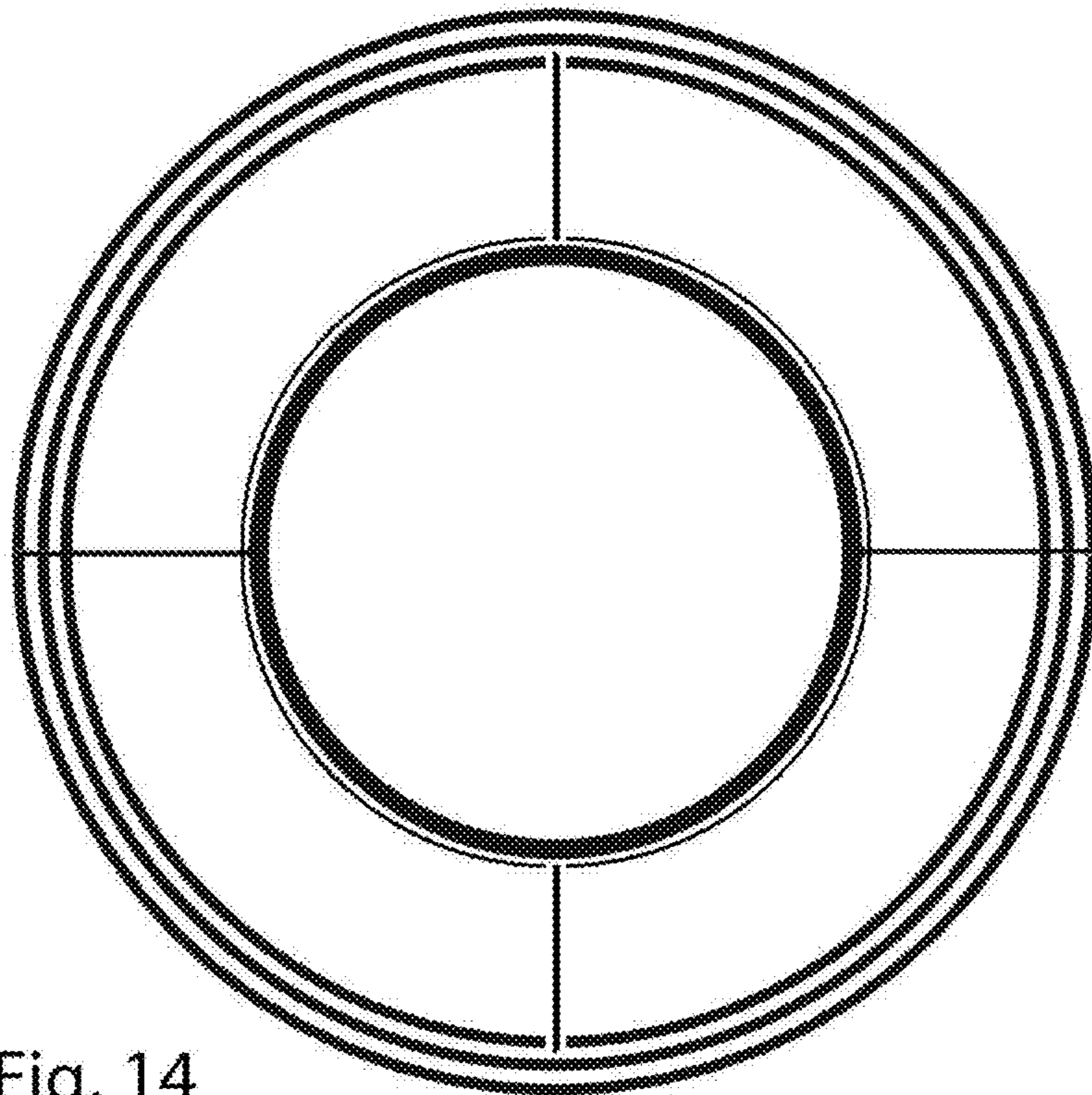


Fig. 14