



US00D758136S

(12) **United States Design Patent**
Liotta et al.

(10) **Patent No.:** **US D758,136 S**
(45) **Date of Patent:** **** Jun. 7, 2016**

- (54) **BEVERAGE CONTAINER HOLDER**
- (71) Applicant: **ThinkGeek, Inc.**, Fairfax, VA (US)
- (72) Inventors: **Tyson Liotta**, Rockville, MD (US);
Taehoon Kim, Annandale, VA (US)
- (73) Assignee: **ThinkGeek, Inc.**, Fairfax, VA (US)
- (**) Term: **14 Years**
- (21) Appl. No.: **29/502,987**
- (22) Filed: **Sep. 22, 2014**
- (51) **LOC (10) Cl.** **07-06**
- (52) **U.S. Cl.**
USPC **D7/622; D7/396.2; D7/399; D7/624.2;**
D7/319; D7/317
- (58) **Field of Classification Search**
USPC **D7/619.1-625, 701-708, 509-536, 598,**
D7/600, 318, 317, 316, 319, 305, 396.2,
D7/399, 624.1; 220/742, 740
CPC **A47G 23/0233; A47G 23/0258**
See application file for complete search history.

(56) **References Cited**

U.S. PATENT DOCUMENTS

- 2,896,812 A * 7/1959 Paprocki A47G 23/0266
220/740
- D194,364 S * 1/1963 Hansen D7/511
- D194,696 S * 2/1963 Kido D7/511
- 3,719,305 A * 3/1973 Pressnell A47G 23/0233
215/395
- D229,156 S * 11/1973 Moussette 220/740
- D405,641 S * 2/1999 Brady D7/317
- D410,170 S * 5/1999 Sheu D7/317

- 5,921,431 A * 7/1999 Pych A47G 23/0241
215/10
- D449,957 S * 11/2001 Yeh D7/317
- D458,074 S * 6/2002 Bodum D7/317
- D567,007 S * 4/2008 Bodum D7/317
- D612,660 S * 3/2010 Bodum D7/317
- D628,846 S * 12/2010 Bodum D7/317
- D646,110 S * 10/2011 Munro D7/317
- D677,103 S * 3/2013 Melzer D7/317

* cited by examiner

Primary Examiner — Marianne Pandozzi

(74) *Attorney, Agent, or Firm* — Womble Carlyle Sandridge & Rice LLP

(57) **CLAIM**

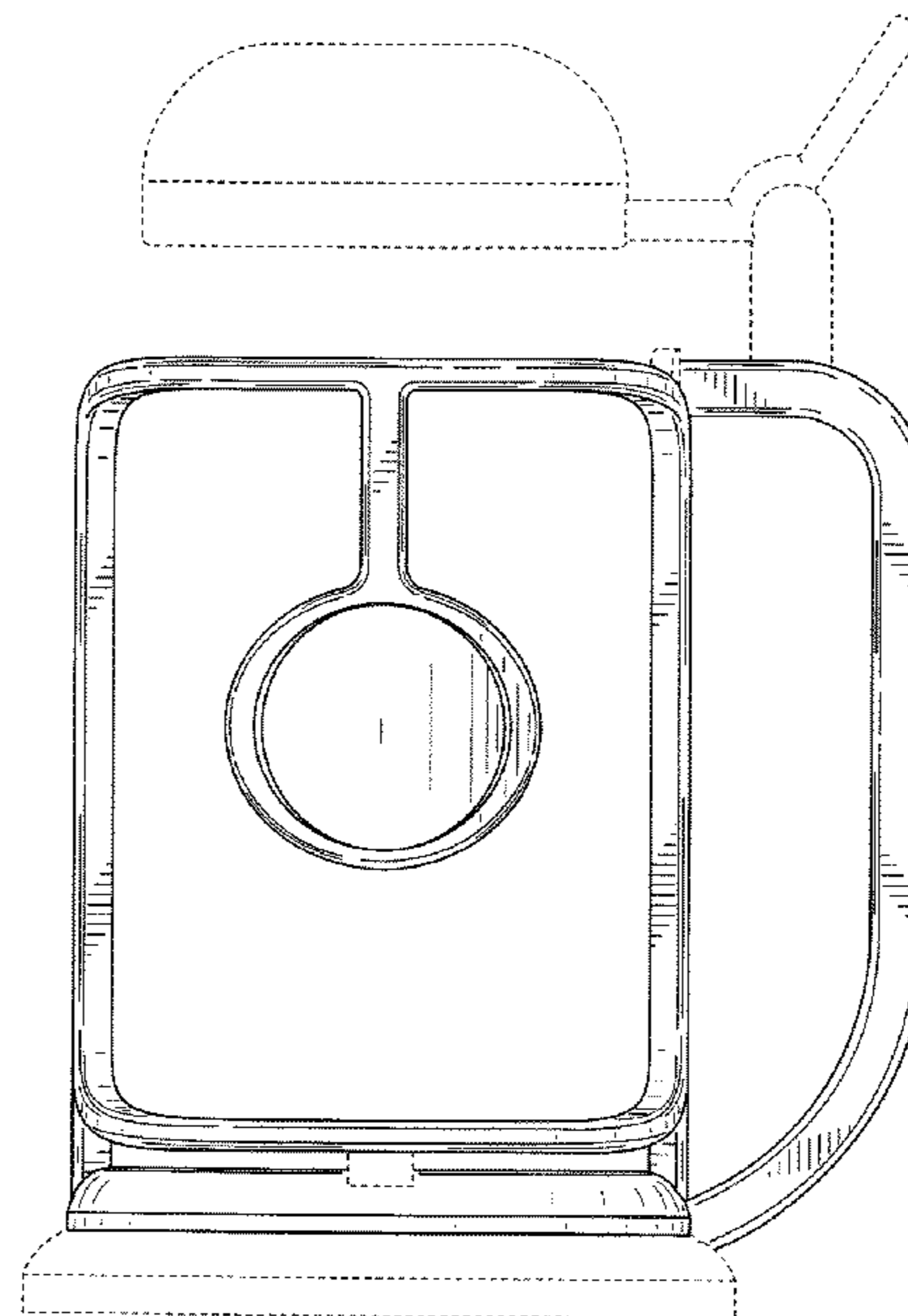
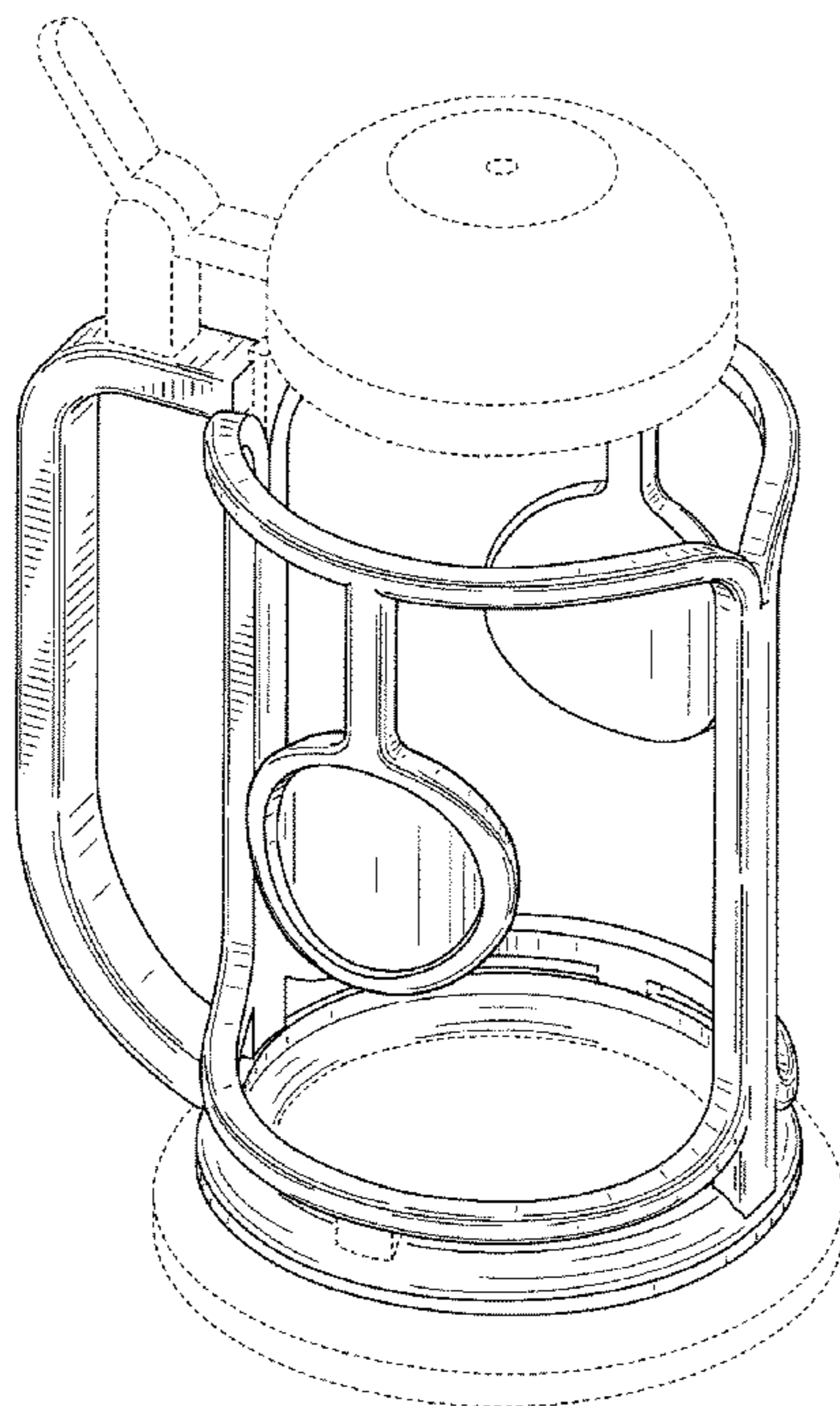
The ornamental design for a beverage container holder, as shown and described.

DESCRIPTION

FIG. 1 is a perspective view of a beverage container holder; FIG. 2 is a front elevation view of the beverage container holder of FIG. 1; FIG. 3 is a rear elevation view of the beverage container holder of FIG. 1; FIG. 4 is a right elevation view of the beverage container holder of FIG. 1; FIG. 5 is a left elevation view of the beverage container holder of FIG. 1; FIG. 6 is a top plan view of the beverage container holder of FIG. 1; and, FIG. 7 is a bottom plan view of the beverage container holder of FIG. 1.

The broken lines depict portions of the beverage container holder that form no part of the claimed design.

1 Claim, 6 Drawing Sheets



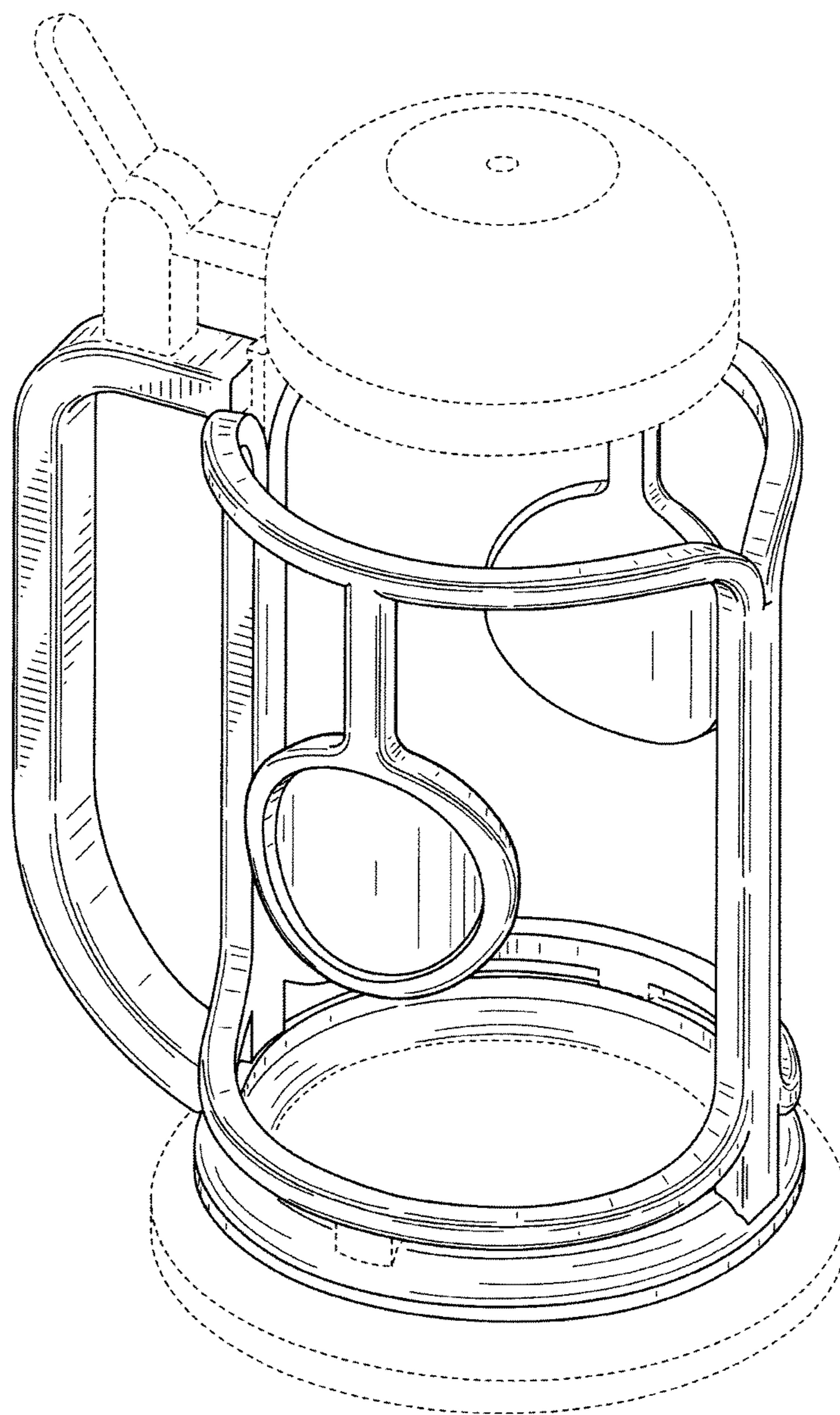


FIG. 1

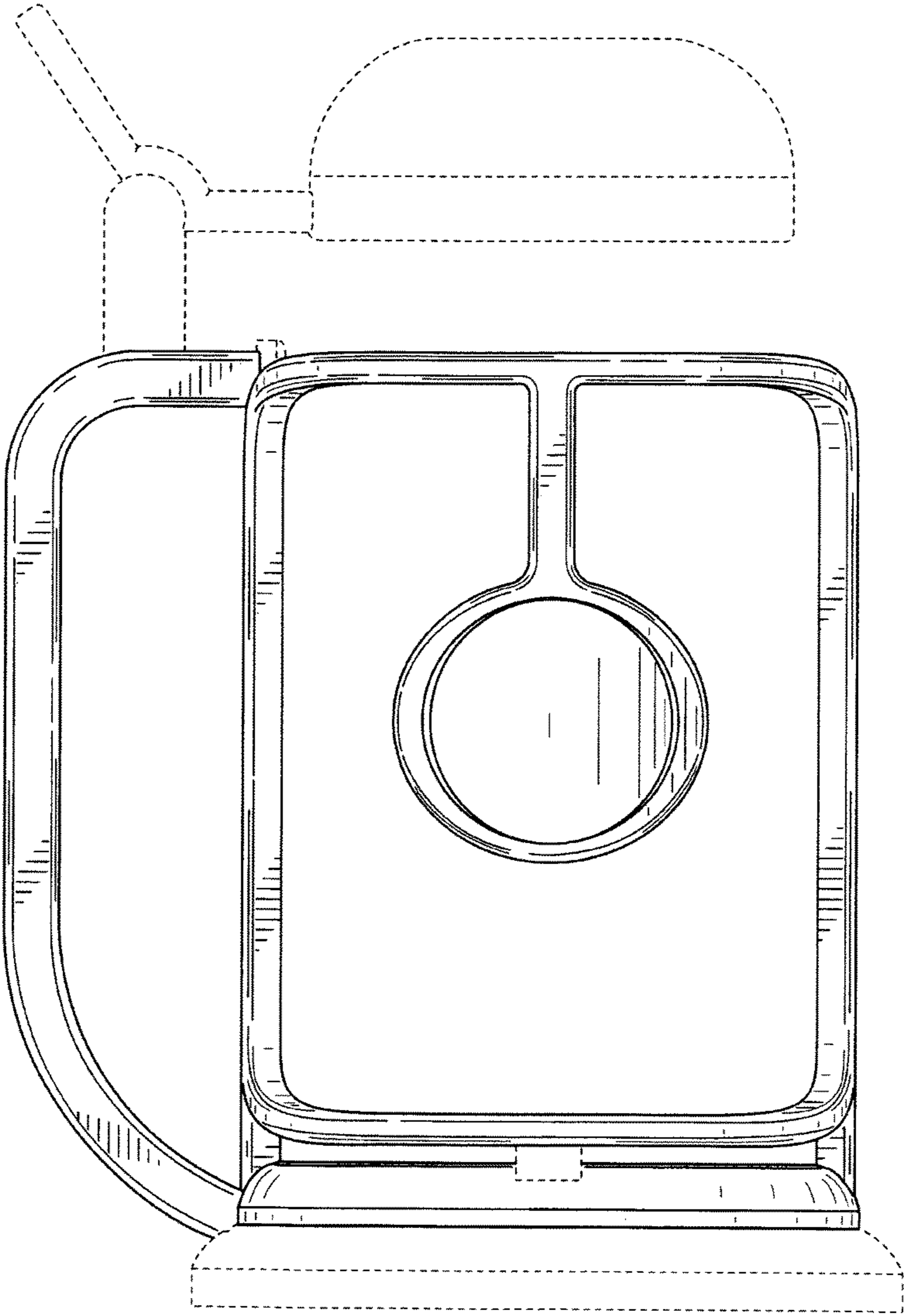


FIG. 2

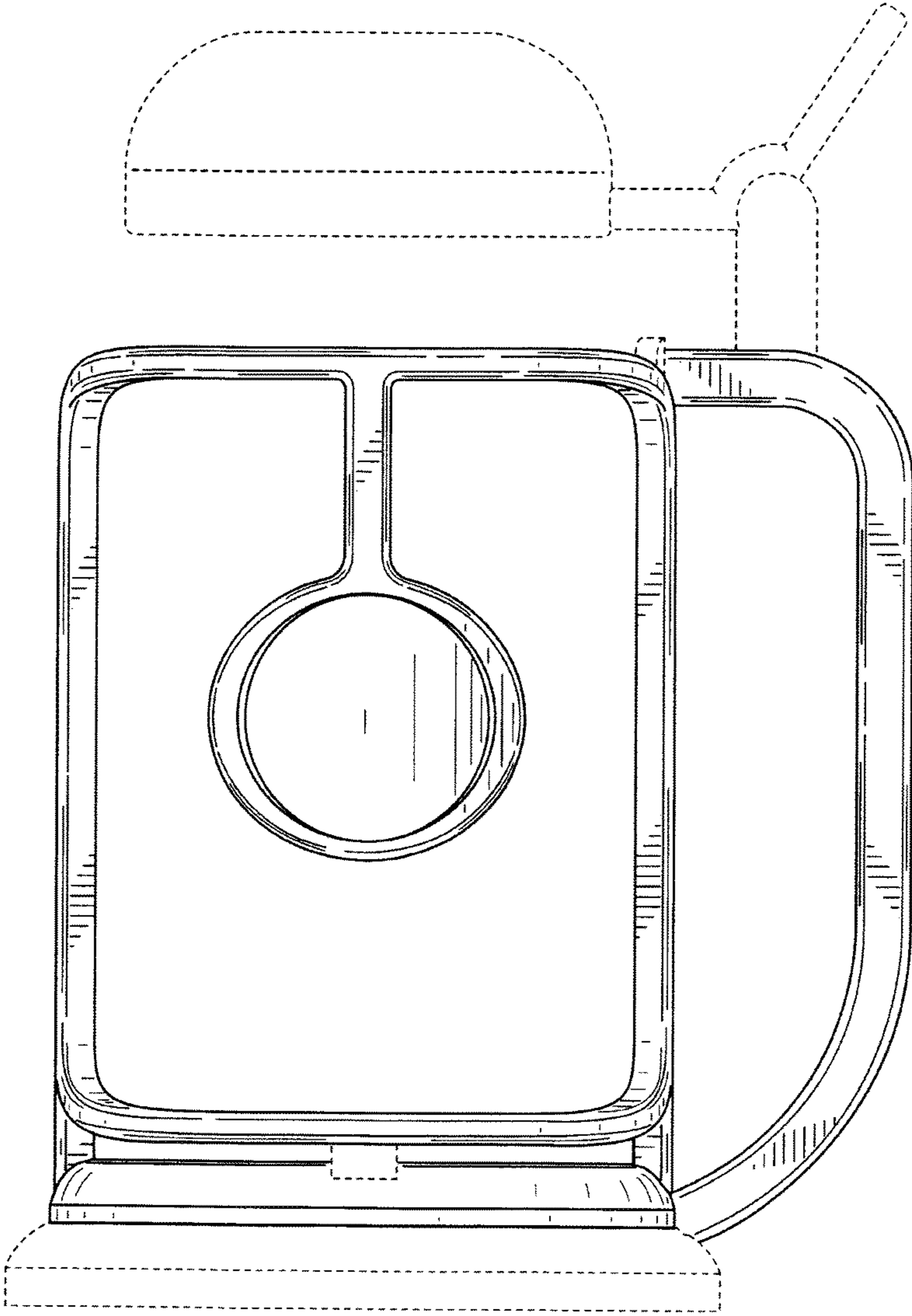


FIG. 3

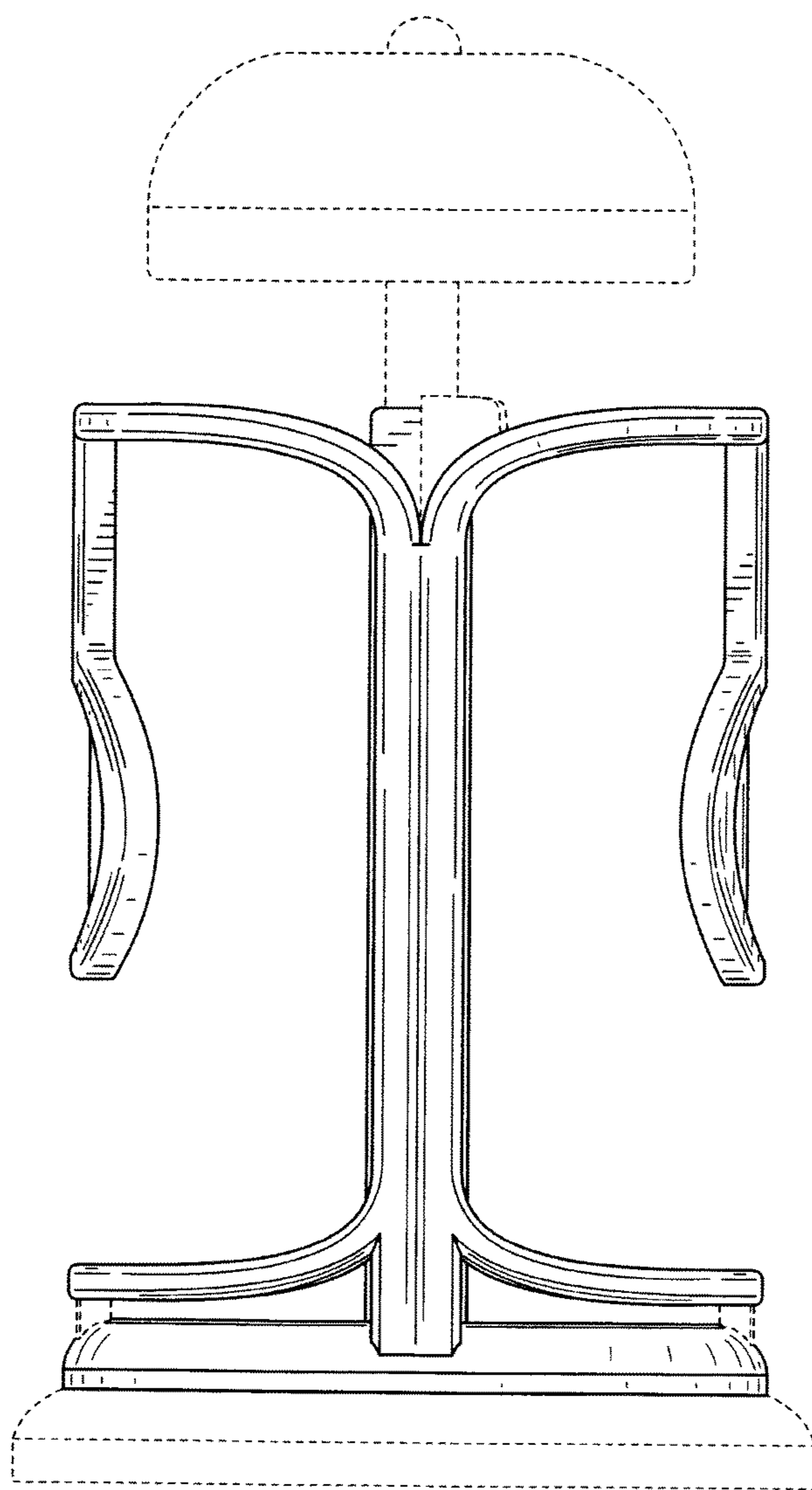


FIG. 4

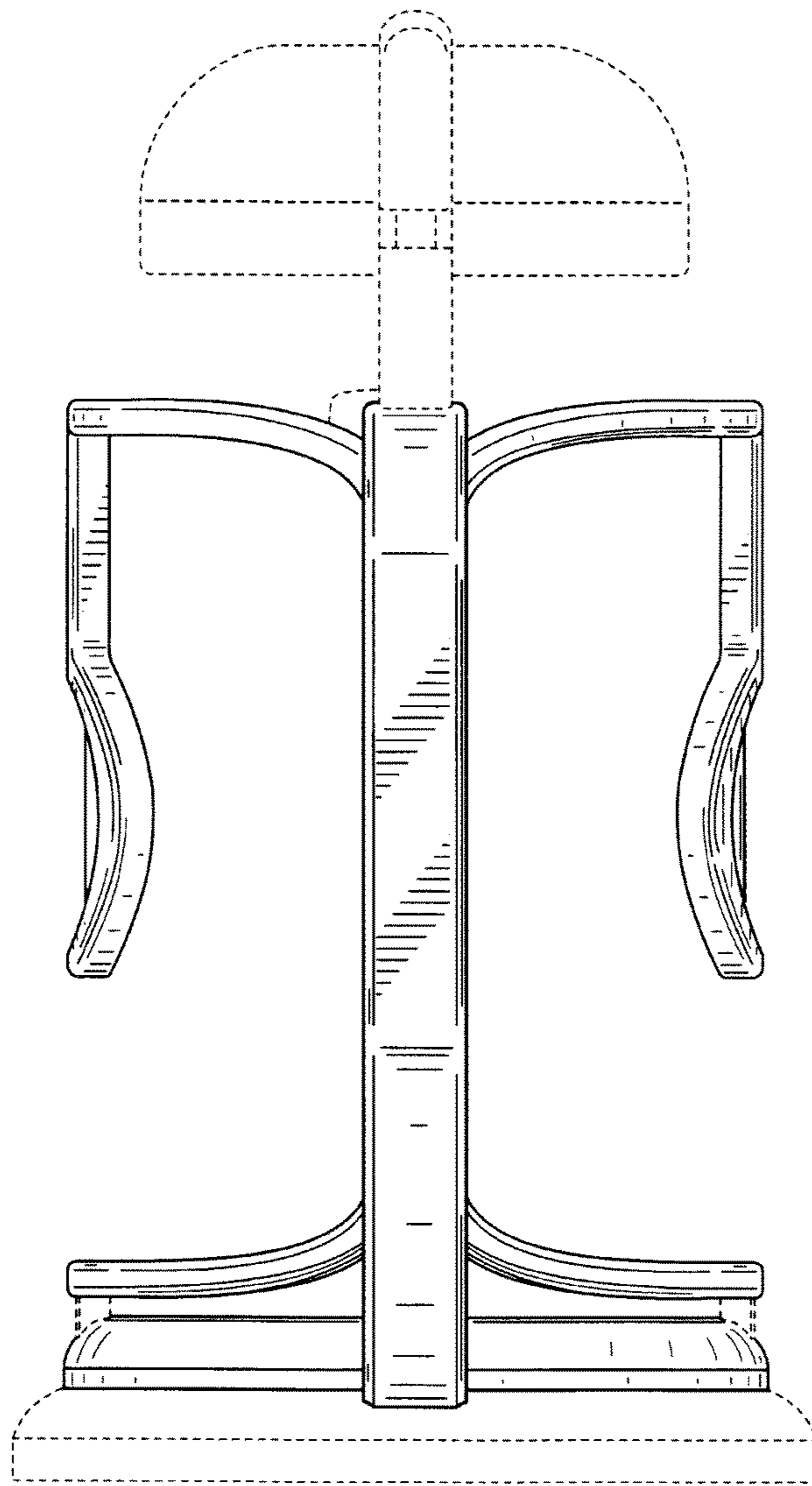


FIG. 5

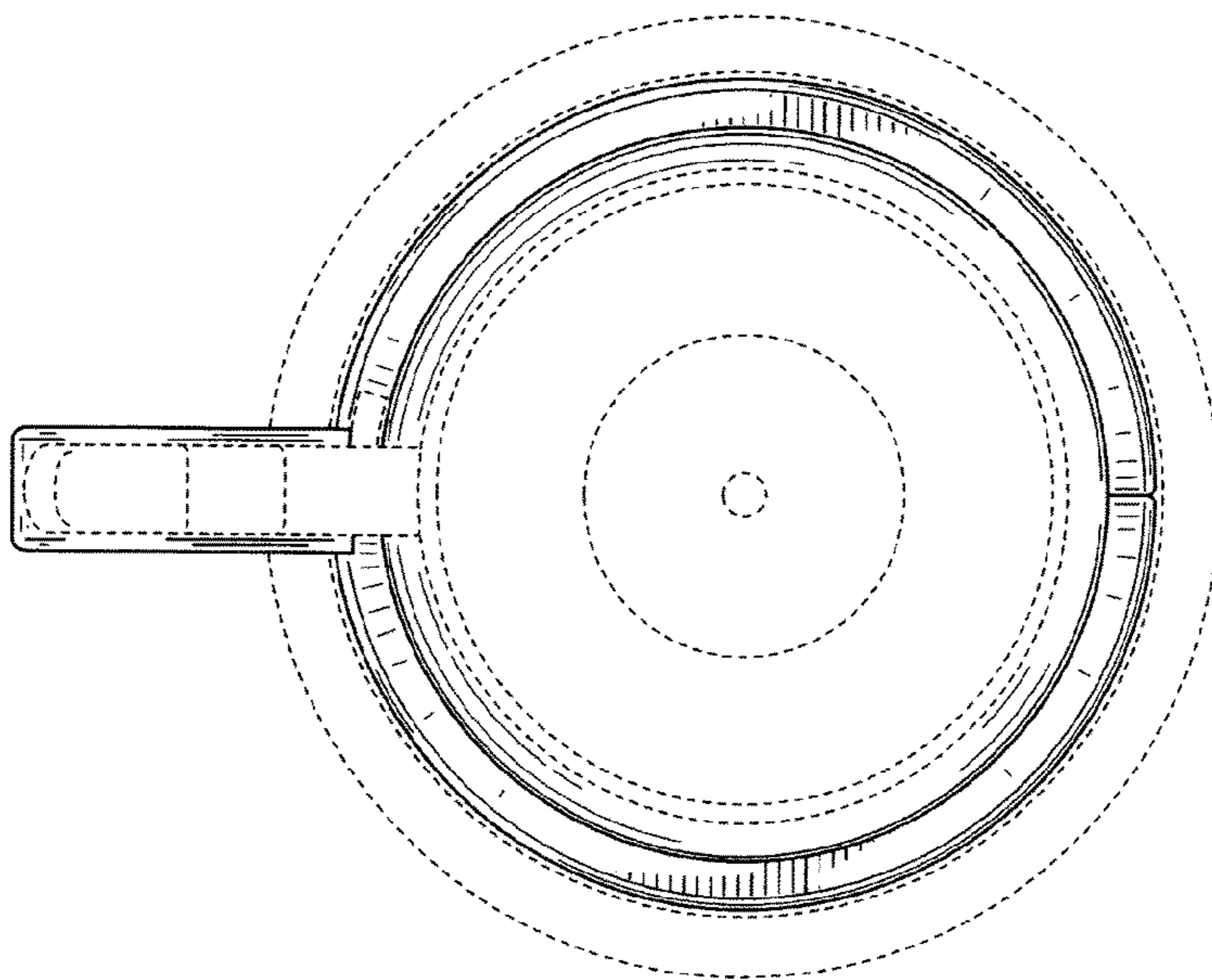


FIG. 6

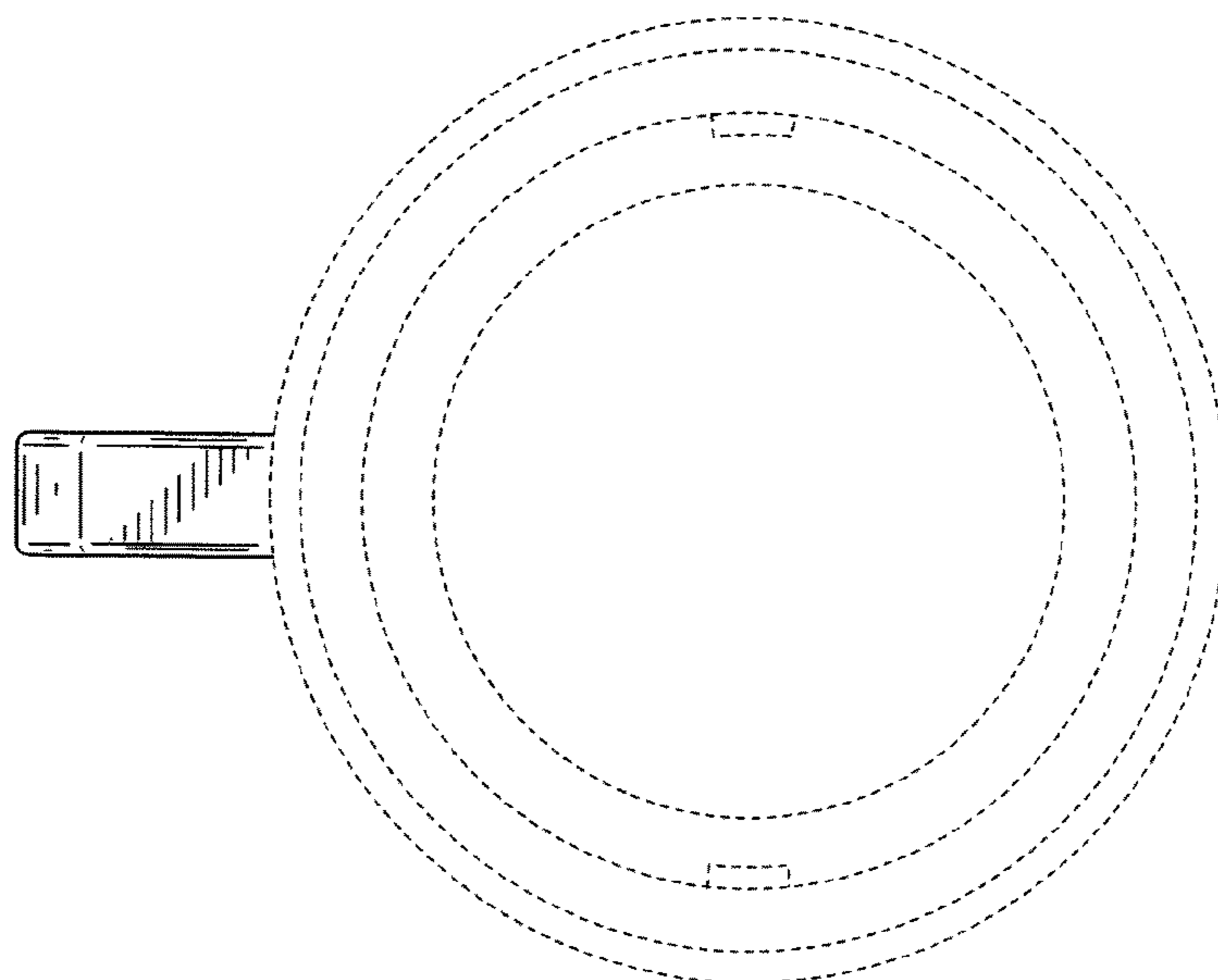


FIG. 7