

US00D758129S

(12) **United States Design Patent**
Filho et al.

(10) **Patent No.:** **US D758,129 S**
(45) **Date of Patent:** **** Jun. 7, 2016**

- (54) **GAS BURNER**
- (71) Applicant: **WHIRLPOOL S.A.**, Sao Paulos (BR)
- (72) Inventors: **Ricardo Kolb Filho**, Joinville (BR);
Emmanuel Machado Vieira, Joinville (BR); **Henrique Cesar De Gaspari**, Joinville (BR)
- (73) Assignee: **Whirlpool S.A.** (BR)
- (**) Term: **15 Years**
- (21) Appl. No.: **29/536,261**
- (22) Filed: **Aug. 14, 2015**

Related U.S. Application Data

- (62) Division of application No. 29/459,550, filed on Jul. 1, 2013, now Pat. No. Des. 743,203, which is a division of application No. 29/352,186, filed on Dec. 17, 2009, now Pat. No. Des. 687,675.

Foreign Application Priority Data

- (30) Jun. 19, 2009 (BR) DI6902173

- (51) **LOC (10) Cl.** **07-02**
- (52) **U.S. Cl.**

- USPC **D7/407**

- (58) **Field of Classification Search**

USPC D7/339, 340, 346, 402, 407; 126/1 R, 126/27, 39 R, 25 R, 39 E; 99/481-482; D23/341, 415, 335, 386; 431/354, 284
CPC F24C 15/08; F24C 3/085; A47J 36/36; A47J 37/0704; A23B 4/052; F23D 14/06; F23D 17/002

See application file for complete search history.

- (56) **References Cited**

U.S. PATENT DOCUMENTS

D42,339 S 3/1912 Sherman
D48,913 S 4/1916 Parisen

D102,760 S	1/1937	Maul	
D125,112 S	6/1940	Reeves	
D191,085 S	8/1961	Kindl	
D228,766 S	10/1973	Stohrer, Jr.	
D236,418 S	8/1975	Duperow et al.	
5,397,234 A	3/1995	Kwiatek	
D369,517 S	5/1996	Ferlin	
D414,377 S	9/1999	Huang	
6,015,322 A	1/2000	White et al.	
D439,801 S	4/2001	Measom	
D468,963 S	1/2003	Pai	
7,017,572 B2	3/2006	Cadima	
D524,105 S	7/2006	Poltronieri	
D564,296 S	3/2008	Koch et al.	
D565,893 S	4/2008	Pryor et al.	
D565,895 S	4/2008	Pryor et al.	
D581,214 S	11/2008	Rosa et al.	
D581,736 S	12/2008	Besseas	
D642,675 S	8/2011	Scribano et al.	
8,302,593 B2 *	11/2012	Cadima	F23D 23/00 126/25 R
8,408,897 B2	4/2013	Rossi et al.	
D682,028 S *	5/2013	Preisler	D7/407

(Continued)

Primary Examiner — T. Chase Nelson

Assistant Examiner — Mark Cavanna

(74) *Attorney, Agent, or Firm* — Baker & Hostetler LLP

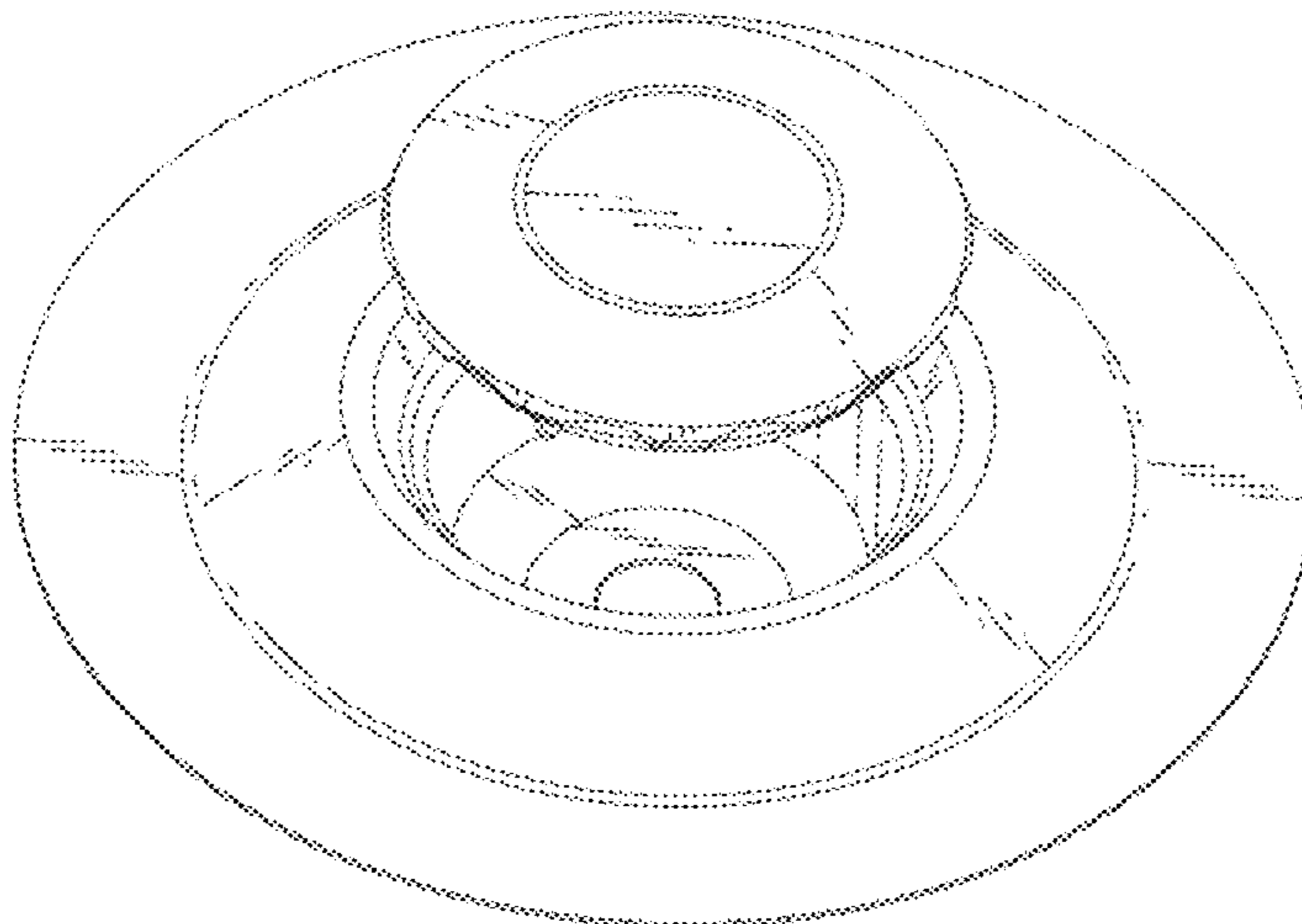
(57) **CLAIM**

The ornamental design for a gas burner, as shown and described.

DESCRIPTION

FIG. 1 is an exploded perspective view of a gas burner showing my new designs;
FIG. 2 is a side view of the gas burner of FIG. 1 showing the cover mounted to the base; and,
FIG. 3—is a top view of the gas burner of FIG. 1 showing the cover mounted to the base.

1 Claim, 2 Drawing Sheets



US D758,129 S

Page 2

(56)

References Cited

U.S. PATENT DOCUMENTS

D687,675 S 8/2013 Filho et al.

8,747,108 B2* 6/2014 Lona Santoyo F23D 14/06
126/39 B

D743,531 S * 11/2015 Biagioli D23/415
D743,532 S * 11/2015 Biagioli D23/415
D745,321 S * 12/2015 Koch D7/407

* cited by examiner

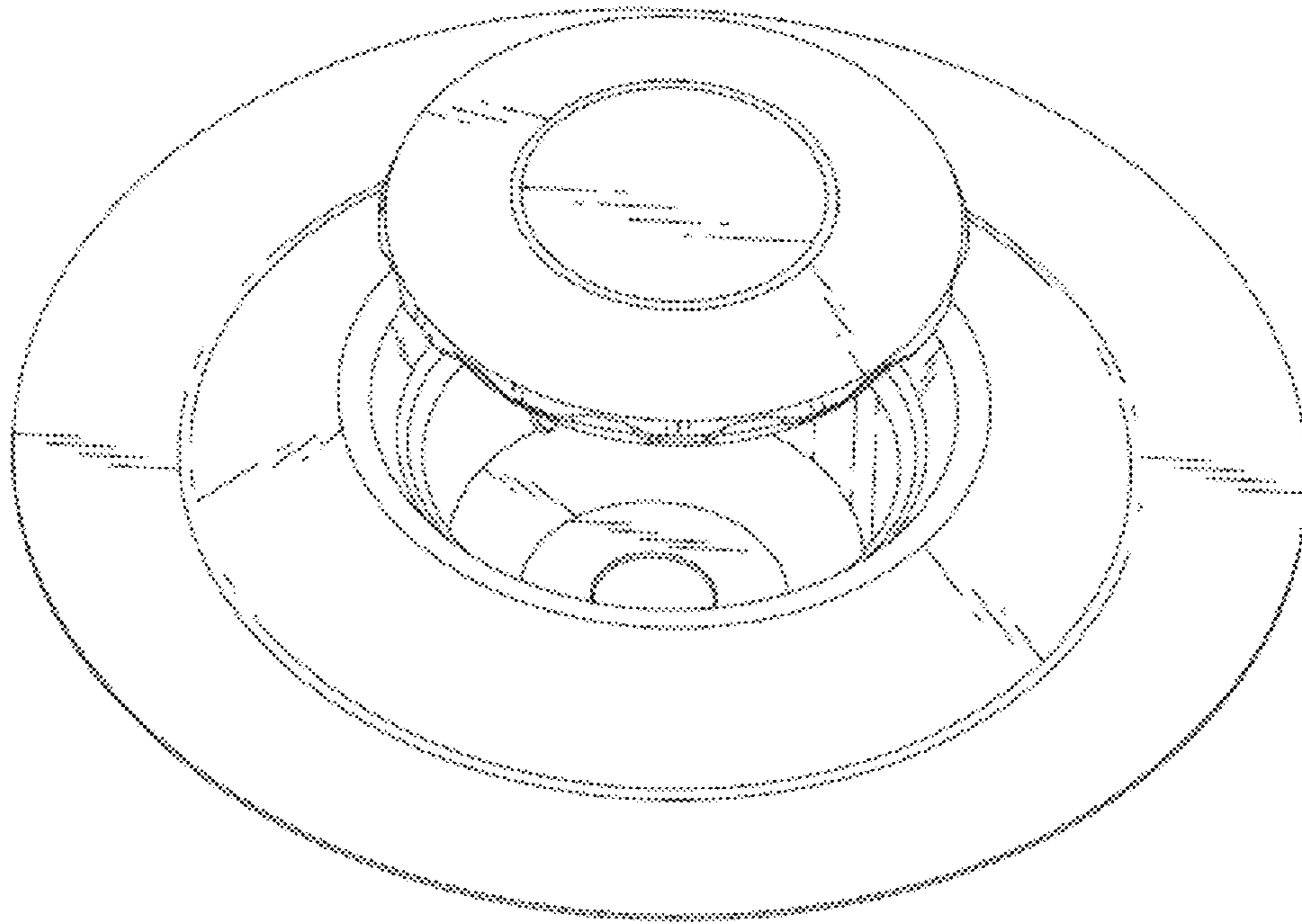


Fig. 1

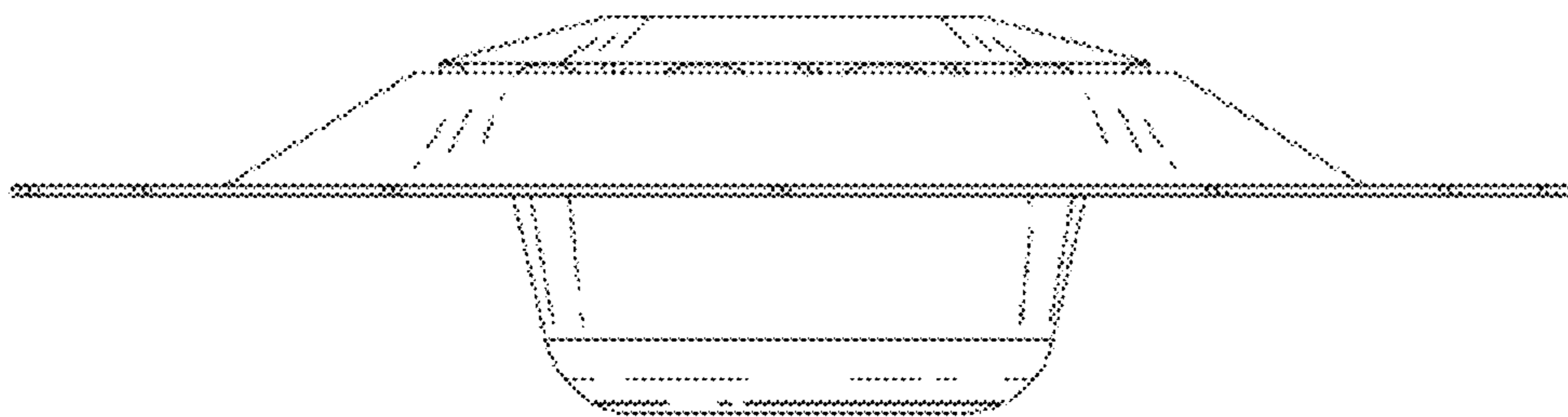


Fig. 2

