



US00D758128S

(12) **United States Design Patent**
McConnell et al.

(10) **Patent No.:** **US D758,128 S**
(45) **Date of Patent:** **** Jun. 7, 2016**

(54) **COOKWARE ARTICLE WITH HANDLE**

(71) Applicant: **Whirlpool Corporation**, Benton Harbor, MI (US)

(72) Inventors: **John W. McConnell**, St. Joseph, MI (US); **Wenkai Wu**, Aurora, IL (US)

(73) Assignee: **Whirlpool Corporation**, Benton Harbor, MI (US)

(**) Term: **14 Years**

(21) Appl. No.: **29/517,601**

(22) Filed: **Feb. 13, 2015**

(51) **LOC (10) Cl.** **07-02**

(52) **U.S. Cl.**
USPC **D7/394**

(58) **Field of Classification Search**
USPC D7/354-361, 391, 393-395, 396.2, 514, D7/664; D8/107, 300, 301, 306, 315, 316, D8/317, 319, 320, 321; D3/318
CPC A47J 45/06; A47J 45/061; A47J 45/62; A47J 45/08; A47J 45/085; B65D 25/2802; B65D 25/2882; B65D 25/2885; B65D 25/2888; B65D 25/2894; Y10S 220/912
See application file for complete search history.

(56) **References Cited**

U.S. PATENT DOCUMENTS

D588,402 S *	3/2009	Rae	D7/394
D630,049 S *	1/2011	Rae	D7/394
D642,012 S *	7/2011	Rae	D7/394
D642,013 S *	7/2011	Rae	D7/394
D644,484 S *	9/2011	Rae	D7/394
D657,997 S *	4/2012	Rae	D7/394

D667,684 S *	9/2012	Rae	D7/394
D699,510 S *	2/2014	Rae	D7/394
D702,080 S *	4/2014	Lee	D7/394
D704,993 S *	5/2014	Rae	D7/394
D705,594 S *	5/2014	Rae	D7/394
D709,321 S *	7/2014	Rae	D7/394
D713,675 S *	9/2014	Rae	D7/394
D728,995 S *	5/2015	Barberi	D7/394

* cited by examiner

Primary Examiner — Cynthia M Chin

(57) **CLAIM**

The ornamental design for a cookware article with handle, as shown and described.

DESCRIPTION

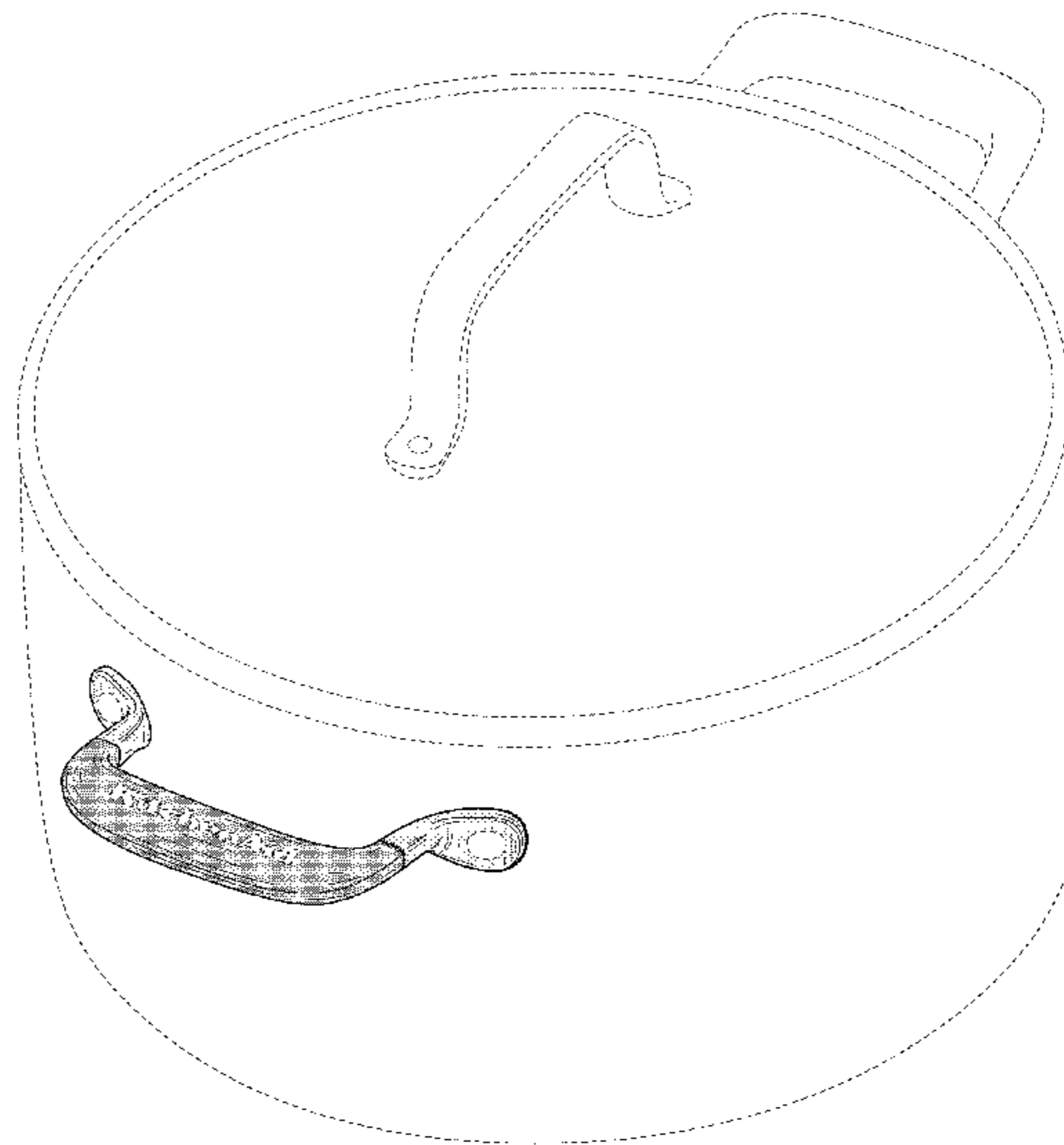
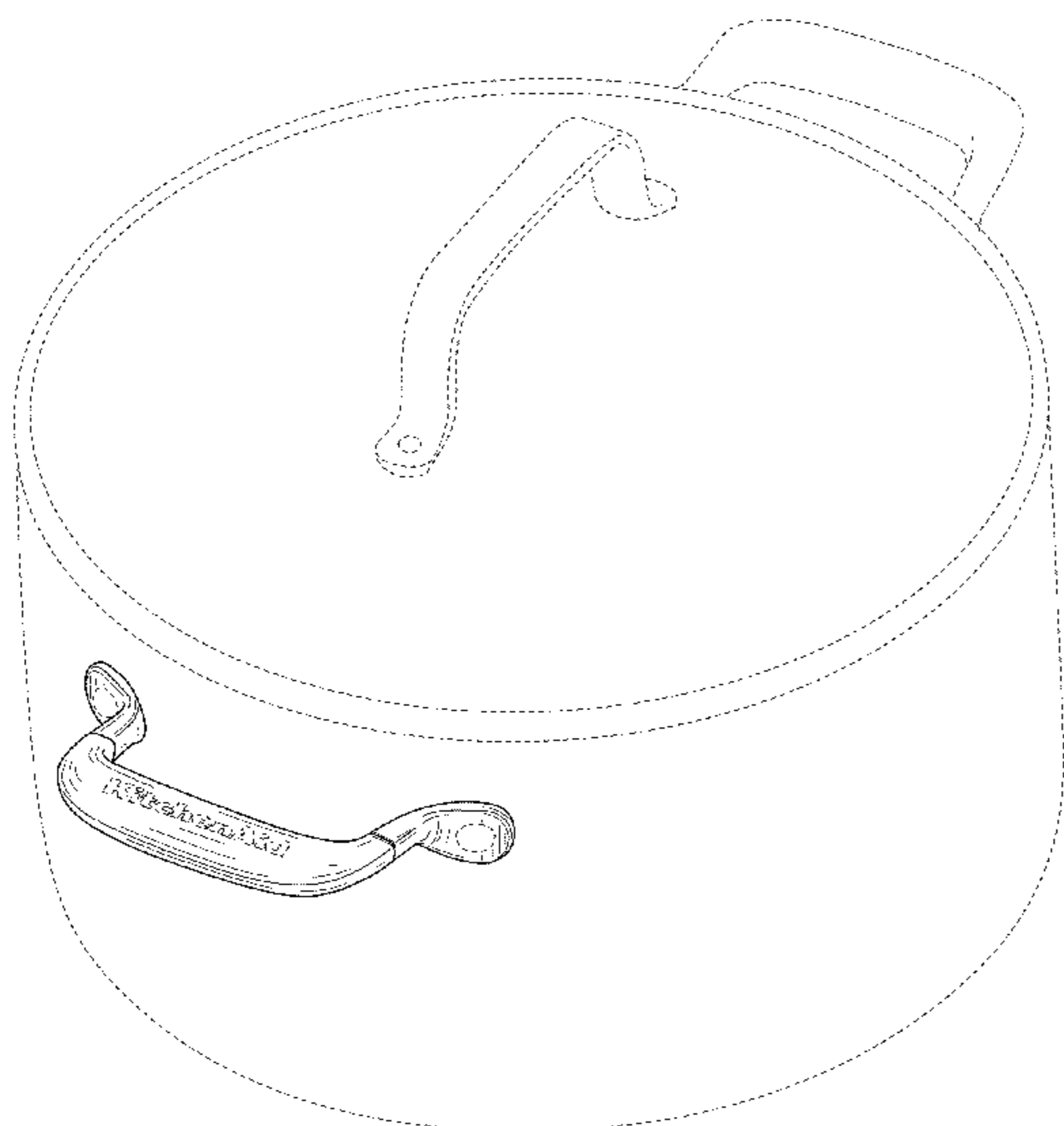
FIG. 1 is a front perspective view of a cookware article with handle according to a first embodiment of our design; FIG. 2 is a right side view thereof; FIG. 3 is a left side view thereof; FIG. 4 is a top side view thereof; FIG. 5 is a bottom side view thereof; FIG. 6 is a front view thereof; FIG. 7 is a back view thereof; FIG. 8 is a front perspective view of a cookware article with handle according to a second embodiment of our design; FIG. 9 is a right side view thereof; FIG. 11 is a top side view thereof; FIG. 12 is a bottom side view thereof; FIG. 13 is a front view thereof; and, FIG. 14 is a back view thereof.

Broken lines are environmental only and form no part of the claimed design.

The light stipple fill in FIGS. 8-14 indicates a metallic material surface appearance.

FIGS. 8-14 are shaded to show a contrast in appearance.

1 Claim, 14 Drawing Sheets



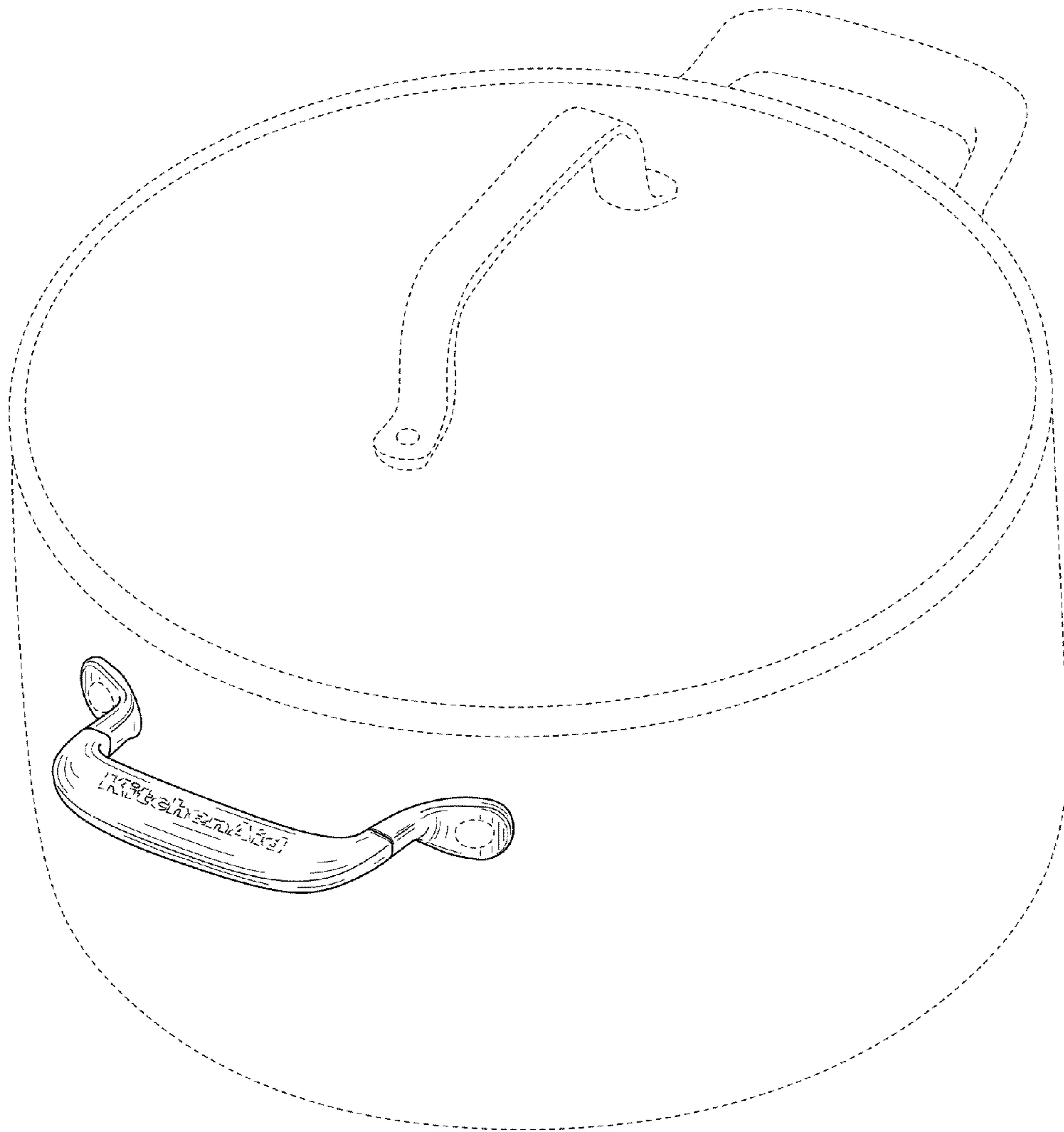


FIG. 1

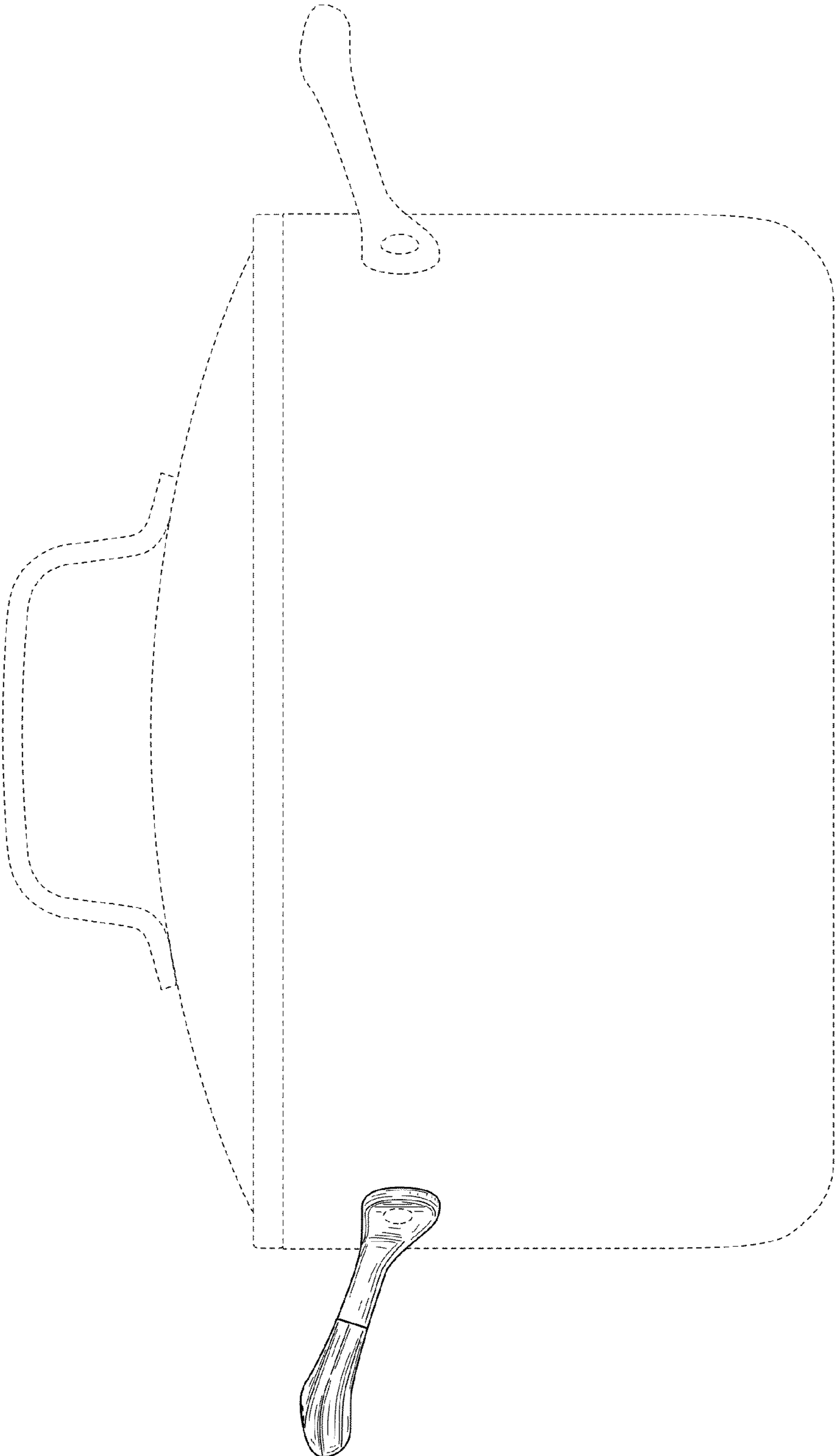


FIG. 2

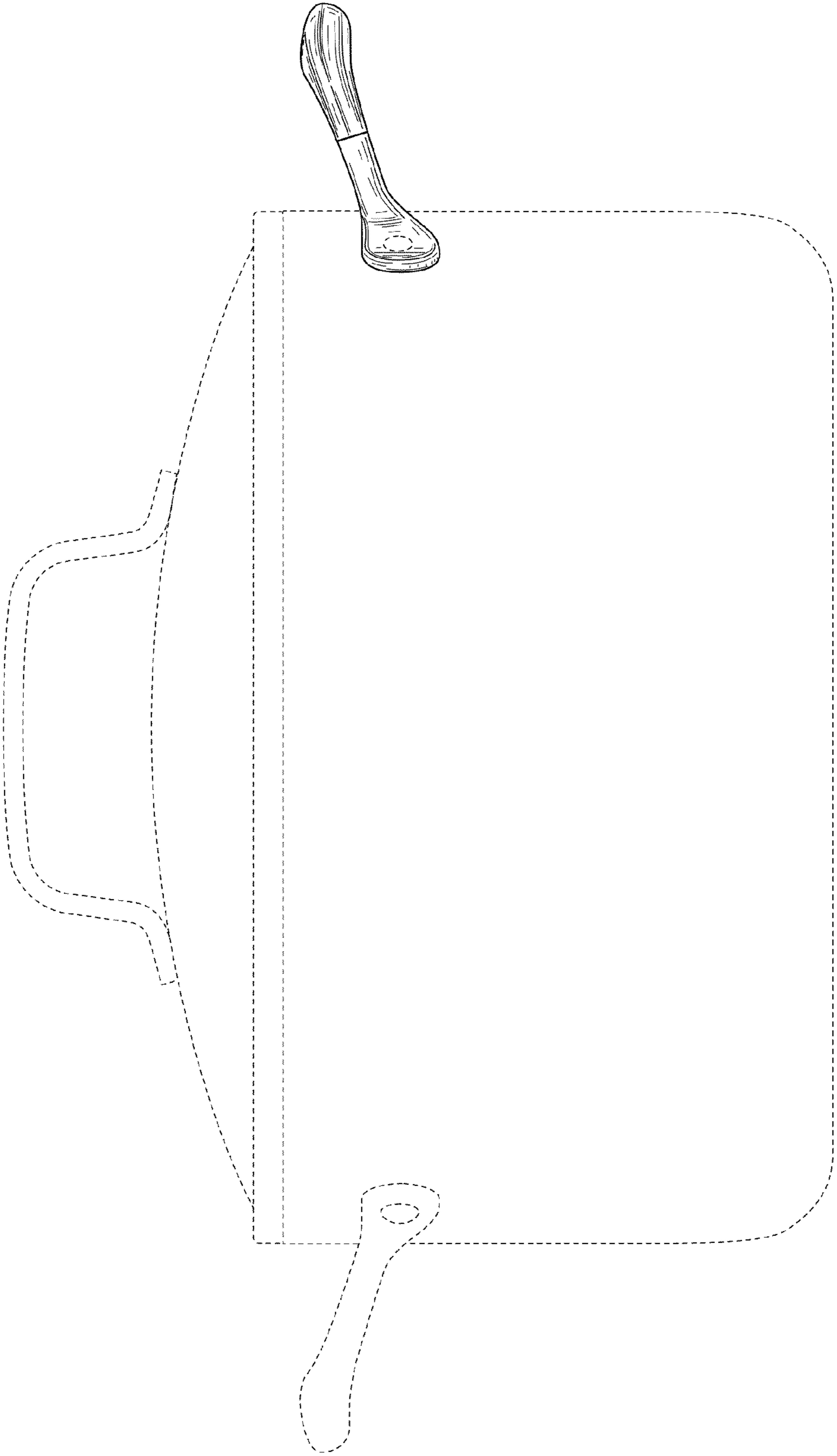


FIG. 3

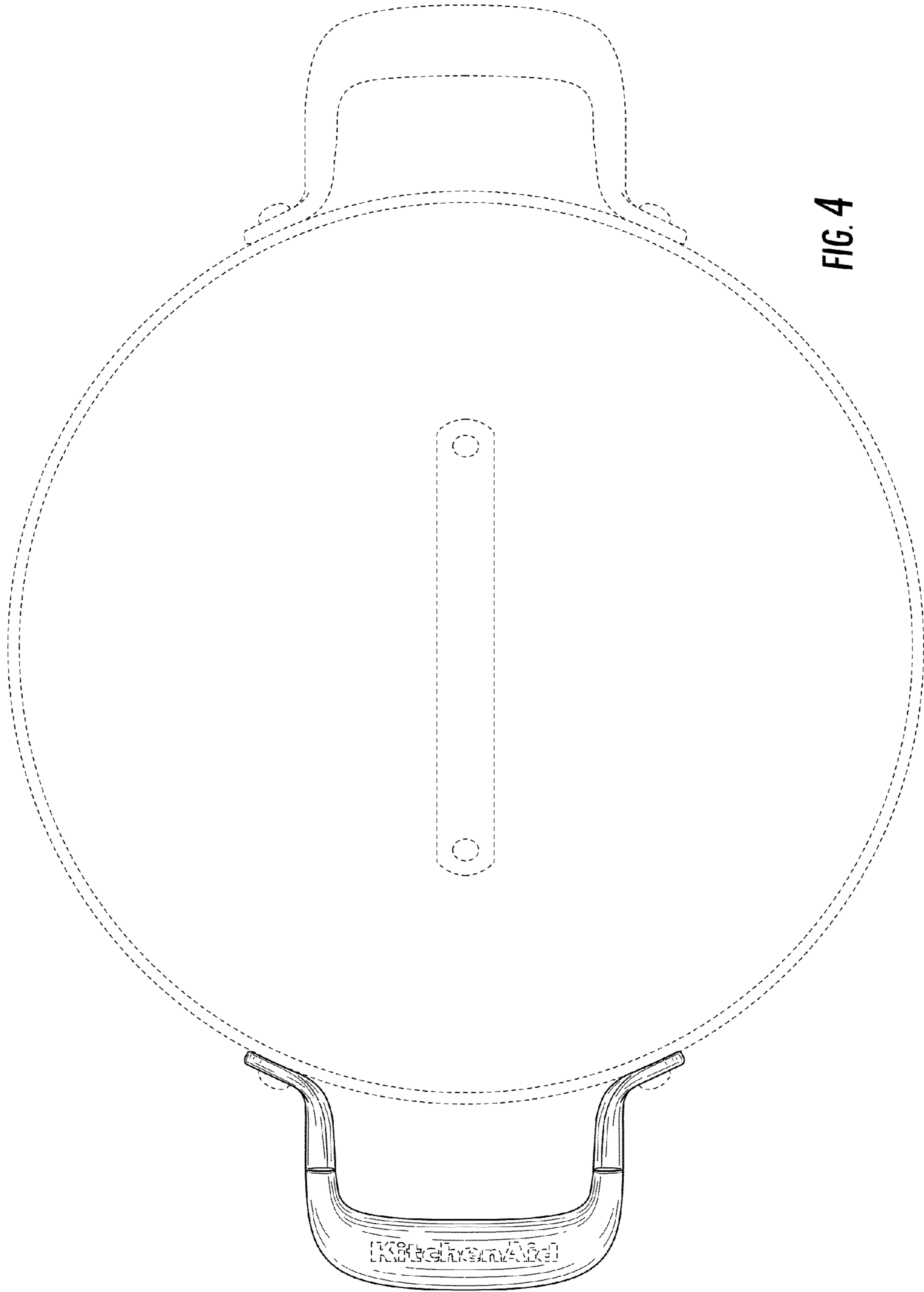


FIG. 4

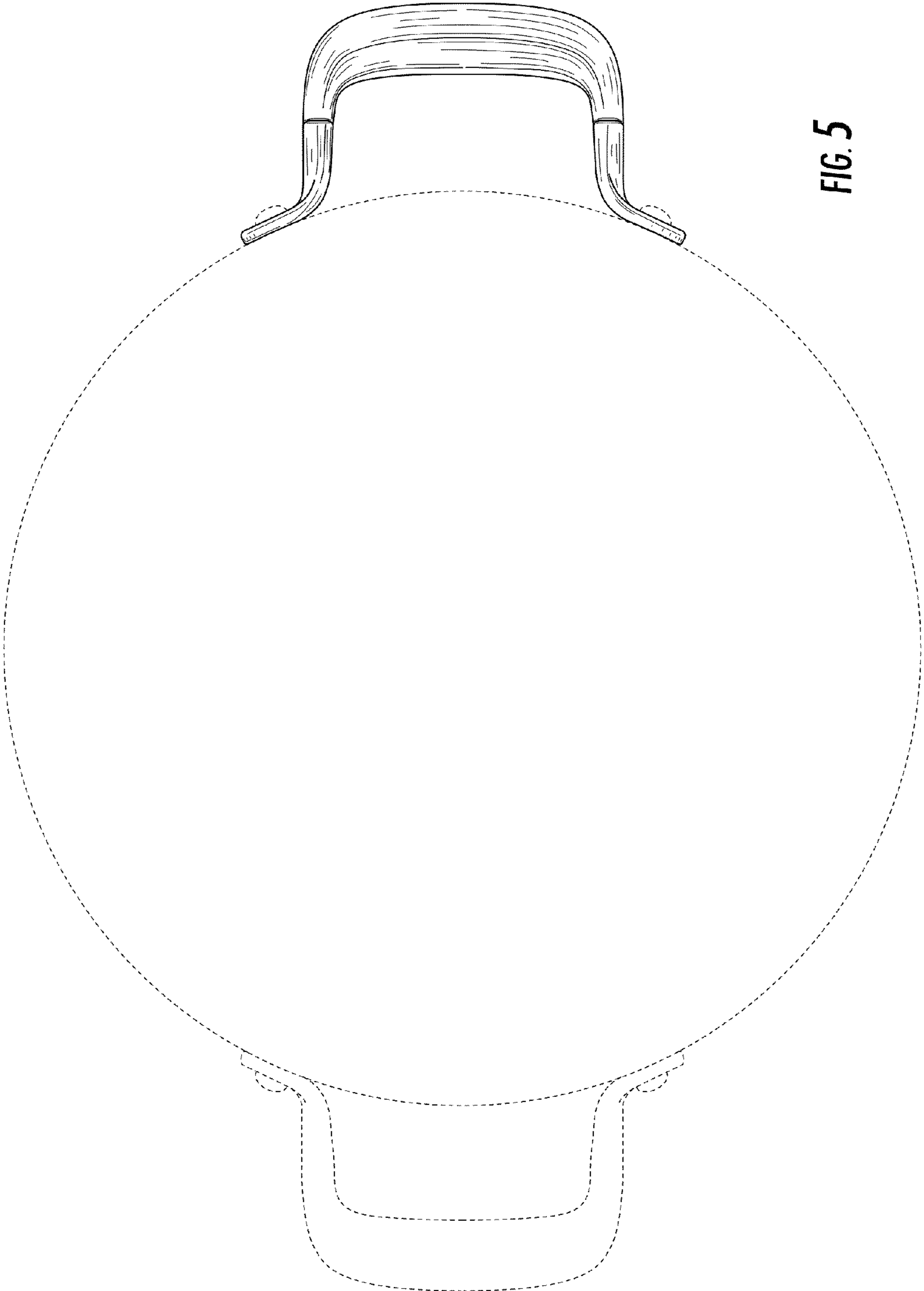


FIG. 5

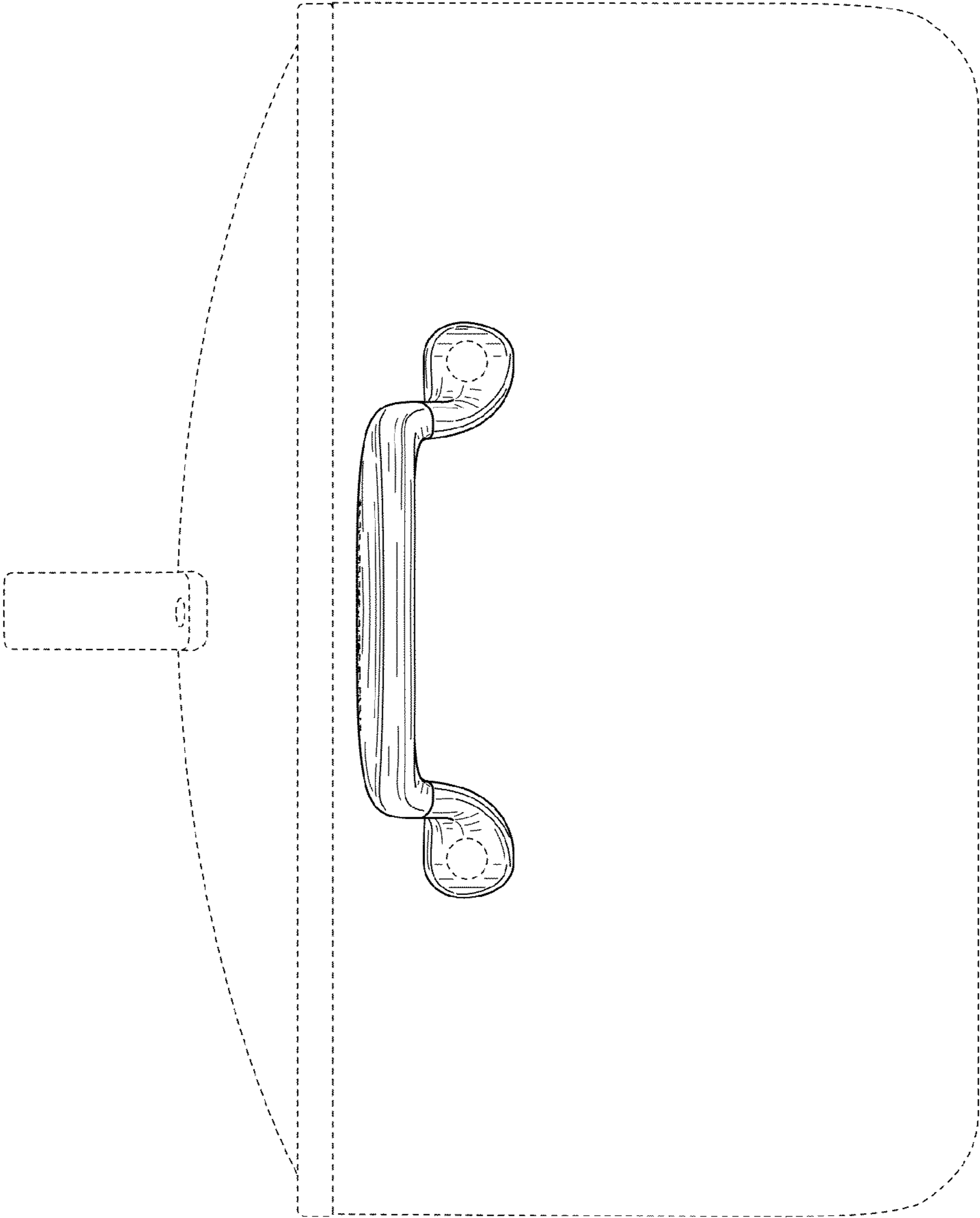


FIG. 6

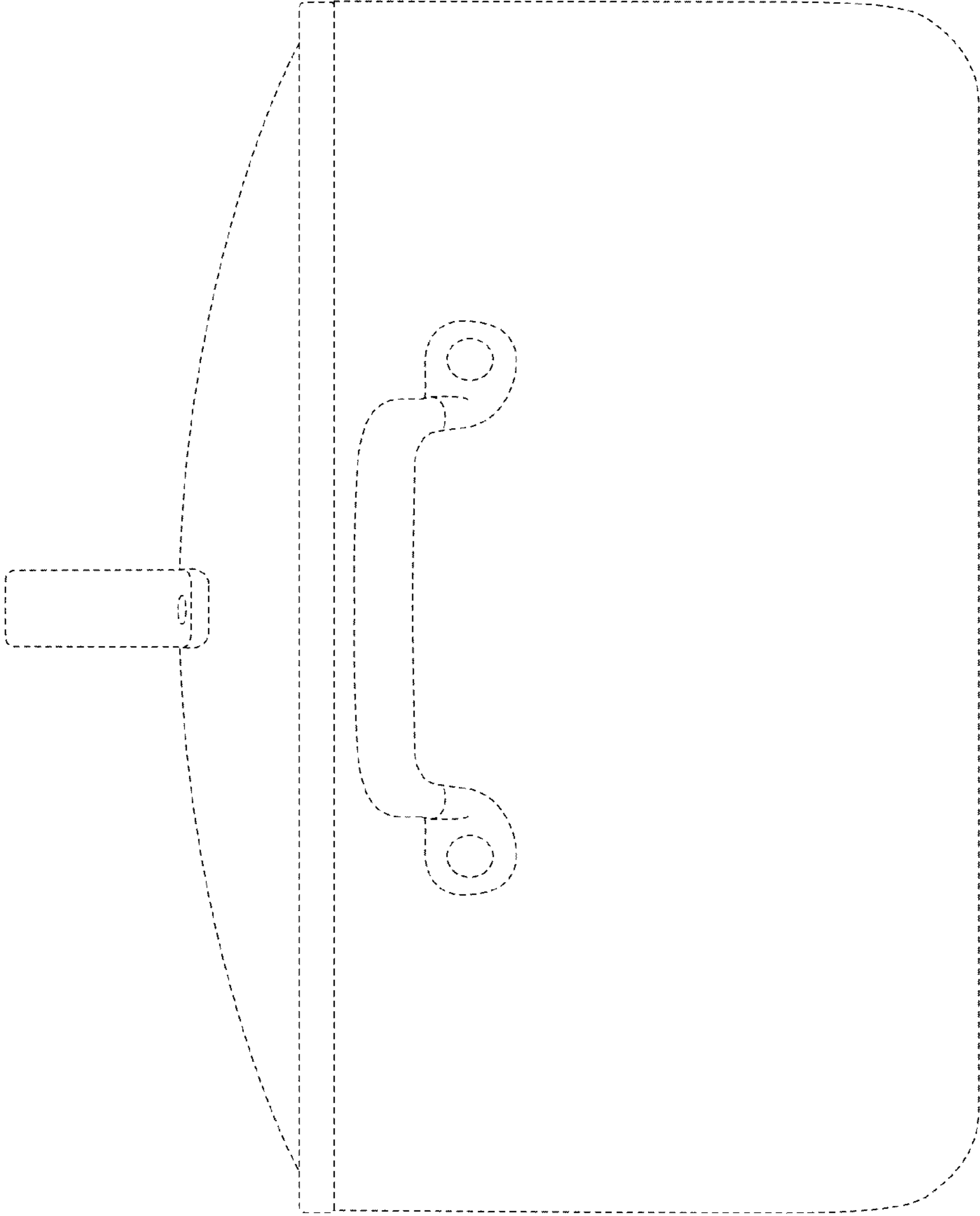


FIG. 7

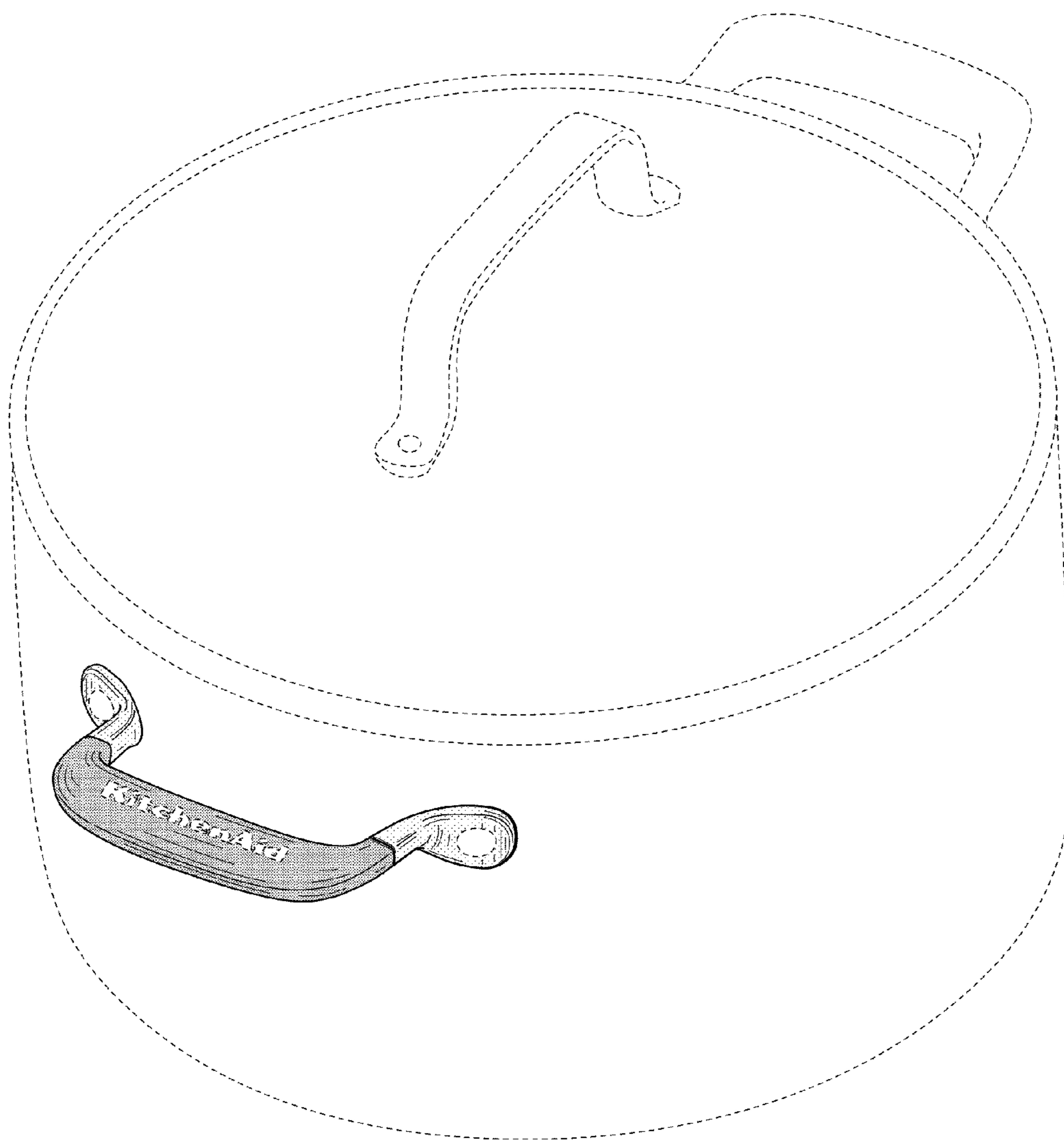


FIG. 8

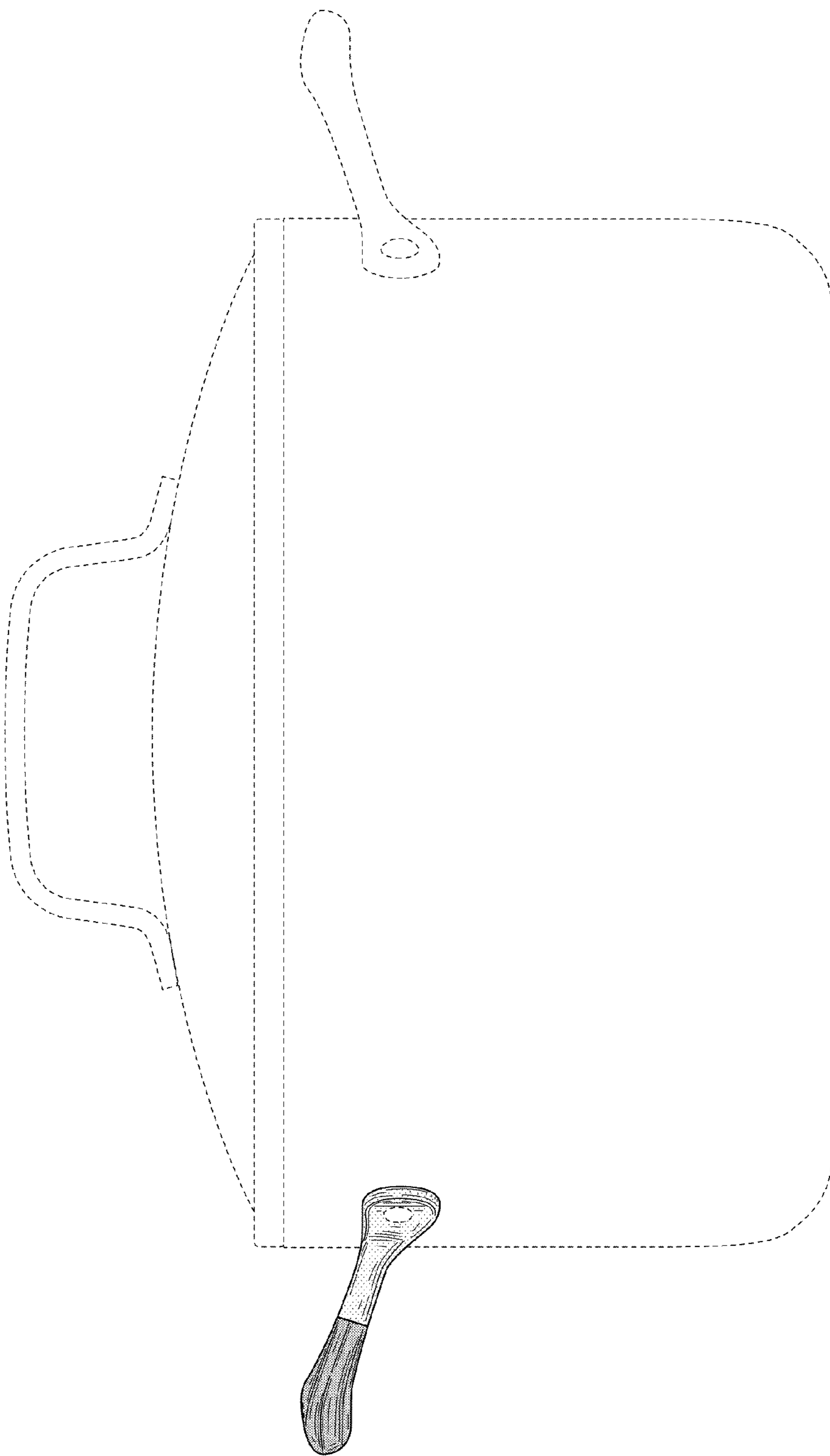


FIG. 9

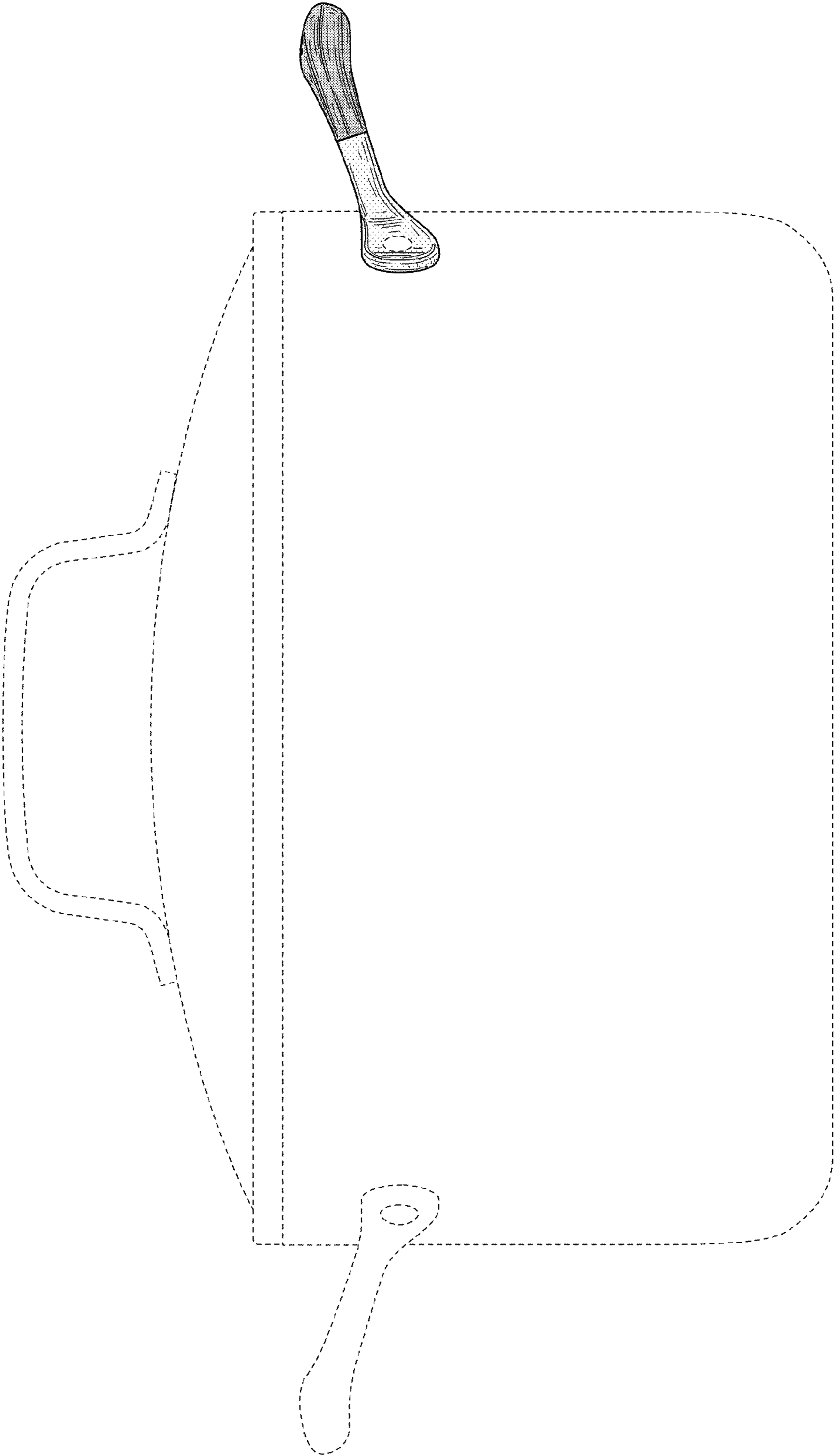


FIG. 10

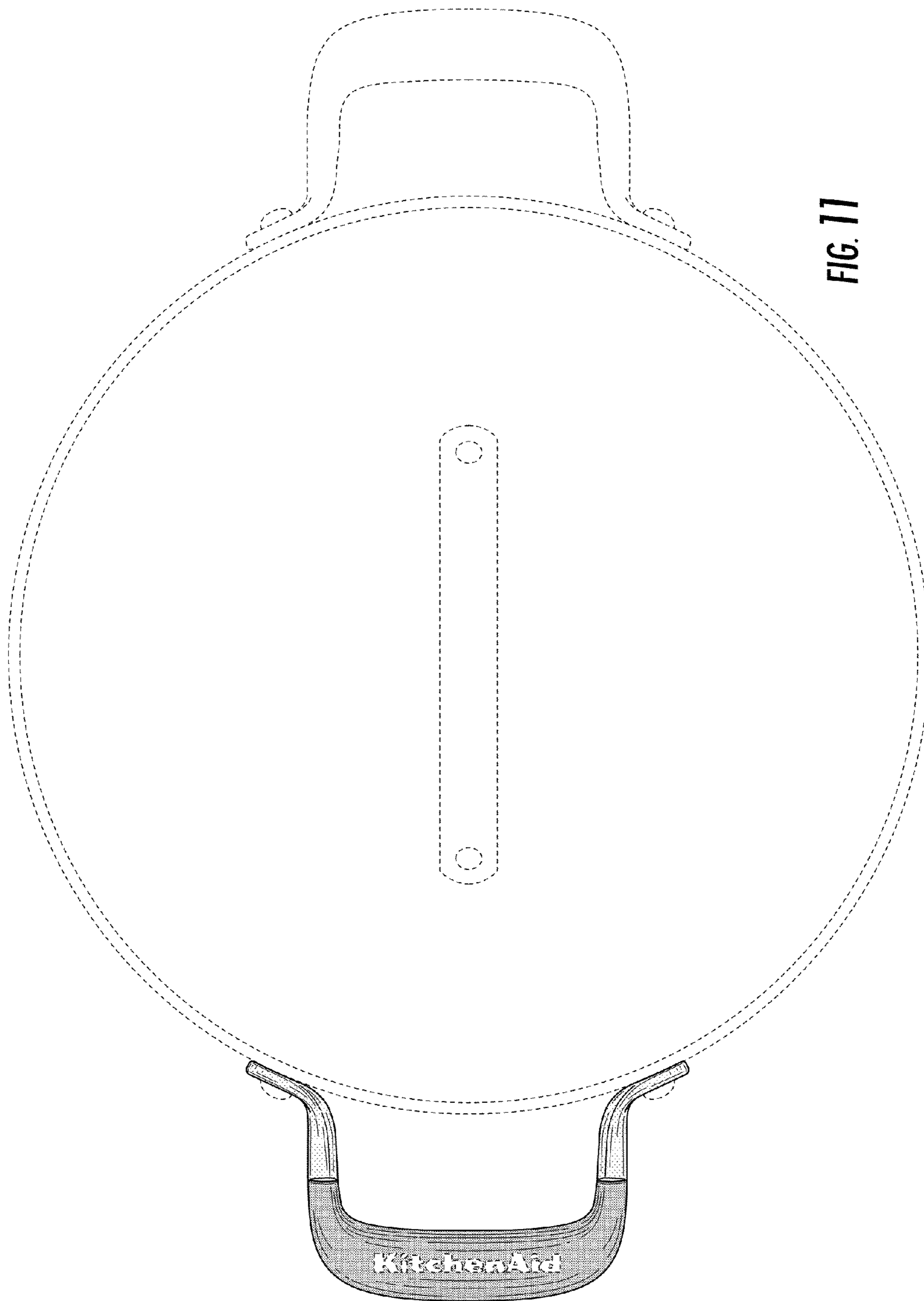


FIG. 11

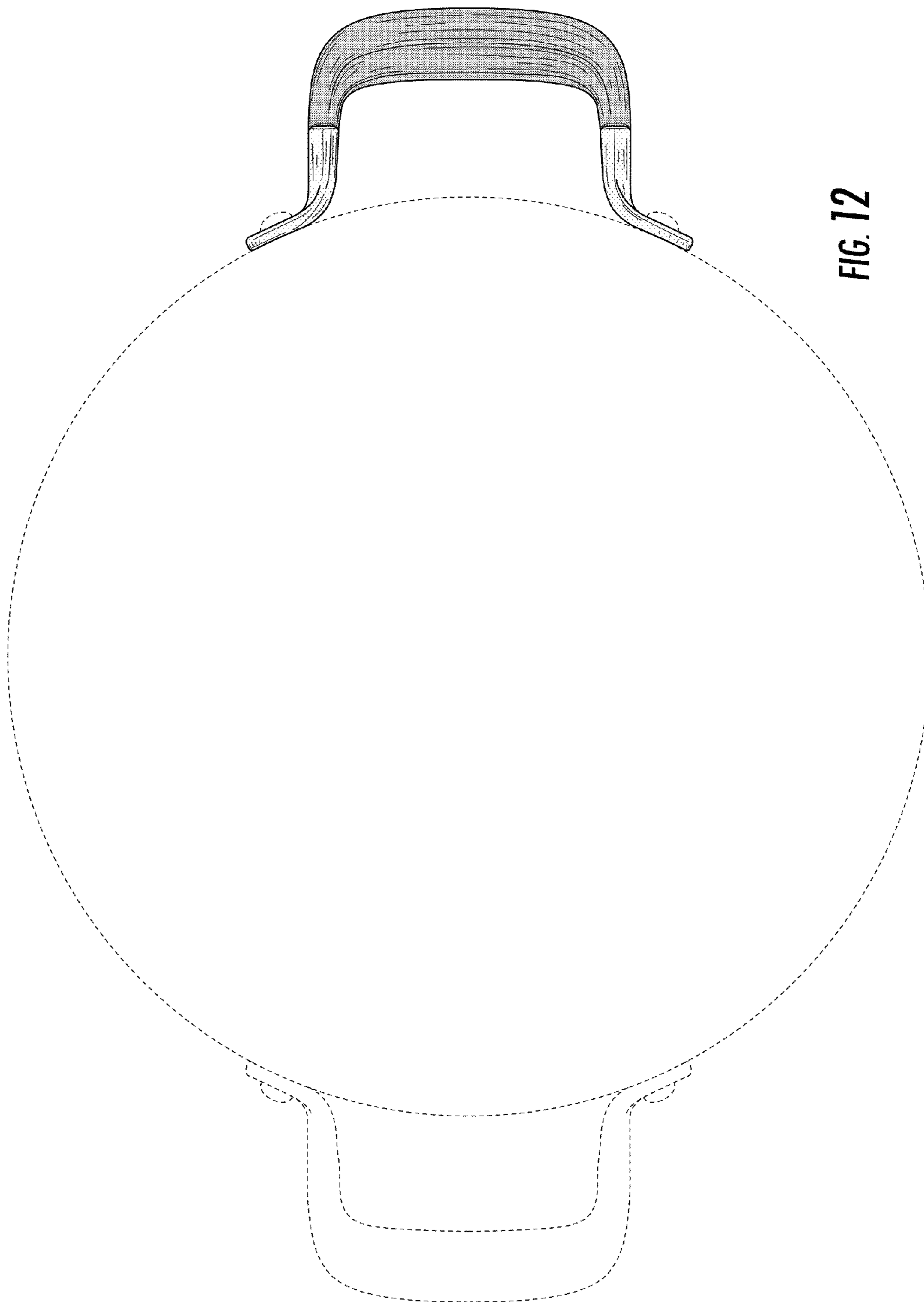


FIG. 12

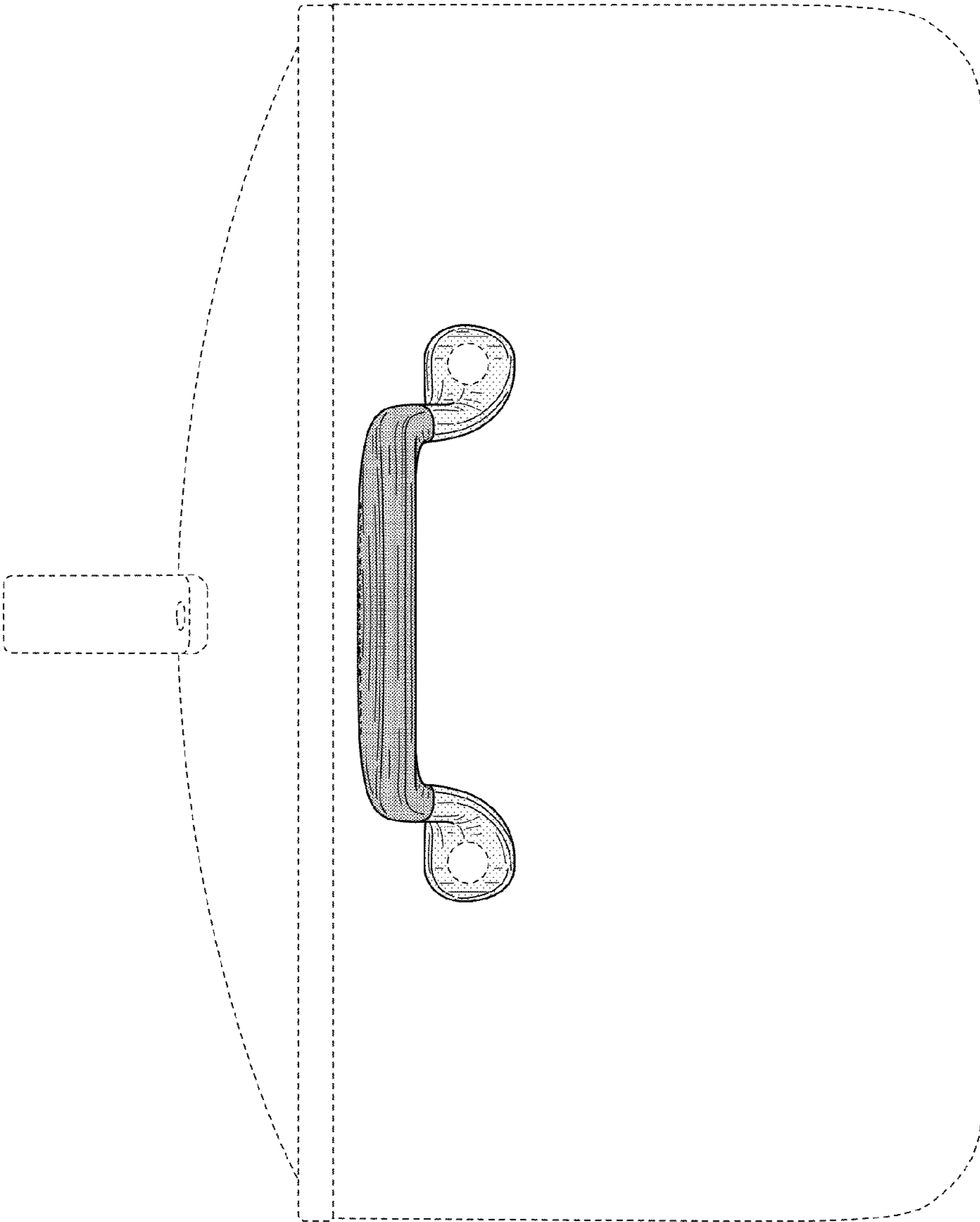


FIG. 13

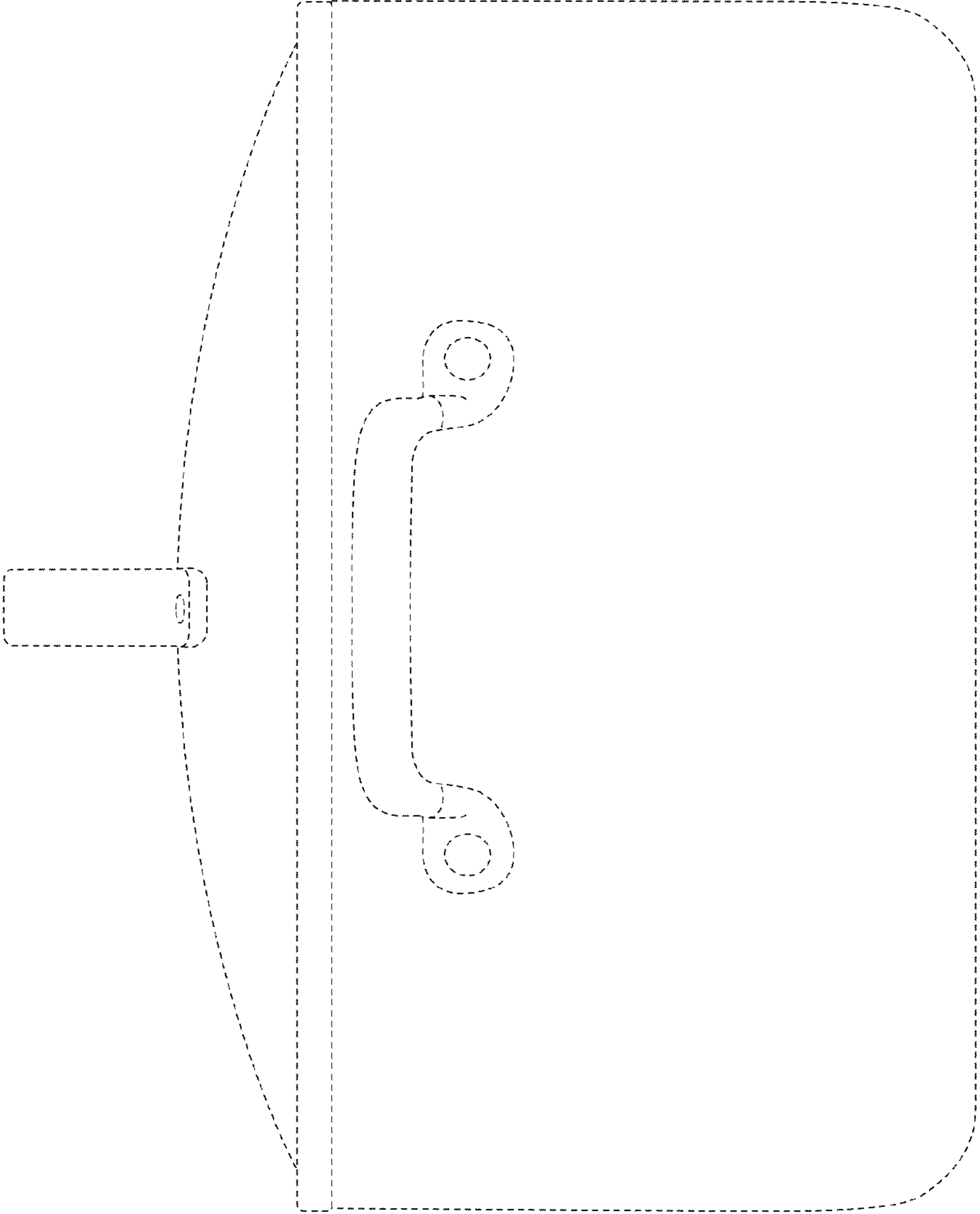


FIG. 14