



US00D758125S

(12) **United States Design Patent**  
**Jeong**

(10) **Patent No.:** **US D758,125 S**  
(45) **Date of Patent:** **\*\* Jun. 7, 2016**

(54) **STAND MIXER**

- (71) Applicant: **Electrolux Appliances Aktiebolag**, Stockholm (SE)
- (72) Inventor: **Jaewan Jeong**, Shanghai (CN)
- (73) Assignee: **Electrolux Appliances Aktiebolag** (SE)
- (\*\*) Term: **14 Years**
- (21) Appl. No.: **29/520,557**
- (22) Filed: **Mar. 16, 2015**
- (30) **Foreign Application Priority Data**

Dec. 3, 2014 (EM) ..... 2589762

- (51) **LOC (10) Cl.** ..... **31-00**
- (52) **U.S. Cl.**  
USPC ..... **D7/379**; D7/376; D7/384
- (58) **Field of Classification Search**  
USPC ..... D7/309, 372, 376-386, 412-413, 602, D7/629, 665-666, 669, 679, 693-694  
CPC ..... A21C 1/02; A21C 1/04; A23N 1/00; A23N 1/02; A47J 27/004; A47J 43/04; A47J 43/25; A47J 43/27; A47J 43/042; A47J 43/044; A47J 43/046; A47J 43/075; A47J 43/0722; A47J 43/0727; A47J 43/082; B01F 3/00; B01F 3/0807; B01F 3/0853; B01F 13/0059; B01F 13/0064; B02C 1/08; B02C 2/04; B02C 4/42; B02C 4/142; B02C 4/143; B02C 4/423; B02C 13/1835; B28C 5/10; B28C 5/12; B28C 5/14; B28C 5/16

See application file for complete search history.

(56) **References Cited**

U.S. PATENT DOCUMENTS

D189,936 S *	3/1961	Grange .....	D7/379
4,893,942 A *	1/1990	Stottmann .....	A47J 43/082 366/279
D350,871 S *	9/1994	Littmann .....	D7/309
D499,604 S *	12/2004	Hooper .....	D7/376
D530,146 S *	10/2006	Ball .....	D7/379
D584,916 S *	1/2009	Christou .....	D7/376
D616,699 S *	6/2010	Hoare .....	D7/376
D654,304 S *	2/2012	Bodum .....	D7/376
8,348,186 B2 *	1/2013	Seidler .....	A47J 27/004 241/101.3
D677,520 S *	3/2013	Choi .....	D7/376
D728,304 S *	5/2015	Weaden .....	D7/376
D743,735 S *	11/2015	Weaden .....	D7/376
D748,428 S *	2/2016	Yuan .....	D7/376

\* cited by examiner

*Primary Examiner* — Ricky Pham

(74) *Attorney, Agent, or Firm* — RatnerPrestia

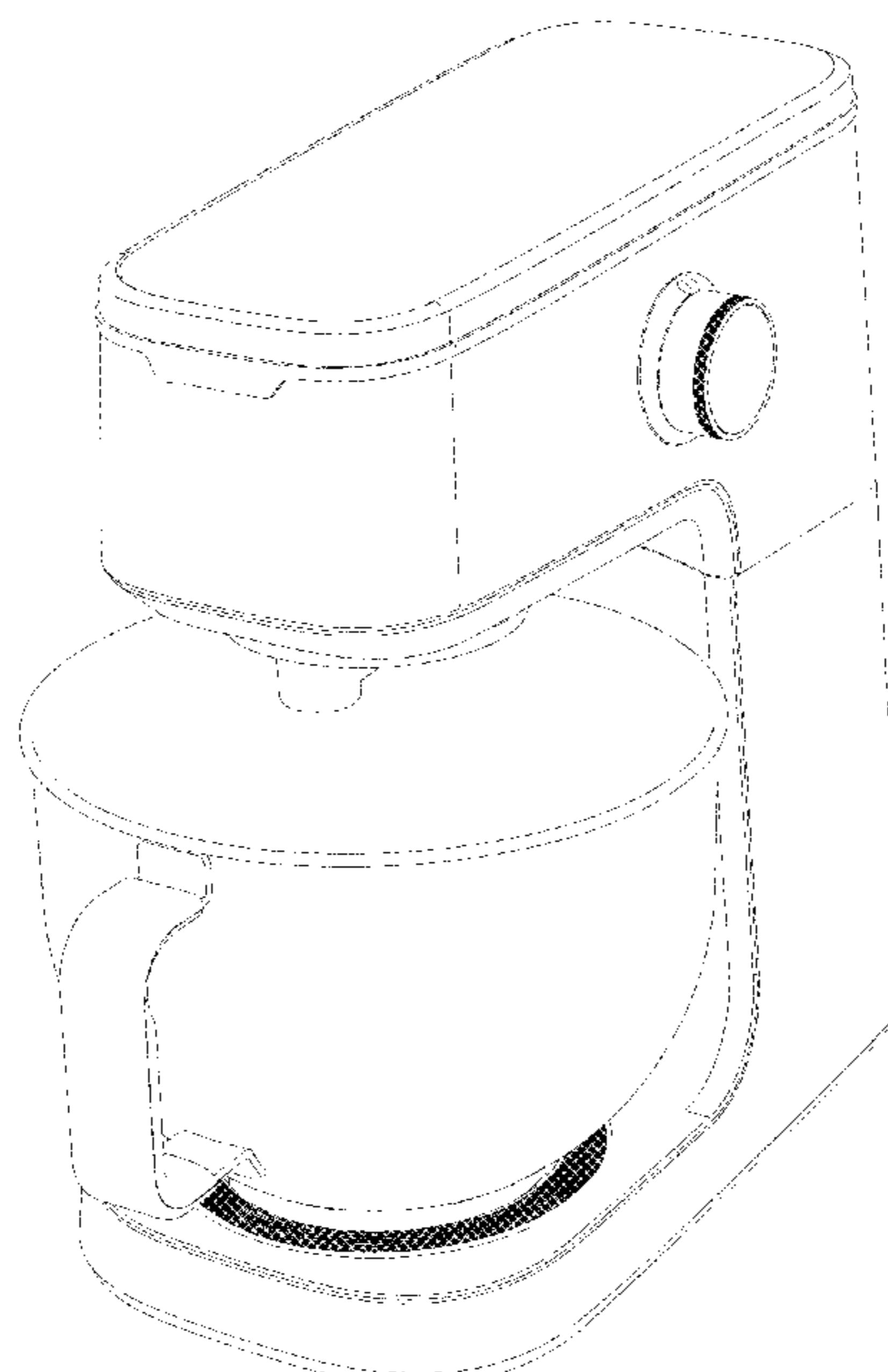
(57) **CLAIM**

The ornamental design for a stand mixer, as shown and described.

**DESCRIPTION**

FIG. 1 is a perspective view of a stand mixer according to a first embodiment of the present invention.  
 FIG. 2 is a front elevation view of the a stand mixer of FIG. 1.  
 FIG. 3 is a left side elevation view of the stand mixer of FIG. 1.  
 FIG. 4 is a rear elevation view of the stand mixer of FIG. 1.  
 FIG. 5 is a right side elevation view of the stand mixer of FIG. 1.  
 FIG. 6 is a top plan view of the stand mixer of FIG. 1; and,  
 FIG. 7 is a bottom plan view of the stand mixer of FIG. 1.

**1 Claim, 7 Drawing Sheets**



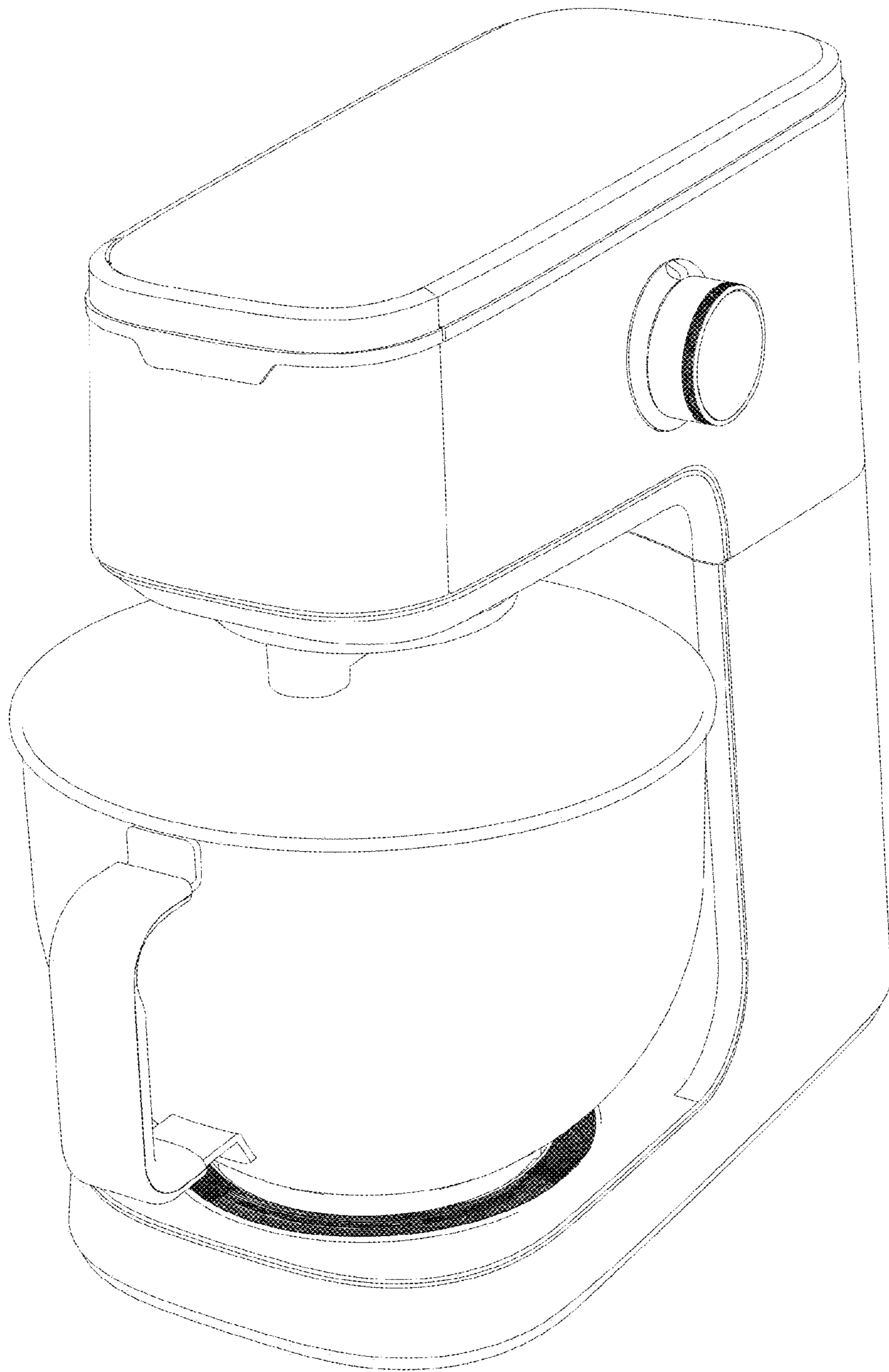


Figure 1

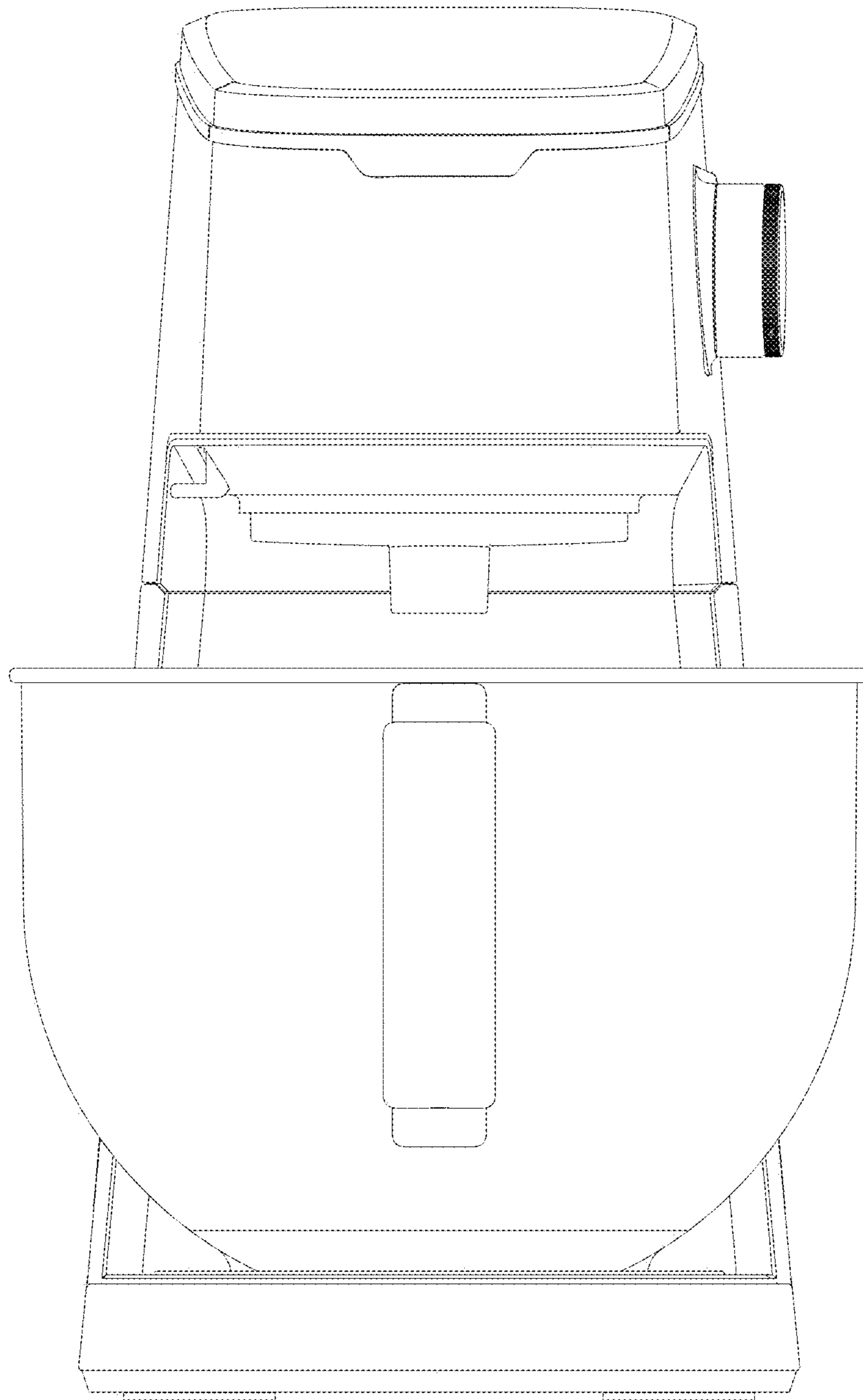


Figure 2

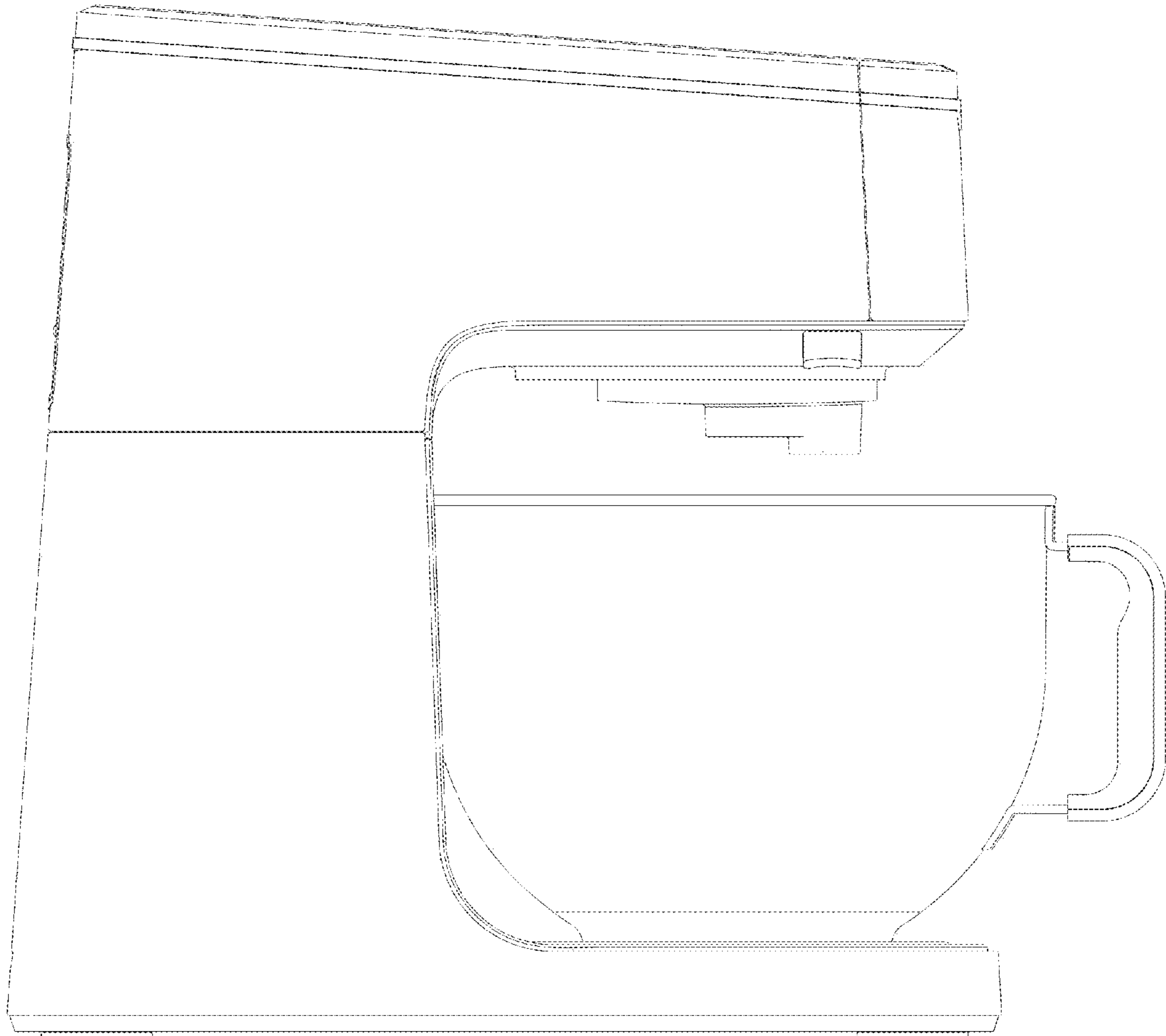


Figure 3

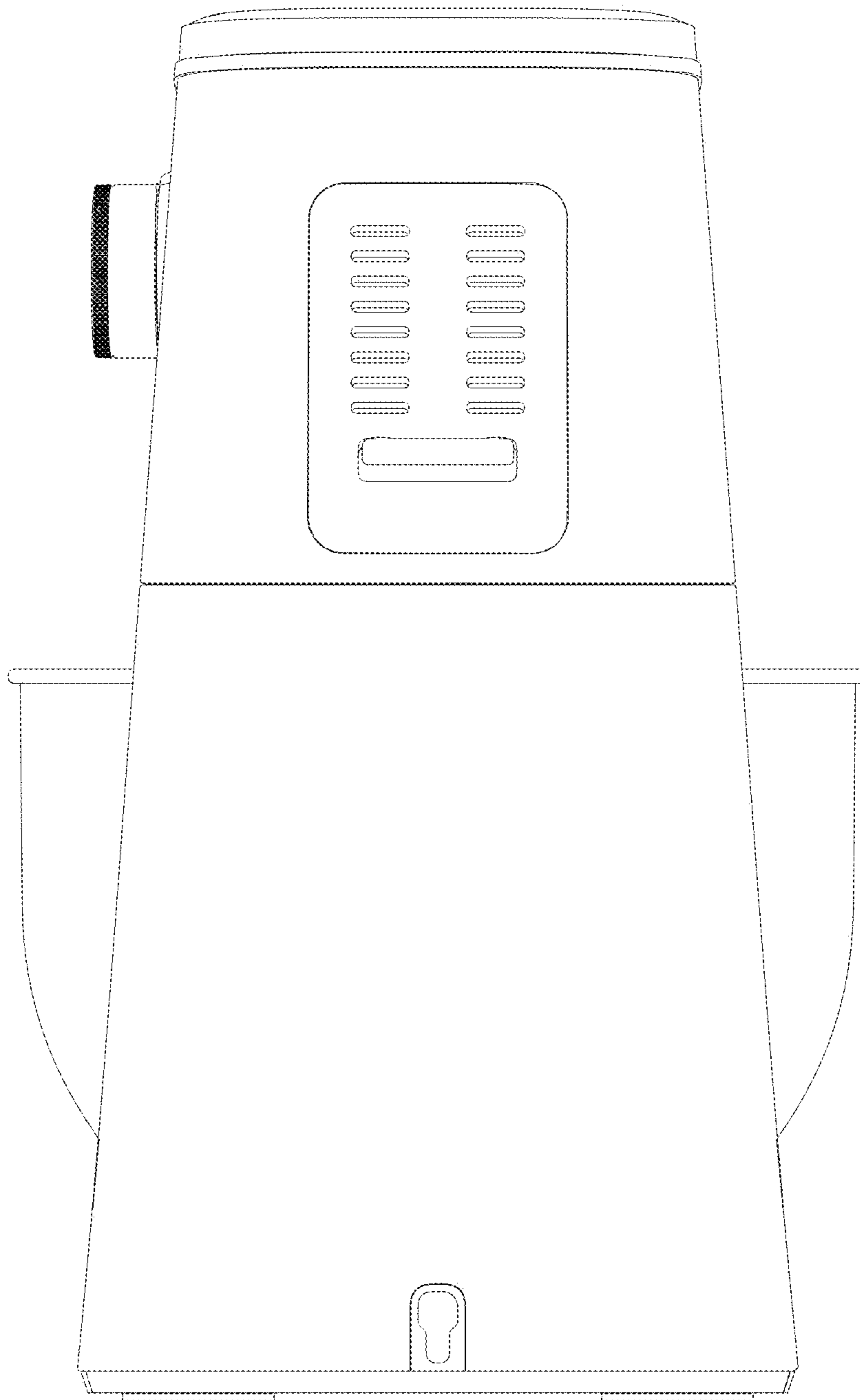


Figure 4

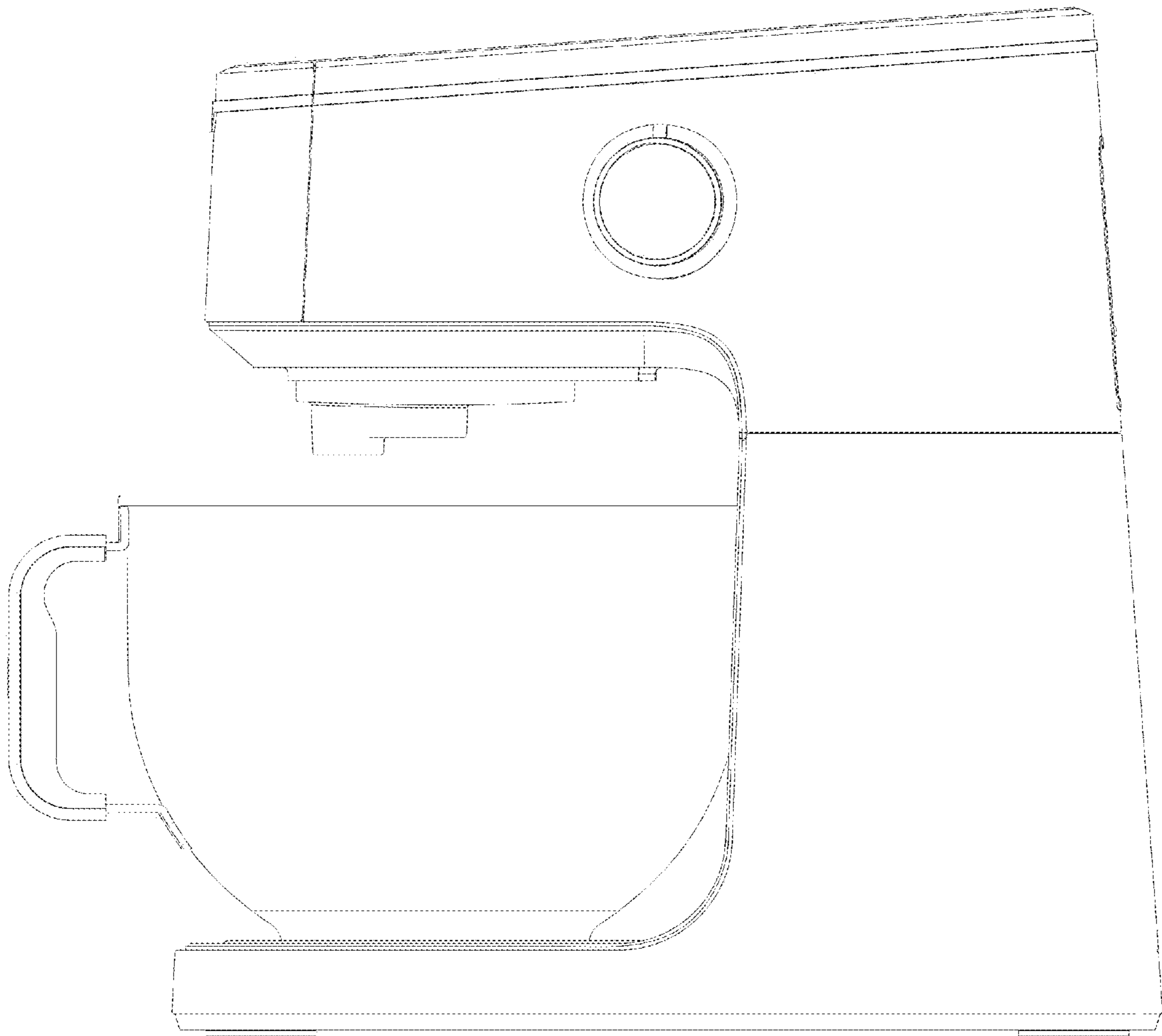


Figure 5

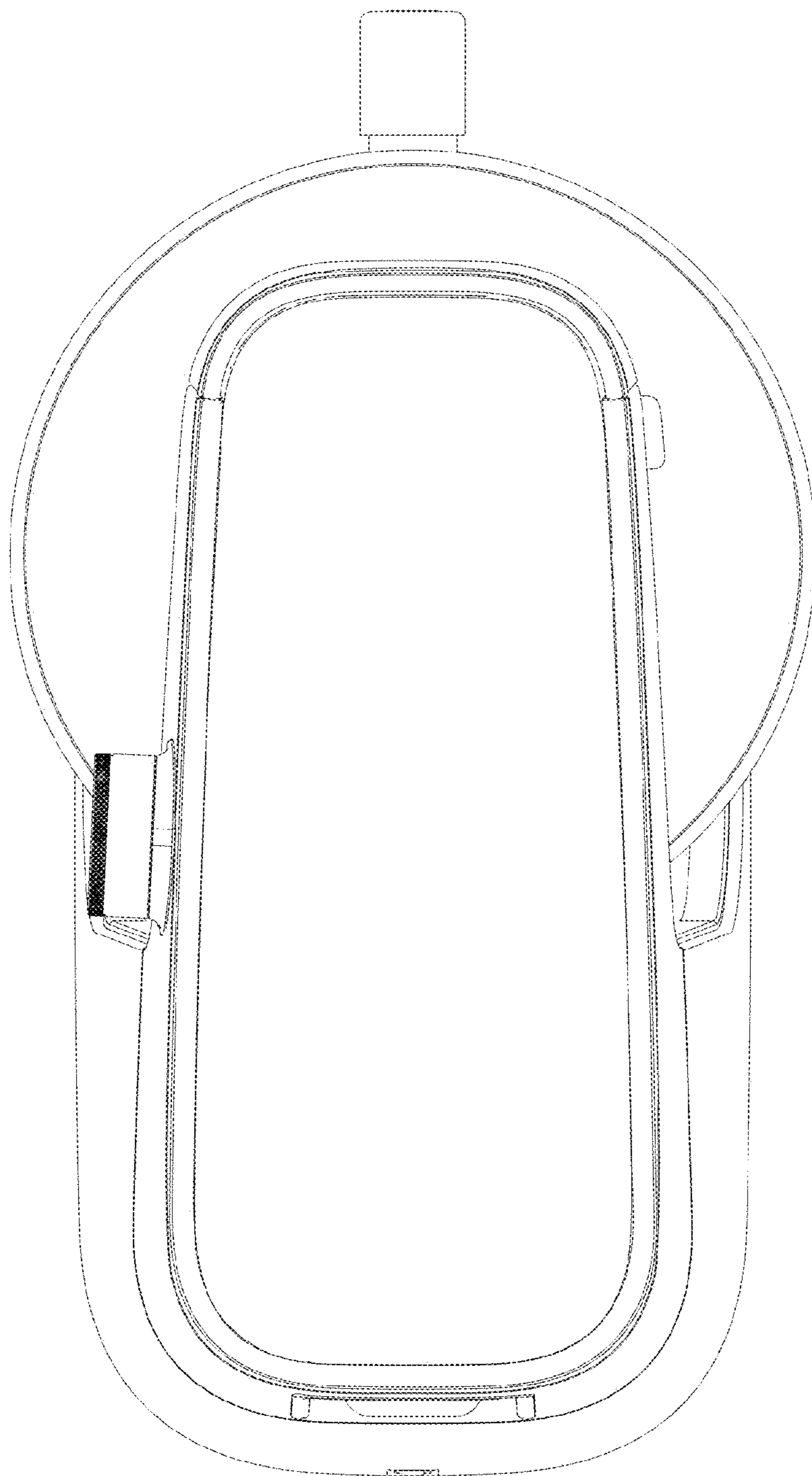


Figure 6

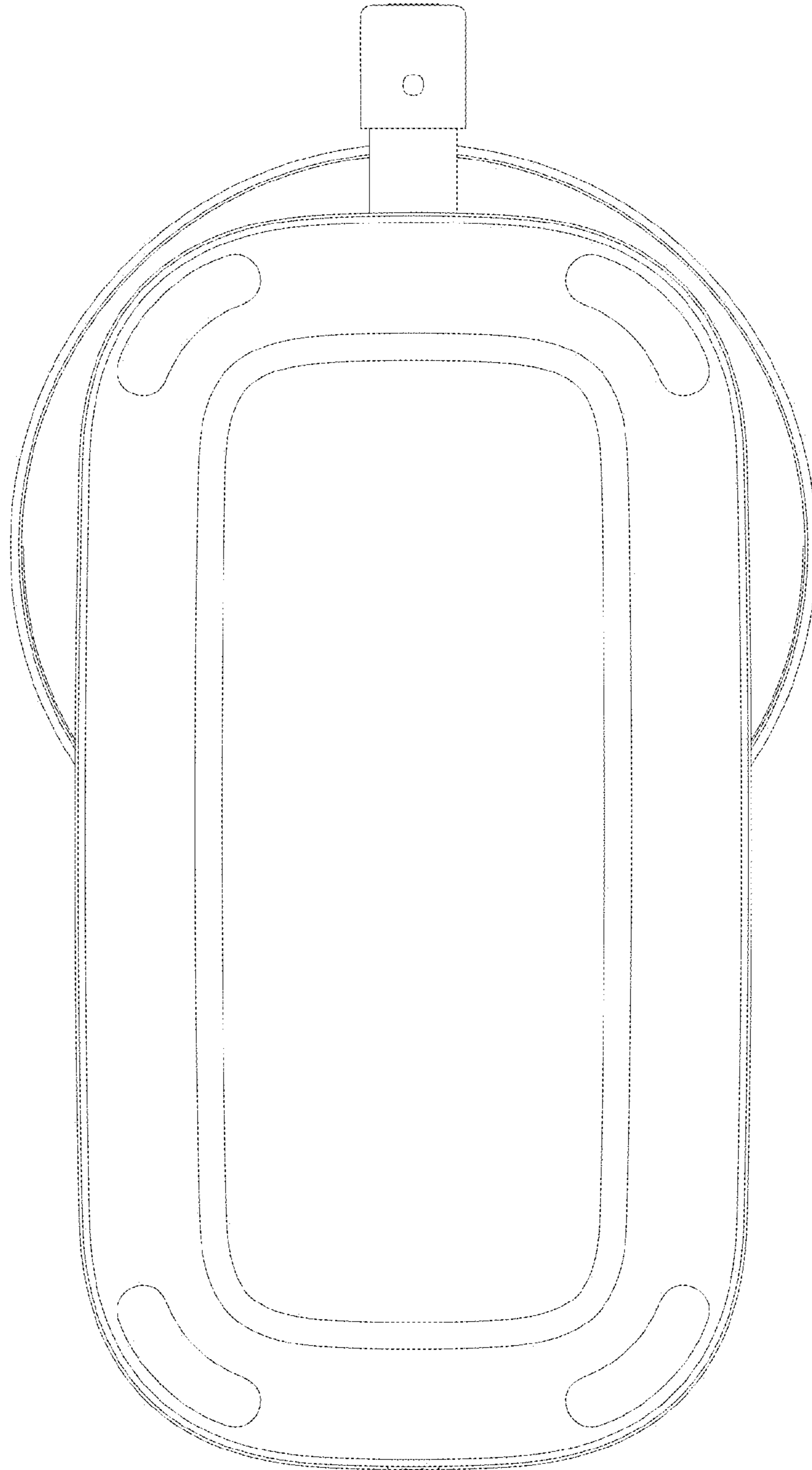


Figure 7