



US00D758123S

(12) **United States Design Patent**
Gabbay

(10) **Patent No.:** **US D758,123 S**
(45) **Date of Patent:** **** Jun. 7, 2016**

(54) **PIONEER WOMAN BUTTERFLY HANDLED
BRAISER WITH LID**

(71) Applicant: **Soleiman Gabbay**, Commerce, CA (US)

(72) Inventor: **Soleiman Gabbay**, Commerce, CA (US)

(73) Assignee: **GIBSON OVERSEAS INC.**,
Commerce, CA (US)

(**) Term: **14 Years**

(21) Appl. No.: **29/519,026**

(22) Filed: **Mar. 2, 2015**

(51) **LOC (10) Cl.** **07-02**

(52) **U.S. Cl.**
USPC **D7/361; D7/354; D7/360**

(58) **Field of Classification Search**
USPC D7/323, 354-363, 391, 393-396,
D7/542-545
CPC A47G 19/12; A47J 27/00; A47J 27/002;
A47J 27/08; A47J 27/21; A47J 27/58; A47J
36/02; A47J 36/025; A47J 36/06; A47J 36/12;
A47J 37/00; A47J 37/10; A47J 37/101;
A47J 37/103; A47J 37/12; A47J 37/1204;
A47J 45/061; A47J 45/071; A47J 45/08;
H05B 6/12

See application file for complete search history.

(56) **References Cited**

U.S. PATENT DOCUMENTS

216,346	A *	6/1879	Read	A47J 45/061 220/771
D85,804	S *	12/1931	Axford	D7/359
1,970,723	A *	8/1934	Wolfe	A47J 36/02 110/101 A
2,008,767	A *	7/1935	Munn	A47J 37/10 126/41 R
2,867,352	A *	1/1959	Kawano	A47J 37/101 126/299 C
D258,189	S *	2/1981	Miller	D7/360
D414,981	S *	10/1999	Roskind	D7/359
D455,315	S *	4/2002	Cheng	D7/354
D586,177	S *	2/2009	Loring	D7/361
D600,497	S *	9/2009	Ek	D7/361
D628,851	S *	12/2010	Bergne	D7/354
D656,358	S *	3/2012	Cloutier	D7/354
8,820,222	B2 *	9/2014	Cloutier	A47J 36/06 99/352

* cited by examiner

Primary Examiner — Ricky Pham

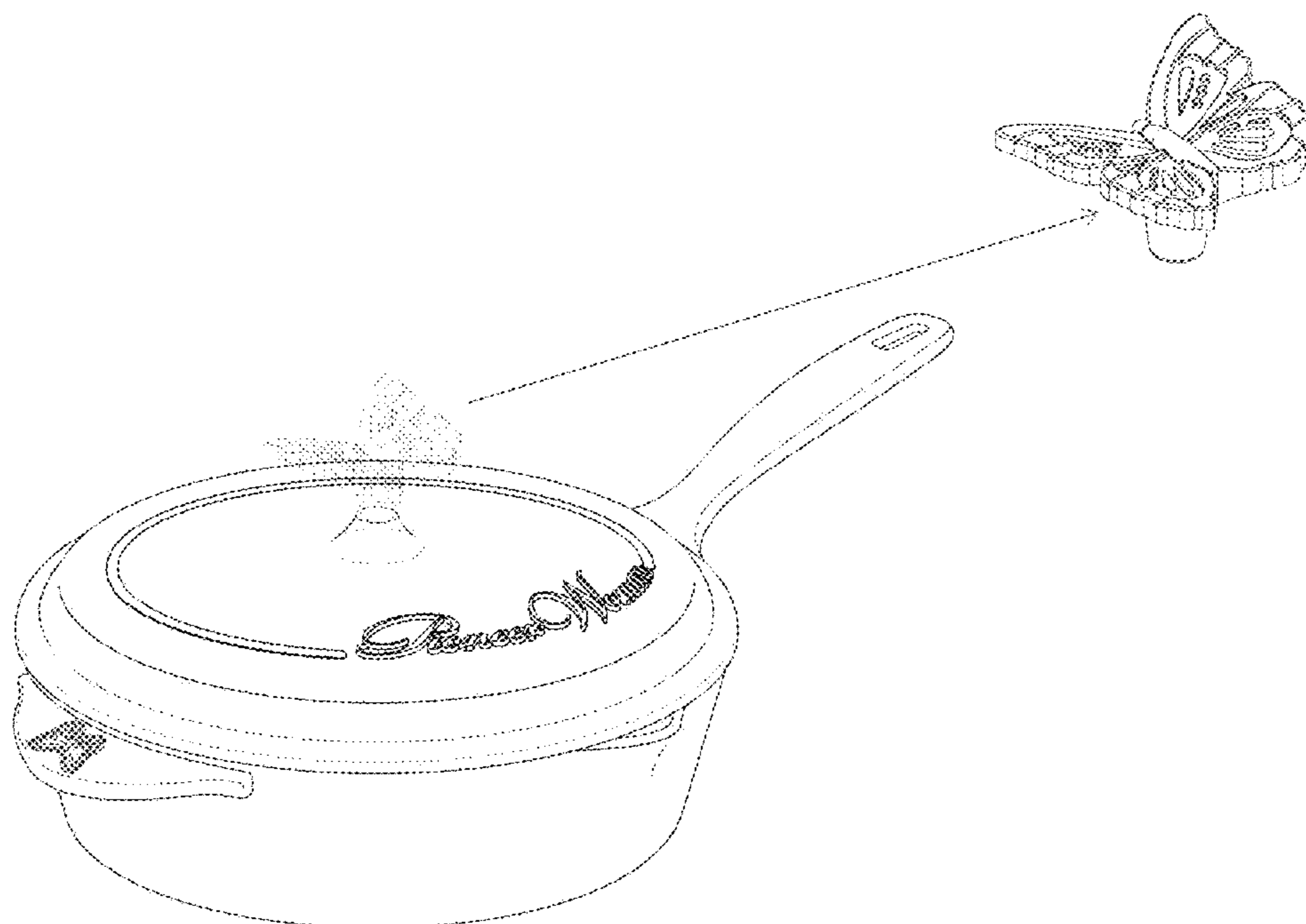
(57) **CLAIM**

The ornamental design for a pioneer woman butterfly handled braiser with lid, as shown and described.

DESCRIPTION

FIG. 1 is a perspective view of a pioneer woman butterfly handled braiser with lid showing my new design; FIG. 2 is the top plan view thereof; FIG. 3 is an enlarged front elevation view thereof; the rear view being a mirror image; FIG. 4 is an enlarged left side elevation view thereof; and, FIG. 5 is the bottom plan view thereof.

1 Claim, 5 Drawing Sheets



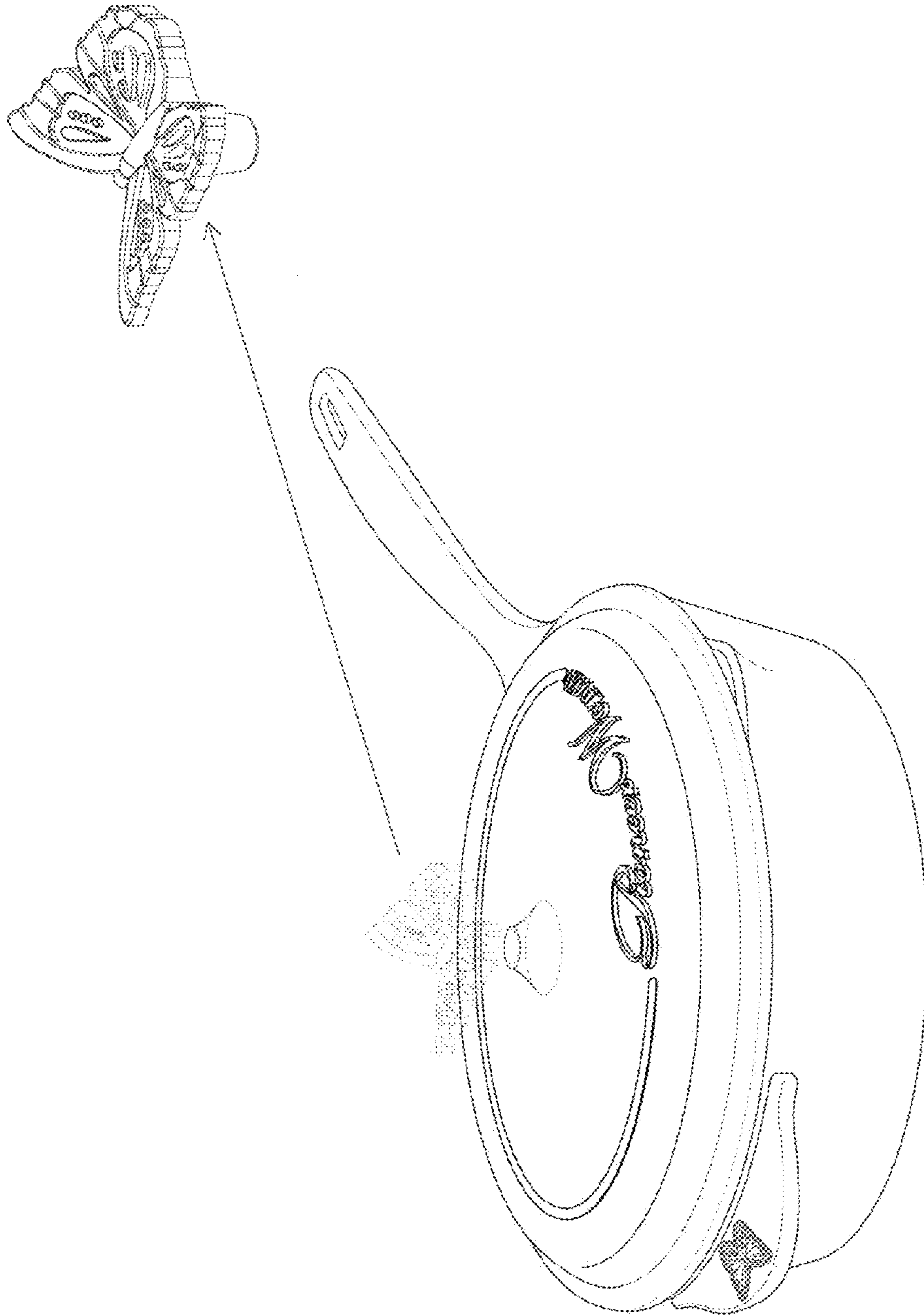


Figure 1

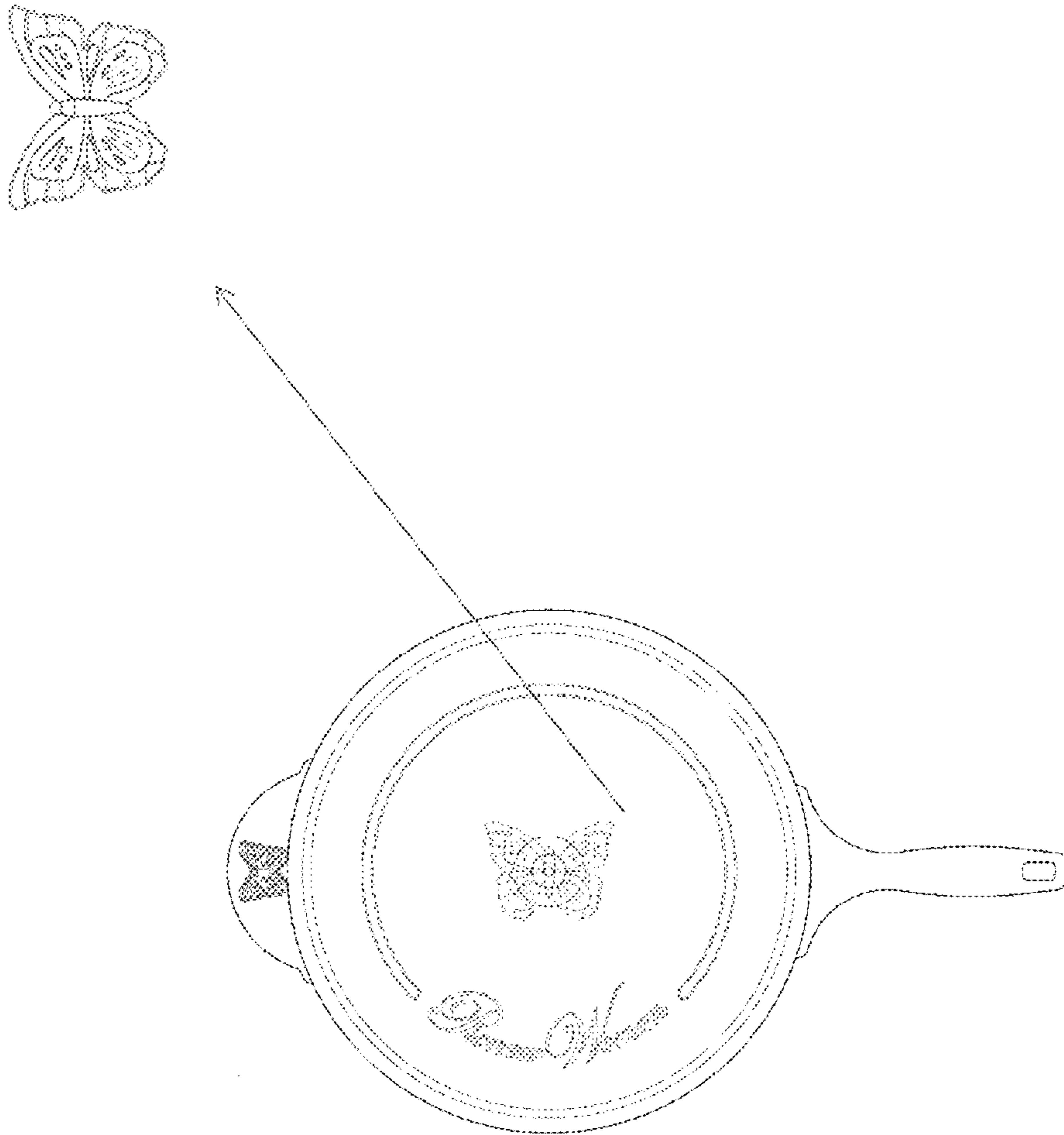


Figure 2

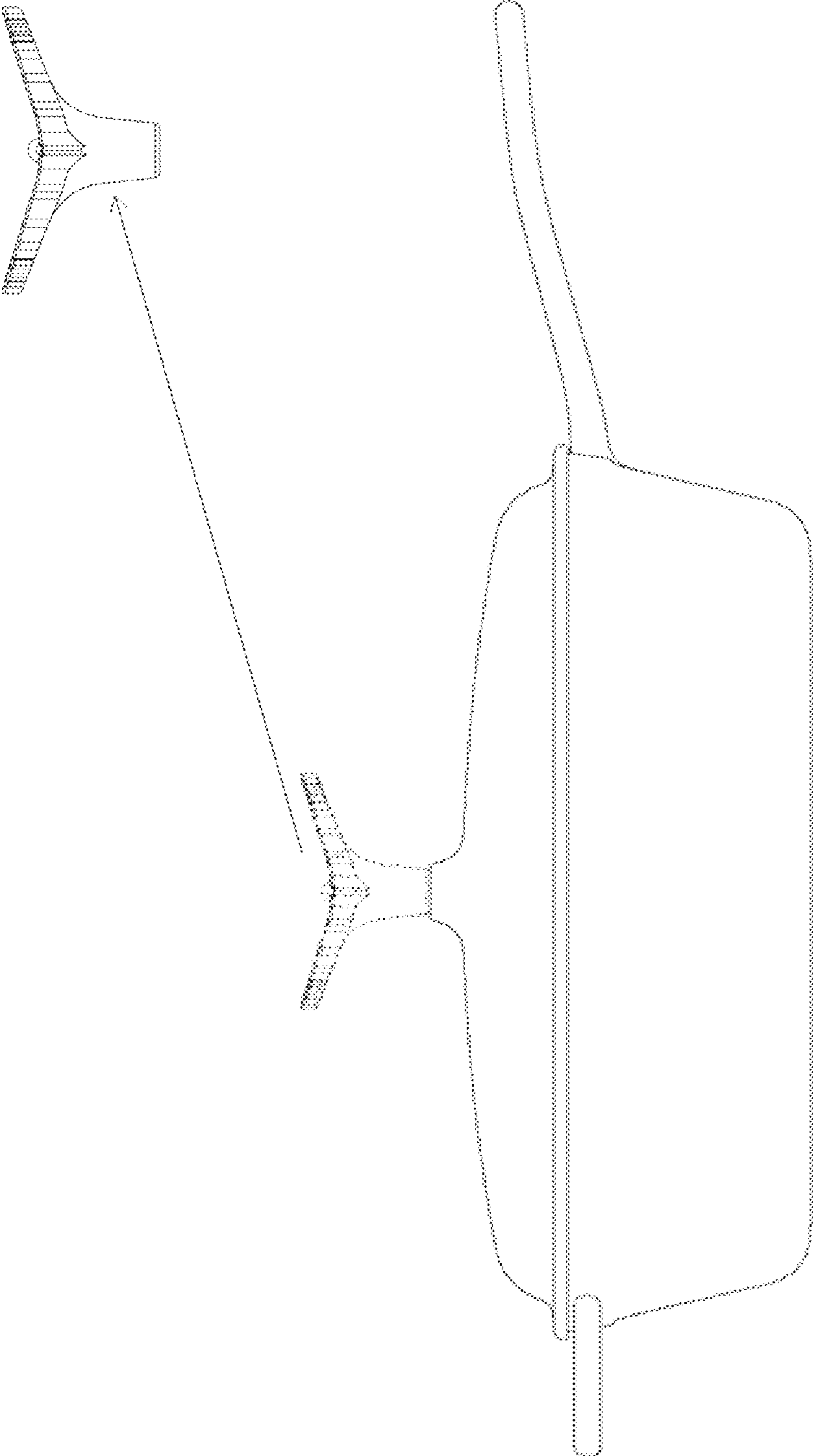


Figure 3

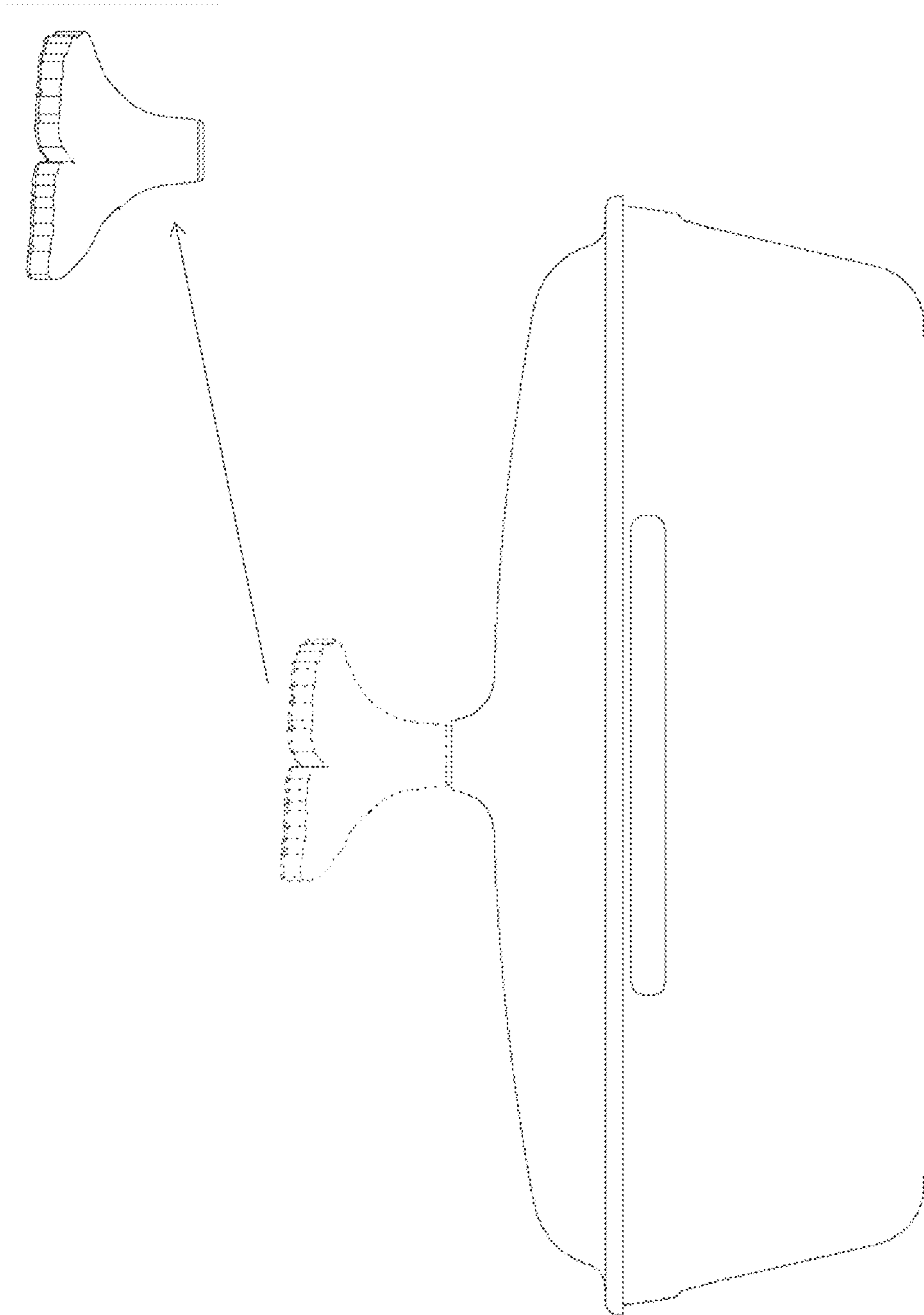


Figure 4

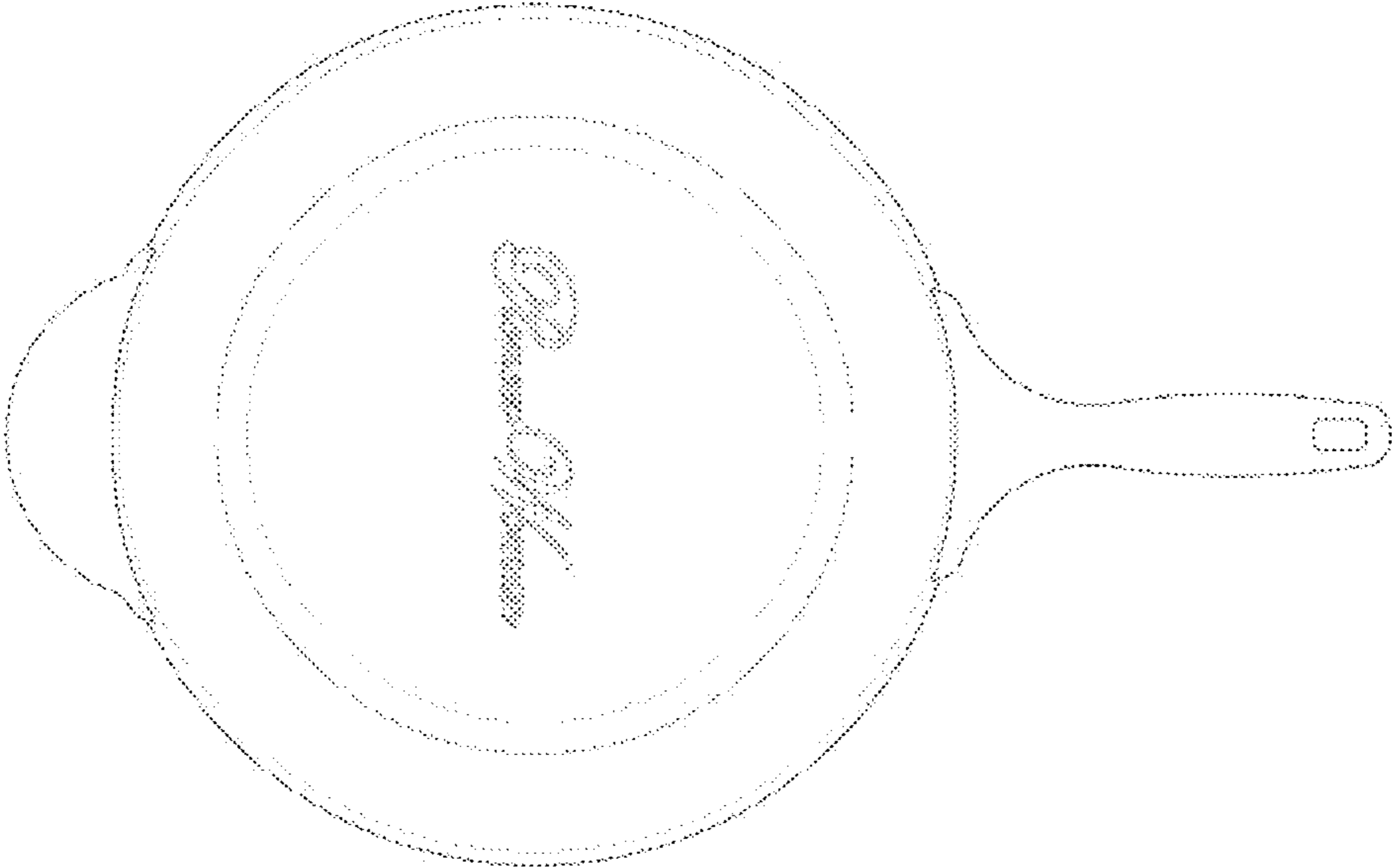


Figure 5