

US00D758122S

(12) **United States Design Patent**
Simpson

(10) **Patent No.:** **US D758,122 S**
(45) **Date of Patent:** **** Jun. 7, 2016**

- (54) **POPCORN LID**
- (71) Applicant: **Bric Simpson**, Eagle Mountain, UT (US)
- (72) Inventor: **Bric Simpson**, Eagle Mountain, UT (US)
- (**) Term: **14 Years**
- (21) Appl. No.: **29/520,771**
- (22) Filed: **Mar. 17, 2015**

3,794,090 A	2/1974	Commisso
3,981,401 A	9/1976	Blanchard
4,206,845 A	6/1980	Christian
4,360,119 A	11/1982	Olivo
4,413,748 A	11/1983	Kessler et al.
4,472,440 A	9/1984	Bank
D281,137 S	10/1985	Cesaroni
D384,554 S	10/1997	Ancona
D405,651 S	2/1999	Schmidt
6,397,782 B1	6/2002	Cope et al.
6,581,795 B1	6/2003	Schulein et al.
D479,952 S	9/2003	Zimmerman
D484,005 S	12/2003	Levien
D508,378 S	8/2005	Bertulis
D521,796 S	5/2006	Bertulis
D522,813 S *	6/2006	Swinford D7/610

Related U.S. Application Data

- (63) Continuation of application No. 13/972,406, filed on Aug. 21, 2013, now abandoned, which is a continuation-in-part of application No. 29/444,707, filed on Feb. 1, 2013, now Pat. No. Des. 725,957.
- (51) **LOC (10) Cl.** **31-00**
- (52) **U.S. Cl.**
USPC **D7/325; D7/391**
- (58) **Field of Classification Search**
USPC D7/323, 325, 337, 339, 346-347, 350.1, D7/350.4, 354, 356, 362, 391, 392.1, 538, D7/602, 610, 629
CPC A23L 1/01; A23L 1/0128; A23L 1/10; A23L 1/18; A23L 1/1802; A23L 1/1812; A23L 1/1815; A23L 1/1817; A23L 1/217; A23P 1/14; A23P 1/142; A23P 1/144; A23P 1/146; A23P 1/148; A47G 19/065; A47G 19/26; A47J 27/004; A47J 36/027; A47J 36/06; A47J 41/00; B65D 81/34; B65D 81/3407; B65D 81/3446; B65D 81/3453
See application file for complete search history.

(56) **References Cited**

U.S. PATENT DOCUMENTS

- 2,756,793 A 7/1956 Tupper
- 3,529,744 A 9/1970 Edwards et al.

(Continued)

OTHER PUBLICATIONS

Garret Ellison, "Plastic popcorn lid made in Grand Rapids shaking up theater concessions across the country", article Aug. 7, 2013, MLive, Michigan.

(Continued)

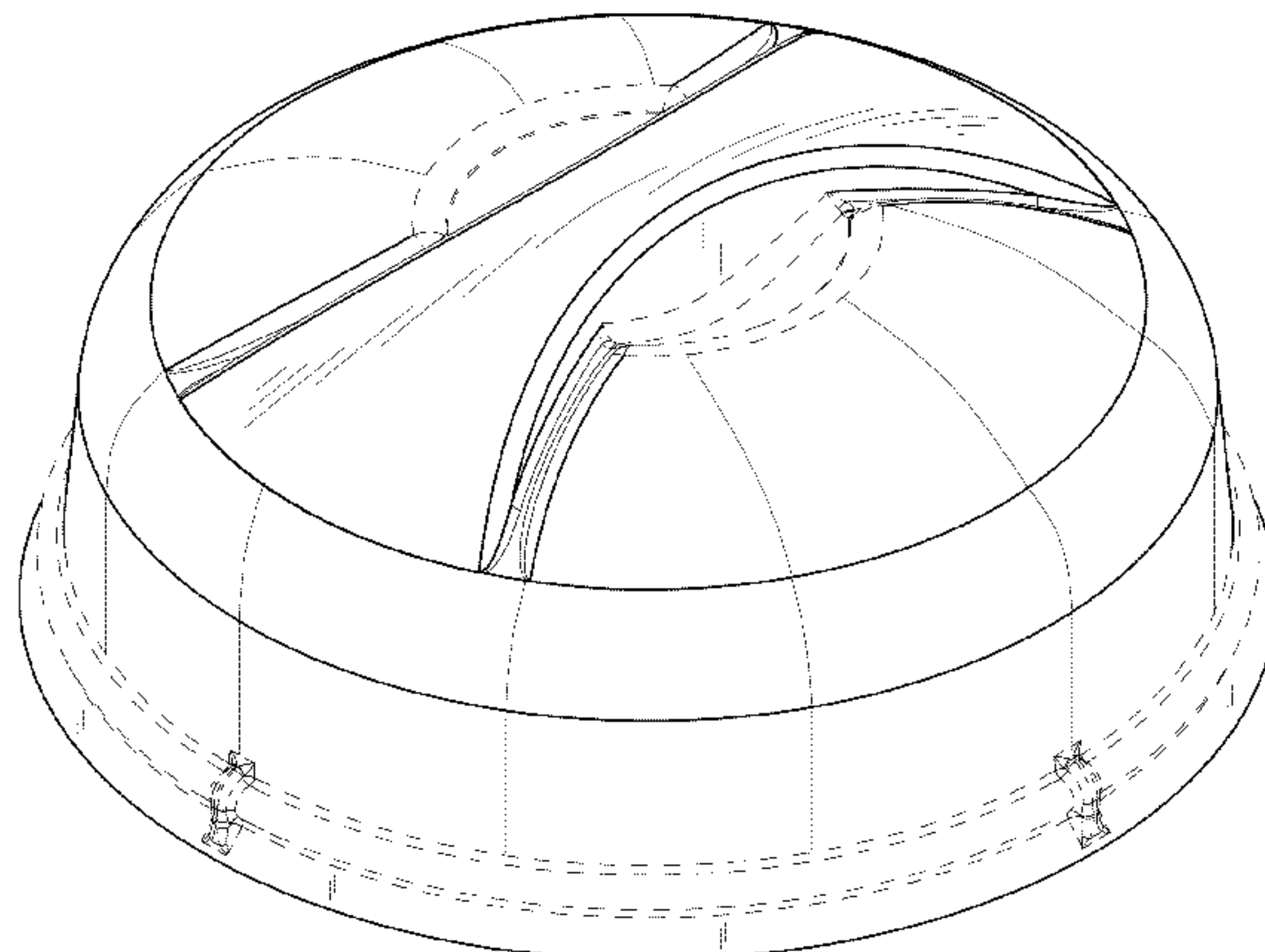
Primary Examiner — Ricky Pham
(74) *Attorney, Agent, or Firm* — Workman Nydegger

(57) **CLAIM**
An ornamental design for a popcorn lid, as shown and described.

DESCRIPTION

FIG. 1 is a facing perspective view of my design;
FIG. 2 is a top plan view thereof;
FIG. 3 is a bottom plan view thereof;
FIG. 4 is a front view thereof, the opposing back view being a mirror image; and,
FIG. 5 is a side view thereof, the opposing side view being a mirror image.
Objects shown in broken lines are shown for environmental purposes only and form no part of the claimed design.

1 Claim, 3 Drawing Sheets



(56)

References Cited

U.S. PATENT DOCUMENTS

D527,227 S 8/2006 Bertulis
 D578,336 S * 10/2008 Kim D7/354
 7,464,831 B2 12/2008 Aiken
 D588,866 S 3/2009 Ho
 7,614,518 B2 11/2009 Barber
 D609,979 S 2/2010 Soibel et al.
 D614,453 S 4/2010 Curtin et al.
 D615,797 S * 5/2010 Berge D7/325
 D626,790 S 11/2010 Gibson et al.
 D628,021 S 11/2010 Curtin
 D641,200 S * 7/2011 Lion D7/354
 D642,011 S 7/2011 Seager
 D658,012 S * 4/2012 Dagan D7/610
 D661,160 S * 6/2012 Shah D7/538
 D680,362 S 4/2013 Cursio et al.
 D682,610 S 5/2013 Carder et al.
 D682,611 S * 5/2013 Carder D7/392.1
 D701,422 S 3/2014 Tai
 8,844,764 B2 9/2014 Curtin et al.

8,857,209 B2 10/2014 Wang
 8,939,312 B1 * 1/2015 Buck A47G 19/065
 220/212
 D722,465 S * 2/2015 Berge D7/325
 D725,957 S * 4/2015 Simpson D7/325
 D725,958 S * 4/2015 Karako D7/354
 2005/0000847 A1 1/2005 McNeeley
 2011/0186585 A1 * 8/2011 Lu A47J 41/00
 220/575
 2011/0274804 A1 11/2011 Barrows et al.
 2012/0223087 A1 * 9/2012 Wang A47G 19/26
 220/592.2

OTHER PUBLICATIONS

Nordic Wear, Microwave Spatter Cover, Jan. 14, 2013.
 U.S. Appl. No. 13/972,406, filed Oct. 6, 2014, Non Final Office
 Action.
 U.S. Appl. No. 29/444,707, filed Jan. 9, 2015, Notice of Allowance.
 U.S. Appl. No. 29/444,707, filed Nov. 21, 2014, Notice of Allowance.

* cited by examiner

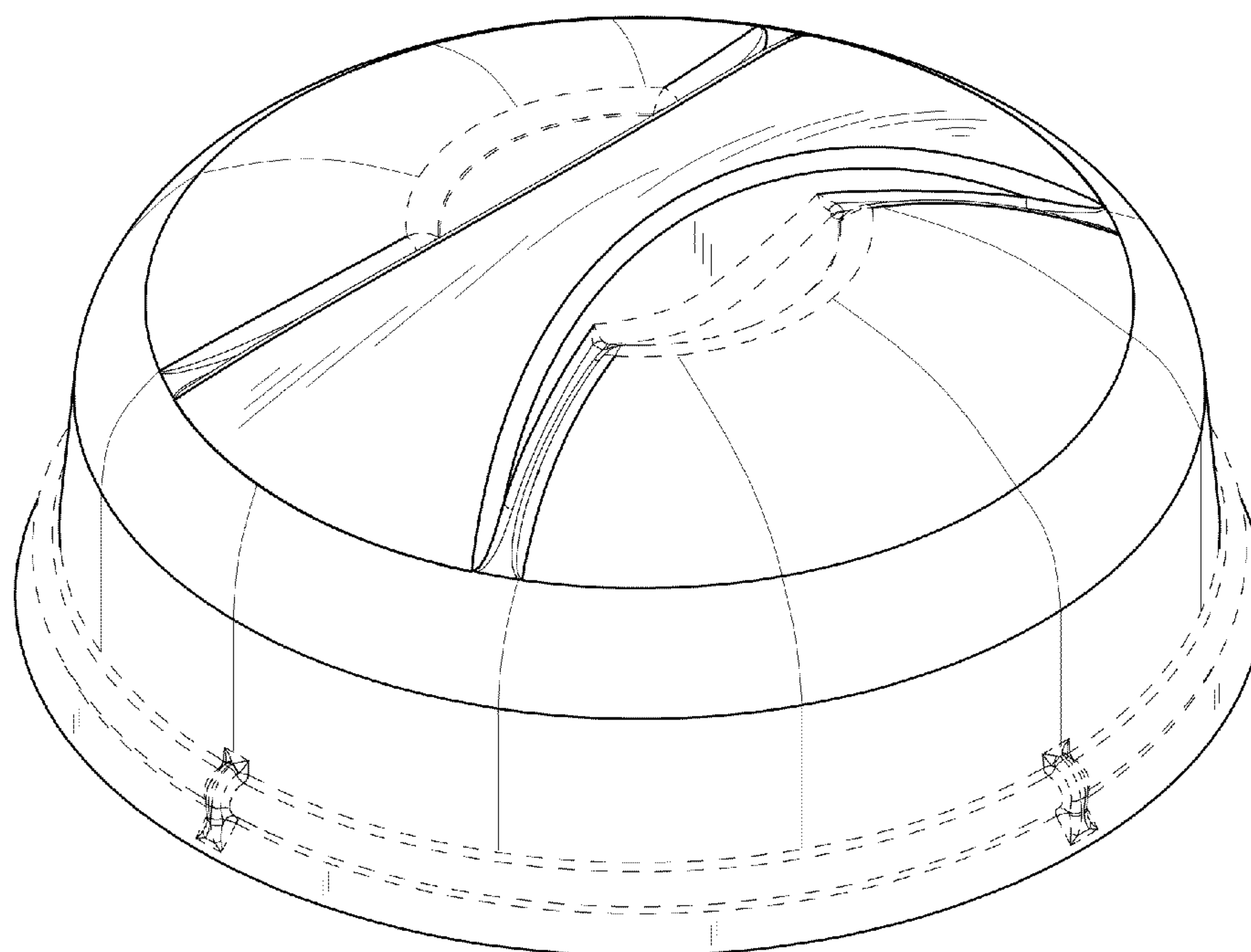


FIG. 1

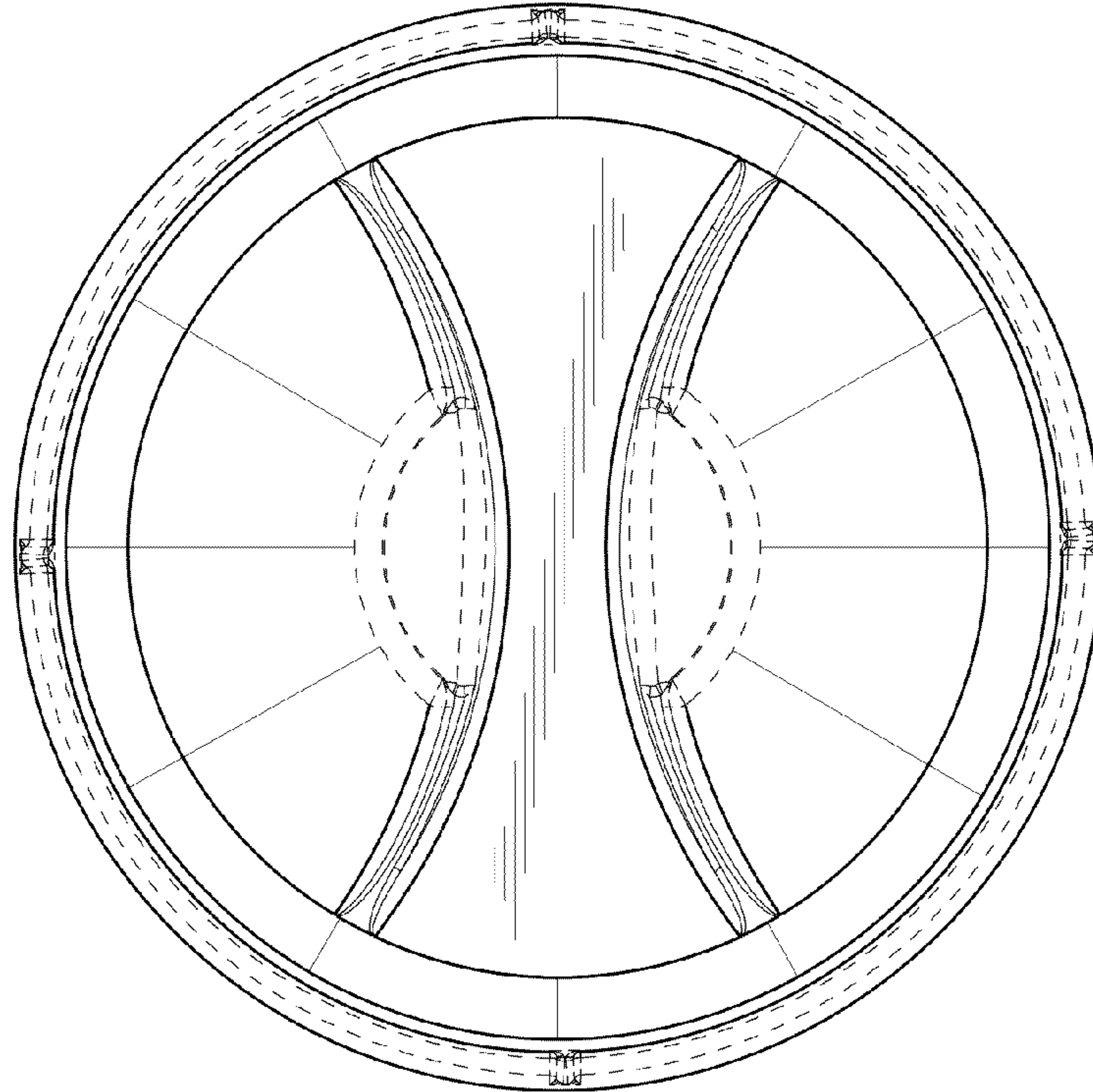


FIG. 2

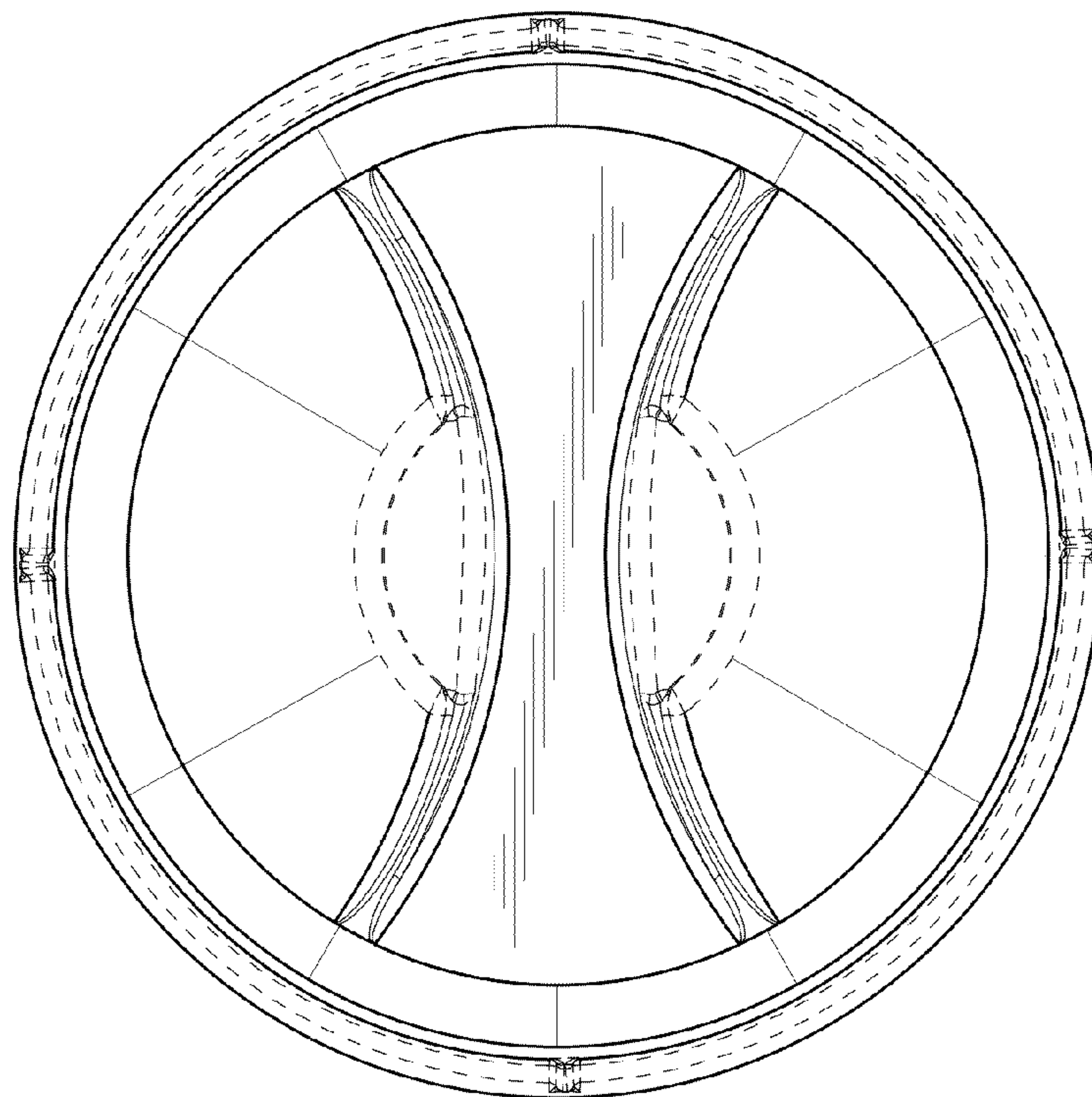


FIG. 3

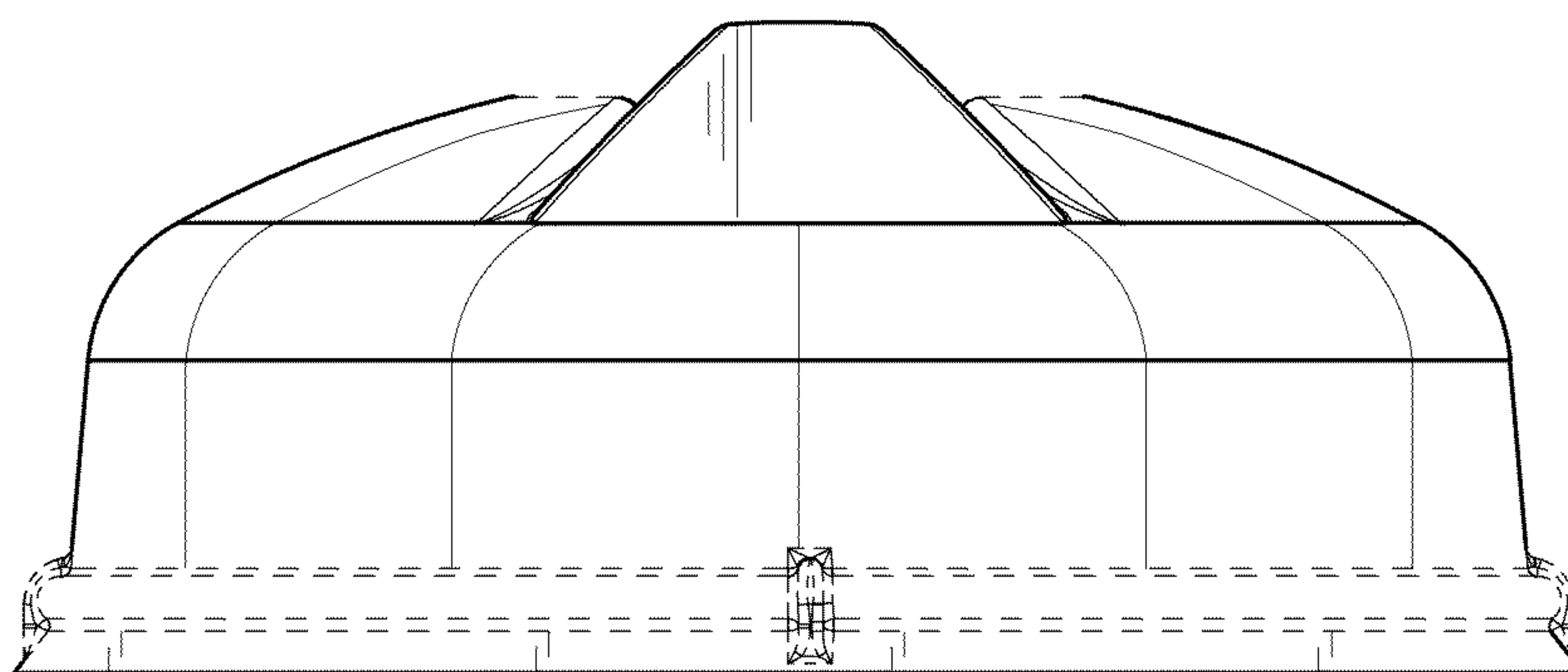


FIG. 4

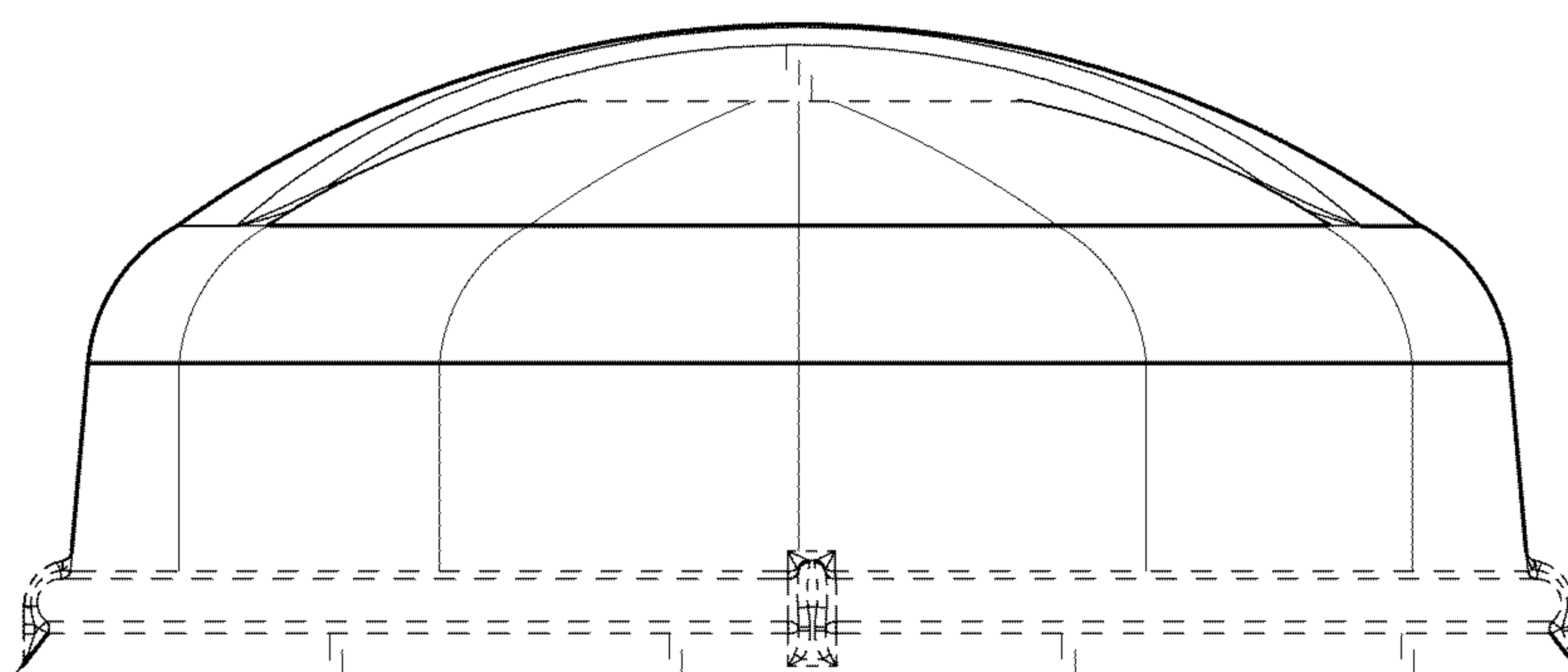


FIG. 5