



US00D758121S

(12) **United States Design Patent**
Shepherd

(10) **Patent No.:** **US D758,121 S**

(45) **Date of Patent:** **** Jun. 7, 2016**

(54) **INFUSER**

D594,268 S * 6/2009 Bodum D7/317
D598,235 S * 8/2009 Cozolino D7/317
D679,538 S * 4/2013 Melzer D7/319

(71) Applicant: **Chadwick Shepherd**, San Jose, CA
(US)

* cited by examiner

(72) Inventor: **Chadwick Shepherd**, San Jose, CA
(US)

Primary Examiner — Marianne Pandozzi
(74) *Attorney, Agent, or Firm* — Polsinelli PC

(**) Term: **14 Years**

(57) **CLAIM**

I claim the ornamental design for an infuser, as shown and described.

(21) Appl. No.: **29/507,971**

DESCRIPTION

(22) Filed: **Oct. 31, 2014**

(51) **LOC (10) Cl.** **07-01**

(52) **U.S. Cl.**
USPC **D7/318**; D7/317

(58) **Field of Classification Search**
USPC D7/400, 399, 667, 647, 300.2, 401, 213,
D7/700, 317-319, 322, 321; 99/323, 319;
D23/209
CPC A47J 31/00; A47J 31/005; A47G 19/14;
B65D 85/808

FIG. 1 is a perspective view of an infuser, the filter in an unsubmerged position;
FIG. 2 is a left side elevational view thereof;
FIG. 3 is a right side elevational view thereof;
FIG. 4 is a front elevational view thereof;
FIG. 5 is a rear elevational view thereof;
FIG. 6 is a top plan view thereof;
FIG. 7 is a bottom plan view thereof;
FIG. 8 is a perspective view thereof with the filter in a submerged position;
FIG. 9 is a perspective view of an Infuser showing a second embodiment of my new design;
FIG. 10 is a left side elevational view thereof;
FIG. 11 is a right side elevational view thereof;
FIG. 12 is a front elevational view thereof;
FIG. 13 is a rear elevational view thereof;
FIG. 14 is a top plan view thereof;
FIG. 15 is a bottom plan view thereof; and,
FIG. 16 is a perspective view thereof with the filter in a submerged position.

See application file for complete search history.

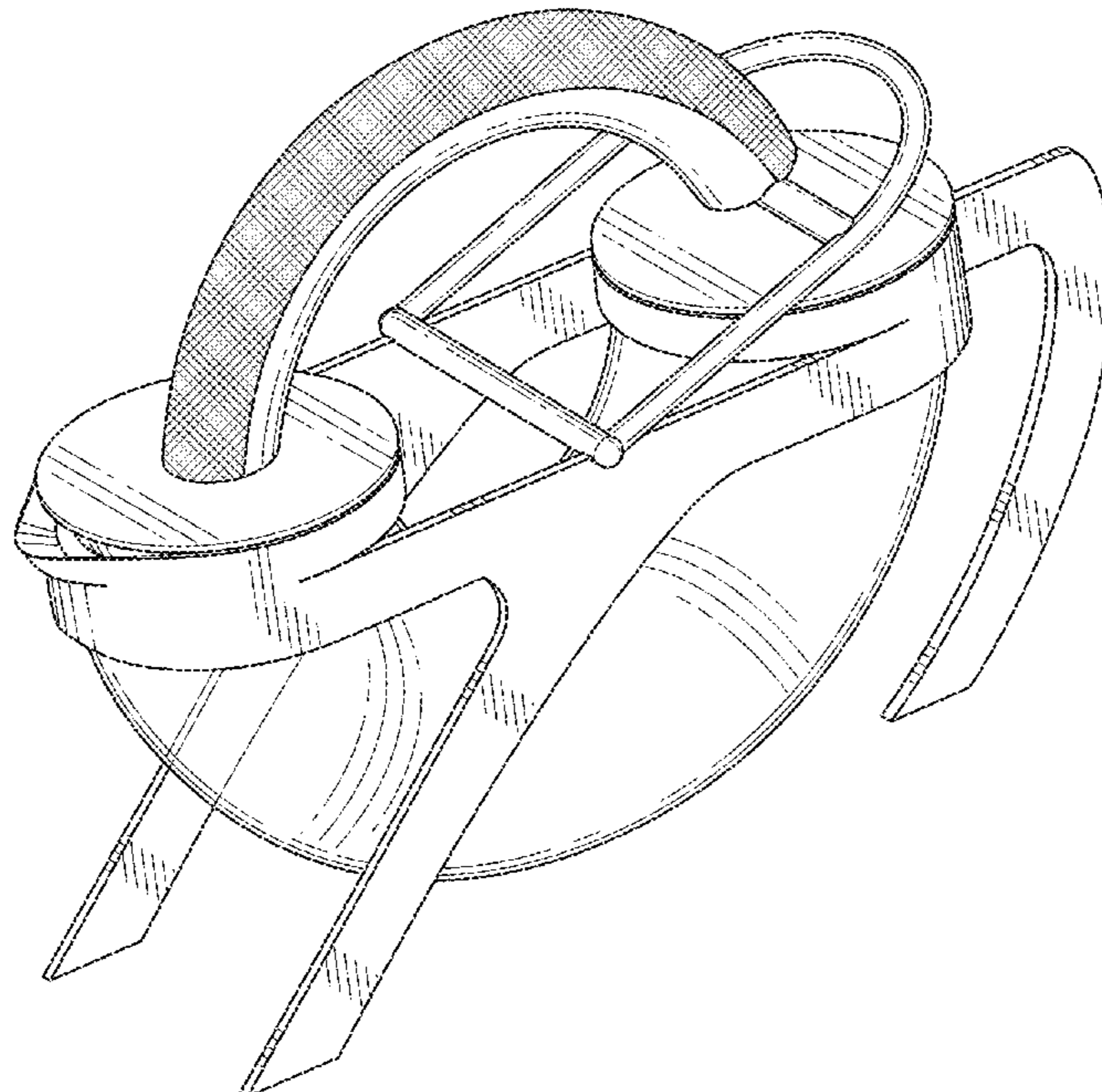
The broken lines are for illustrating unclaimed portions of the infuser; the broken lines form no part of the claimed design.

(56) **References Cited**

U.S. PATENT DOCUMENTS

D266,450 S * 10/1982 Swett D23/212
4,385,585 A * 5/1983 Lebowitz A47J 27/21
116/67 R
D302,511 S * 8/1989 Porcelli D7/317
D307,229 S * 4/1990 Grozman D7/305
5,607,092 A * 3/1997 Alexander A45C 13/30
224/258
5,678,472 A * 10/1997 Millman A47G 19/14
99/279
6,655,261 B1 * 12/2003 Horstmann A47G 19/14
210/238

1 Claim, 16 Drawing Sheets



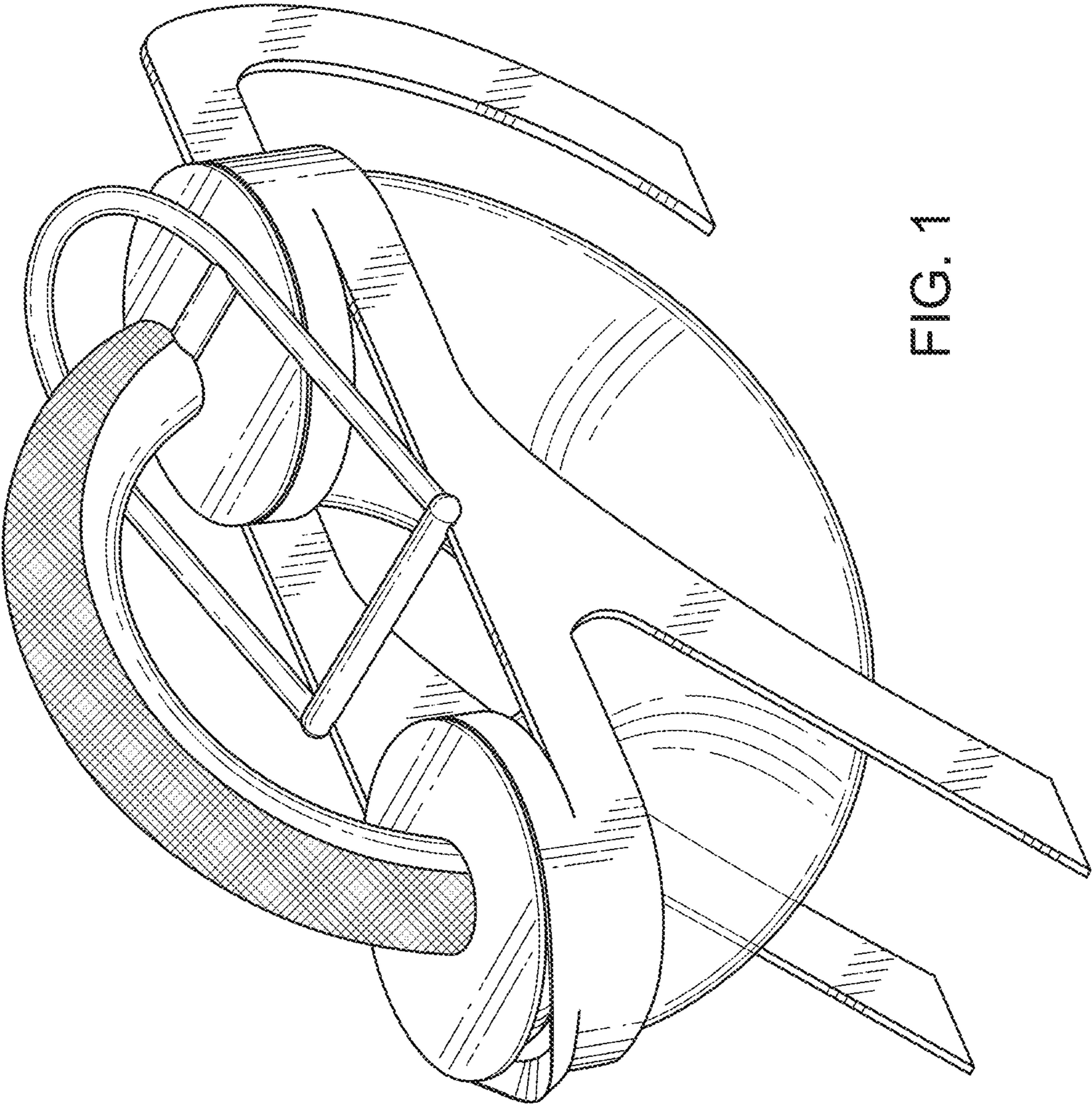


FIG. 1

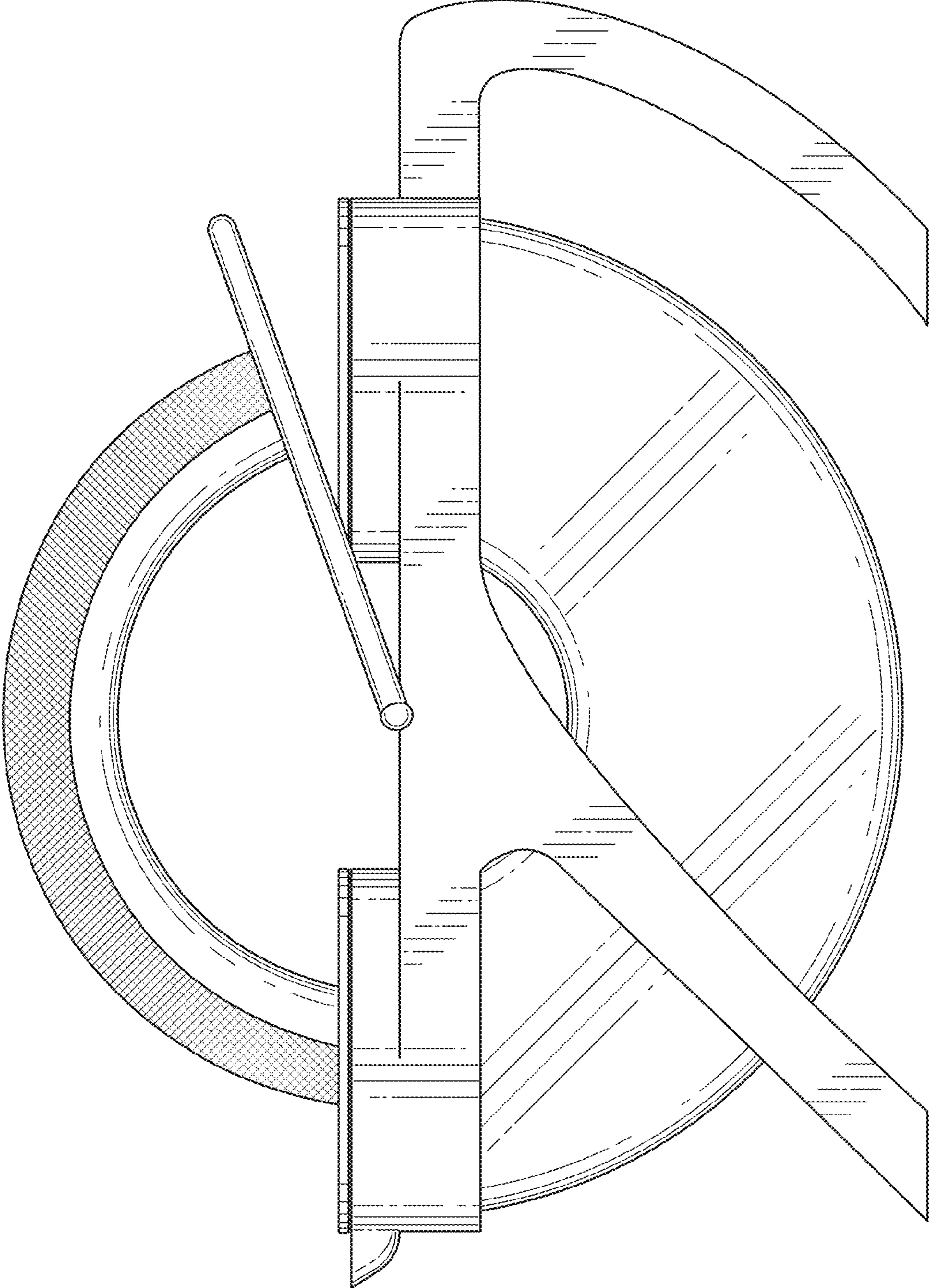


FIG. 2

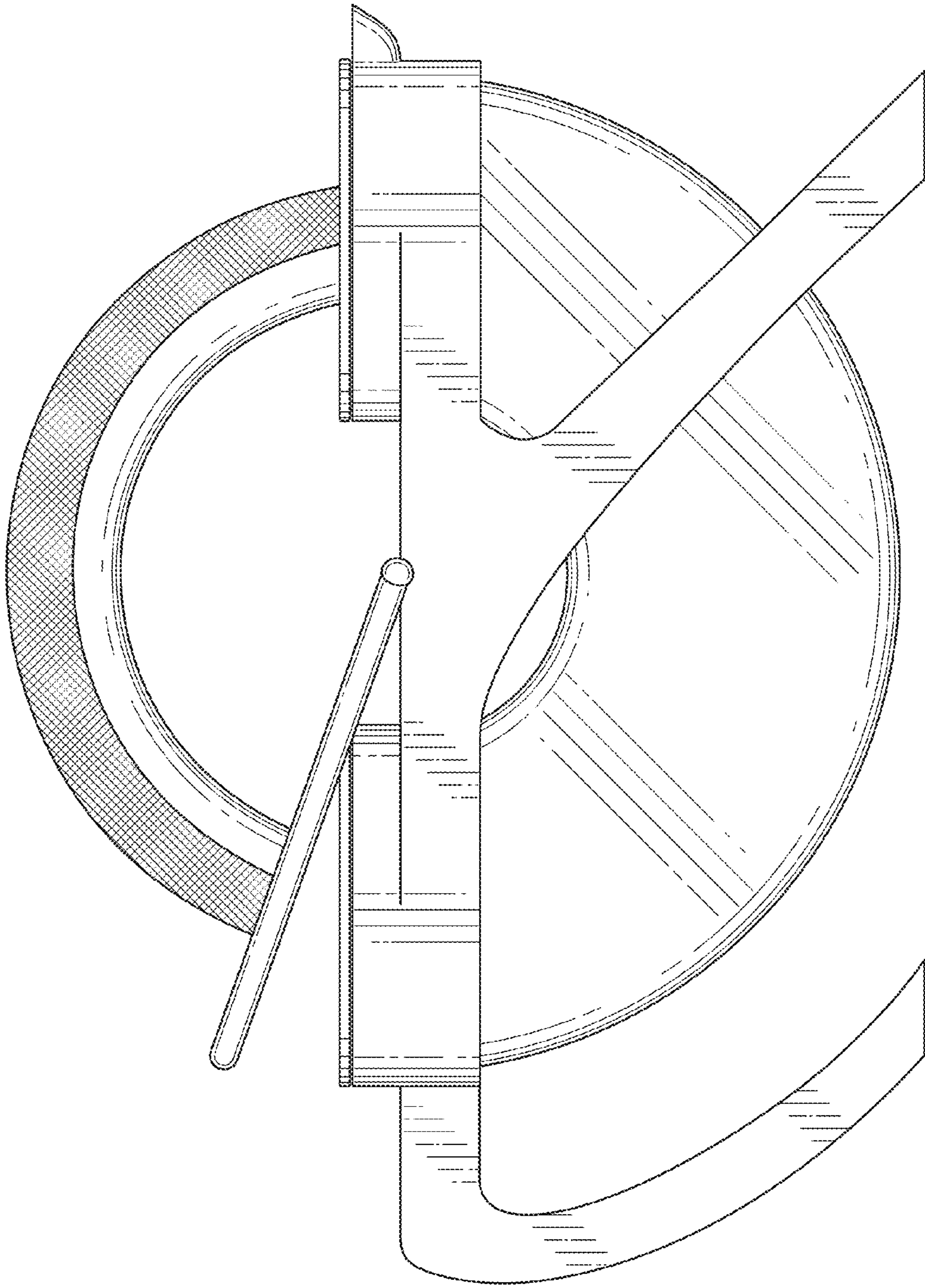


FIG. 3

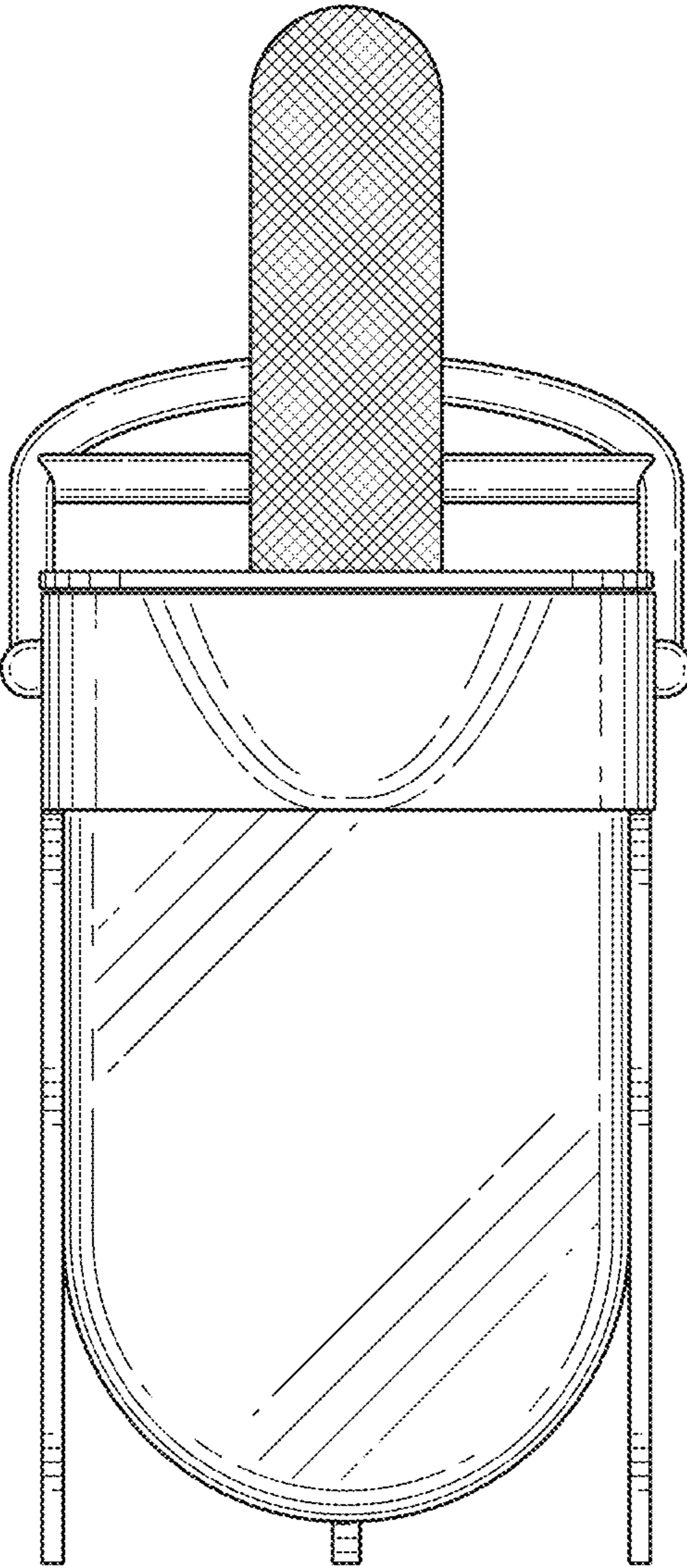


FIG. 4

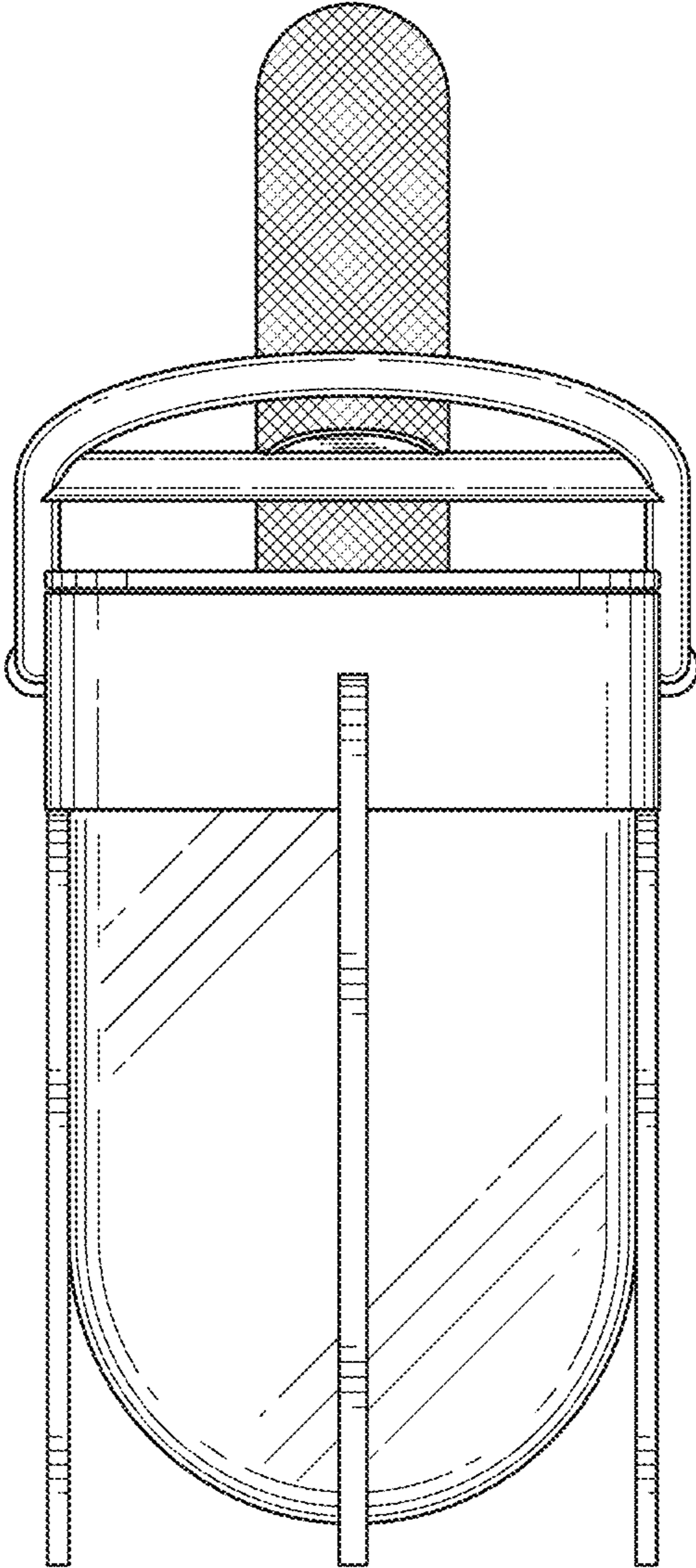


FIG. 5

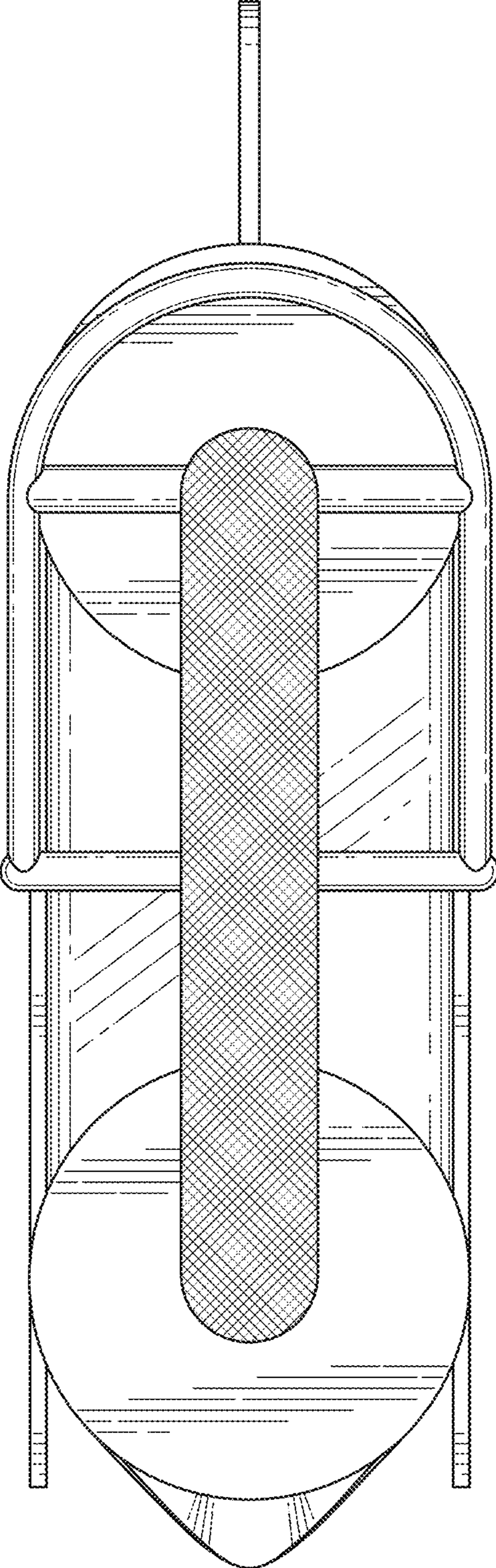


FIG. 6

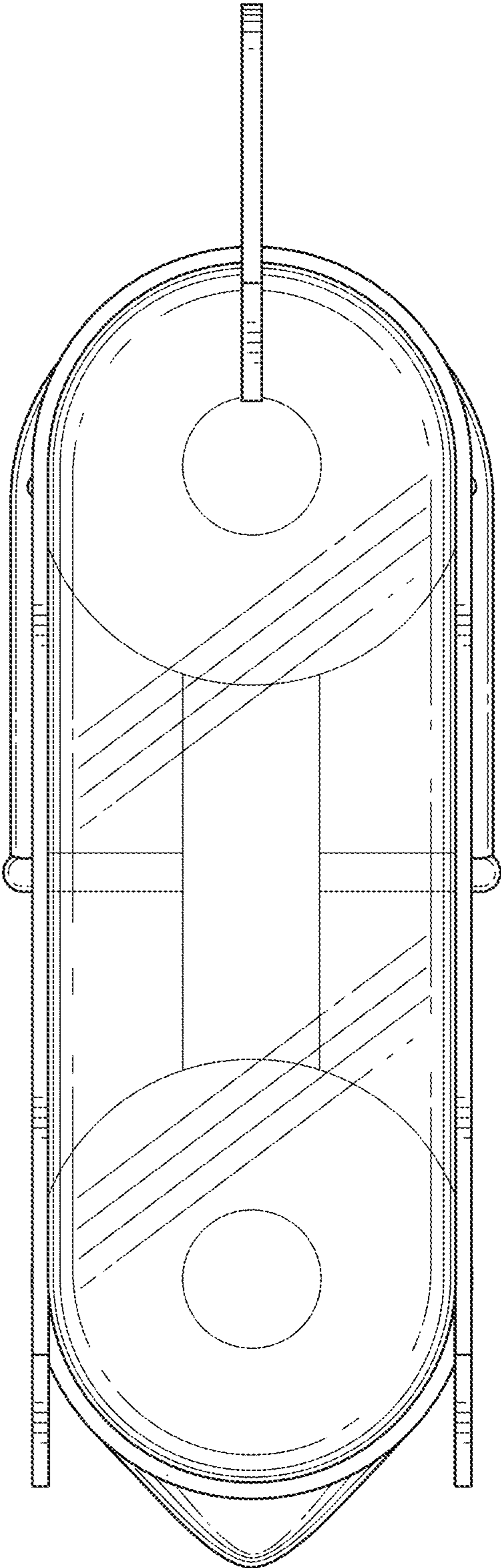


FIG. 7

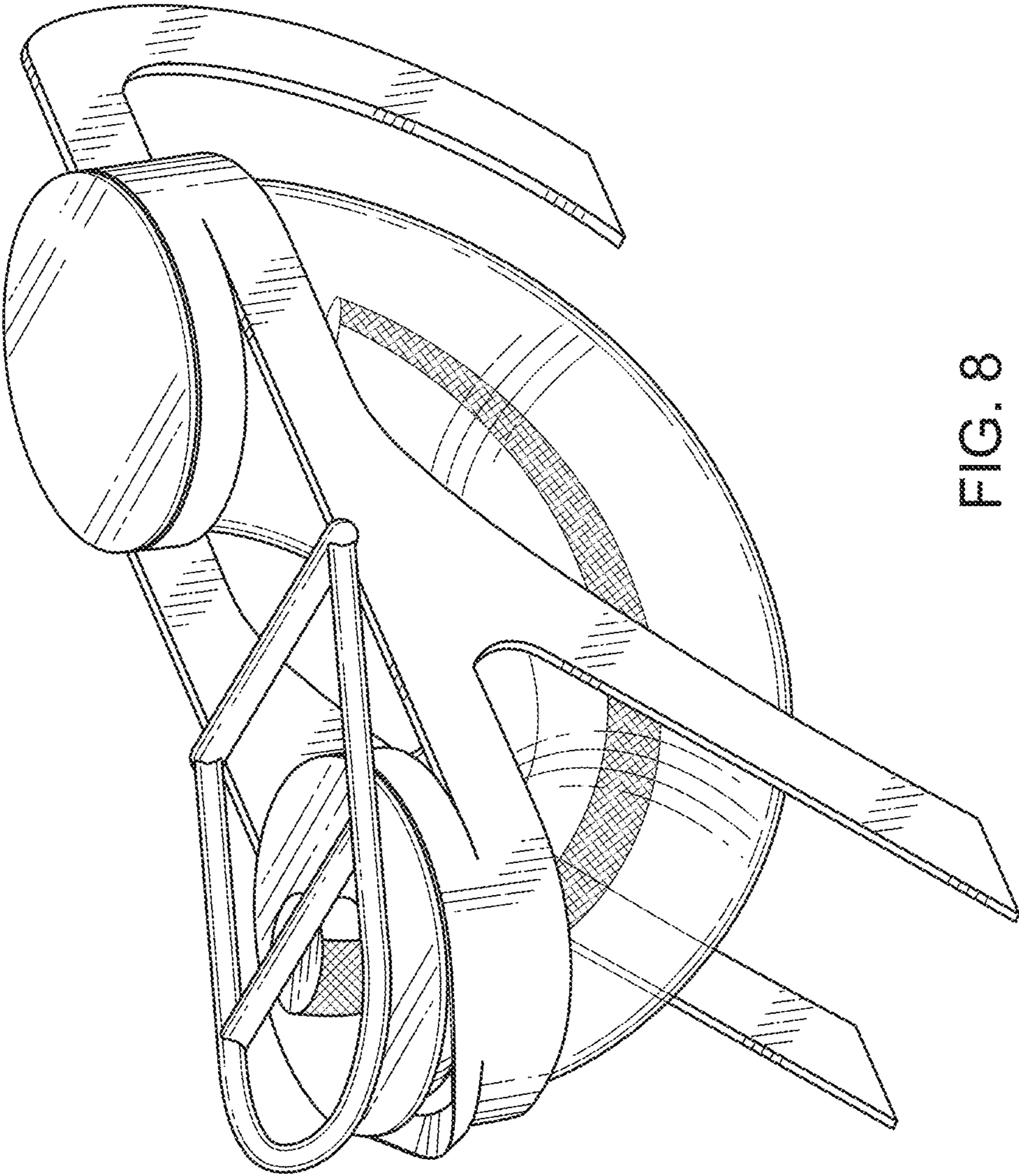


FIG. 8

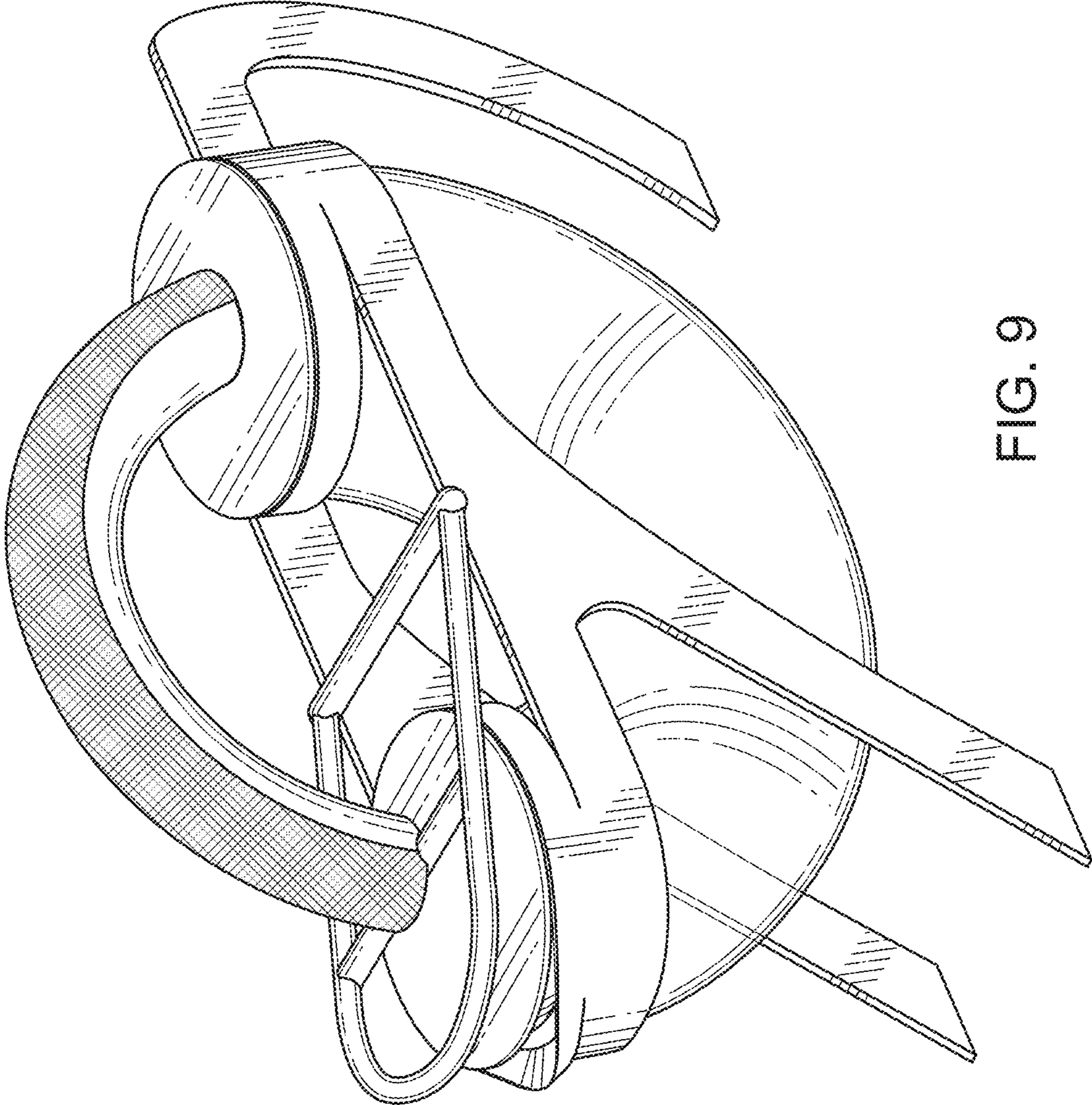


FIG. 9

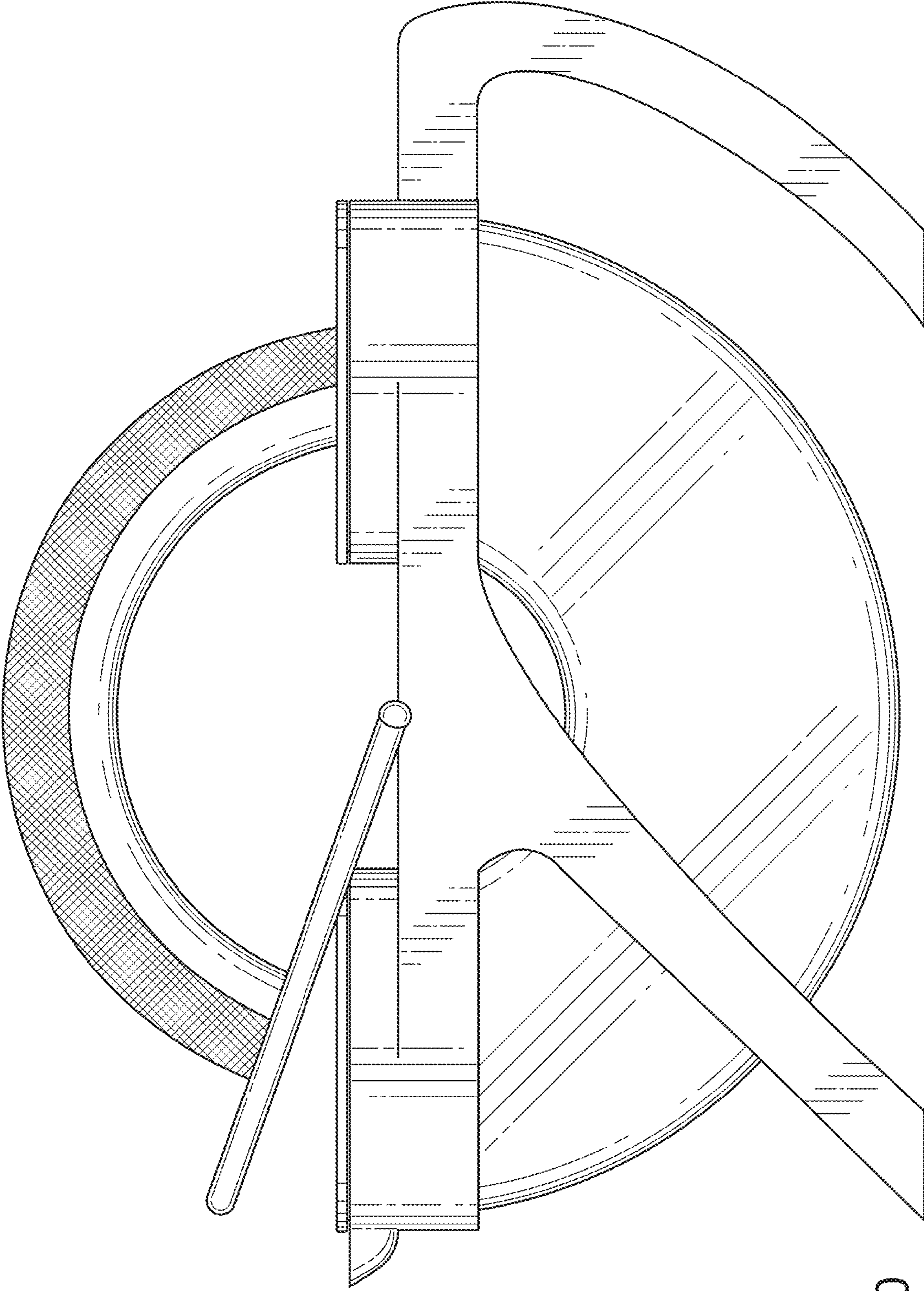


FIG. 10

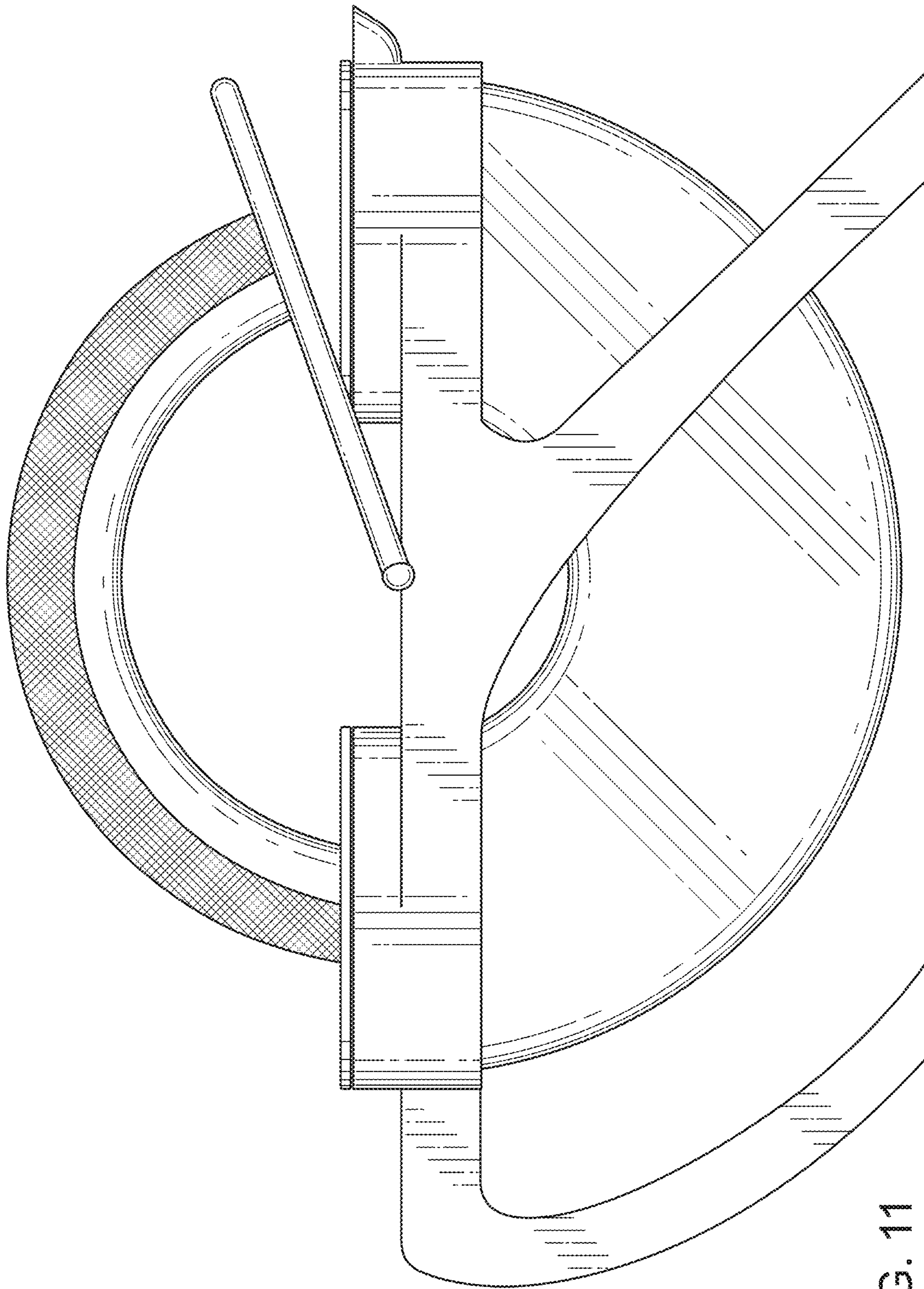


FIG. 11

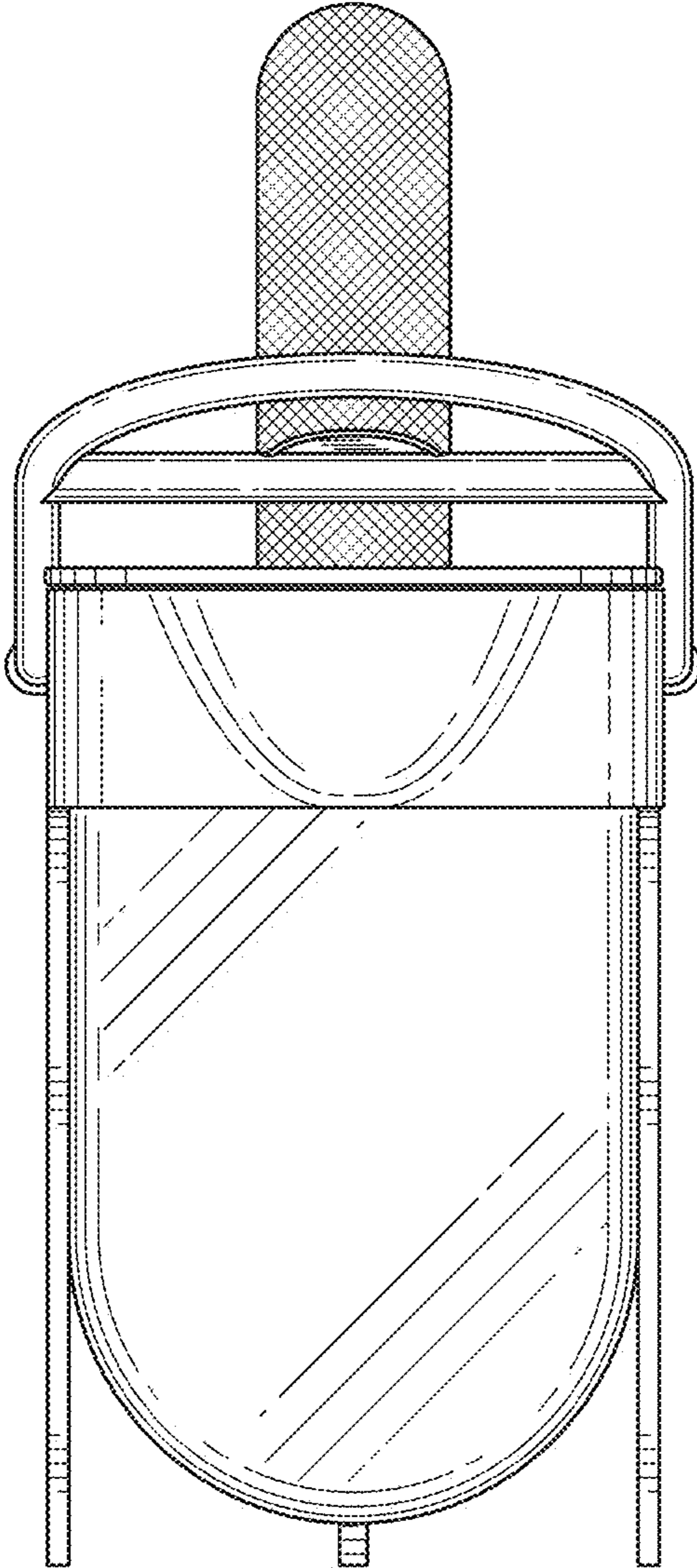


FIG. 12

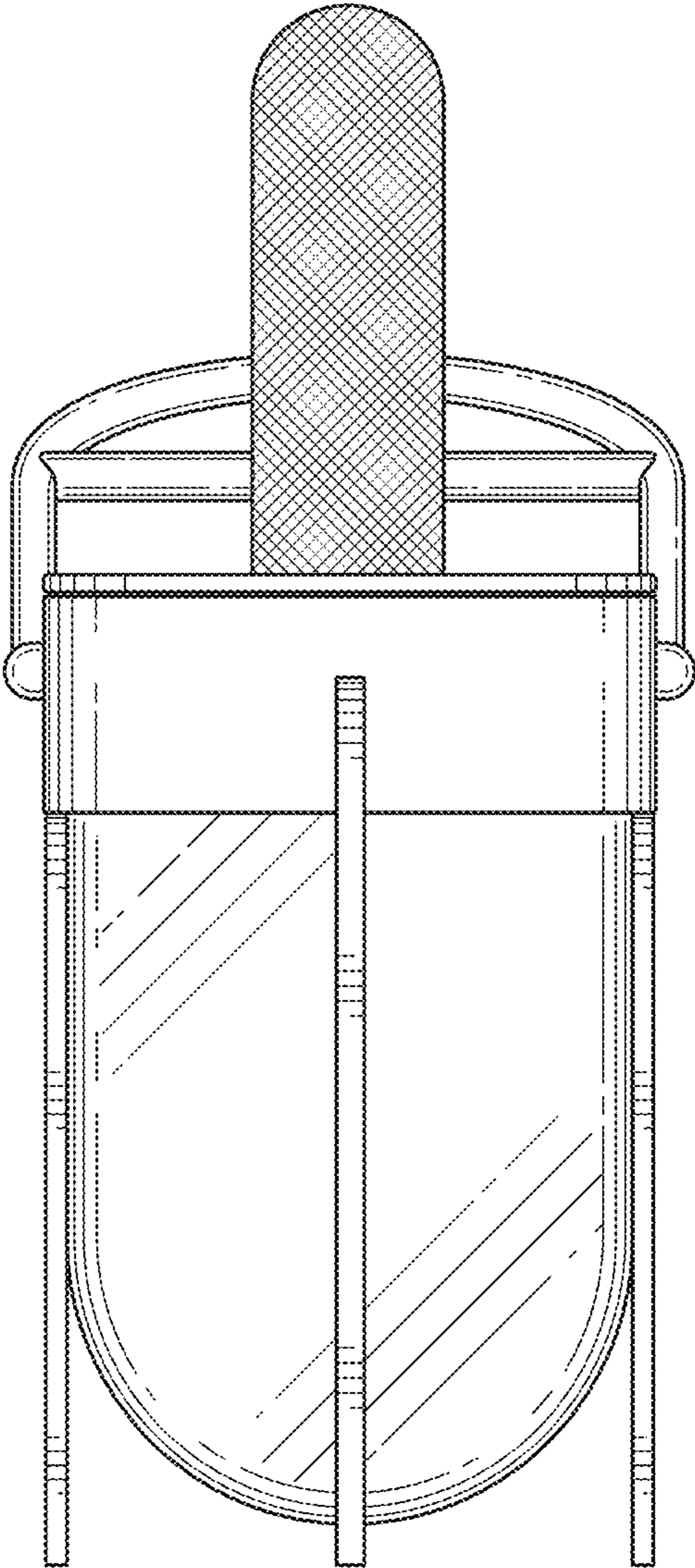


FIG. 13

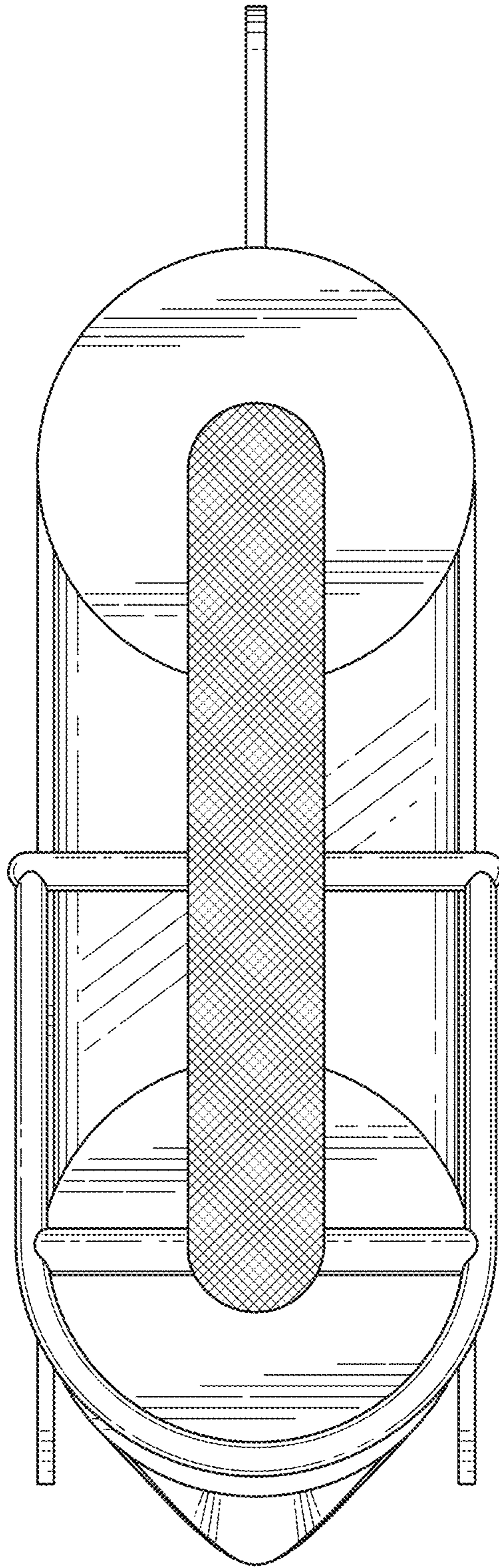


FIG. 14

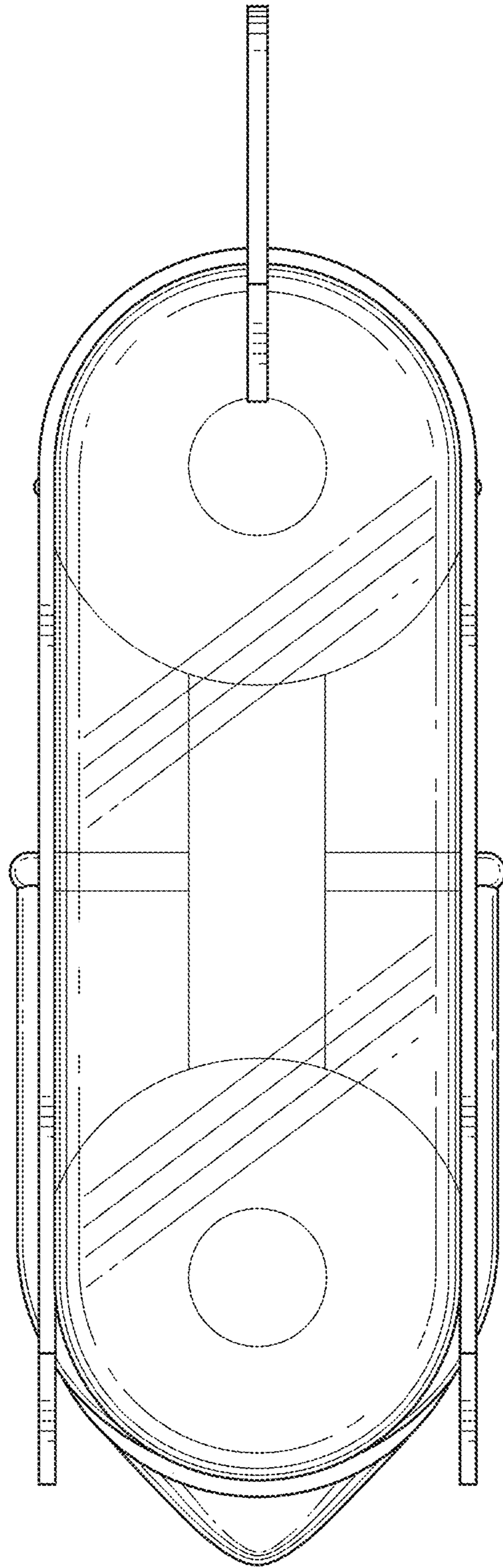


FIG. 15

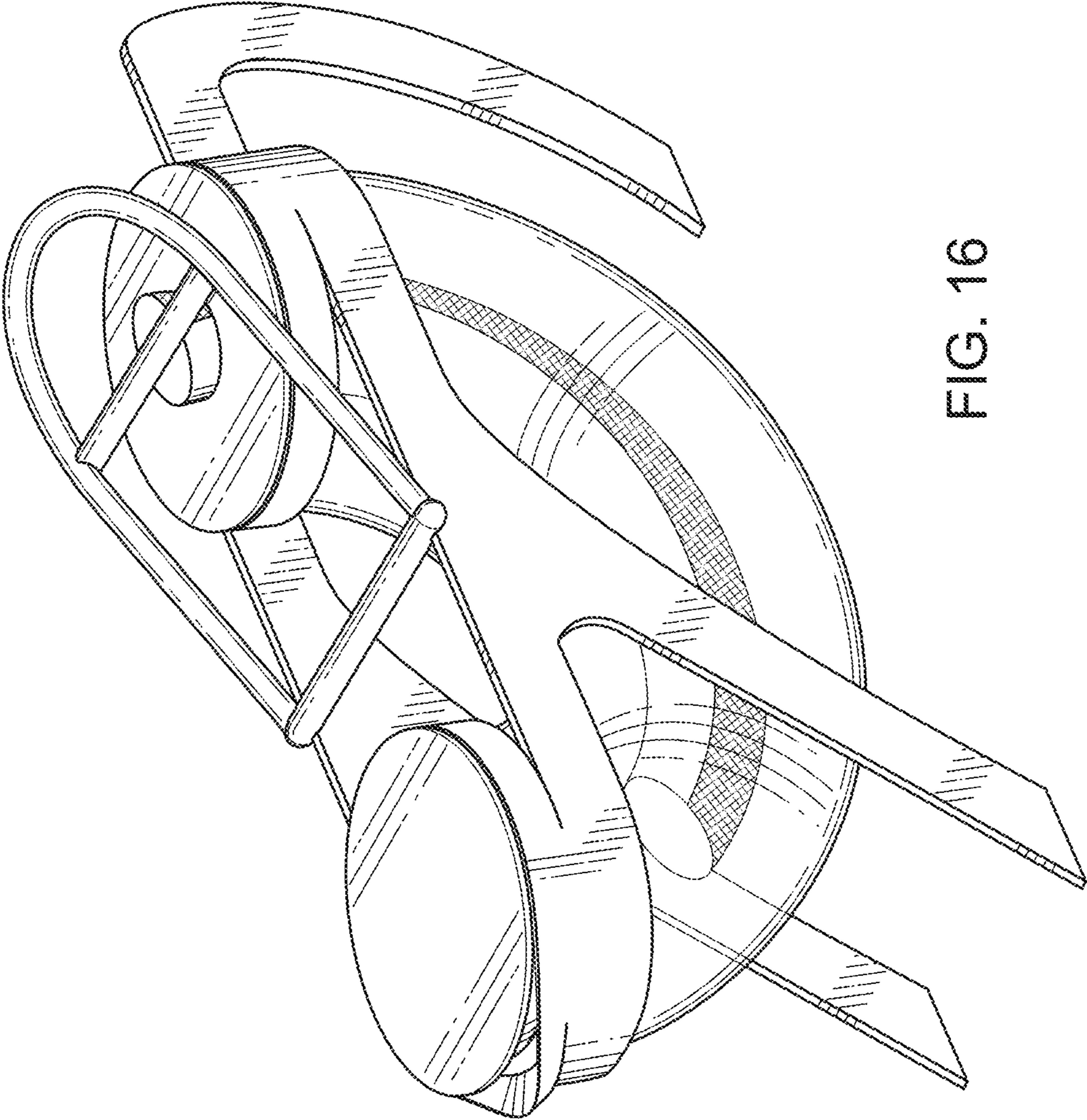


FIG. 16