

US00D758118S

(12) **United States Design Patent**
Palermo et al.

(10) **Patent No.:** **US D758,118 S**
(45) **Date of Patent:** **** Jun. 7, 2016**

- (54) **HOT BEVERAGE MAKER**
- (71) Applicant: **Sunbeam Products, Inc.**, Boca Raton, FL (US)
- (72) Inventors: **Joseph Palermo**, Boynton Beach, FL (US); **Michel Alvarez**, Miami Beach, FL (US)
- (73) Assignee: **Sunbeam Products, Inc.**, Boca Raton, FL (US)
- (**) Term: **14 Years**
- (21) Appl. No.: **29/511,424**
- (22) Filed: **Dec. 10, 2014**
- (51) **LOC (10) Cl.** **07-01**
- (52) **U.S. Cl.**
USPC **D7/306**; D7/311; D7/309; D7/310
- (58) **Field of Classification Search**
USPC D7/306-311, 305, 300, 397, 398, 399, D7/400; 99/279, 284, 290, 280, 299, 307, 99/297, 295, 323, 275, 281, 300, 302 R; 426/433; D20/4, 5, 1
CPC A47J 31/44; A47J 31/00; A47J 31/46; A47J 31/10; A47J 31/56; A47J 31/42; A47J 431/4482; A47J 27/2105; A47J 31/4403; A47J 31/32; A47J 31/4457; B65D 81/3266
See application file for complete search history.

D571,598 S *	6/2008	Moore	D7/306
D602,729 S *	10/2009	Dahlstrom	D7/309
7,677,157 B2 *	3/2010	Steiner	A47J 31/4457 99/285
D625,542 S *	10/2010	Picozza	D7/309
D627,188 S *	11/2010	Picozza	D7/306
D649,826 S *	12/2011	Garman	D7/306
D666,864 S *	9/2012	Dahlstrom	D7/309
D675,471 S *	2/2013	Averty	D7/309
D681,386 S *	5/2013	Pininfarina	D7/306
D718,973 S *	12/2014	Picozza	D7/306
D719,776 S *	12/2014	Kunz	D7/309
D735,527 S *	8/2015	Palermo	D7/309
D744,774 S *	12/2015	Bock	D7/306

* cited by examiner

Primary Examiner — Marianne Pandozzi
(74) *Attorney, Agent, or Firm* — Michael J. Corrigan

(57) **CLAIM**
The ornamental design for the hot beverage maker, as shown and described.

DESCRIPTION

FIG. 1 is a front perspective view of a hot beverage maker showing my new design;
FIG. 2 is a front view thereof;
FIG. 3 is a rear view thereof;
FIG. 4 is a right side view thereof;
FIG. 5 is a left side view thereof; and,
FIG. 6 is a top plan view thereof.
The broken lines depict portion of the hot beverage maker that form no part of the claimed design.

- (56) **References Cited**
U.S. PATENT DOCUMENTS
D495,190 S * 8/2004 Picozza D7/309
D546,112 S * 7/2007 Rorke D7/309

1 Claim, 3 Drawing Sheets

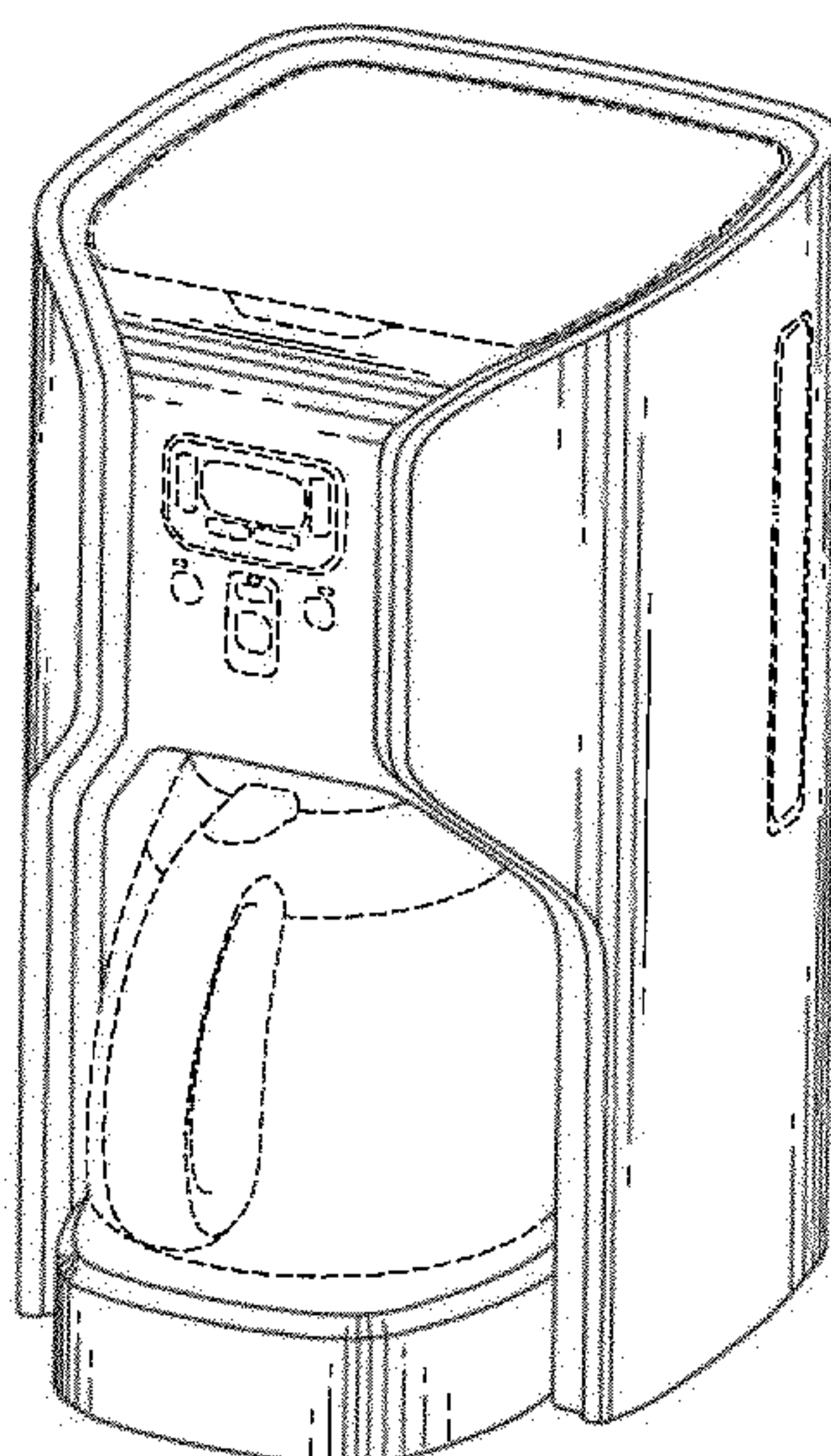


FIG. 1

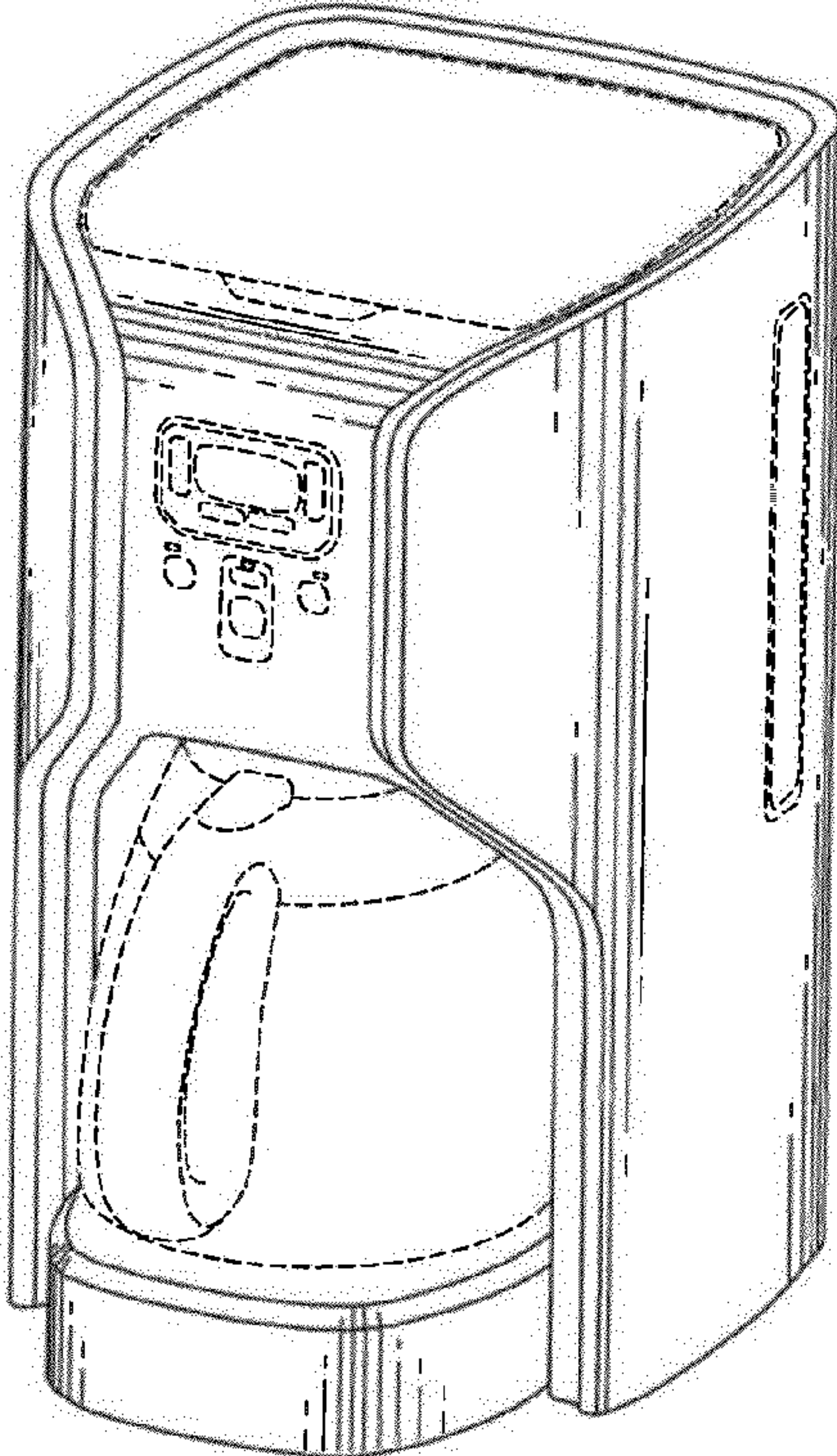


FIG. 6

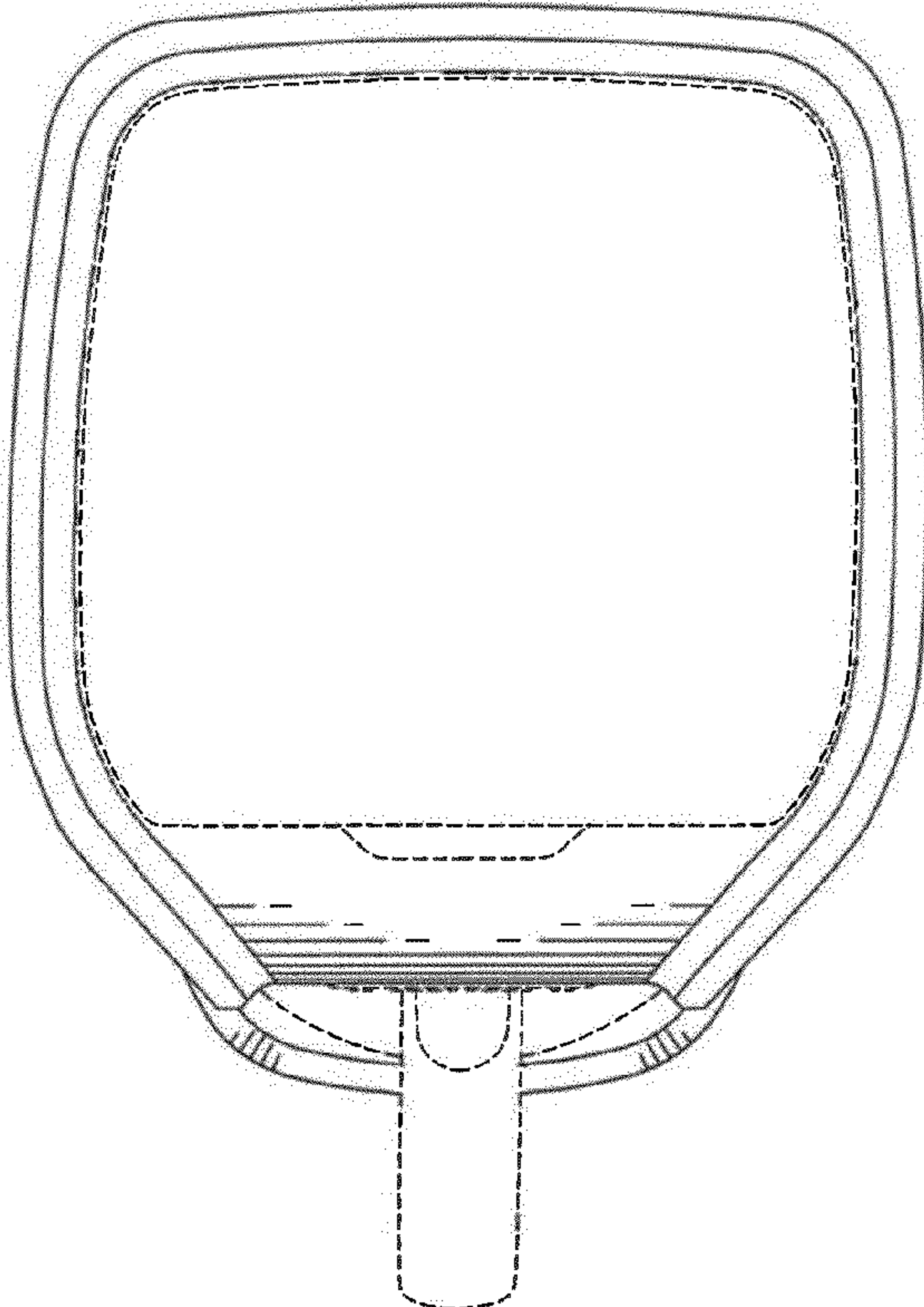


FIG. 3

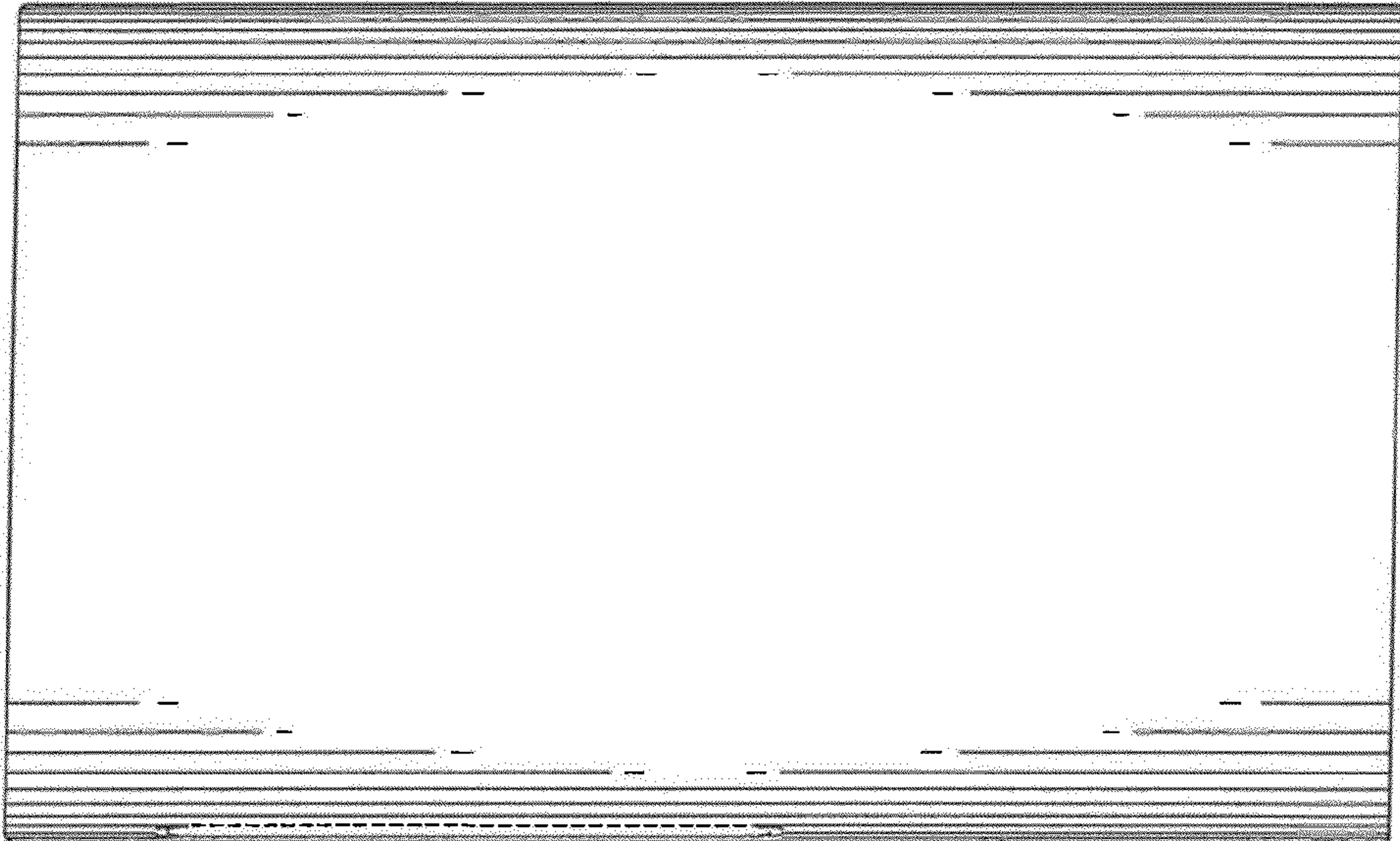


FIG. 2

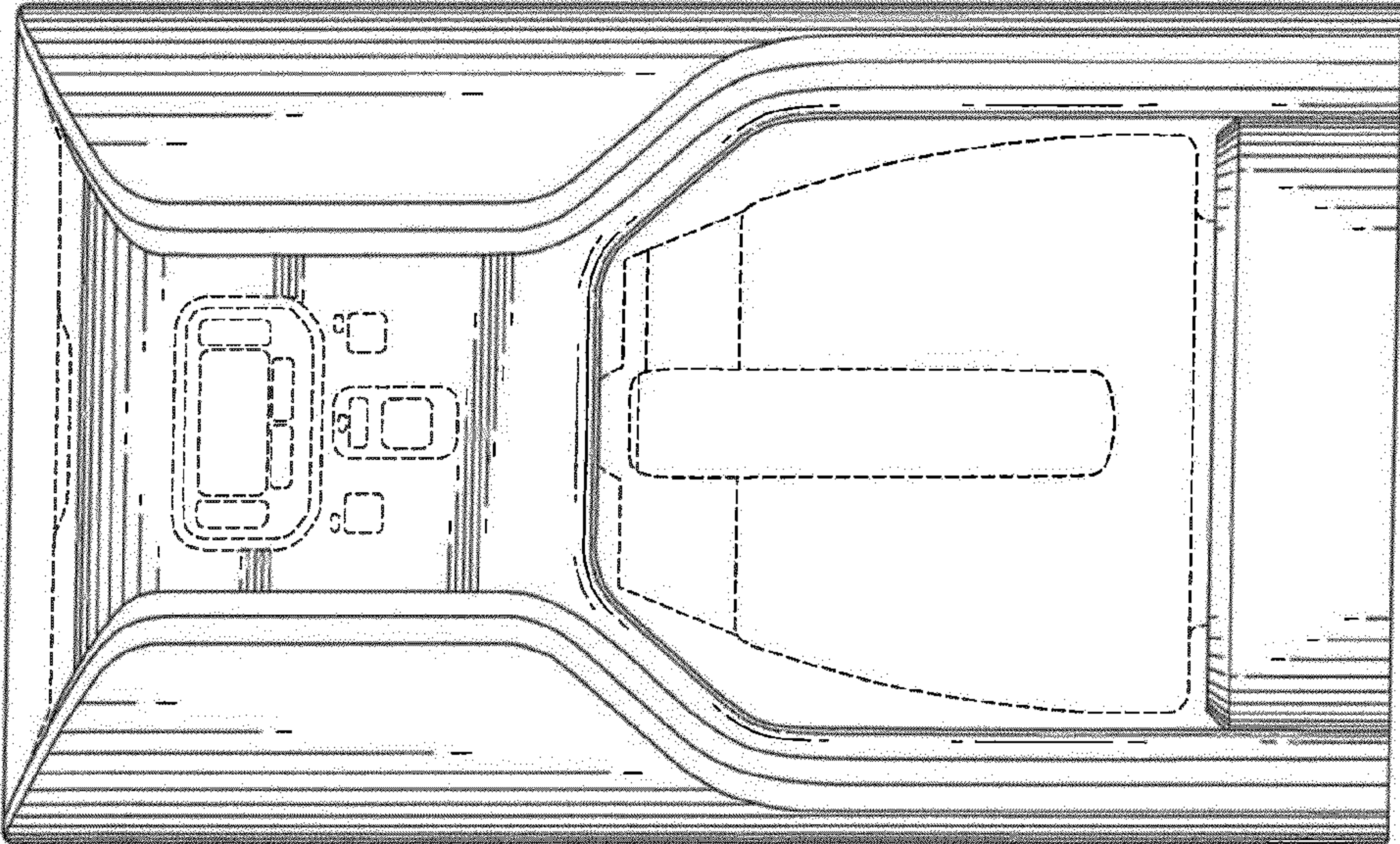


FIG. 5

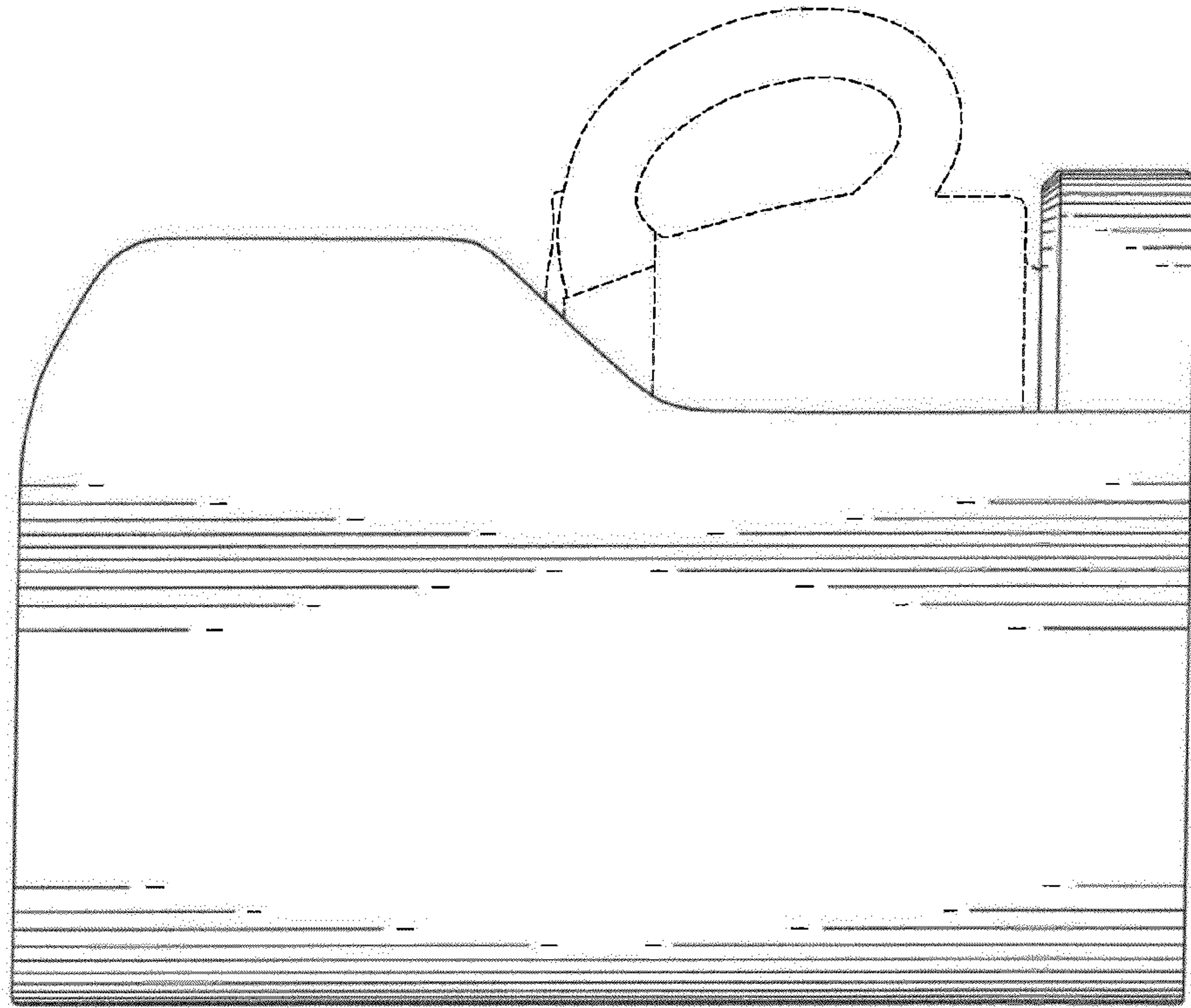


FIG. 4

