



US00D758117S

(12) **United States Design Patent**
Tsai et al.

(10) **Patent No.:** **US D758,117 S**

(45) **Date of Patent:** **** Jun. 7, 2016**

(54) **DESKTOP BEVERAGE MAKING APPARATUS**

(71) Applicant: **Teforia Company**, Mountain View, CA (US)

(72) Inventors: **I-Hsuan Tsai**, Taichung (TW);
Ting-Chieh Chang, Taichung (TW);
Chung Ming Ying, Taichung (TW);
Allen Ming-kuang Han, Mountain View, CA (US)

(73) Assignee: **Teforia Company**, Mountain View, CA (US)

(**) Term: **14 Years**

(21) Appl. No.: **29/508,137**

(22) Filed: **Nov. 3, 2014**

(51) **LOC (10) Cl.** **07-01**

(52) **U.S. Cl.**
USPC **D7/306; D7/311**

(58) **Field of Classification Search**
USPC D7/306-311, 305, 300; 99/279, 284,
99/290, 280, 299, 307, 297
CPC A47J 31/44; A47J 31/00; A47J 31/46;
A47J 31/10

See application file for complete search history.

(56) **References Cited**

U.S. PATENT DOCUMENTS

D243,737 S *	3/1977	Painter	D7/309
D545,608 S *	7/2007	Picozza	D7/309
D595,081 S *	6/2009	Tan	D7/307
D688,904 S *	9/2013	Chan	D6/700

* cited by examiner

Primary Examiner — Marianne Pandozzi

(74) *Attorney, Agent, or Firm* — Cooley LLP

(57) **CLAIM**

The ornamental design for a desktop beverage making apparatus, as shown.

DESCRIPTION

FIG. 1 is a perspective view of a desktop beverage making apparatus in accordance with an embodiment of the present disclosure;

FIG. 2 is a front elevational view thereof;

FIG. 3 is a rear elevational view thereof;

FIG. 4 is a left side elevational view thereof;

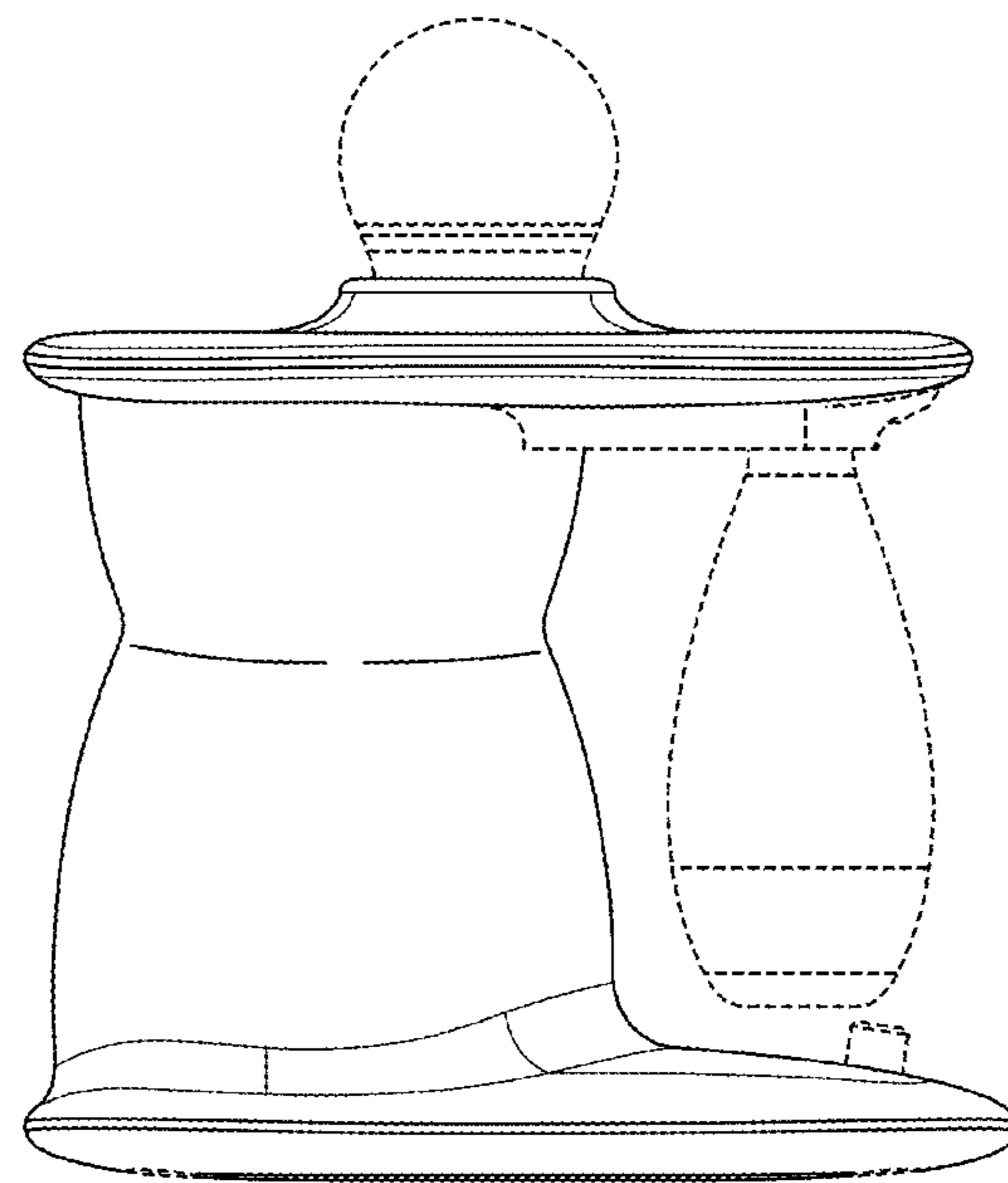
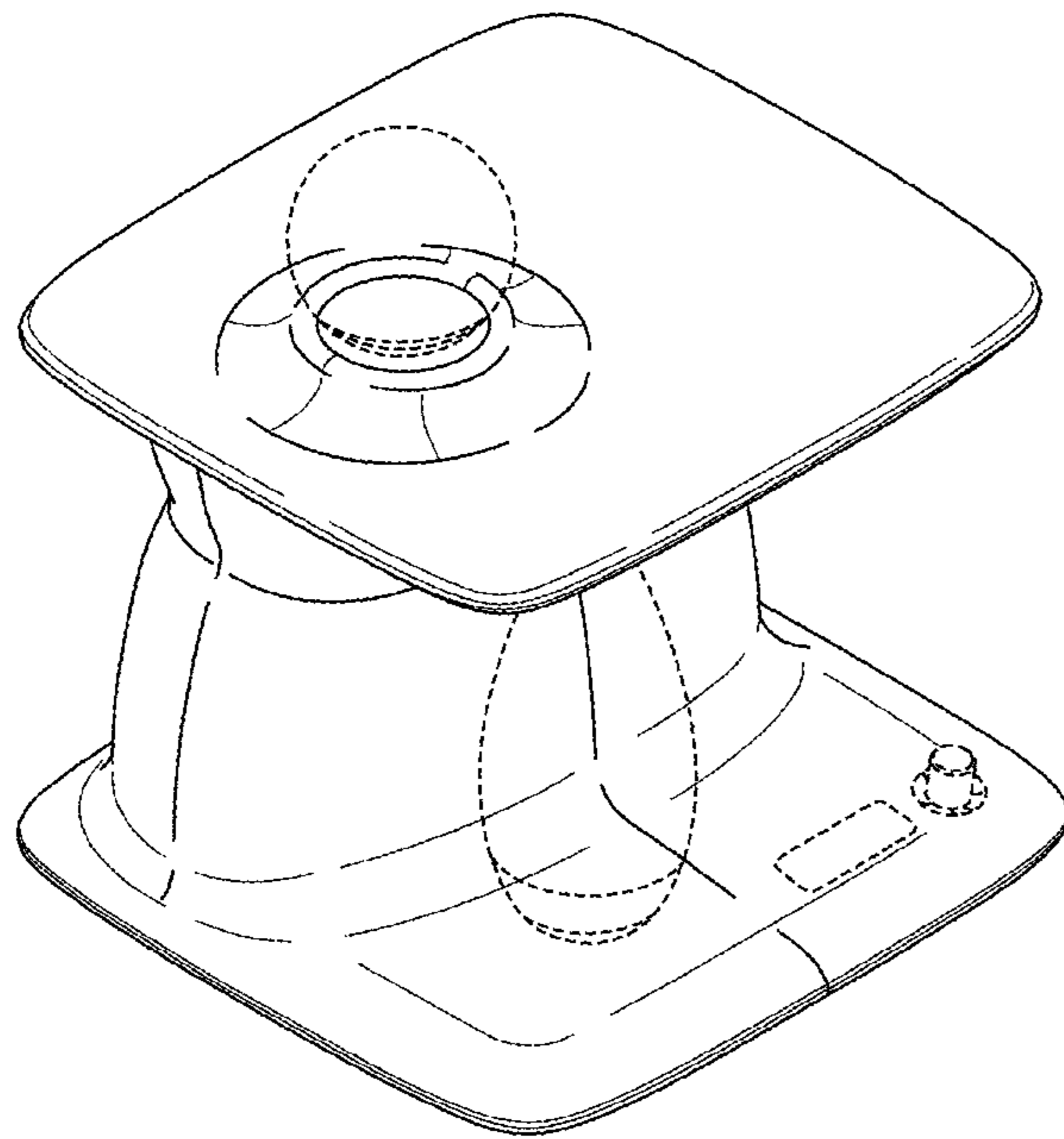
FIG. 5 is a right side elevational view thereof;

FIG. 6 is a top plan view thereof; and,

FIG. 7 is a bottom plan view thereof.

The broken lines in the drawings depict portions of the desktop beverage making apparatus that form no part of the claimed design.

1 Claim, 7 Drawing Sheets



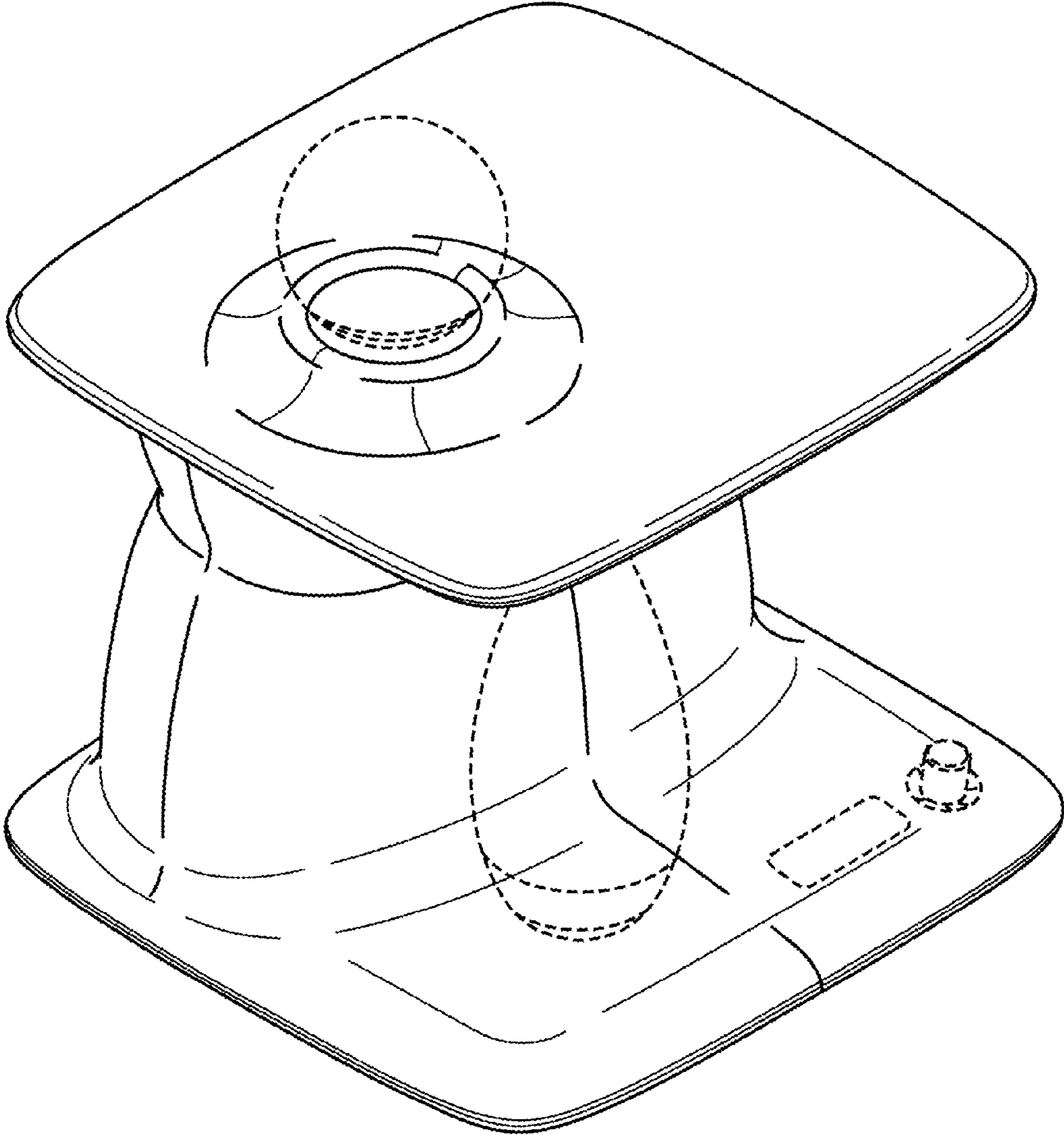


FIG. 1

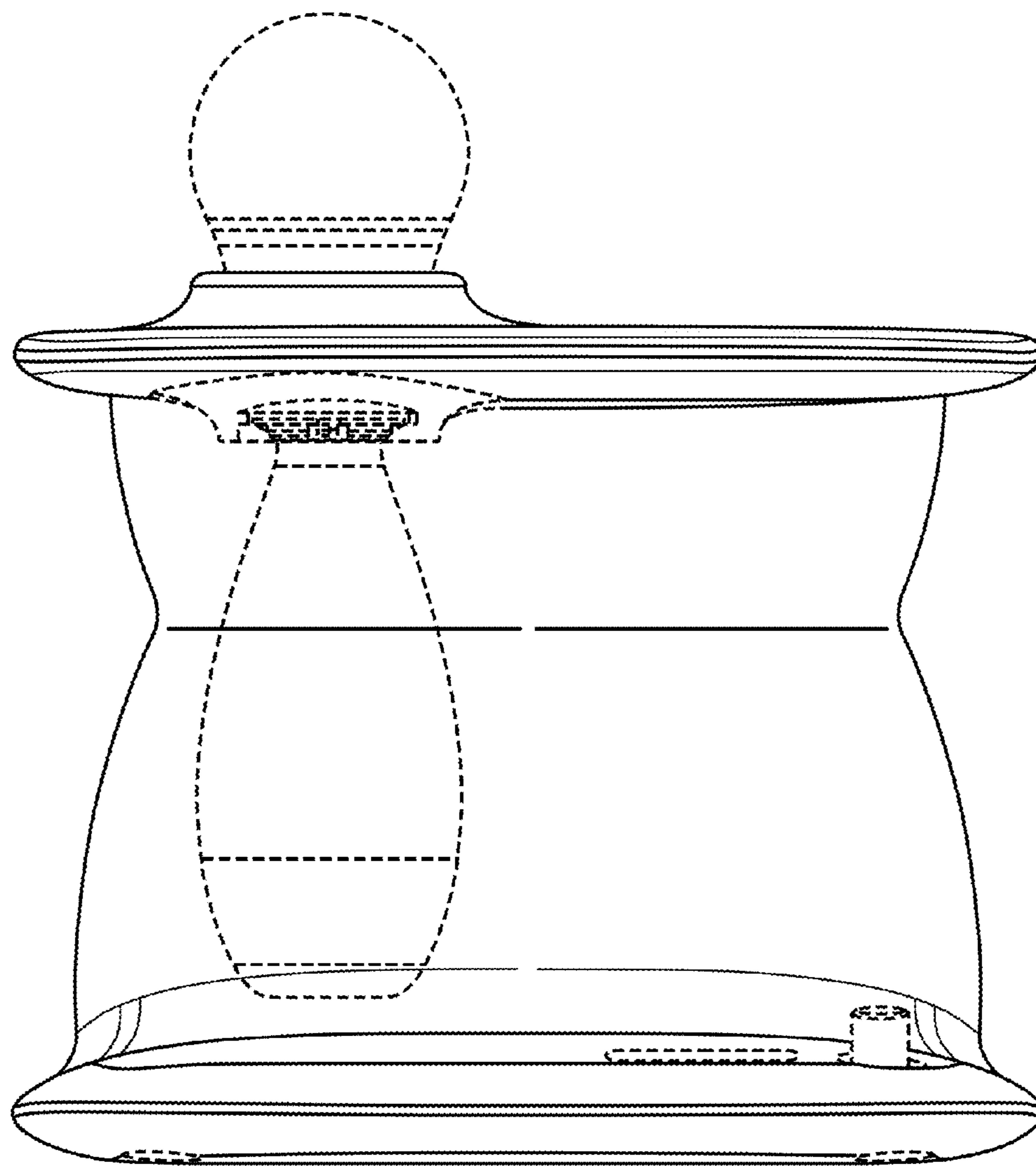


FIG. 2

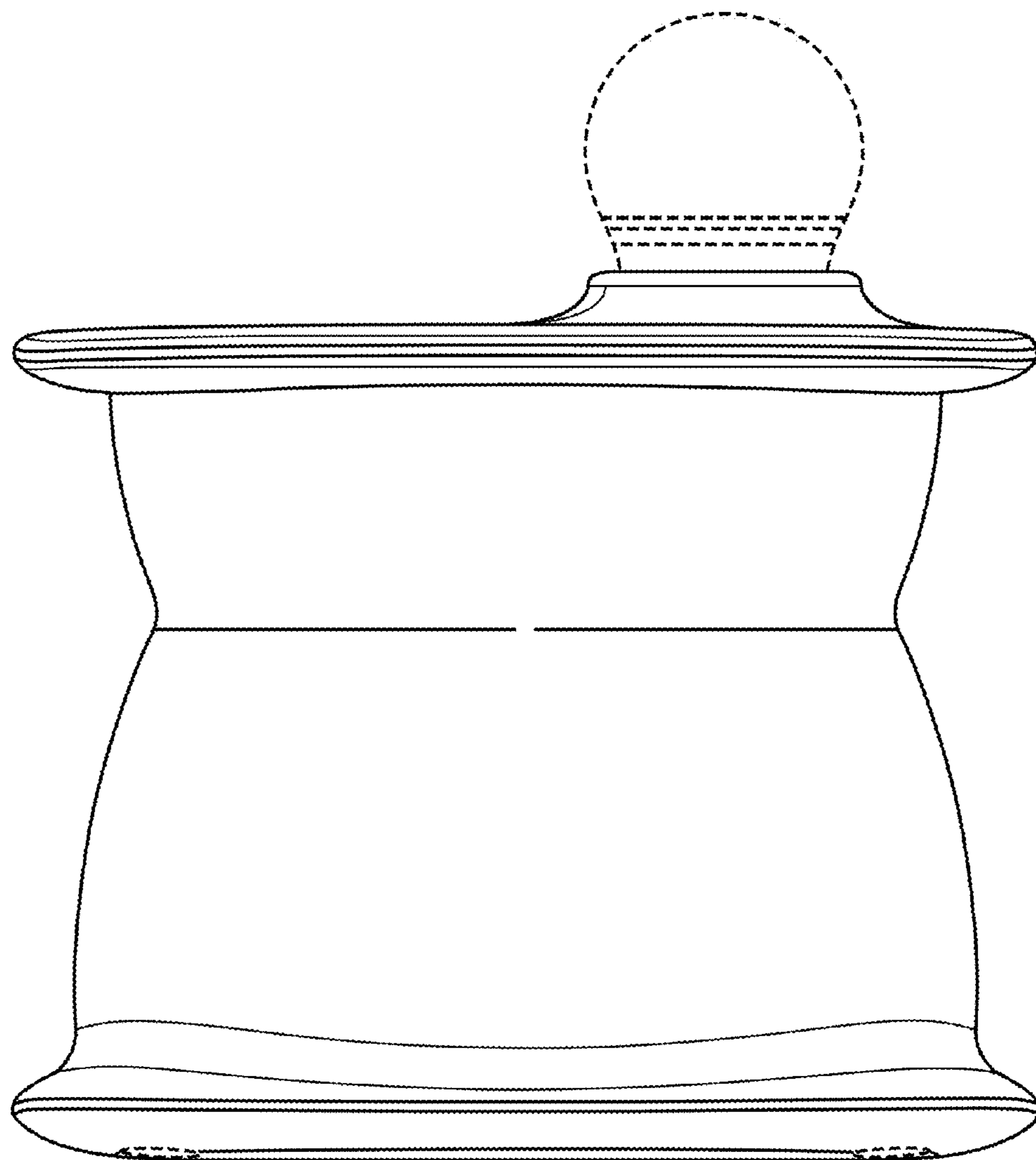


FIG. 3

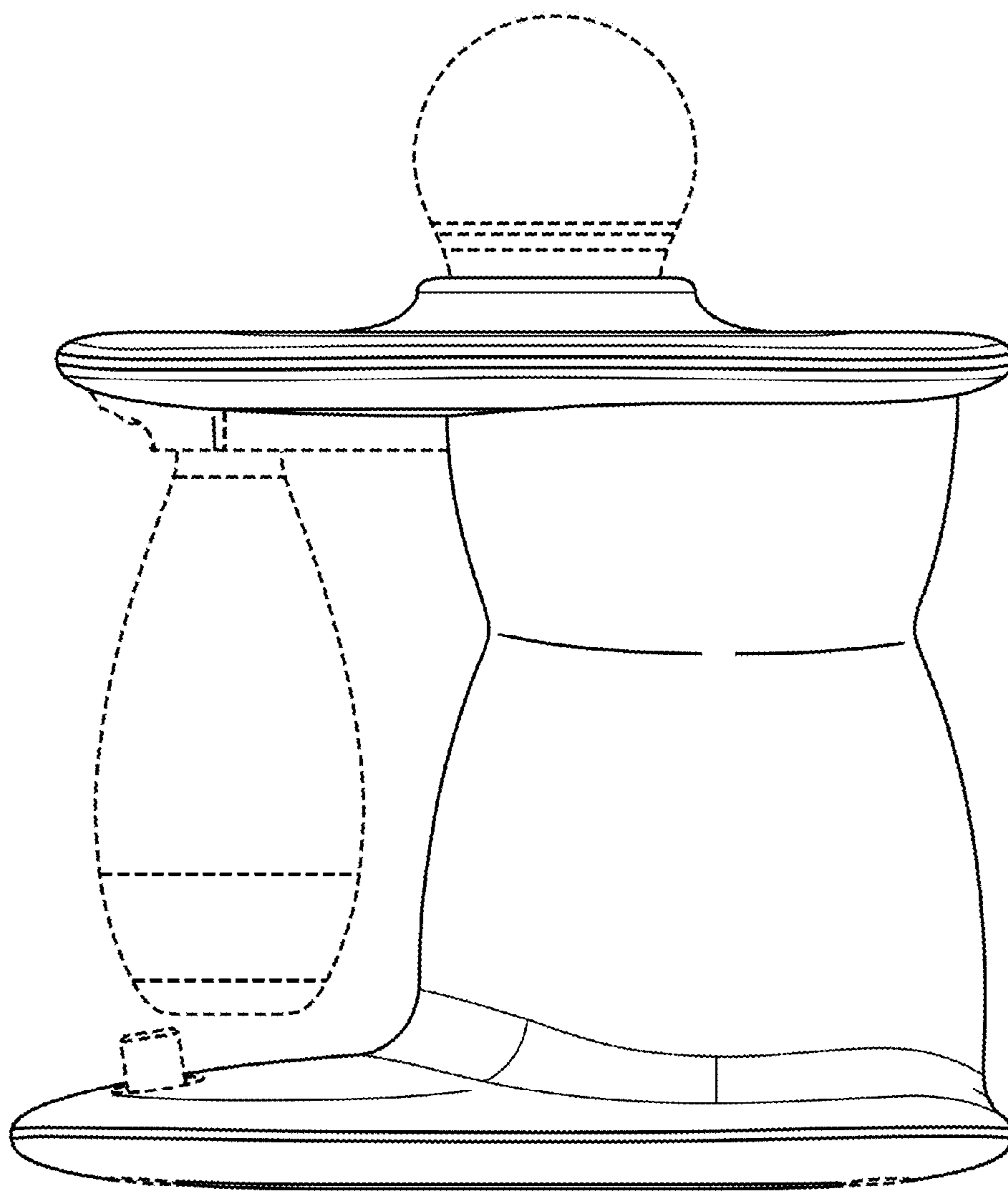


FIG. 4

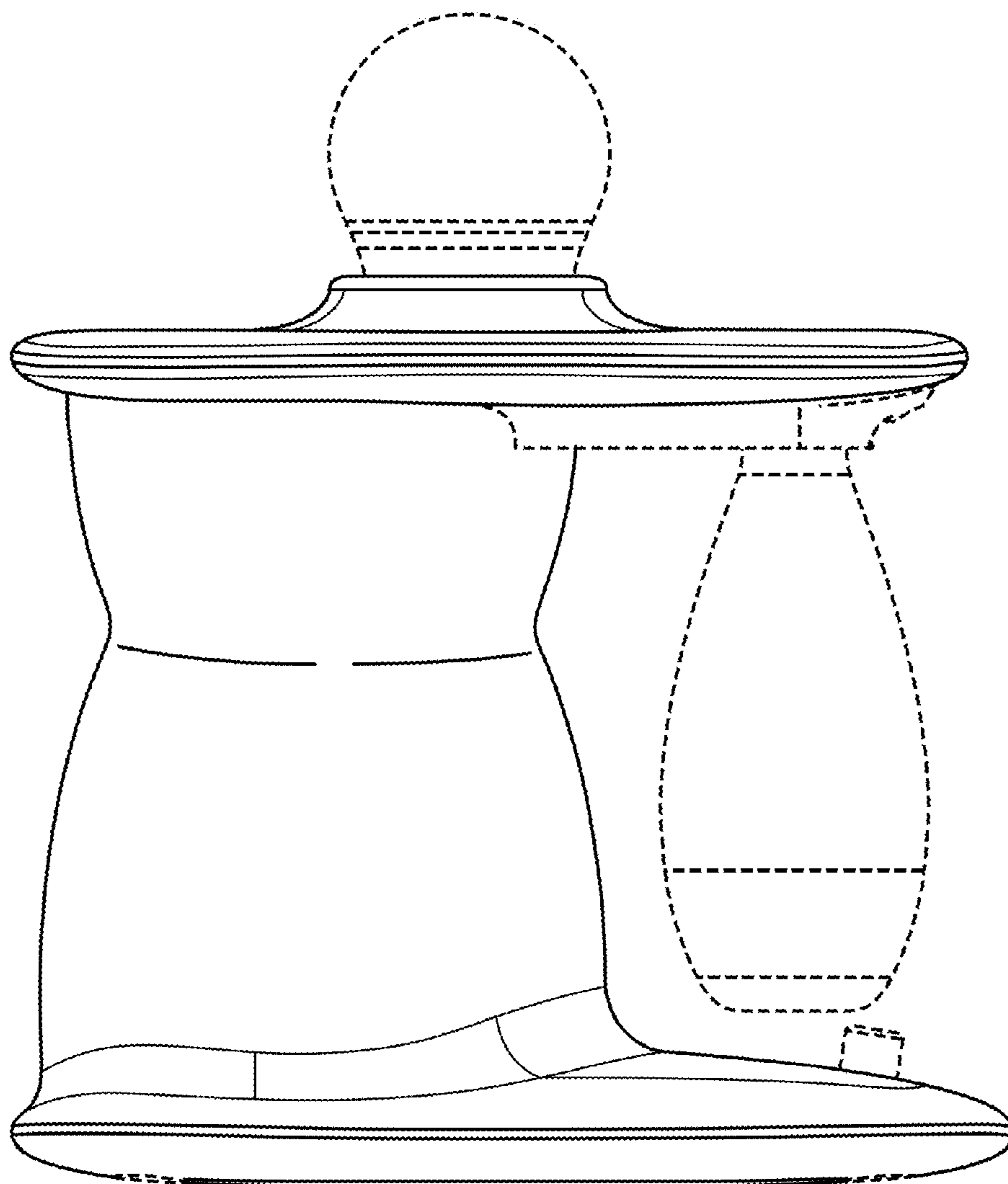


FIG. 5

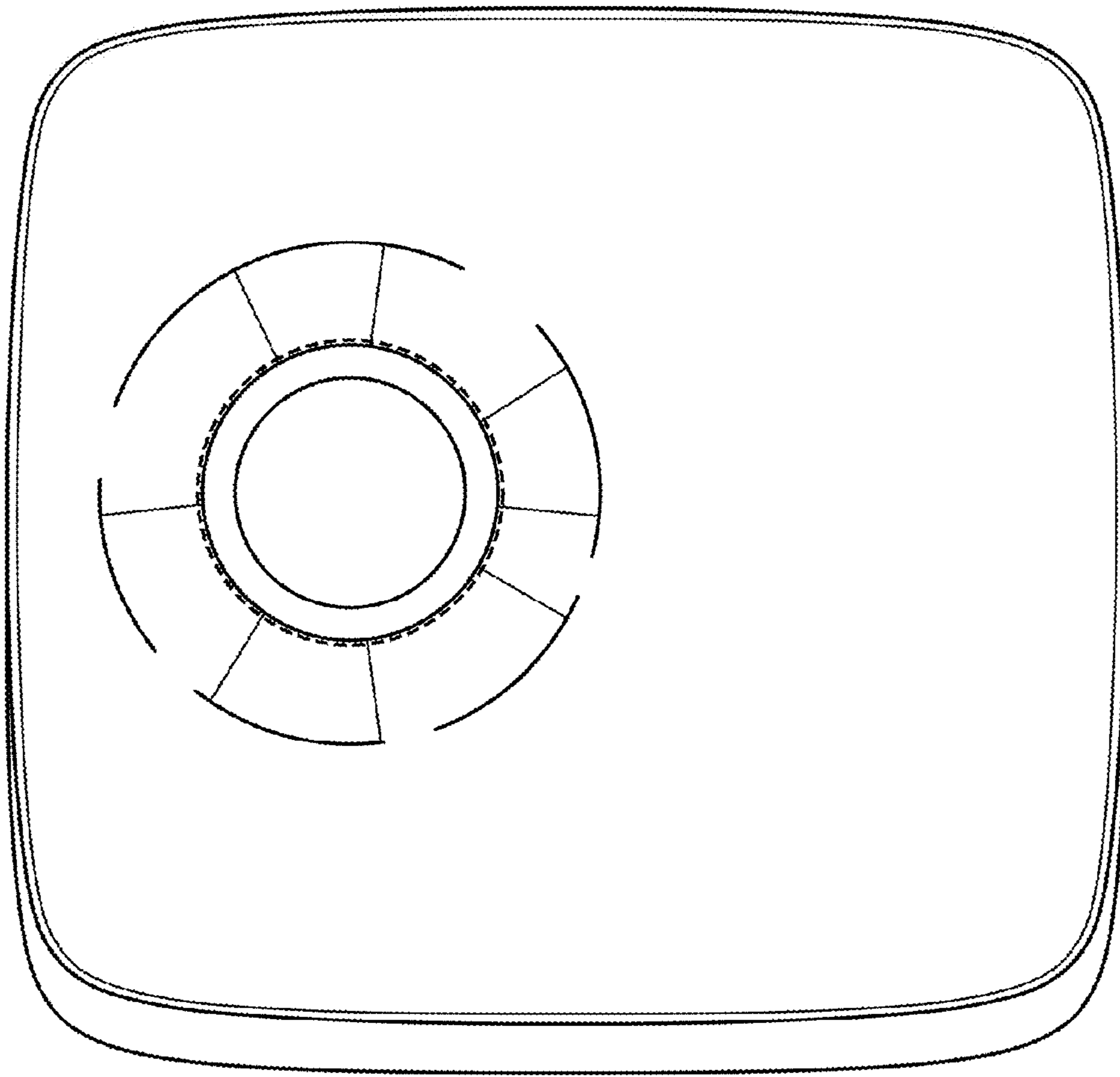


FIG. 6

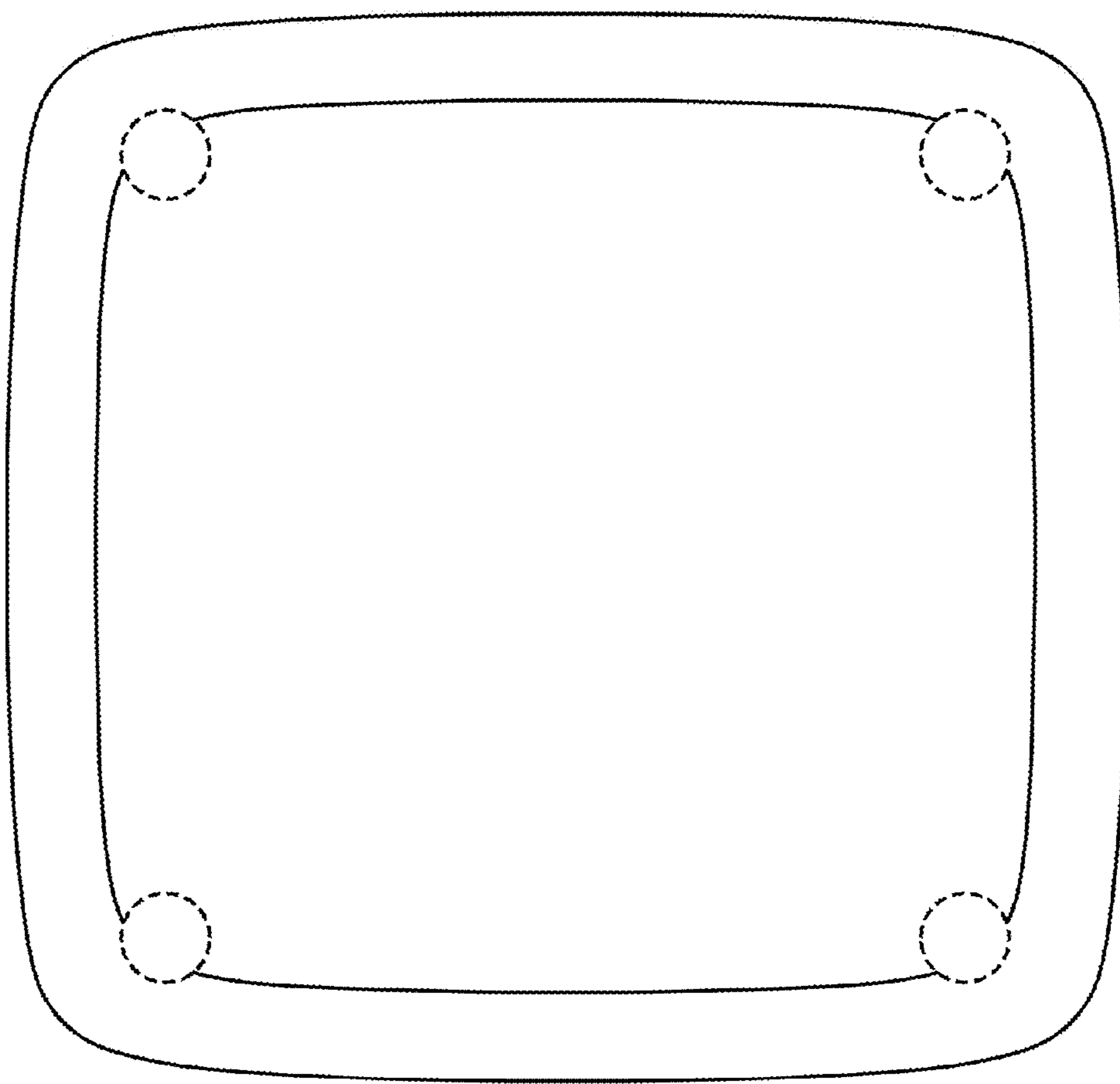


FIG. 7