



US00D758116S

(12) **United States Design Patent**
Shih

(10) **Patent No.:** **US D758,116 S**
(45) **Date of Patent:** **** Jun. 7, 2016**

(54) **HEAD OF ADJUSTABLE ELECTRIC BED**

2011/0247138 A1* 10/2011 Clenet A47C 20/04
5/613

(71) Applicant: **Chuan-Hang Shih**, Lu-Kang Town
(TW)

* cited by examiner

(72) Inventor: **Chuan-Hang Shih**, Lu-Kang Town
(TW)

Primary Examiner — Janice Seeger

(74) *Attorney, Agent, or Firm* — Muncy, Geissler, Olds &
Lowe, P.C.

(**) Term: **14 Years**

(21) Appl. No.: **29/492,073**

(57) **CLAIM**

The ornamental design for a head of adjustable electric bed,
as shown and described.

(22) Filed: **May 28, 2014**

(51) **LOC (10) Cl.** **06-02**

(52) **U.S. Cl.**

USPC **D6/718**; D6/392; D6/718.13

(58) **Field of Classification Search**

USPC D6/382, 392, 361, 393, 718, 718.13

CPC A47C 19/02; A47C 20/08; A61G 7/00;

A61G 7/0573; A61G 7/015

See application file for complete search history.

DESCRIPTION

FIG. 1 is a perspective view of a first preferred embodiment of
the present design.

FIG. 2 is a front view of the first preferred embodiment of the
present design.

FIG. 3 is a front view showing the bed in a folded condition.

FIG. 4 is a front view showing the bed in a second folded
condition.

FIG. 5 is a front view showing the bed in a third folded
condition; and,

FIG. 6 is a perspective view of a second preferred embodi-
ment of the present design.

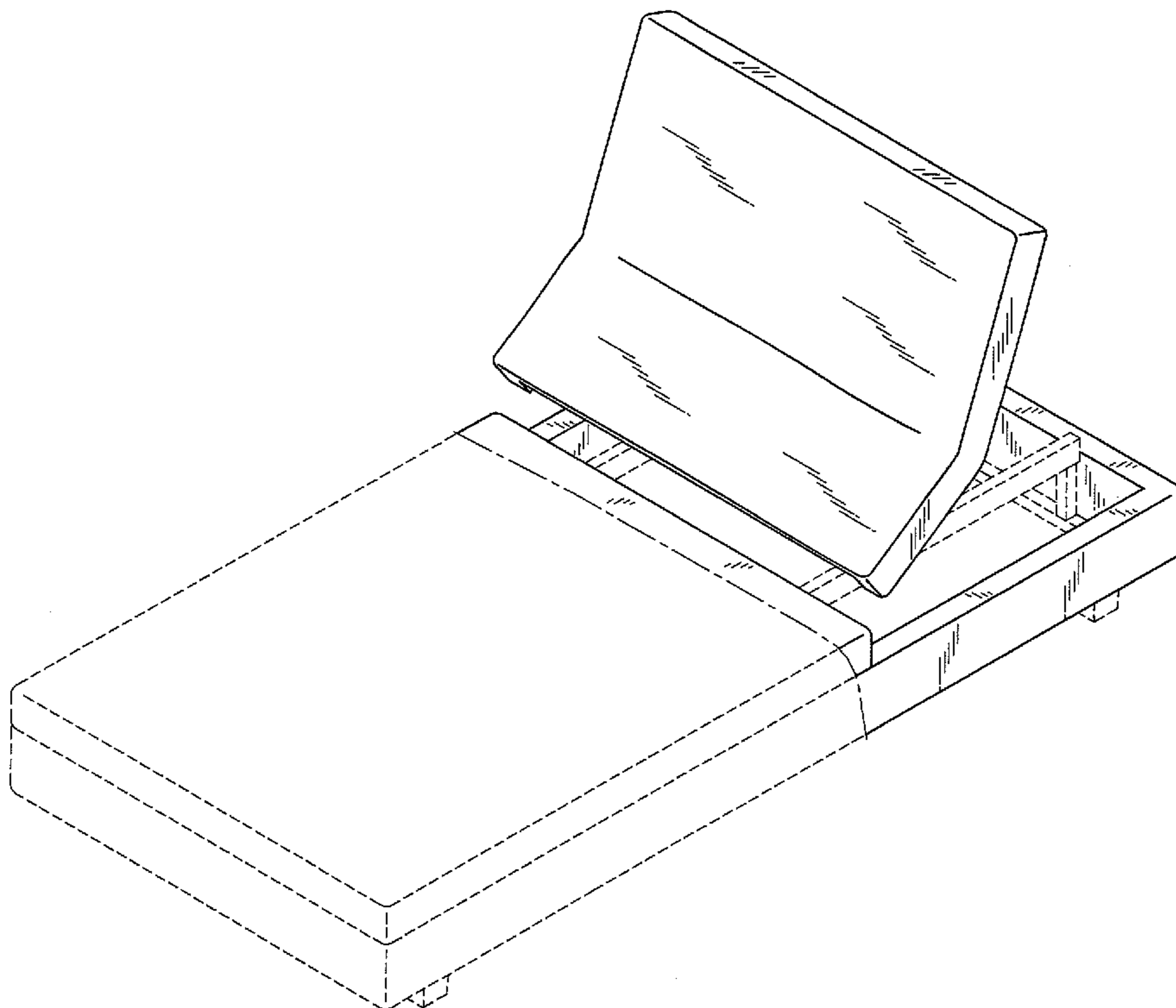
The broken lines showing of structural feature is indeed for
the purpose of illustrating non-claimed subject matter and
forms no part of the claimed design.

(56) **References Cited**

U.S. PATENT DOCUMENTS

D376,276 S *	12/1996	Good	D6/382
D657,158 S *	4/2012	McCarty	D6/361
D674,211 S *	1/2013	McCarty	D6/361
2005/0011005 A1 *	1/2005	Borda	A47C 19/04
				5/412
2010/0083441 A1 *	4/2010	Ishida	A61G 7/002
				5/604

1 Claim, 6 Drawing Sheets



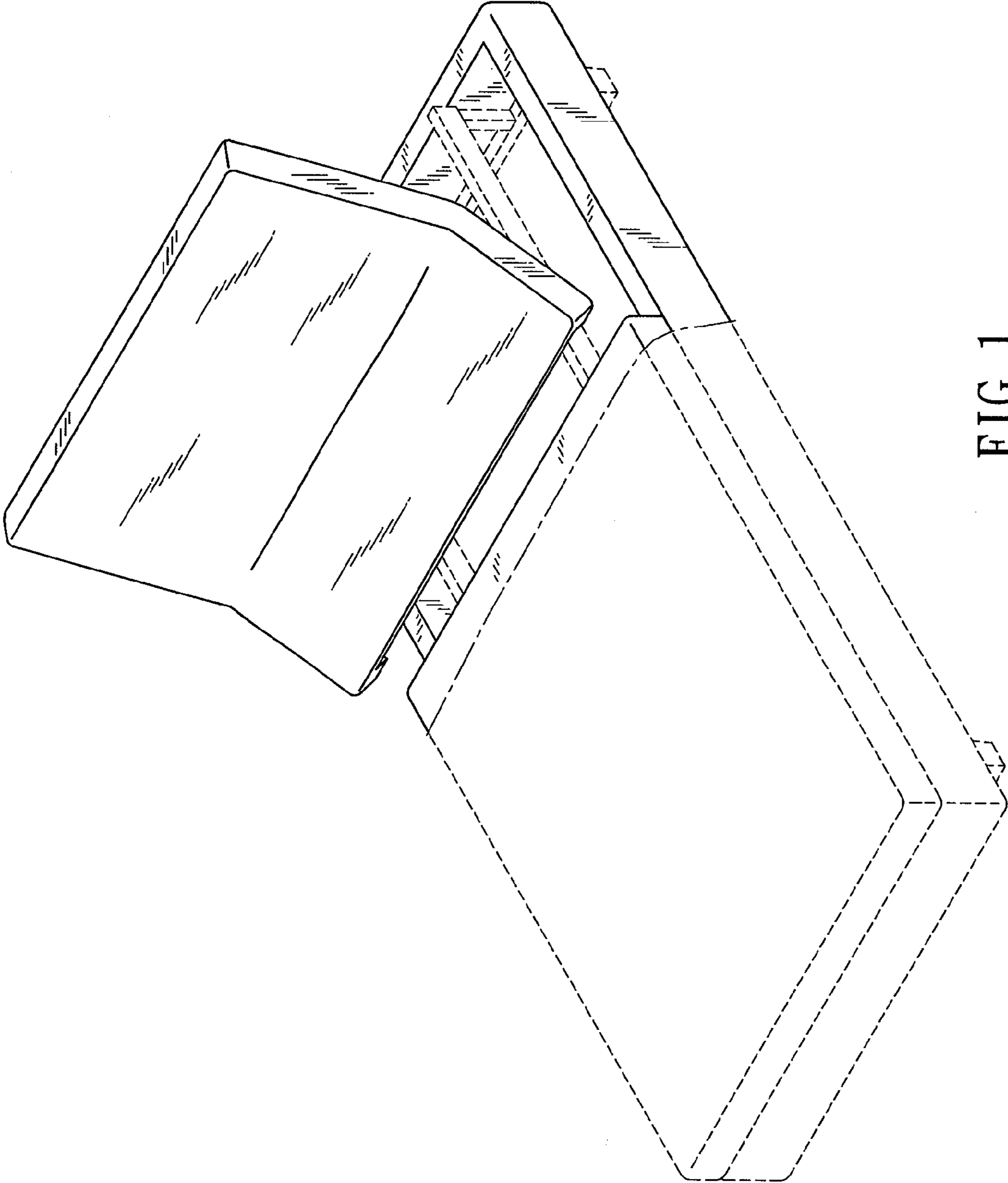


FIG. 1

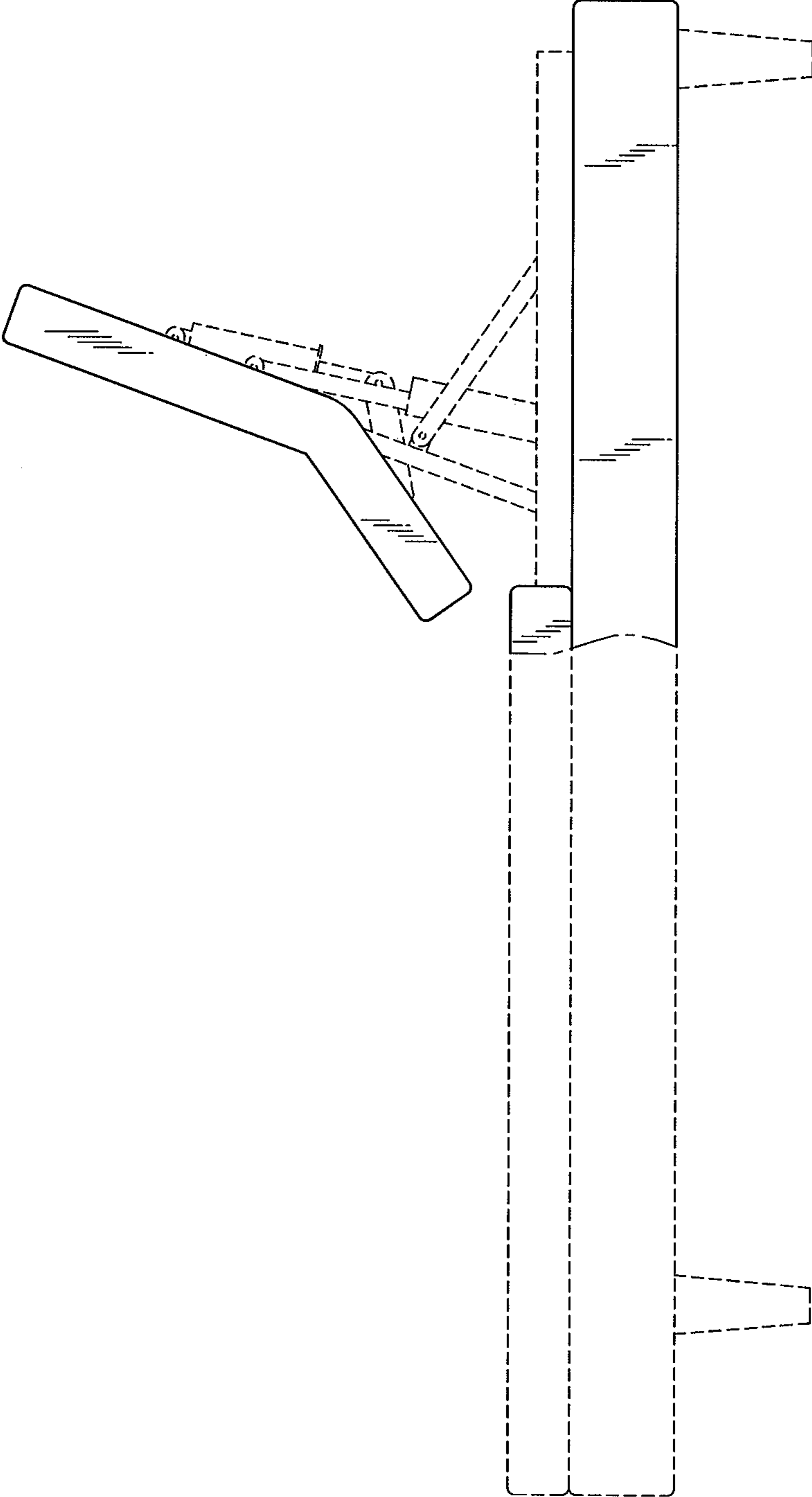


FIG. 2

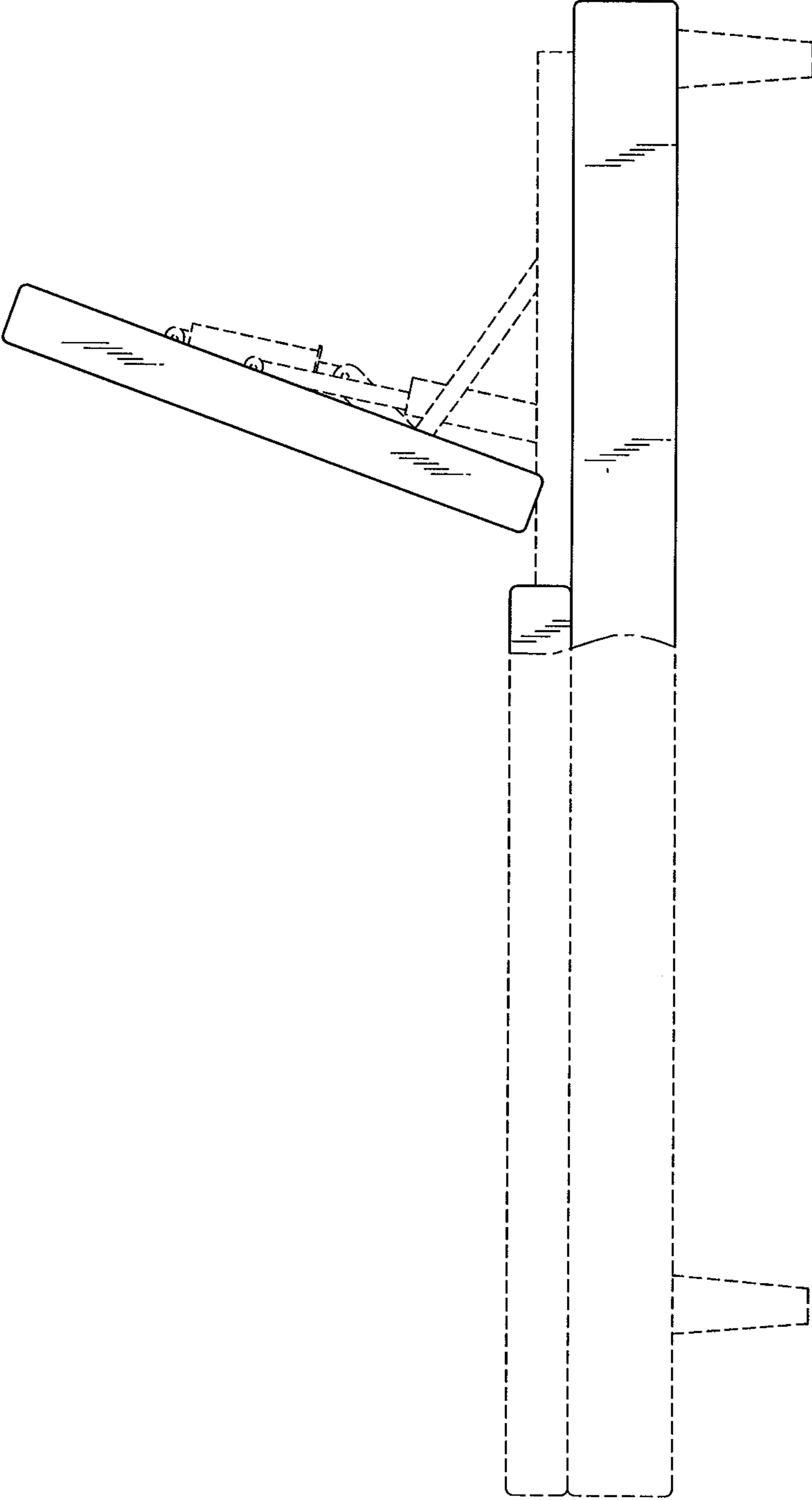


FIG. 3

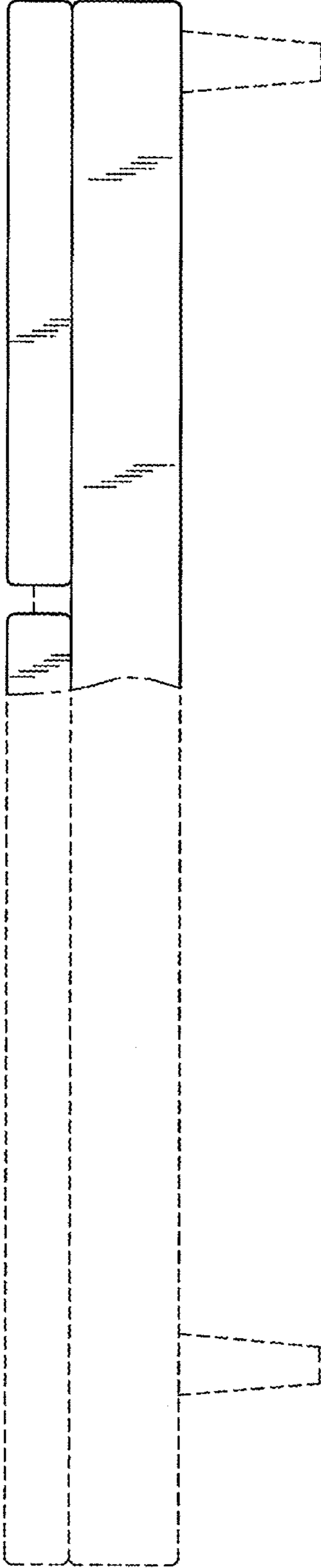


FIG. 4

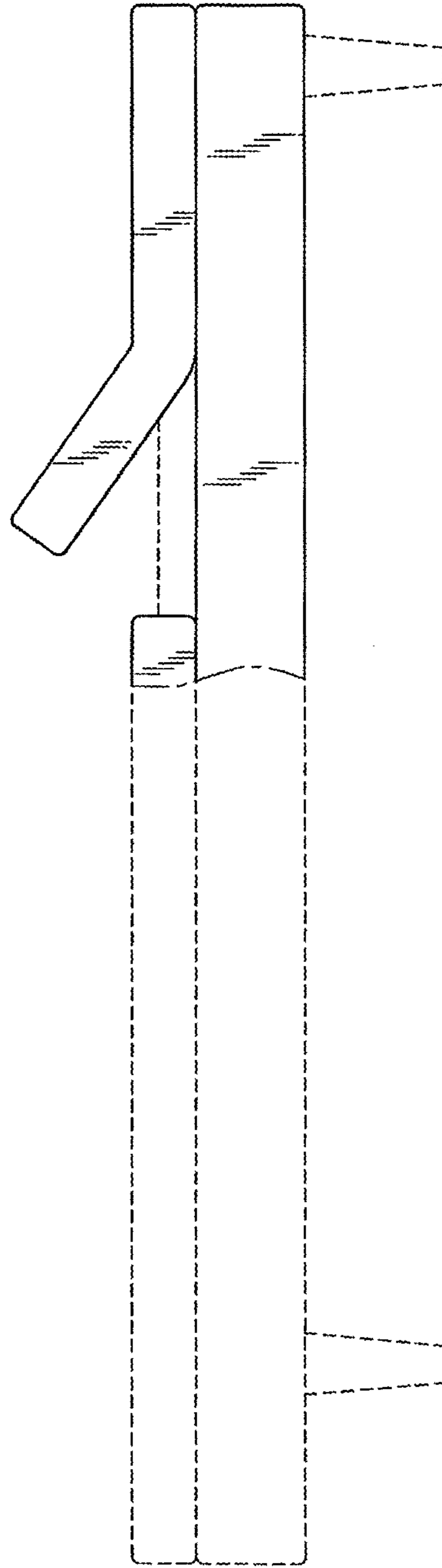


FIG. 5

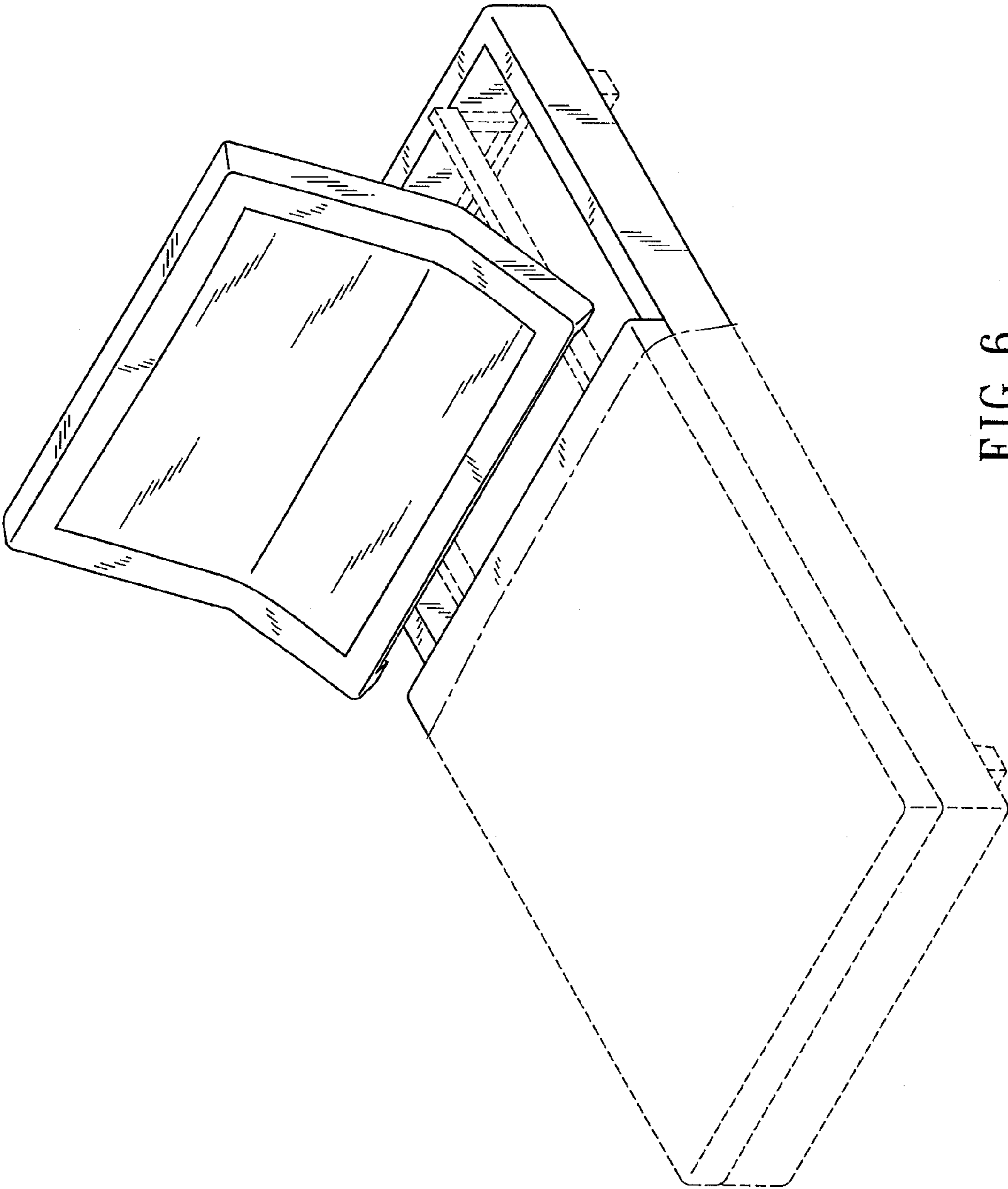


FIG. 6