



US00D758115S

(12) **United States Design Patent**  
**McKenna et al.**

(10) **Patent No.:** **US D758,115 S**  
(45) **Date of Patent:** **\*\* Jun. 7, 2016**

(54) **PERSONAL WORKSPACE FURNITURE**  
(71) Applicant: **STEELCASE, INC.**, Grand Rapids, MI (US)  
(72) Inventors: **Mark McKenna**, East Grand Rapids, MI (US); **Mark William Spoelhof**, Grand Rapids, MI (US); **Duck Young Kong**, Beaverton, OR (US)  
(73) Assignee: **Steelcase, Inc.**, Grand Rapids, MI (US)  
(\*\*) Term: **14 Years**

2,160,724 A 5/1939 Fletcher  
2,266,854 A 12/1941 Davis  
2,287,079 A 6/1942 Anderson  
2,339,647 A 1/1944 Meyer  
2,343,077 A 2/1944 Parrish  
D148,242 S \* 12/1947 Horsewood ..... D6/336  
2,636,224 A 4/1953 Murdoch  
2,694,614 A 11/1954 Dent  
D181,945 S 1/1958 Saarinen  
D183,416 S 8/1958 Bellmann  
2,845,699 A 8/1958 Wwoodard  
2,887,154 A 5/1959 Morningstar  
2,942,924 A 6/1960 Stangert  
2,973,028 A 2/1961 Celeste  
2,981,576 A 4/1961 Robinson  
2,981,583 A 4/1961 Eisenberg

(21) Appl. No.: **29/517,529**

(Continued)

(22) Filed: **Feb. 13, 2015**

FOREIGN PATENT DOCUMENTS

(51) **LOC (10) Cl.** ..... **06-01**

FR 2952285 A1 5/2011  
GB 2331237 A 5/1999

(52) **U.S. Cl.**

USPC ..... **D6/717**

(Continued)

(58) **Field of Classification Search**

USPC ..... D6/335, 336, 337, 338, 640, 643, 643.1, D6/644, 406.1, 406.2, 406.3, 356, 334, D6/381, 716, 717; D12/318, 345; D25/16  
CPC ..... A47C 17/00; A47C 17/02; A47C 17/12; A47C 17/18; A47C 7/021; A47C 31/00; A47C 3/16

See application file for complete search history.

*Primary Examiner* — Sandra Snapp

(74) *Attorney, Agent, or Firm* — Quarles & Brady, LLP

(57) **CLAIM**

The ornamental design for a personal workspace furniture, as shown and described.

**DESCRIPTION**

FIG. 1 is a top, right, front perspective view of a personal workspace furniture embodying our new design; FIG. 2 is a right side elevational view thereof; FIG. 3 is a left side elevational view thereof; FIG. 4 is a front elevational view thereof; FIG. 5 is a rear elevational view thereof; FIG. 6 is a top plan view thereof; and, FIG. 7 is a bottom plan view thereof.

The broken line representations in the figures illustrate unclaimed environment, and thus form no part of the claimed design. The dash-dot-dash lines define boundaries of the claimed design and form no part of the claimed design.

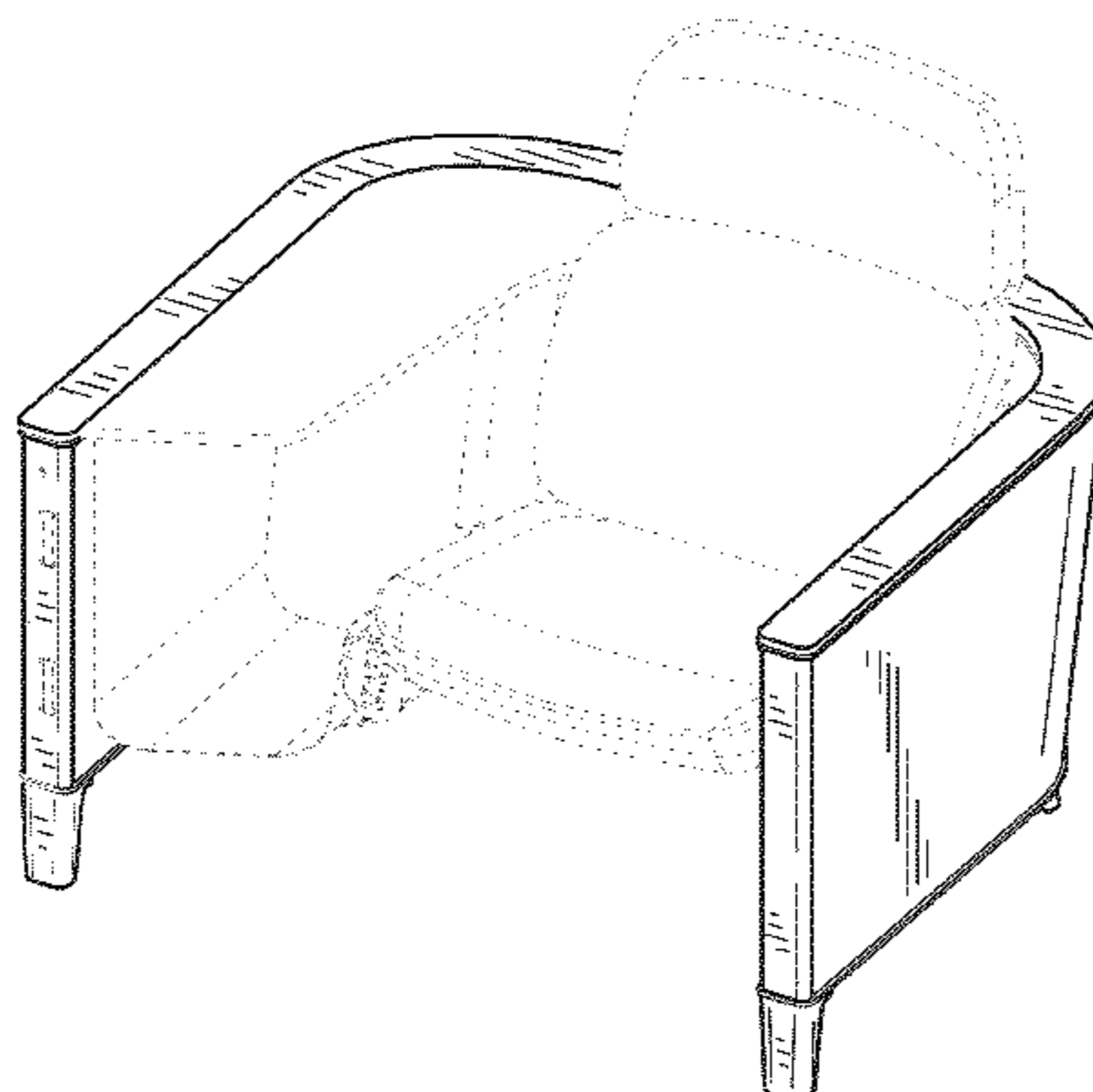
The nature of this product is a walled enclosure or personal workspace furniture for surrounding a seating area, for example, including a chair and table or desk top.

**1 Claim, 6 Drawing Sheets**

(56) **References Cited**

U.S. PATENT DOCUMENTS

540,515 A 6/1895 Rowlett  
817,969 A 4/1906 Galbraith  
995,410 A 6/1911 McClure  
1,007,498 A 10/1911 Spencer  
1,094,812 A 4/1914 Reck  
1,234,309 A 7/1917 Dubben  
1,391,222 A 9/1921 Fleet  
1,489,982 A 4/1924 Dailey  
1,502,353 A 7/1924 Simonson  
1,548,334 A 8/1925 Sebell  
1,659,572 A 2/1928 Klemm  
1,661,003 A 2/1928 Miller  
1,992,903 A 2/1935 Potashnik  
D95,588 S 5/1935 Holsman



(56)

## References Cited

## U.S. PATENT DOCUMENTS

2,982,344	A	5/1961	Berlin		5,038,539	A	8/1991	Kelley
2,989,112	A	6/1961	Sonnleitner		5,048,585	A	9/1991	Miller
3,013,642	A	12/1961	Hammitt		D321,407	S	11/1991	Heidmann
3,027,214	A	3/1962	Curatolo		5,092,385	A	3/1992	Beaulieu
D193,889	S	10/1962	Buzzitta		5,097,643	A	3/1992	Wittler
3,128,137	A	4/1964	Dokter		5,104,183	A	4/1992	Madsen
3,142,514	A	7/1964	Ginat		D330,638	S	11/1992	Moschini
3,226,161	A	12/1965	Planter		5,169,210	A	12/1992	Fricano
D205,939	S	10/1966	Laverne		5,228,761	A	7/1993	Huebschen
3,281,185	A	10/1966	Albinson		5,230,289	A	7/1993	George
3,295,283	A	1/1967	Griffith		5,238,300	A	8/1993	Slivon
3,326,147	A	6/1967	Toney		5,246,240	A	9/1993	Romich
D208,413	S	8/1967	Ball		5,277,512	A	1/1994	Dwillies
3,371,454	A	3/1968	Anderson		5,333,928	A	8/1994	Rollinson
D211,464	S	6/1968	Platner		5,339,576	A	8/1994	Fussler
3,389,246	A	6/1968	Shemitz		D350,242	S	9/1994	Lohmeyer
3,425,171	A	2/1969	Propst		D351,294	S	10/1994	Fleishman
3,441,310	A	4/1969	Gale		5,368,359	A	11/1994	Eakin
3,521,929	A	7/1970	Pearson		D353,946	S	1/1995	Fischer et al.
3,528,717	A	9/1970	Kinnebrew		5,377,598	A	1/1995	Kirchner
D219,376	S	12/1970	Pearson		5,394,668	A	3/1995	Lim
3,582,170	A	6/1971	Schaeffer		5,398,901	A	3/1995	Brodmann
D226,648	S	4/1973	Sebel et al.		D358,514	S	5/1995	Lovegrove
D227,832	S	7/1973	Leaver		5,429,336	A	7/1995	Ko
3,744,868	A	7/1973	Reiter		5,473,994	A	12/1995	Foley
3,811,728	A	* 5/1974	Redemske	..... A47B 83/00 297/440.14	5,537,766	A	7/1996	Nickens
3,841,042	A	10/1974	Siegal		5,564,667	A	10/1996	Copeland
D242,099	S	11/1976	Casey		5,577,818	A	11/1996	Sayre
D242,100	S	11/1976	Casey		D382,122	S	8/1997	Thorp et al.
D246,082	S	10/1977	Friedrich		5,653,499	A	8/1997	Goodall
4,097,918	A	6/1978	Anderson		5,660,432	A	8/1997	Davis
4,109,429	A	8/1978	Whisson		D385,423	S	10/1997	Shields
4,164,009	A	8/1979	Maguire, Jr.		5,683,064	A	11/1997	Copeland
4,191,420	A	3/1980	Fassett		D390,021	S	2/1998	Smith
4,226,190	A	10/1980	Ashton		D392,114	S	3/1998	Thorp et al.
D257,601	S	12/1980	Cyplik		5,727,841	A	3/1998	Morley
D257,604	S	12/1980	Cyplik		5,765,315	A	6/1998	Nagamitsu
4,307,672	A	12/1981	Shikimi		5,816,649	A	10/1998	Shields
4,312,515	A	1/1982	Allori		5,826,639	A	10/1998	Miller
D264,402	S	5/1982	Yellen		5,826,941	A	10/1998	Olsen
4,351,475	A	9/1982	Hudson		D402,476	S	12/1998	Thorp et al.
4,367,370	A	1/1983	Wilson		D406,228	S	3/1999	Vogels
4,427,232	A	1/1984	Malm		5,875,597	A	3/1999	Gingrich
4,448,003	A	5/1984	Hasbrouck		D409,419	S	5/1999	Wilkinson
D278,003	S	* 3/1985	Gagliano	..... D6/336	5,931,102	A	8/1999	Grahl
4,616,798	A	10/1986	Smeenge		5,931,528	A	8/1999	Shields
4,624,083	A	11/1986	Diffrient		5,947,034	A	9/1999	Belka
D286,956	S	12/1986	Lockwood		5,967,600	A	10/1999	Jelacic
4,631,881	A	12/1986	Charman		D415,901	S	11/1999	Arko et al.
D288,506	S	3/1987	Ochsner		5,979,118	A	11/1999	Gortsema
4,666,118	A	5/1987	Busche		6,000,560	A	12/1999	Barkan
4,685,255	A	8/1987	Kelley		6,015,120	A	1/2000	Sweere
4,687,167	A	8/1987	Skalka		D425,321	S	5/2000	Tholkes et al.
4,712,336	A	12/1987	Backer		6,059,364	A	5/2000	Dryburgh
4,715,154	A	12/1987	Baloga		6,086,034	A	7/2000	McAllister
D293,981	S	2/1988	Ball		6,101,954	A	8/2000	Rein
D296,731	S	7/1988	Hollington		6,102,476	A	8/2000	May
4,761,922	A	8/1988	Black		6,142,559	A	11/2000	Sorel
4,779,540	A	10/1988	Dion		6,145,926	A	11/2000	Lin
4,795,355	A	1/1989	Dorn		6,170,786	B1	1/2001	Park
4,826,245	A	5/1989	Entratter		D439,063	S	3/2001	Round et al.
4,830,614	A	5/1989	Schricker		D439,425	S	3/2001	Park et al.
4,835,915	A	6/1989	Nilssen		D440,064	S	4/2001	Deacon
4,844,388	A	7/1989	Kuba		6,213,191	B1	4/2001	Nitzsche
4,852,500	A	8/1989	Ryburg		D441,968	S	5/2001	Lin
4,865,111	A	9/1989	Perutz		6,250,019	B1	6/2001	Simons, Jr.
4,876,835	A	10/1989	Kelley		D446,659	S	8/2001	Ludwig et al.
D304,529	S	11/1989	Hontz		6,286,275	B1	9/2001	Edwards
4,914,873	A	4/1990	Newhouse		D449,169	S	10/2001	Bennie et al.
4,974,808	A	12/1990	Ball		6,295,764	B1	10/2001	Berridge
4,979,554	A	12/1990	Nelson		6,296,216	B1	10/2001	Law
4,980,998	A	1/1991	Amstutz		D452,559	S	12/2001	Schonberger et al.
4,986,038	A	1/1991	Backer		6,327,982	B1	12/2001	Jackson
RE33,593	E	5/1991	Herst et al.		D456,182	S	4/2002	Hamilton et al.
					6,375,119	B2	4/2002	Park
					6,375,257	B1	4/2002	Wooding
					D457,359	S	5/2002	Chan
					6,386,723	B1	5/2002	Eberlein
					6,394,689	B1	5/2002	Kuo

(56)

References Cited

U.S. PATENT DOCUMENTS

D460,274 S 7/2002 Bennie et al.  
 D460,630 S 7/2002 Ritch et al.  
 6,422,646 B1 7/2002 McNally  
 6,453,826 B1 9/2002 Fookes  
 D465,049 S 10/2002 Ludwig  
 6,484,647 B2 11/2002 Lininger Jr.  
 6,487,978 B1 12/2002 Hamberg  
 6,497,075 B1 12/2002 Schreiner  
 6,527,406 B1 3/2003 Slesinger  
 6,629,722 B1 10/2003 Tang  
 D482,536 S \* 11/2003 Williams ..... D6/335  
 6,644,748 B2 11/2003 Tholkes  
 6,659,159 B2 12/2003 Fritsche  
 6,662,732 B2 12/2003 Birsel  
 6,663,267 B2 12/2003 Newhouse  
 6,695,270 B1 2/2004 Smed  
 D488,163 S 4/2004 Hunt  
 6,742,307 B2 6/2004 Briskman  
 6,748,710 B2 6/2004 Gresham  
 6,769,747 B2 8/2004 Chan  
 D503,549 S 4/2005 Nicoletti  
 D506,331 S 6/2005 Quintal  
 D508,787 S 8/2005 Natuzzi  
 D510,816 S 10/2005 Lee  
 7,032,523 B2 4/2006 Forslund, III  
 D520,263 S 5/2006 Nobles et al.  
 7,036,438 B2 5/2006 Okamoto  
 7,082,882 B2 8/2006 Heimbrock  
 7,134,719 B2 11/2006 Moglin  
 7,178,469 B2 2/2007 Goza  
 D538,060 S \* 3/2007 Golino ..... D6/643  
 D540,565 S \* 4/2007 Nakamura ..... D6/643  
 7,207,629 B2 4/2007 Goetz  
 D552,362 S 10/2007 Bouroullec et al.  
 D557,916 S 12/2007 Dietrich  
 D558,993 S 1/2008 Saint-Jalmes et al.  
 D559,002 S 1/2008 Williams et al.  
 7,318,622 B2 1/2008 Rezag  
 D564,764 S 3/2008 Springer et al.  
 7,357,086 B2 4/2008 Petrick  
 D568,062 S 5/2008 Newhouse  
 D569,647 S 5/2008 Mezger  
 7,419,214 B2 9/2008 Plant  
 7,427,101 B1 9/2008 Zernov  
 D579,224 S 10/2008 Fancelli  
 D582,173 S 12/2008 Dordoni  
 D583,579 S 12/2008 Pearson et al.  
 D584,901 S 1/2009 Massaud  
 7,481,170 B2 1/2009 Sommerfield  
 7,506,772 B2 3/2009 Chen  
 7,517,010 B2 4/2009 Saint-Jalmes  
 7,523,888 B2 4/2009 Ferry  
 D591,520 S 5/2009 Orson et al.  
 D596,864 S 7/2009 Bergmann et al.  
 D599,122 S 9/2009 Feldpausch et al.  
 D600,930 S 9/2009 Overthun et al.  
 7,641,962 B2 1/2010 Sutton  
 D609,037 S 2/2010 Miller et al.  
 D610,377 S 2/2010 Kita  
 7,677,182 B2 3/2010 Mueller  
 D615,919 S 5/2010 Bock  
 D616,209 S \* 5/2010 Singler ..... D6/338  
 7,721,991 B2 5/2010 Johnson  
 7,726,732 B1 6/2010 Keating  
 D621,329 S 8/2010 Bock  
 D621,330 S 8/2010 Bock  
 D621,331 S 8/2010 Bock  
 7,827,920 B2 11/2010 Beck  
 7,887,014 B2 2/2011 Lindblad  
 7,938,372 B2 5/2011 MacLeod  
 D640,074 S 6/2011 Hamilton et al.  
 D643,042 S 8/2011 Saelid  
 7,997,211 B2 8/2011 Peterson  
 7,997,531 B2 8/2011 Bettell  
 7,997,654 B2 8/2011 Ferry

8,011,723 B2 9/2011 Park  
 D646,085 S 10/2011 Overthun et al.  
 D648,553 S 11/2011 Wilson et al.  
 8,046,957 B2 11/2011 Towersey  
 D653,884 S 2/2012 Ferry et al.  
 8,162,519 B2 4/2012 Salter  
 D659,427 S \* 5/2012 Nicolas ..... D6/644  
 D659,428 S \* 5/2012 Nicolas ..... D6/644  
 8,177,165 B2 5/2012 Bettell  
 8,191,487 B2 6/2012 Theesfeld  
 8,201,885 B2 6/2012 Thompson  
 D663,256 S 7/2012 Collins et al.  
 8,215,041 B2 7/2012 Hill  
 8,215,065 B2 7/2012 Gallant  
 8,225,723 B2 7/2012 Nakamura  
 D668,257 S 10/2012 Tsai  
 8,276,867 B2 10/2012 Hung  
 8,291,833 B2 10/2012 Skiba  
 8,312,653 B2 11/2012 Fritsche  
 8,313,060 B2 11/2012 Darbyshire  
 8,322,802 B2 12/2012 Boxenbaum  
 8,327,589 B2 12/2012 Sutton  
 8,365,798 B2 2/2013 Feldpausch  
 D677,477 S 3/2013 Agati et al.  
 8,414,076 B2 4/2013 Plant  
 8,434,825 B2 5/2013 Wesselink  
 8,485,470 B2 7/2013 Hankinson  
 8,596,206 B2 12/2013 Legeay  
 8,616,137 B2 12/2013 Collins  
 8,667,908 B2 3/2014 Martin  
 8,668,257 B2 3/2014 Wu  
 D702,068 S 4/2014 Mitten et al.  
 8,690,254 B2 4/2014 Cailleateau  
 D720,160 S \* 12/2014 Lloyd ..... D6/643  
 2001/0003960 A1 6/2001 Lininger et al.  
 2002/0181229 A1 12/2002 Wei  
 2003/0085597 A1 5/2003 Ludeke et al.  
 2003/0132356 A1 7/2003 Copeland  
 2004/0007904 A1 1/2004 Lin et al.  
 2004/0065235 A1 4/2004 de Oliveira  
 2004/0250480 A1 12/2004 Matthai  
 2005/0067865 A1 3/2005 Yu  
 2005/0140184 A1 \* 6/2005 Williams ..... A47C 13/00  
 297/135  
 2006/0097553 A1 5/2006 Spurlock et al.  
 2007/0261315 A1 11/2007 Ludwig et al.  
 2007/0271856 A1 11/2007 Ludwig et al.  
 2007/0278361 A1 12/2007 May et al.  
 2009/0050740 A1 2/2009 Saint-Jalmes et al.  
 2009/0146006 A1 6/2009 Park et al.  
 2009/0212669 A1 8/2009 Robert-Reitman et al.  
 2009/0243352 A1 10/2009 Cailleateau  
 2009/0302158 A1 12/2009 Darbyshire et al.  
 2010/0301162 A1 12/2010 Hankinson  
 2011/0011977 A1 1/2011 Olliges  
 2011/0186682 A1 8/2011 Collins et al.  
 2011/0210204 A1 9/2011 Collins et al.  
 2011/0253838 A1 10/2011 Bettell  
 2011/0289859 A1 12/2011 Picchio  
 2012/0037776 A1 2/2012 Hung  
 2012/0186164 A1 7/2012 Pensi  
 2012/0235453 A1 9/2012 Bechtold et al.  
 2012/0313406 A1 12/2012 Darbyshire et al.  
 2012/0318918 A1 12/2012 Johnson et al.  
 2013/0180940 A1 7/2013 Tsai

FOREIGN PATENT DOCUMENTS

GB 2362095 A 11/2001  
 JP H03101248 U 10/1991  
 JP H08258796 A 10/1996  
 JP 2003135163 A 5/2003  
 JP 2005334407 A 12/2005  
 WO 2008031506 A1 3/2008  
 WO 2008133953 A1 11/2008  
 WO 2013144845 A2 10/2013

\* cited by examiner

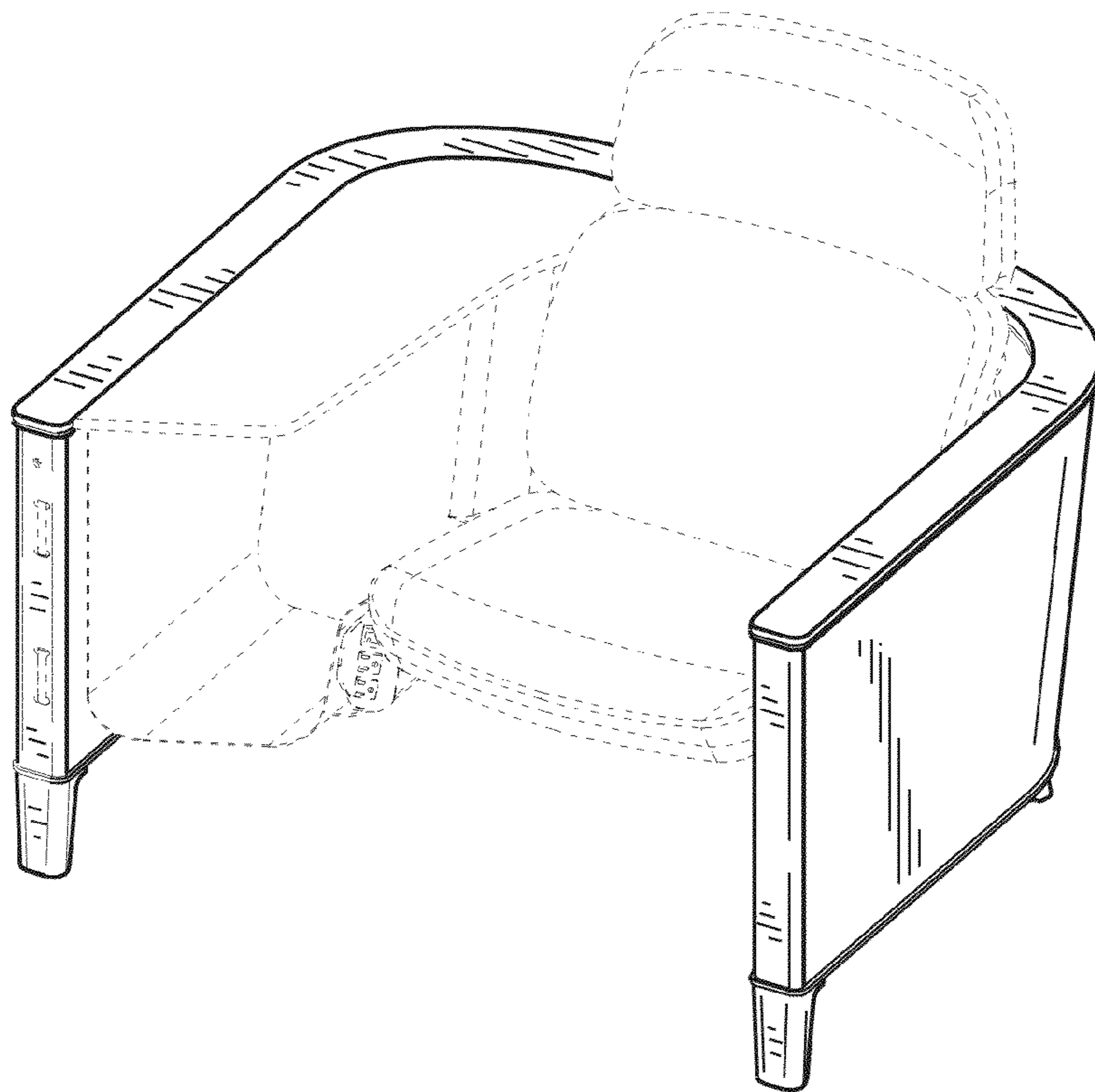


FIG. 1

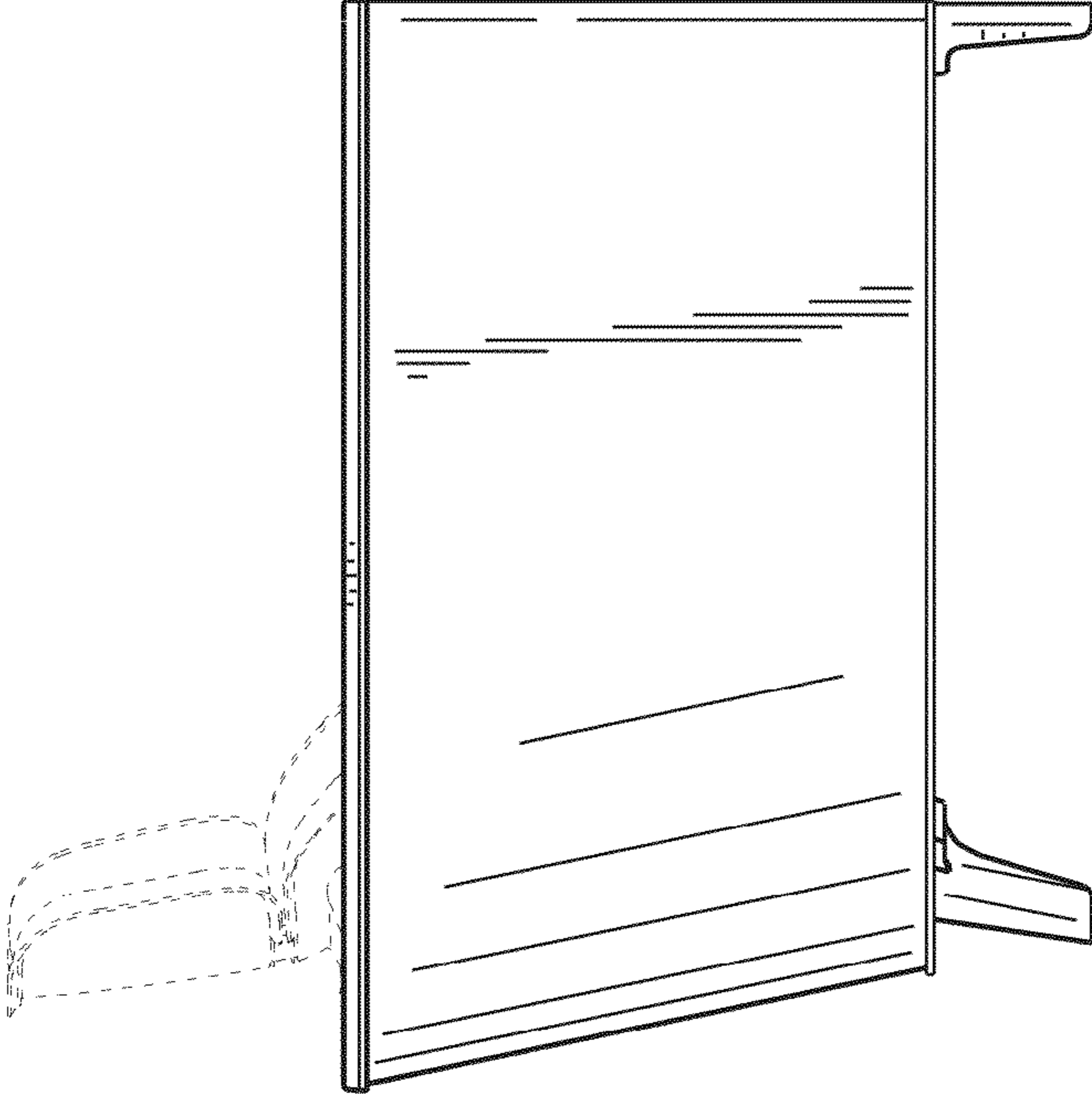


FIG. 3

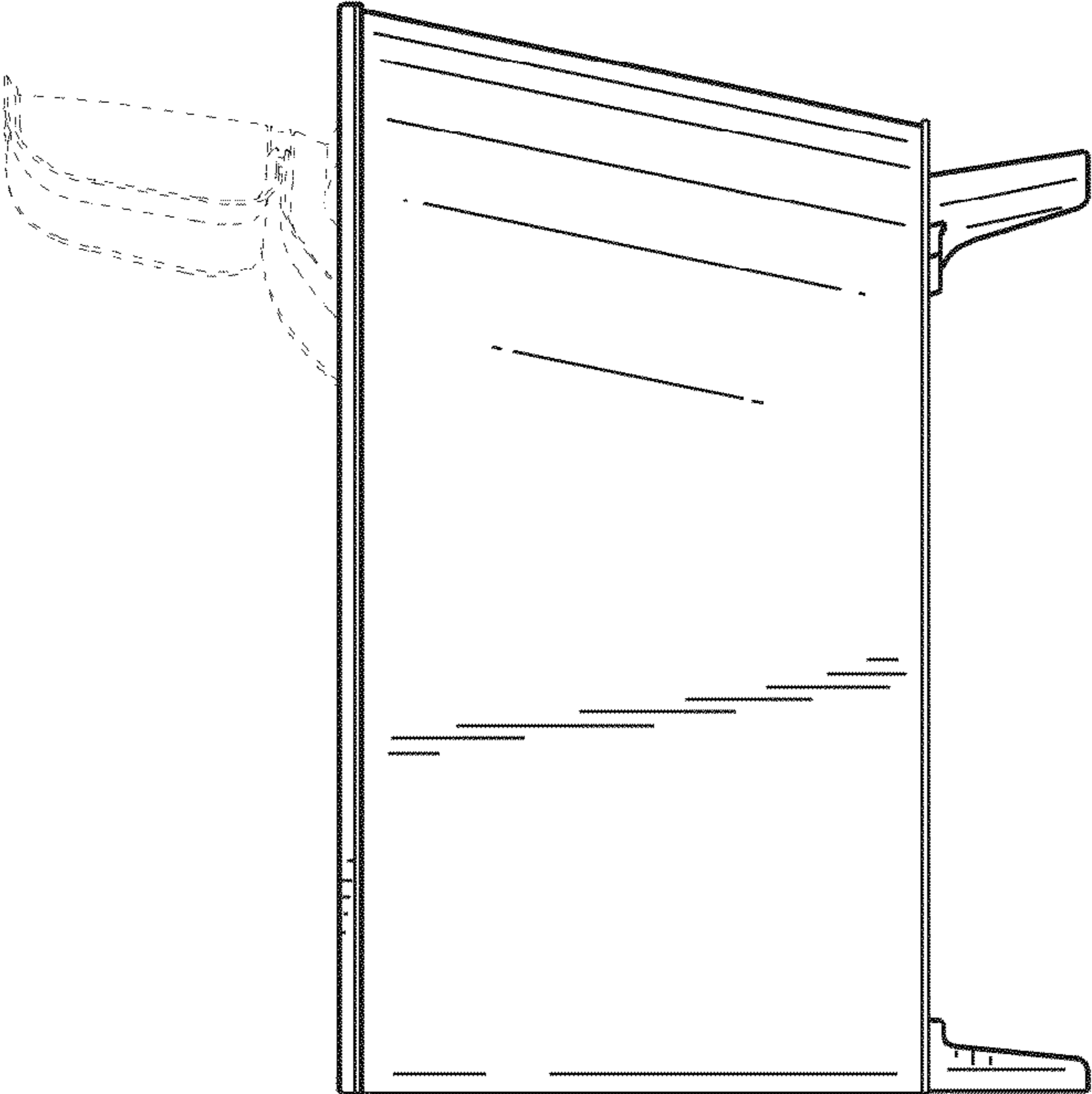


FIG. 2

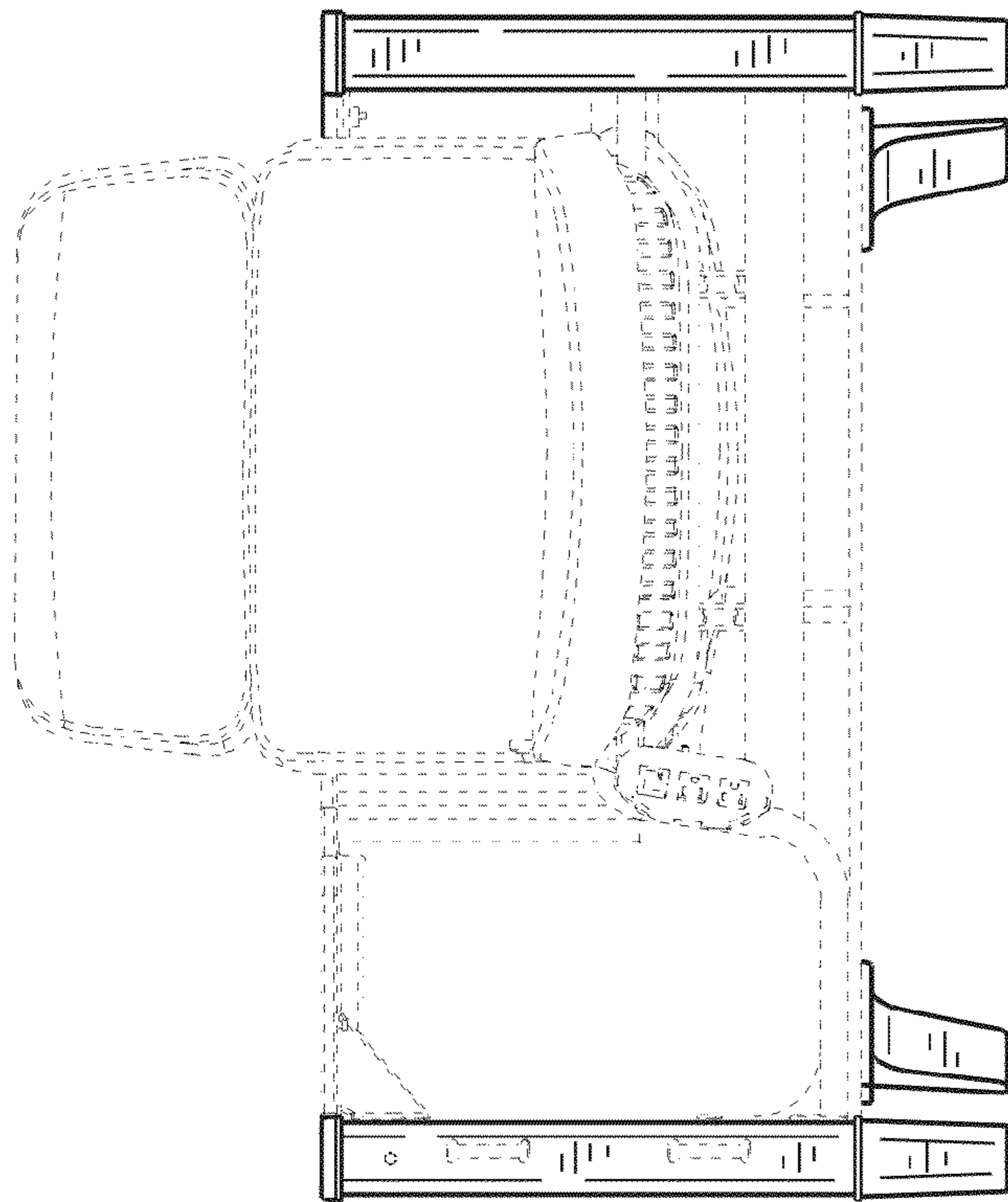


FIG. 4

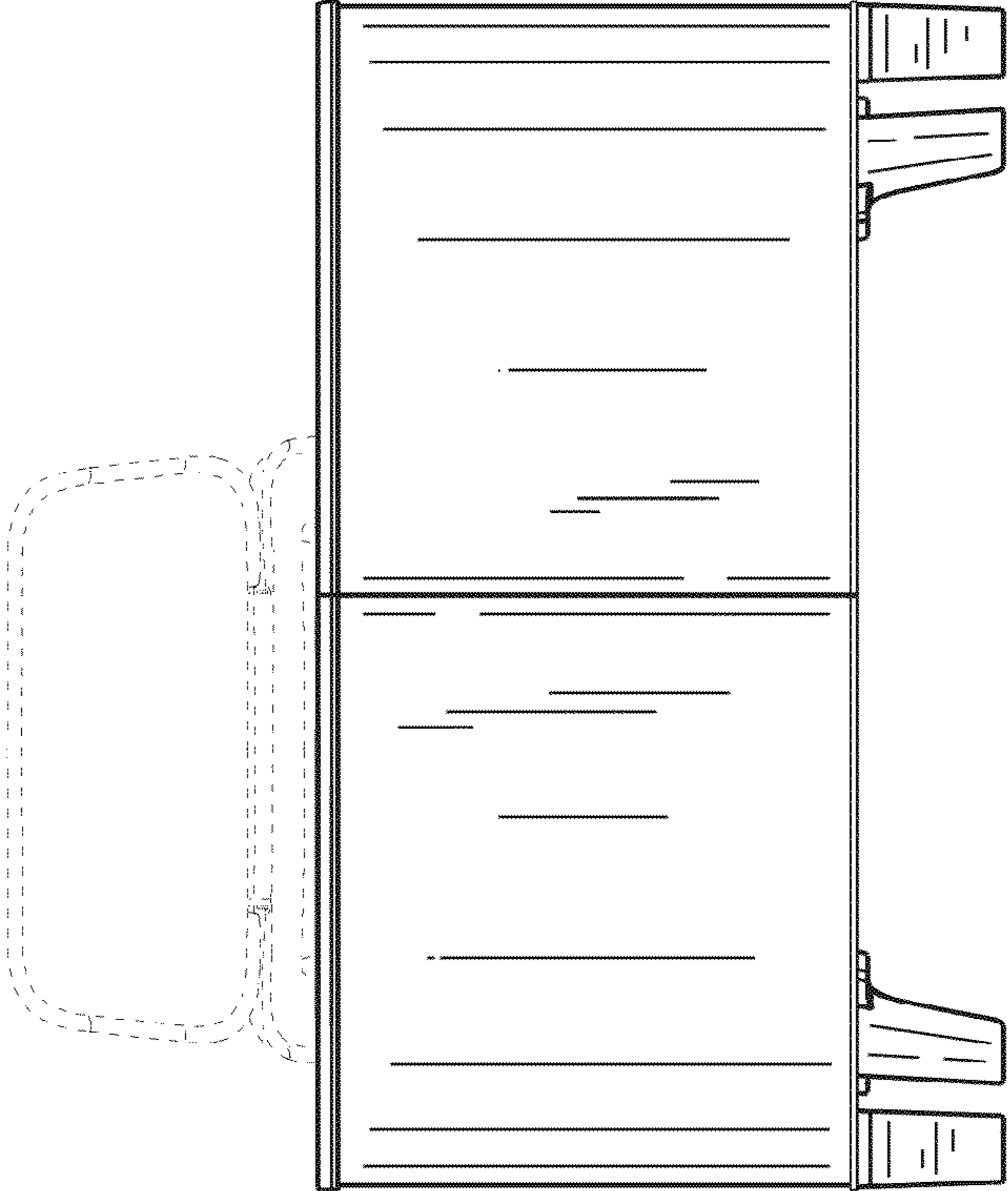


FIG. 5

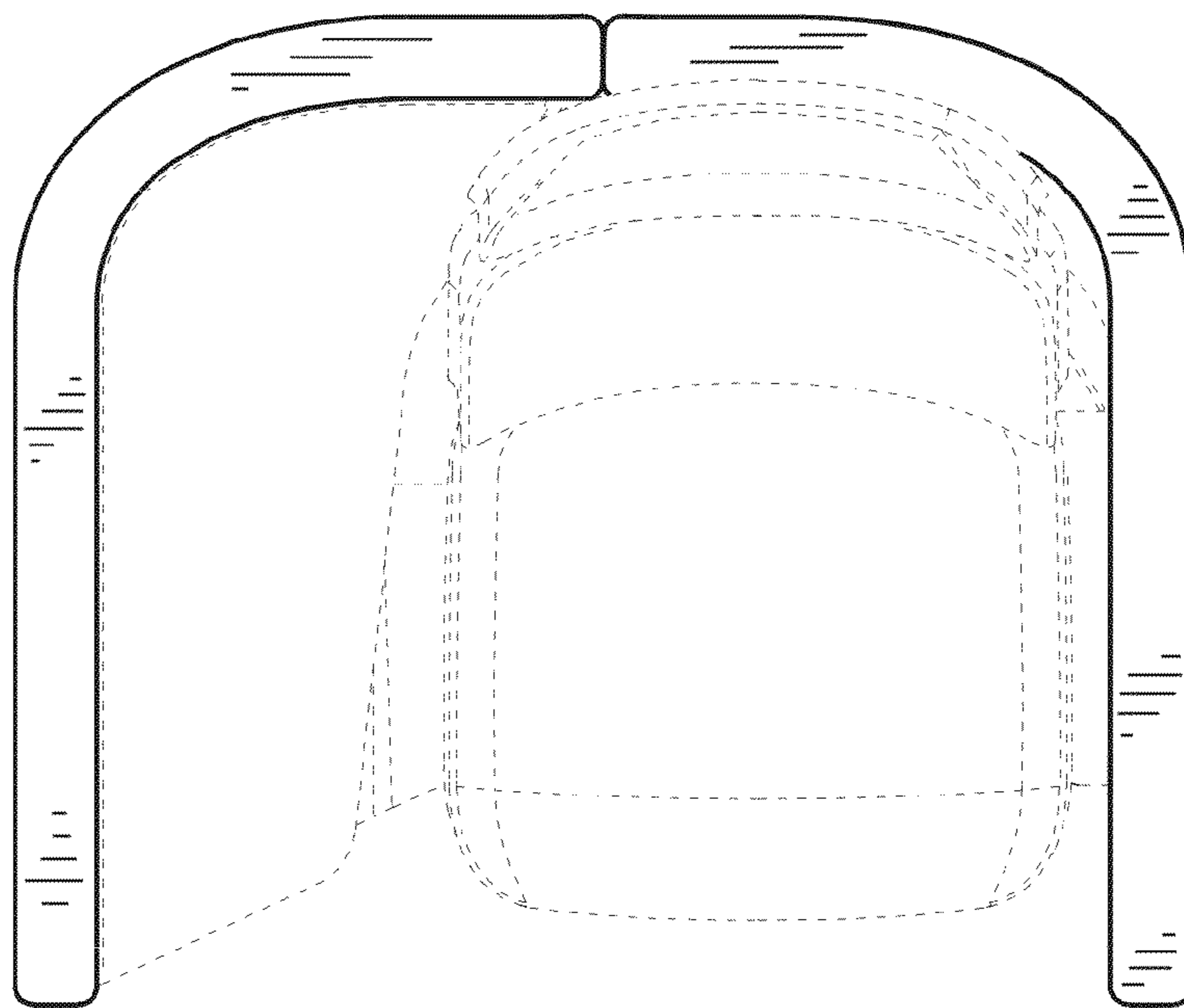


FIG. 6



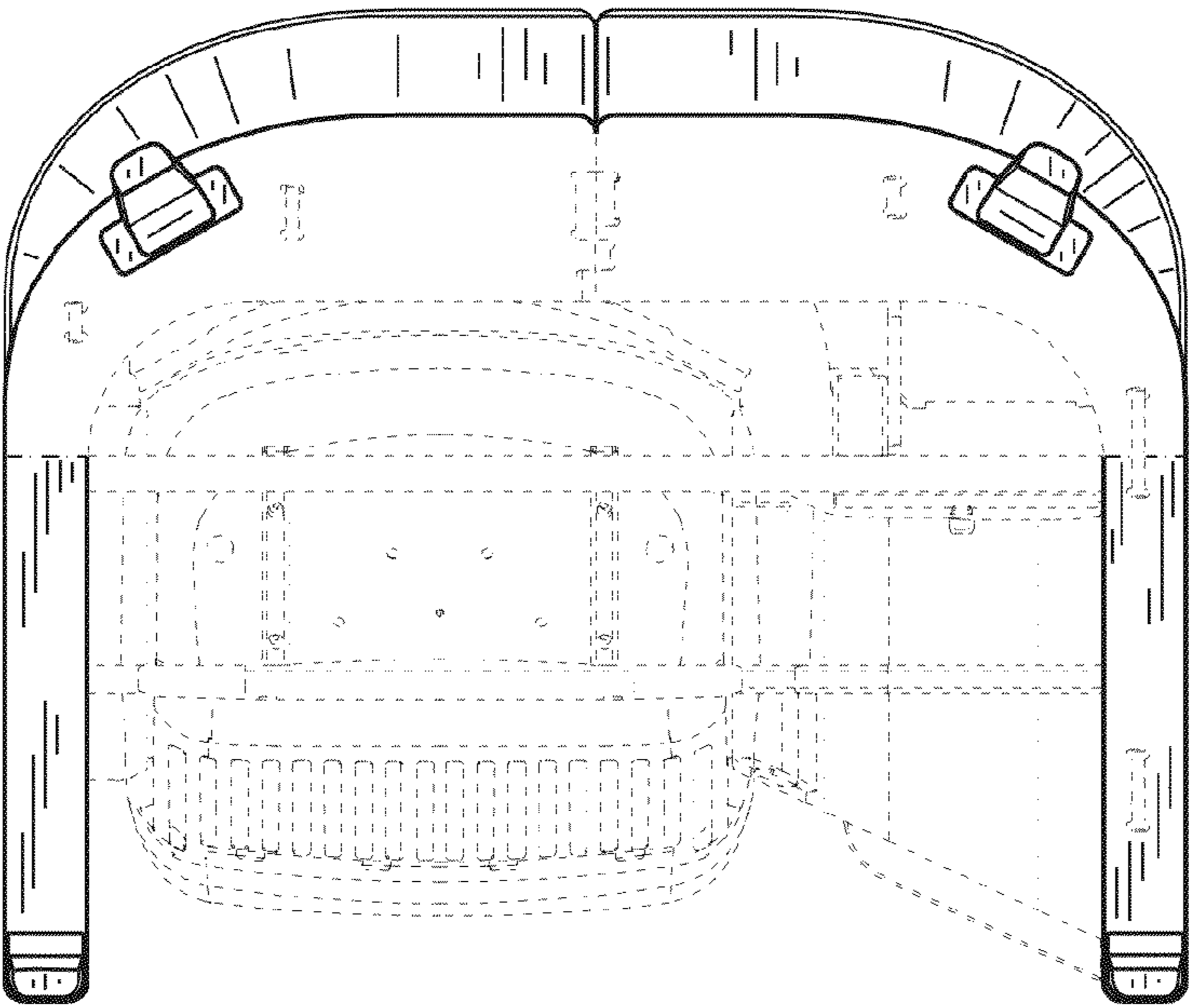


FIG. 7