



US00D758112S

(12) **United States Design Patent**
Ward et al.

(10) **Patent No.:** **US D758,112 S**
(45) **Date of Patent:** **** Jun. 7, 2016**

(54) **DRAWER ORGANIZER**

(71) Applicant: **Rev-A-Shelf Company, LLC**,
Louisville, KY (US)

(72) Inventors: **Kevin M Ward**, Louisville, KY (US);
Bryan Keith Tingle, Shelbyville, KY
(US)

(73) Assignee: **Rev-A-Shelf Company, LLC**,
Louisville, KY (US)

(**) Term: **15 Years**

(21) Appl. No.: **29/529,828**

(22) Filed: **Jun. 10, 2015**

(51) **LOC (10) Cl.** **06-06**

(52) **U.S. Cl.**
USPC **D6/683.1**

(58) **Field of Classification Search**
USPC D6/408, 509–511, 566–567, 574, 672,
D6/675, 675.5, 682, 682.2, 682.4,
D6/683–683.1; 211/59.2–59.3, 90.03,
211/85.31, 85.26, 126.5, 126.9, 134, 153,
211/186–188, 181.1
CPC A47B 63/00; A47B 63/02; A47B 55/02;
A47F 7/0057; A47F 7/0064
See application file for complete search history.

(56) **References Cited**

U.S. PATENT DOCUMENTS

D270,256 S *	8/1983	Sankey	D19/75
D301,590 S *	6/1989	Foran	D19/77
D330,219 S *	10/1992	Carlson	D19/75
D348,692 S *	7/1994	Hou	D19/27
D349,904 S *	8/1994	Arenberg	D14/252
D354,310 S *	1/1995	Crist	D19/75
D397,274 S *	8/1998	Hise	D7/637
D450,453 S *	11/2001	Andujar	D3/306
D477,848 S *	7/2003	Chen	D19/77

D498,499 S *	11/2004	Fynn	D19/75
D531,226 S *	10/2006	Chen	D19/78
D665,843 S *	8/2012	Chuang	D19/75
D713,456 S *	9/2014	Chuang	D19/78
D724,665 S *	3/2015	Woolard	D19/78

OTHER PUBLICATIONS

“Cut-To-Size Insert Peg System for Drawers”, dated Mar. 5, 2015, pp. 1-2, Rev-A-Shelf, available at <http://www.rev-a-shelf.com/p-331-cut-to-size-insert-peg-system-for-drawers.aspx?variant=1245>.
“Urban Loft—Storage Solutions”, dated Mar. 5, 2015, pp. 1-2, Dura Supreme Cabinetry, available at <http://www.houzz.com/photos/1059406/Urban-Loft-Storage-Solutions-contemporary-minneapolis>.

* cited by examiner

Primary Examiner — Kelley Donnelly

(74) Attorney, Agent, or Firm — Brinks Gilson & Lione

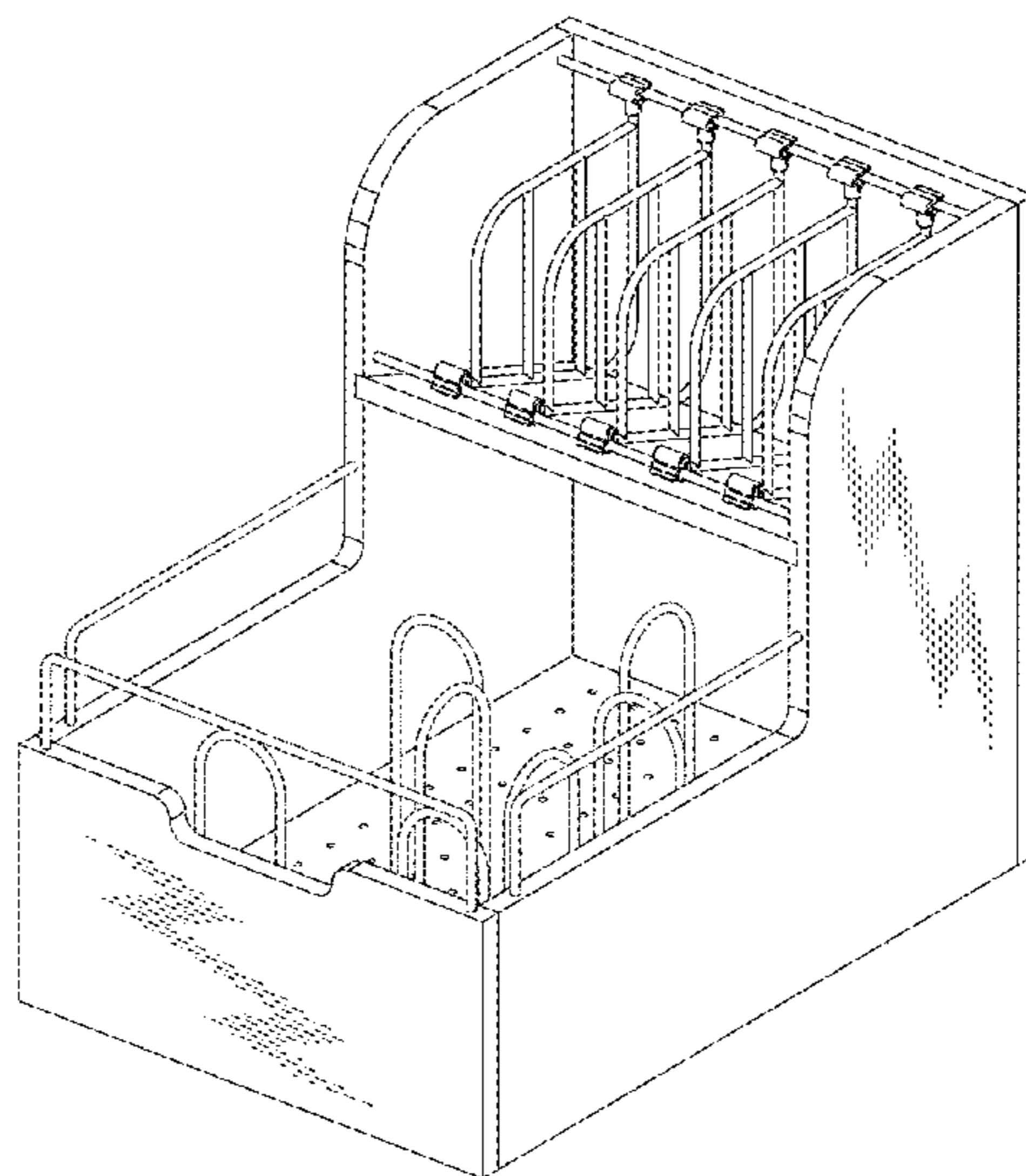
(57) **CLAIM**

We claim the ornamental design for a drawer organizer, as shown and described.

DESCRIPTION

FIG. 1 is a front perspective view of the drawer organizer. FIG. 2 is a right side elevation view of the drawer organizer of FIG. 1. FIG. 3 is a front elevation view of the drawer organizer of FIG. 1. FIG. 4 is a back elevation view of the drawer organizer of FIG. 1. FIG. 5 is a top plan view of the drawer organizer of FIG. 1; and, FIG. 6 is a bottom plan view of the drawer organizer of FIG. 1. The left side elevation view is the same as the right side elevation view of FIG. 2. The broken lines are included in the figures for the purpose of illustrating non-claimed subject matter and form no part of the claimed design.

1 Claim, 6 Drawing Sheets



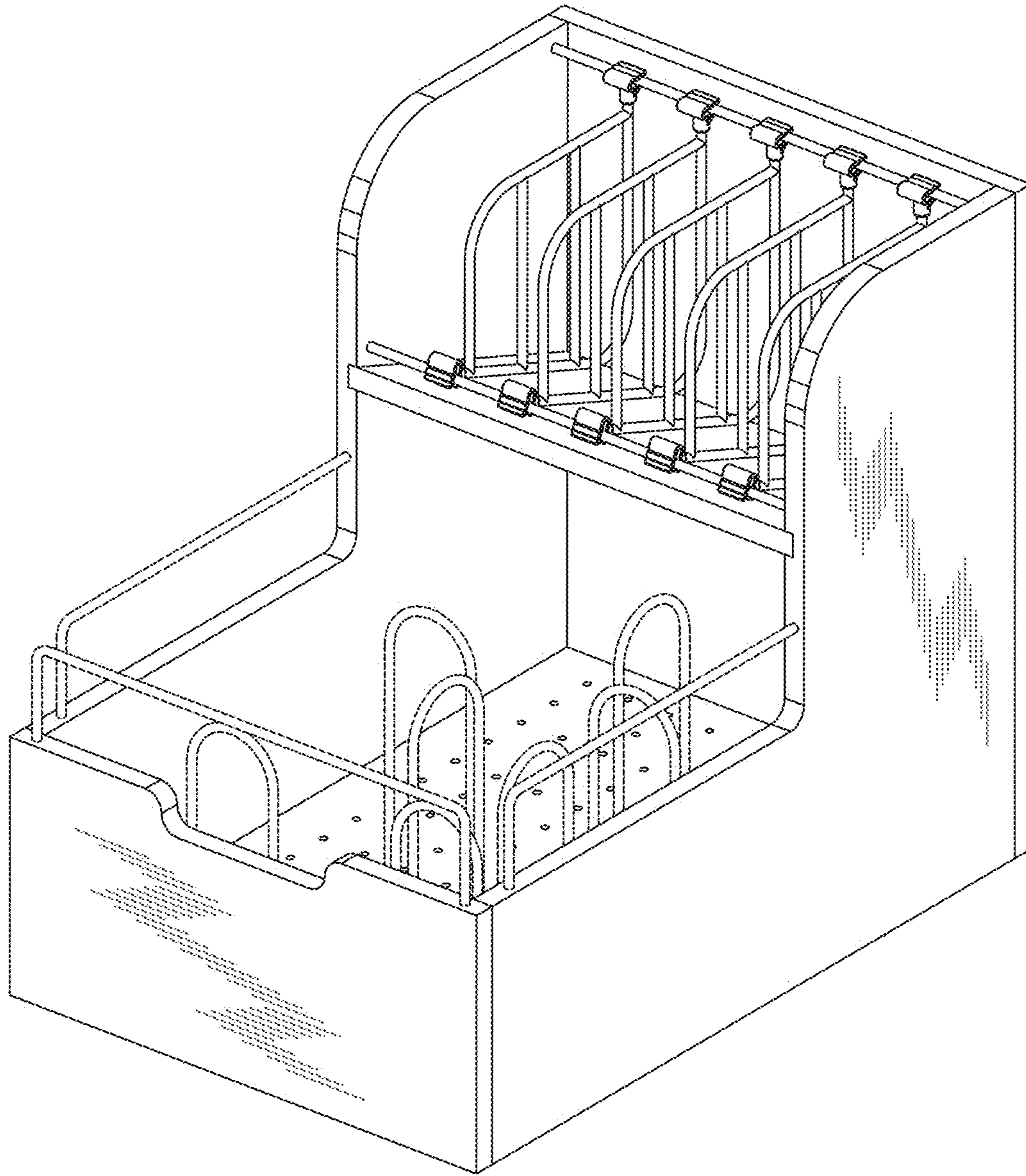


Fig. 1

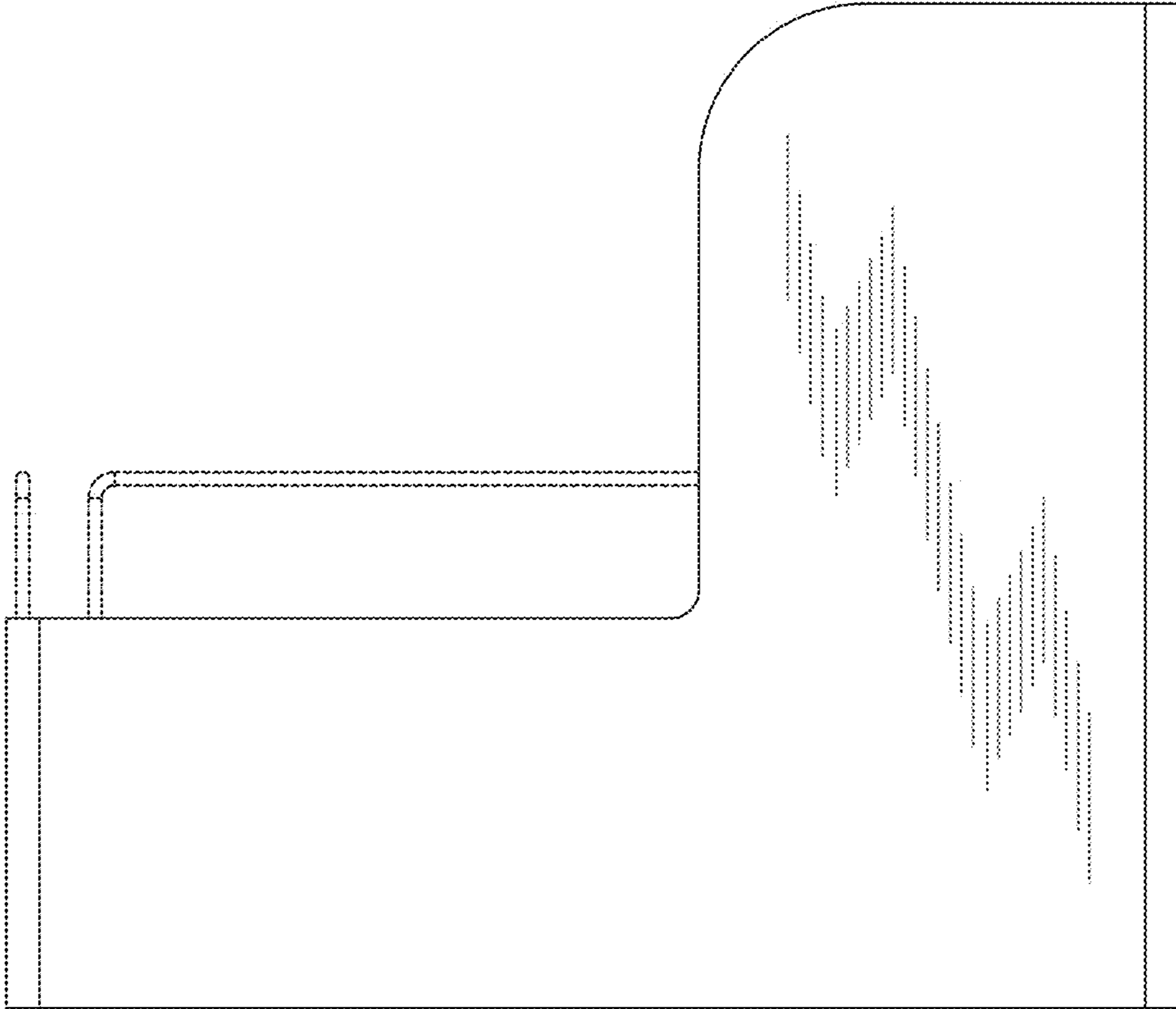


Fig. 2

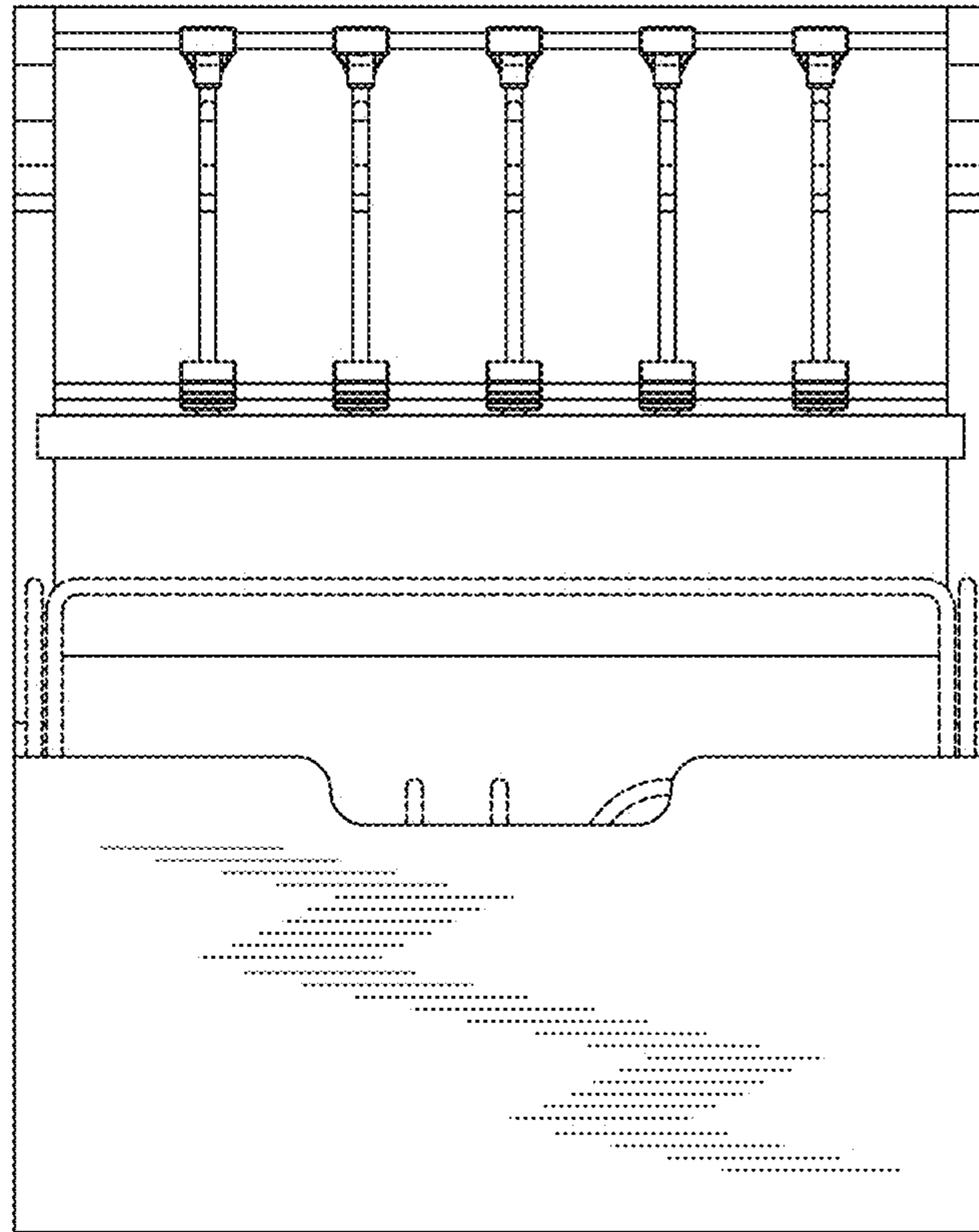


Fig. 3

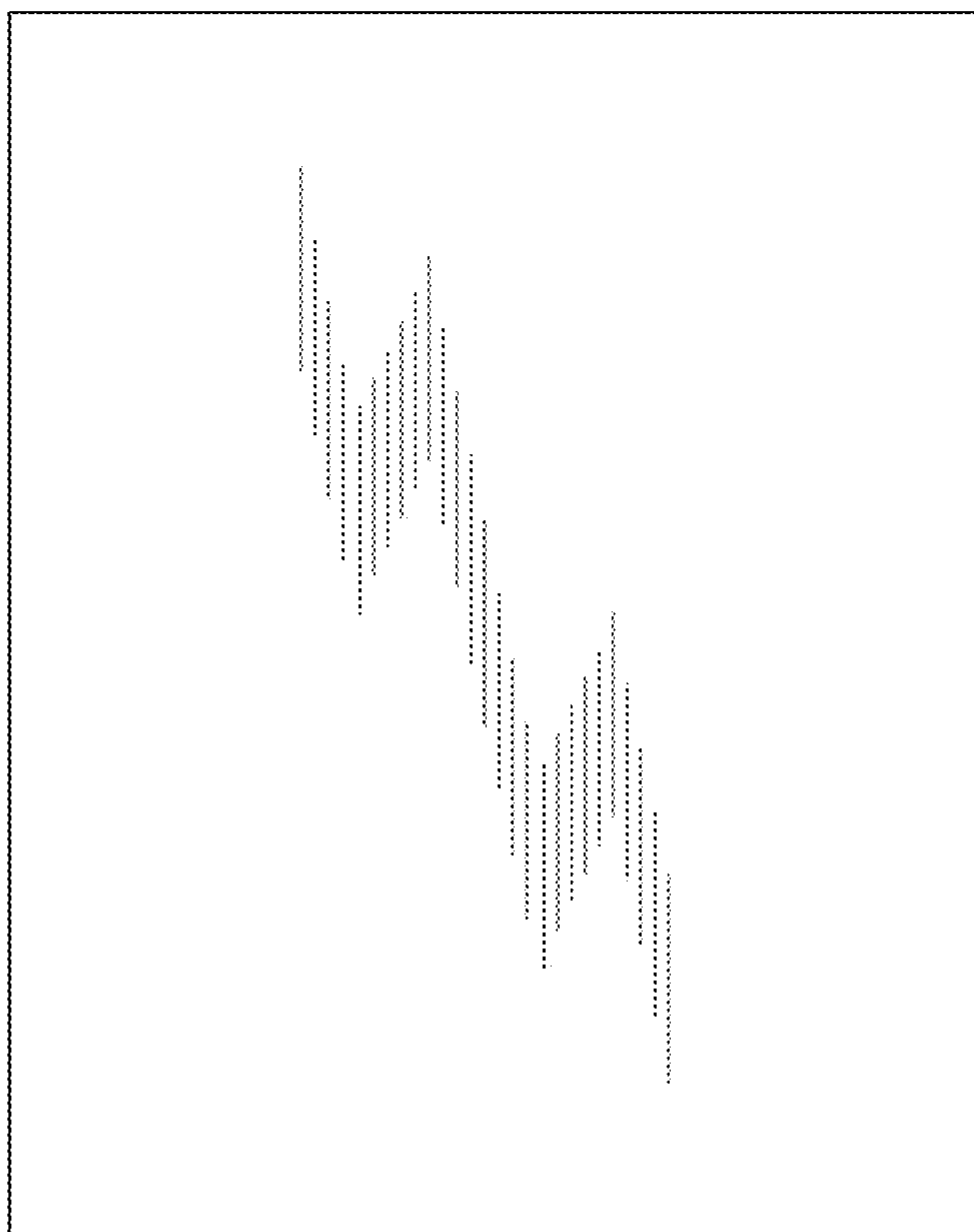


Fig. 4

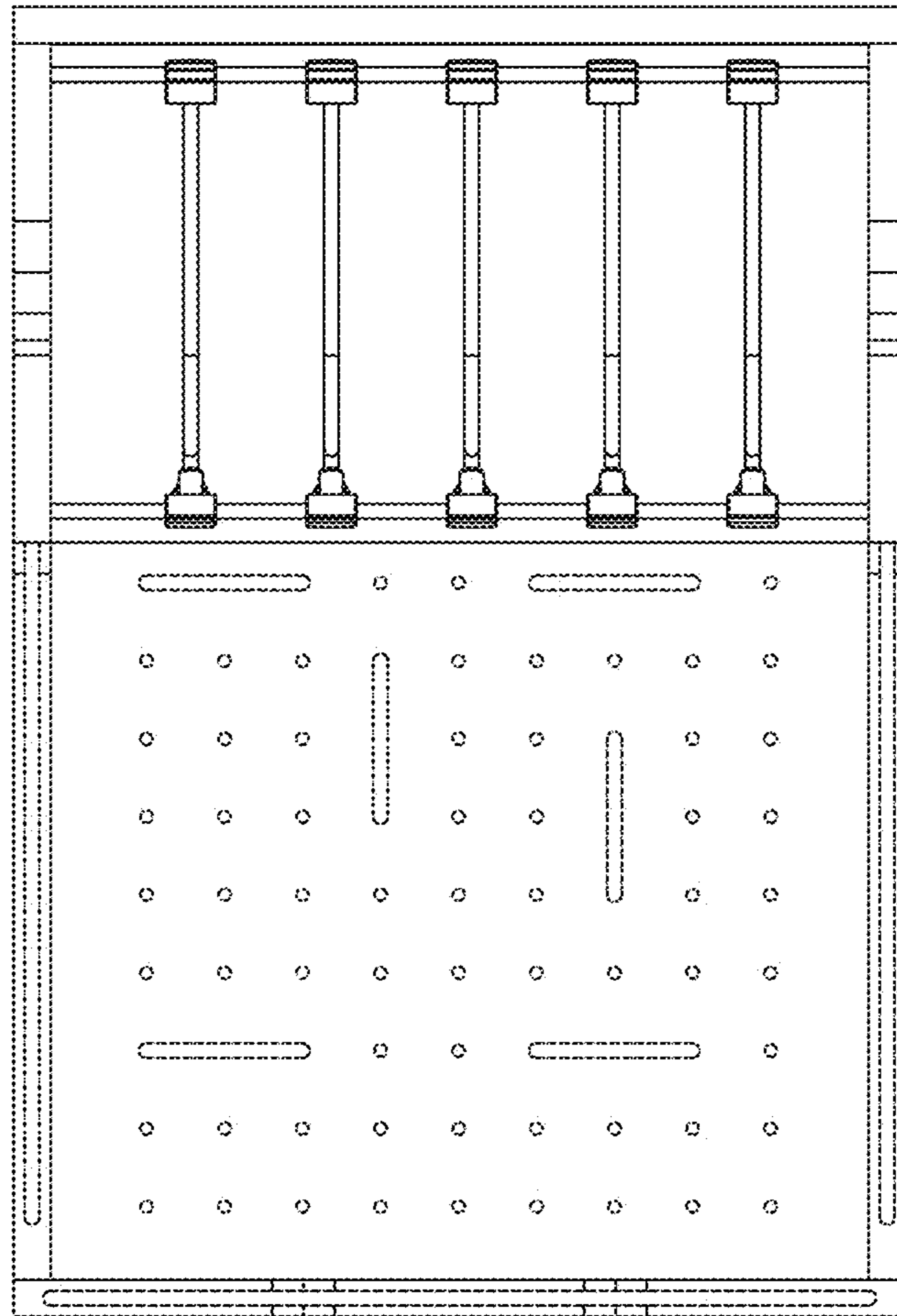


Fig. 5

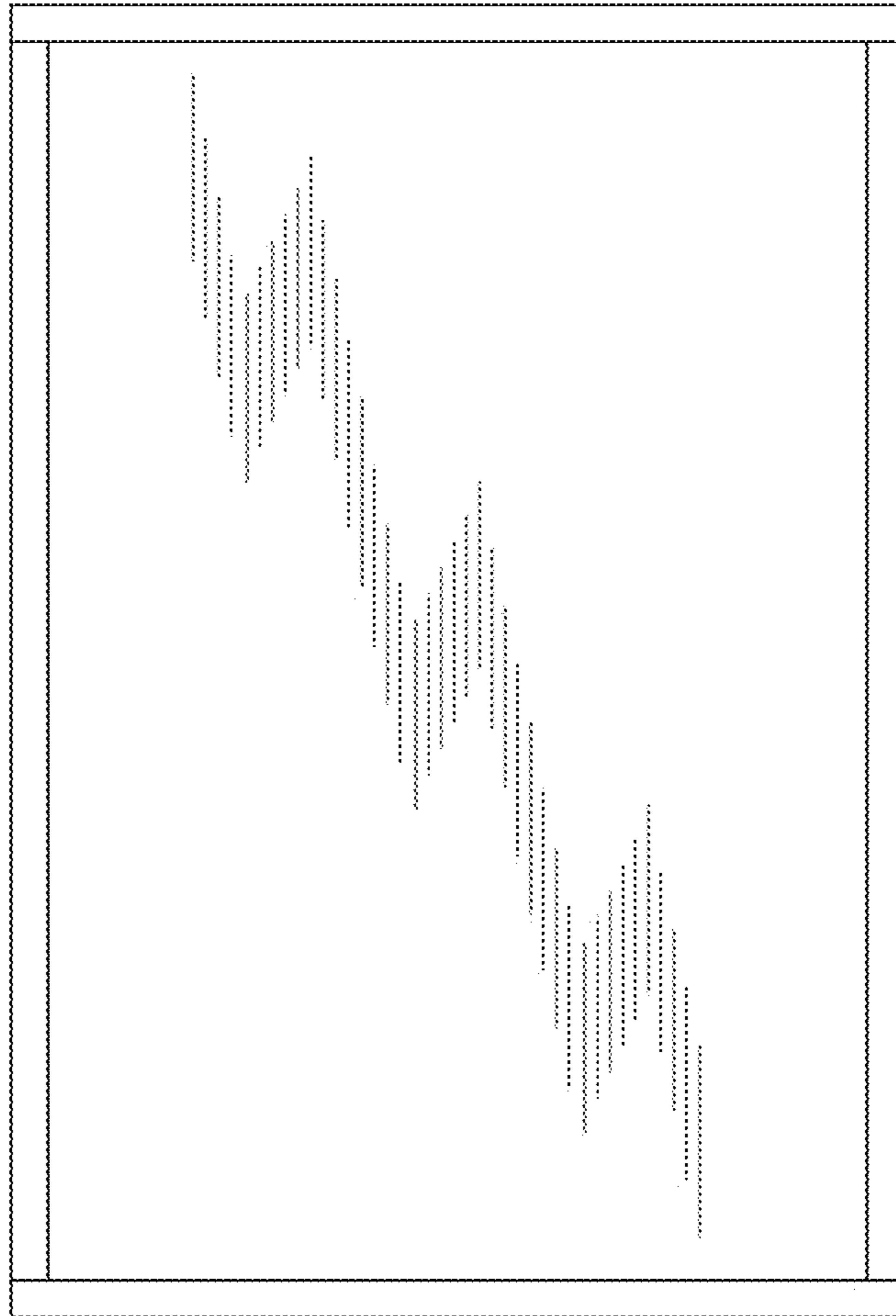


Fig. 6