



US00D758111S

(12) **United States Design Patent**
Shannon

(10) **Patent No.:** **US D758,111 S**
(45) **Date of Patent:** **** Jun. 7, 2016**

(54) **SUPPORT DEVICE**

(71) Applicant: **Eric Shannon**, Boulder, CO (US)

(72) Inventor: **Eric Shannon**, Boulder, CO (US)

(73) Assignee: **HEALTH SAVVY, LLC.**, Boulder, CO (US)

(**) Term: **14 Years**

(21) Appl. No.: **29/500,320**

(22) Filed: **Aug. 25, 2014**

Related U.S. Application Data

(63) Continuation-in-part of application No. 29/490,339, filed on May 8, 2014.

(51) **LOC (10) Cl.** **06-06**

(52) **U.S. Cl.**
USPC **D6/682.4**

(58) **Field of Classification Search**
USPC D3/254, 257, 259, 269; D6/382, D6/672-673, 675, 682, 682.1, 682.4
CPC B65D 13/00; B65D 37/00; B65D 85/00
See application file for complete search history.

(56) **References Cited**

U.S. PATENT DOCUMENTS

D367,329	S *	2/1996	Nelson	D25/118
6,050,044	A *	4/2000	McIntosh	A63H 33/086
					446/124
7,168,210	B2 *	1/2007	Krovats	E04D 13/12
					52/167.1
D542,405	S *	5/2007	Esjunin	D23/422
D557,795	S *	12/2007	Esjunin	D23/422
D616,046	S *	5/2010	Hwang	D21/501
D625,678	S *	10/2010	Heinz	D12/217

(Continued)

Primary Examiner — Kelley Donnelly

(57) **CLAIM**

I claim the ornamental design for support device, as shown and described.

DESCRIPTION

FIG. 1 is top perspective view of a first embodiment of my support device.

FIG. 2 is a top plan view of FIG. 1.

FIG. 3 is a bottom plan view of FIG. 1.

FIG. 4 is a front elevation view of FIG. 1.

FIG. 5 is a rear elevation view of FIG. 1.

FIG. 6 is a right side elevation view of FIG. 1, a left side elevation view being identical.

FIG. 7 is a top perspective view of a second embodiment of my support device;

FIG. 8 is a top plan view of FIG. 7.

FIG. 9 is a bottom plan view of FIG. 7.

FIG. 10 is a front elevation view of FIG. 7.

FIG. 11 is a rear elevation view of FIG. 7.

FIG. 12 is a right side elevation view of FIG. 7, a left side elevation view being identical.

FIG. 13 is a top perspective view of a third embodiment of my support device.

FIG. 14 is a top plan view of FIG. 13.

FIG. 15 is a bottom plan view of FIG. 13.

FIG. 16 is a front elevation view of FIG. 13.

FIG. 17 is a rear elevation view of FIG. 13.

FIG. 18 is a right side elevation view of FIG. 13, a left side elevation view being identical.

FIG. 19 is a top perspective view of a fourth embodiment of my support device;

FIG. 20 is a top plan view of FIG. 19.

FIG. 21 is a bottom plan view of FIG. 19.

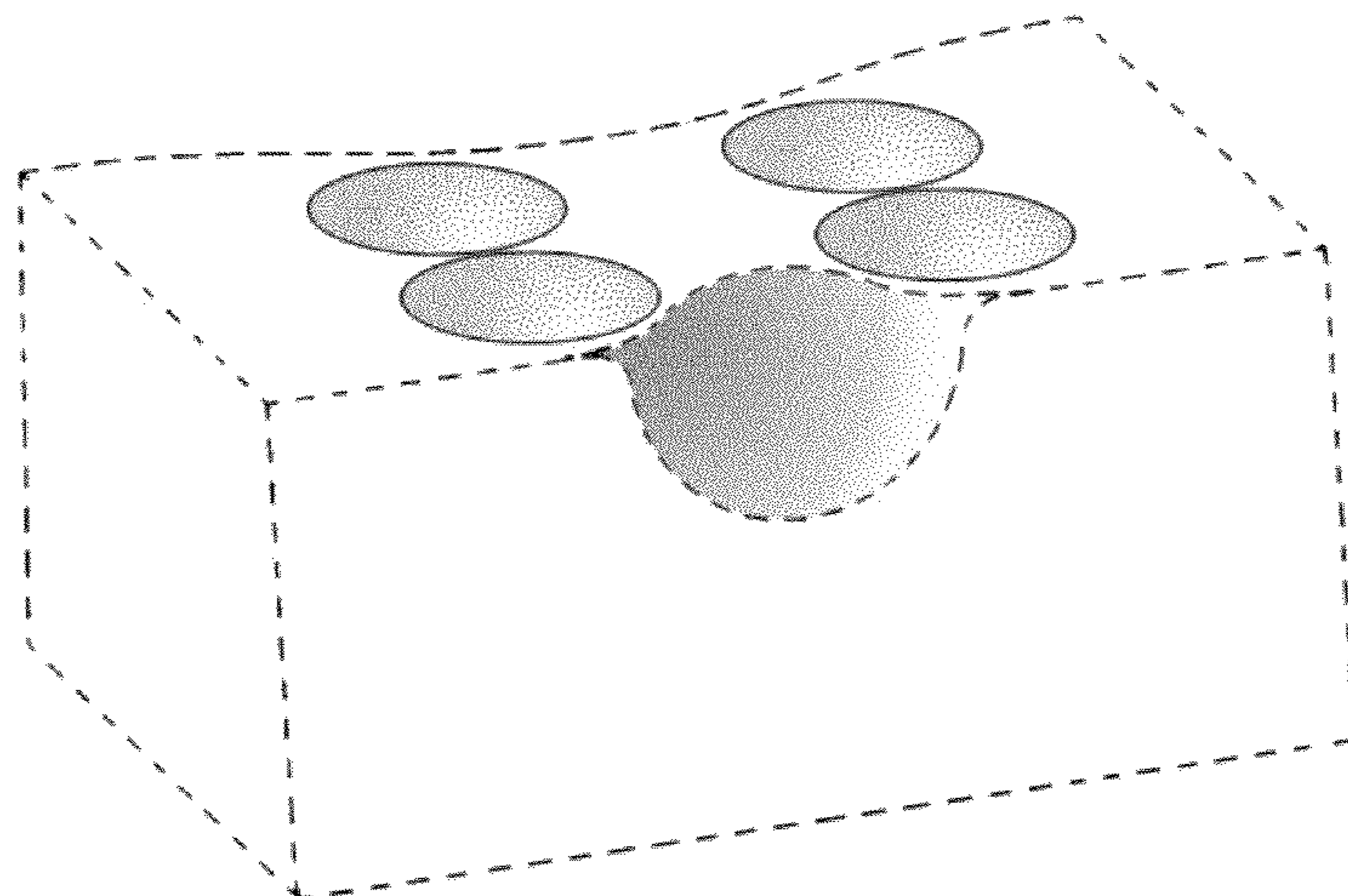
FIG. 22 is a front elevation view of FIG. 19.

FIG. 23 is a rear elevation view of FIG. 19; and,

FIG. 24 is a right side elevation view of FIG. 19, a left side elevation view being identical.

The broken lines are for the purposes of illustrating the environment of the design only and form no part of the claimed design.

1 Claim, 4 Drawing Sheets



US D758,111 S

Page 2

(56)

References Cited

U.S. PATENT DOCUMENTS

7,866,093 B2 * 1/2011 Krovats E04D 13/12
52/24
D642,694 S * 8/2011 Sharps D24/183
D649,253 S * 11/2011 Held D24/183

D677,669 S * 3/2013 Liu D14/447
D691,222 S * 10/2013 Sterios D21/686
D692,393 S * 10/2013 Hillman D13/102
D716,893 S * 11/2014 Todd D21/796
D738,711 S * 9/2015 Tally D8/380

* cited by examiner

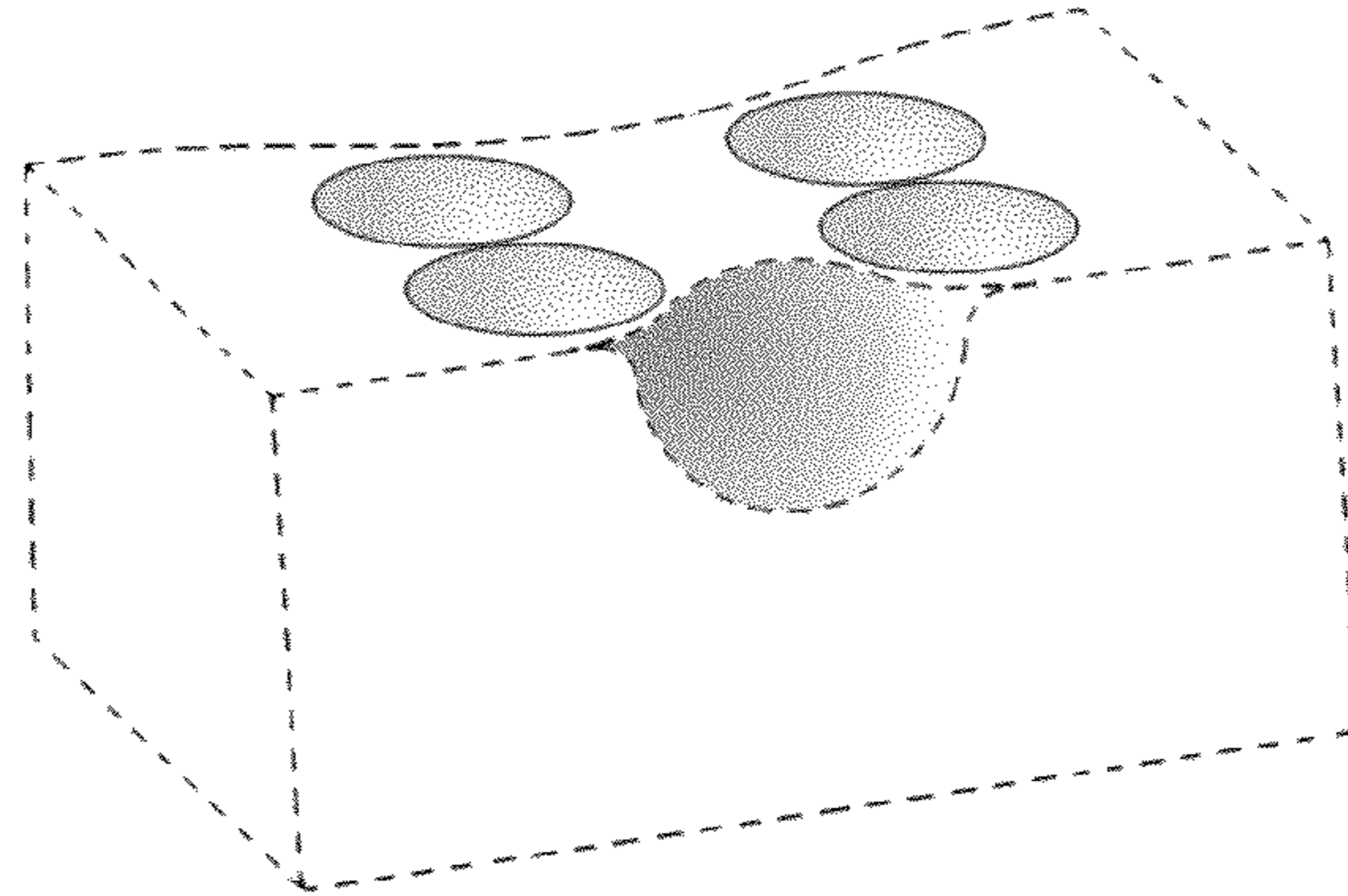


FIG. 1

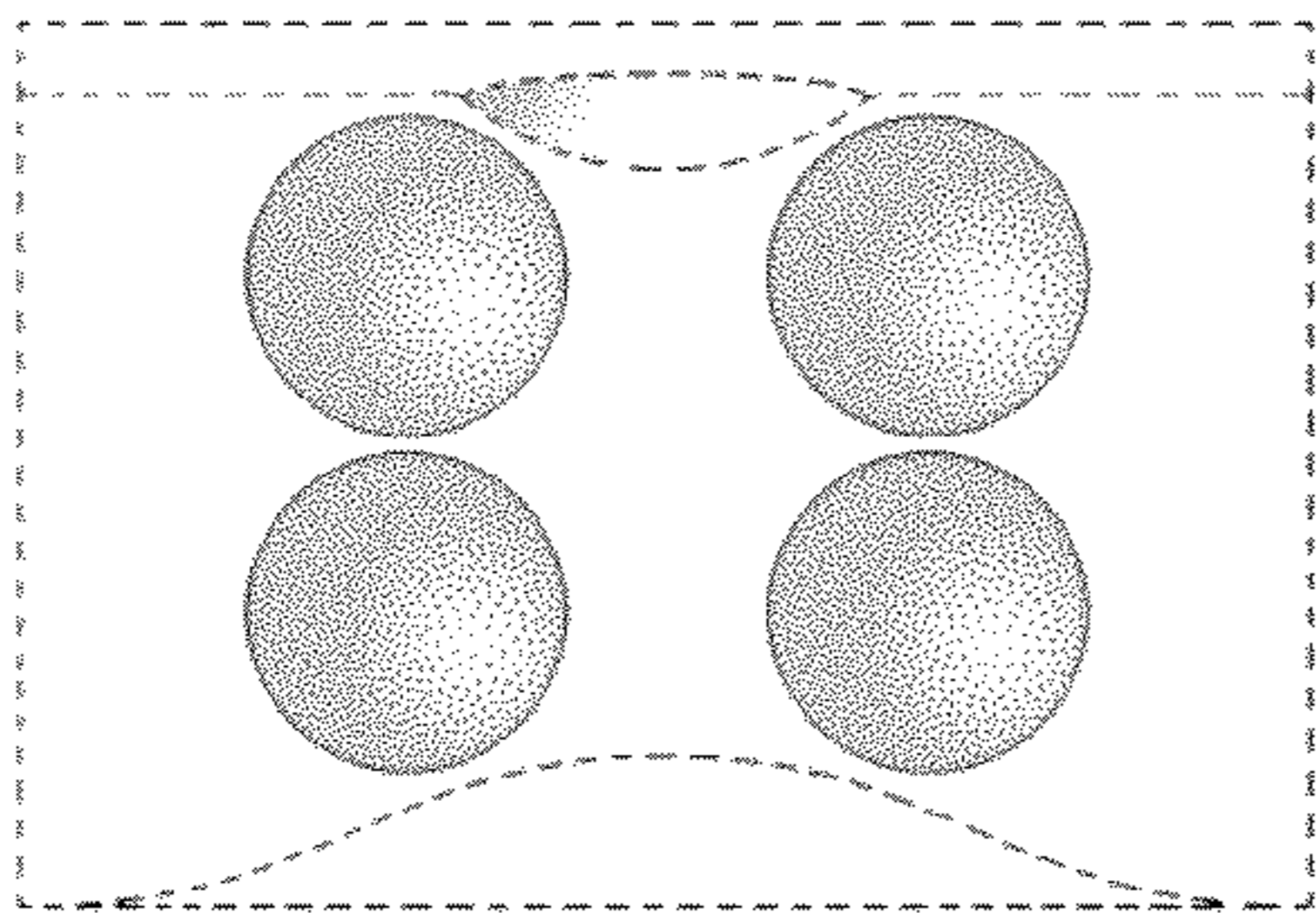


FIG. 2



FIG. 3

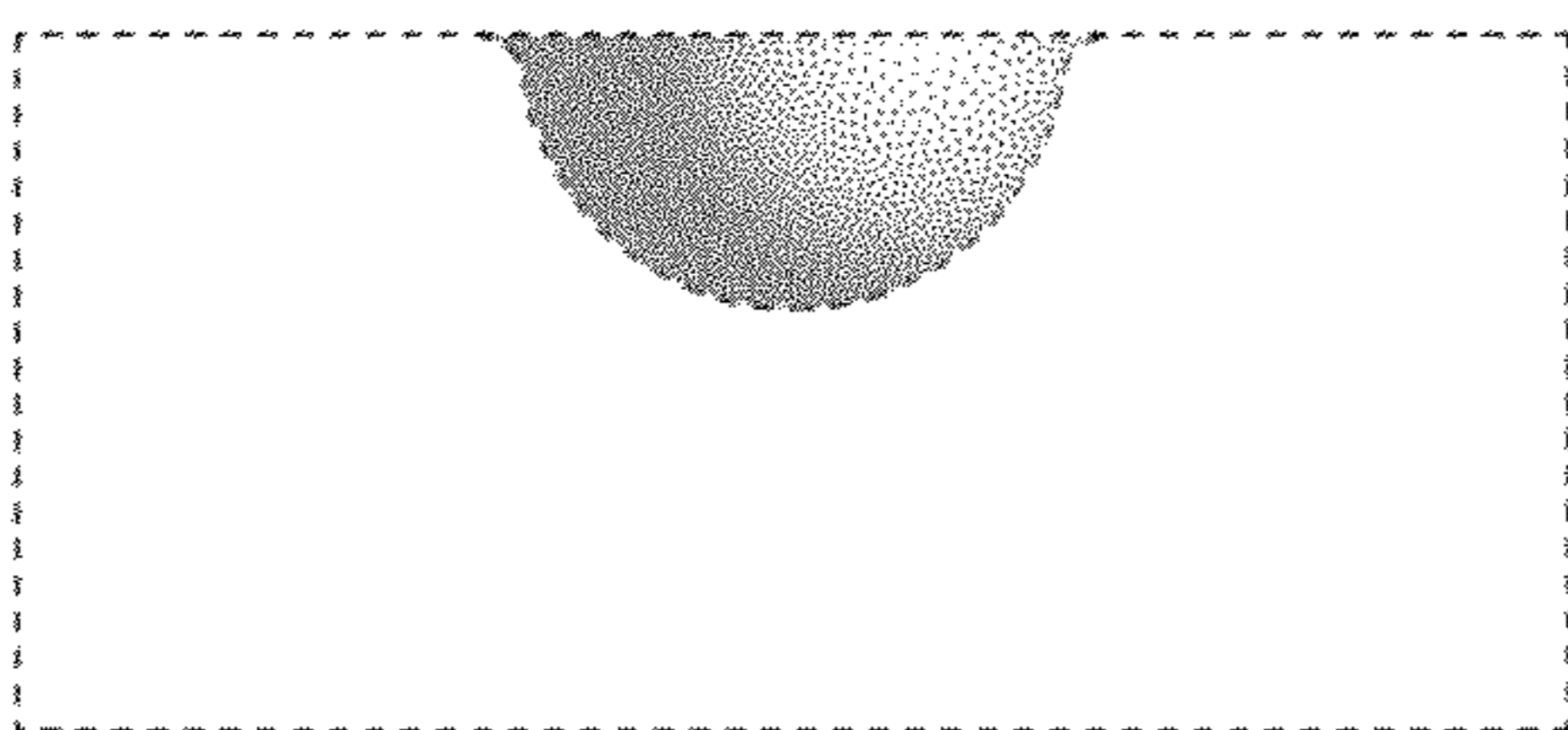


FIG. 4

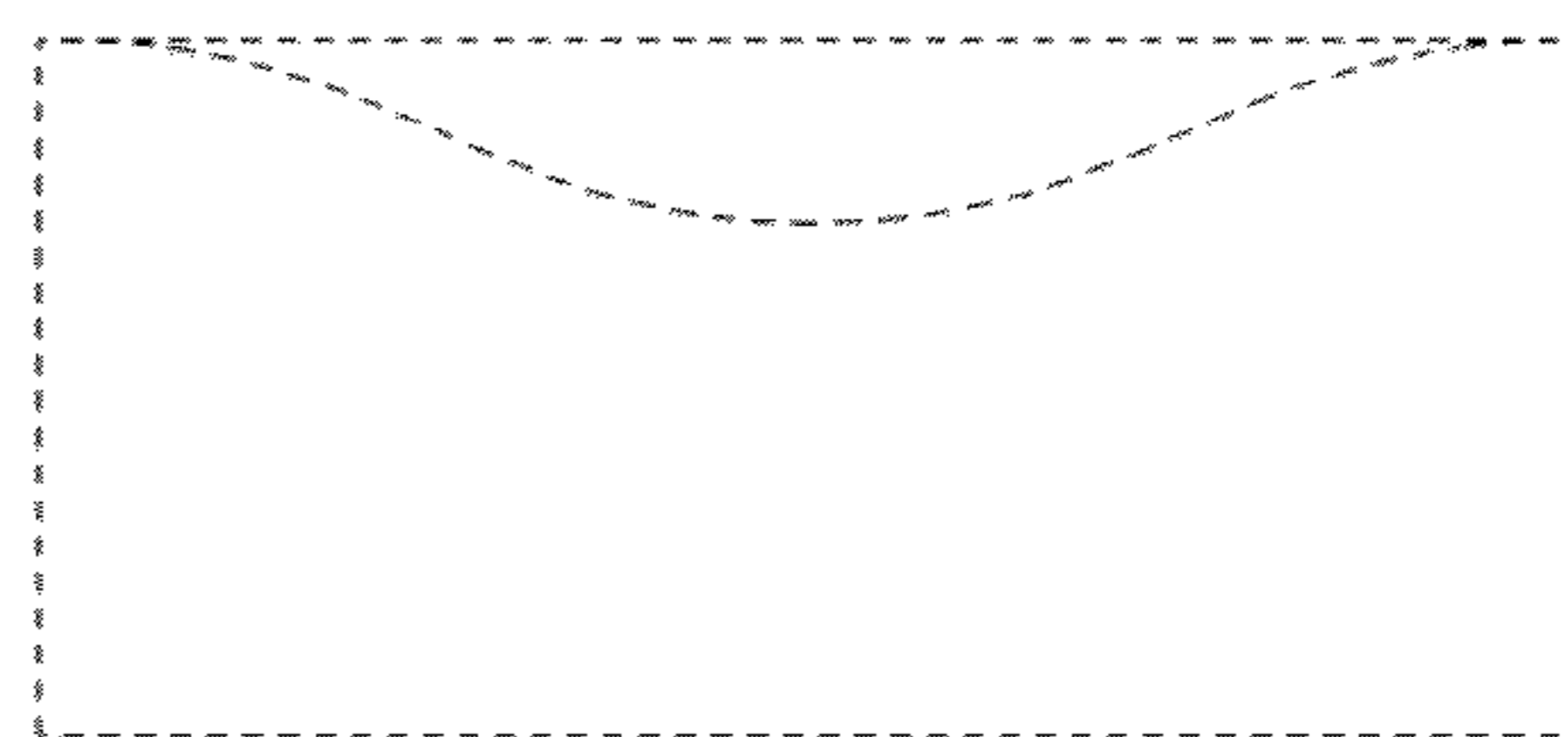


FIG. 5



FIG. 6

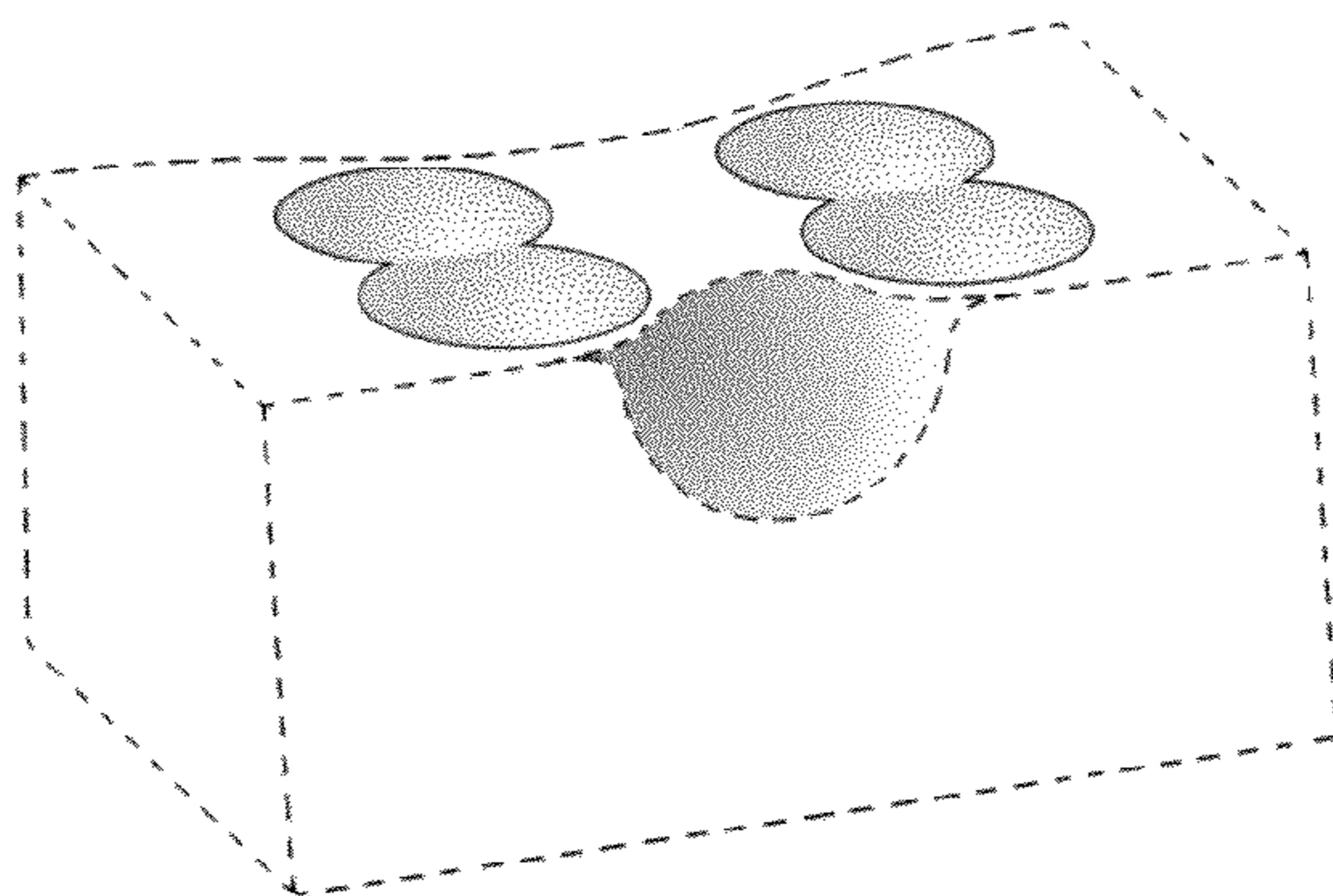


FIG. 7

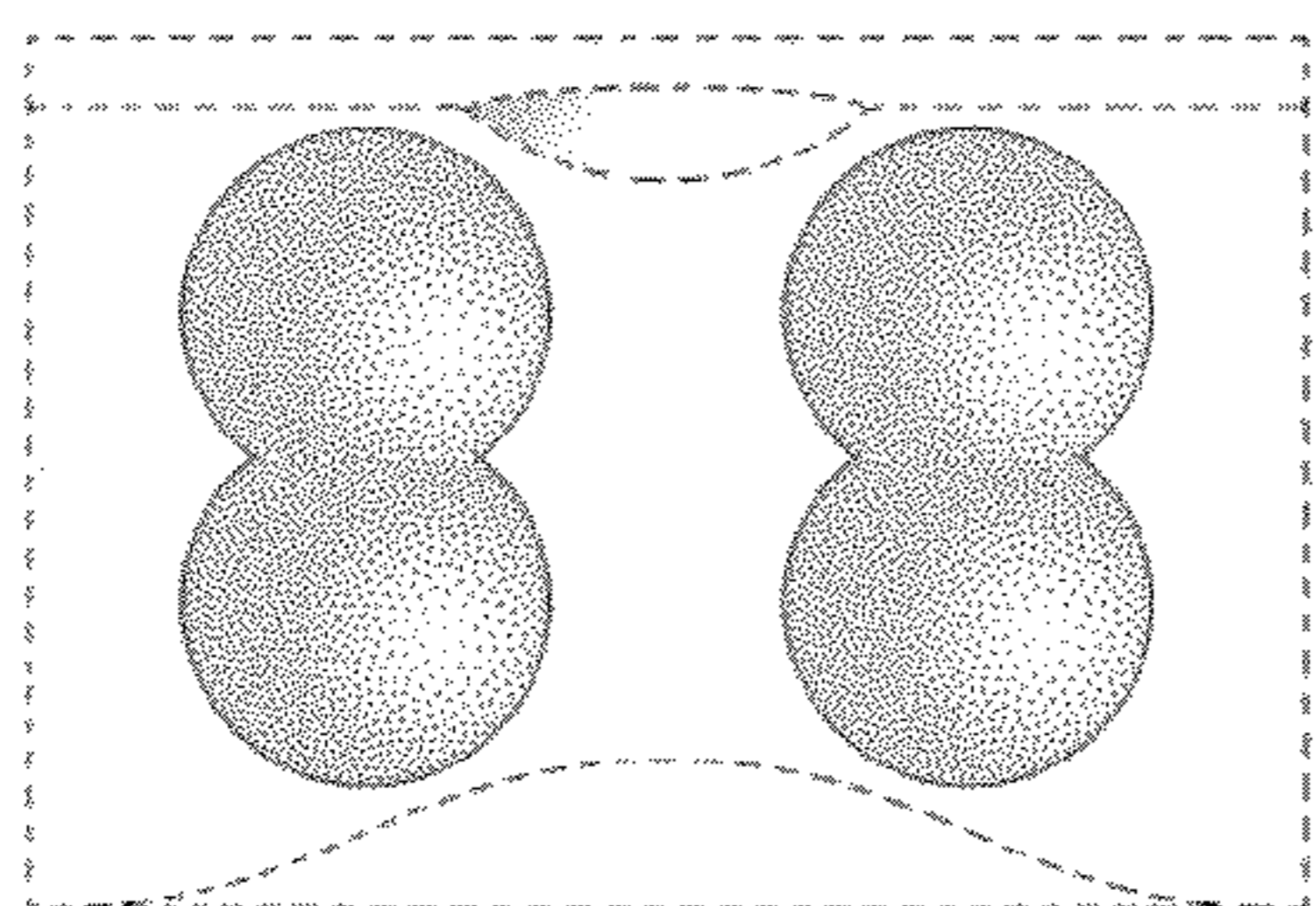


FIG. 8



FIG. 9

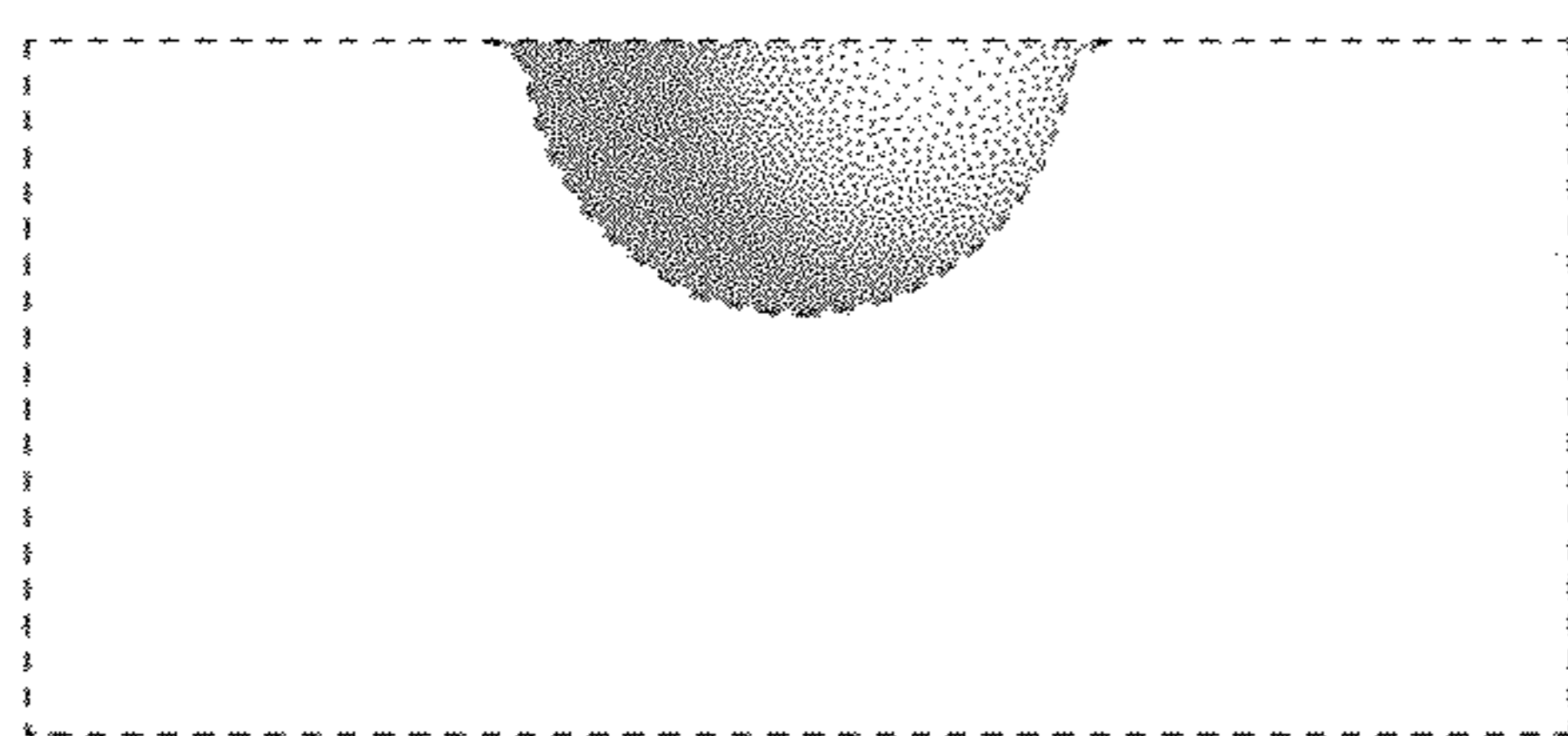


FIG. 10



FIG. 11



FIG. 12

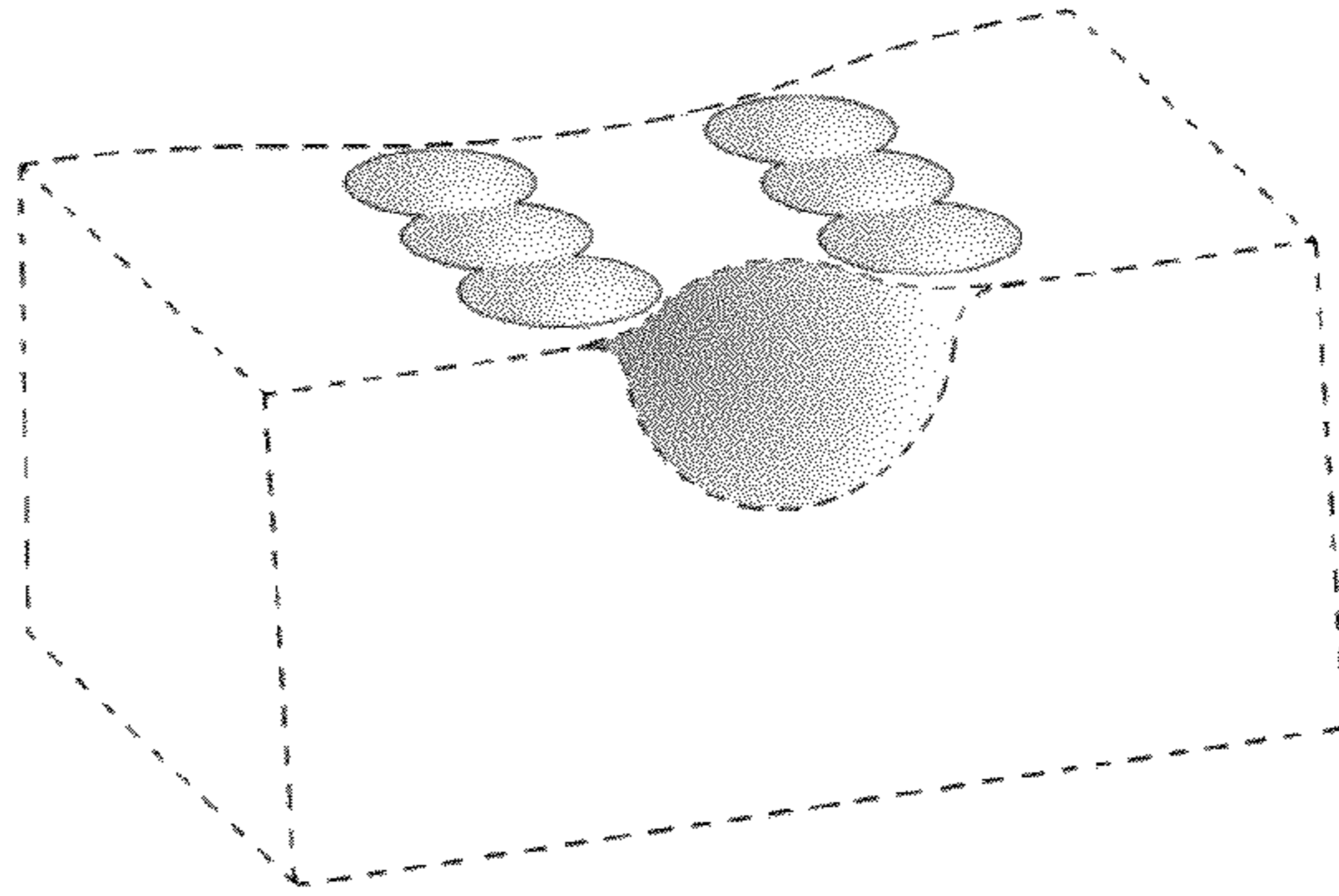


FIG. 13

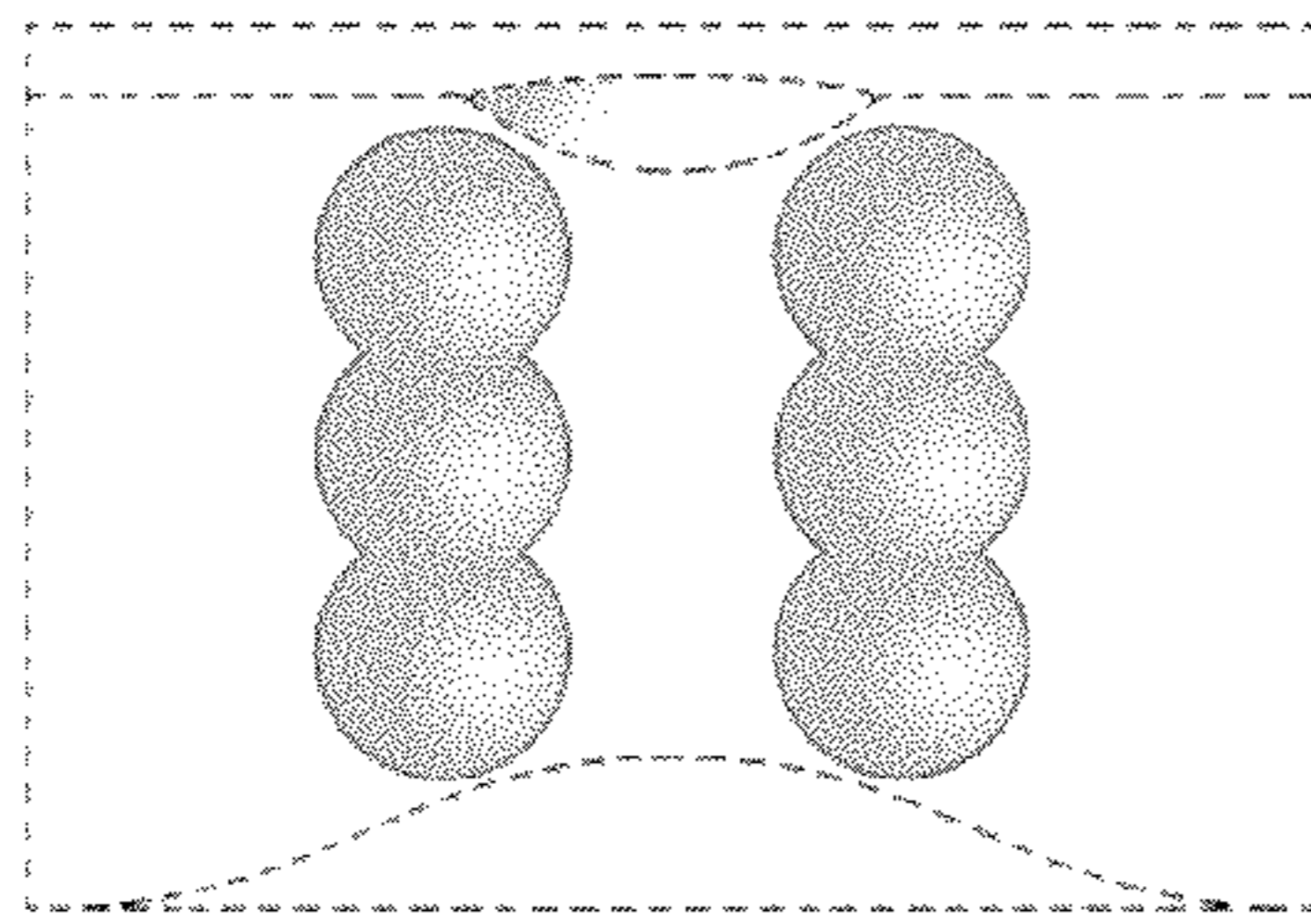


FIG. 14



FIG. 15

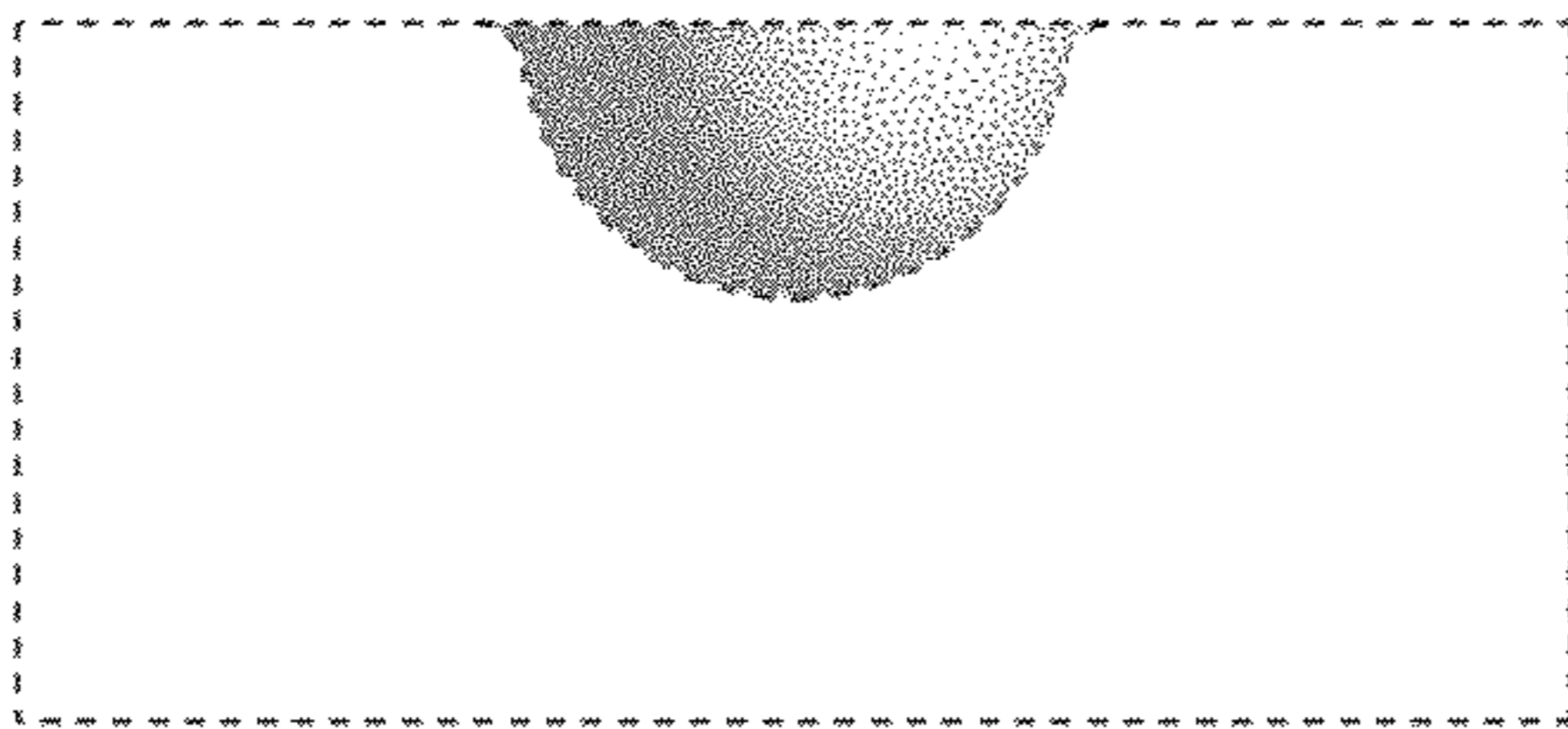


FIG. 16

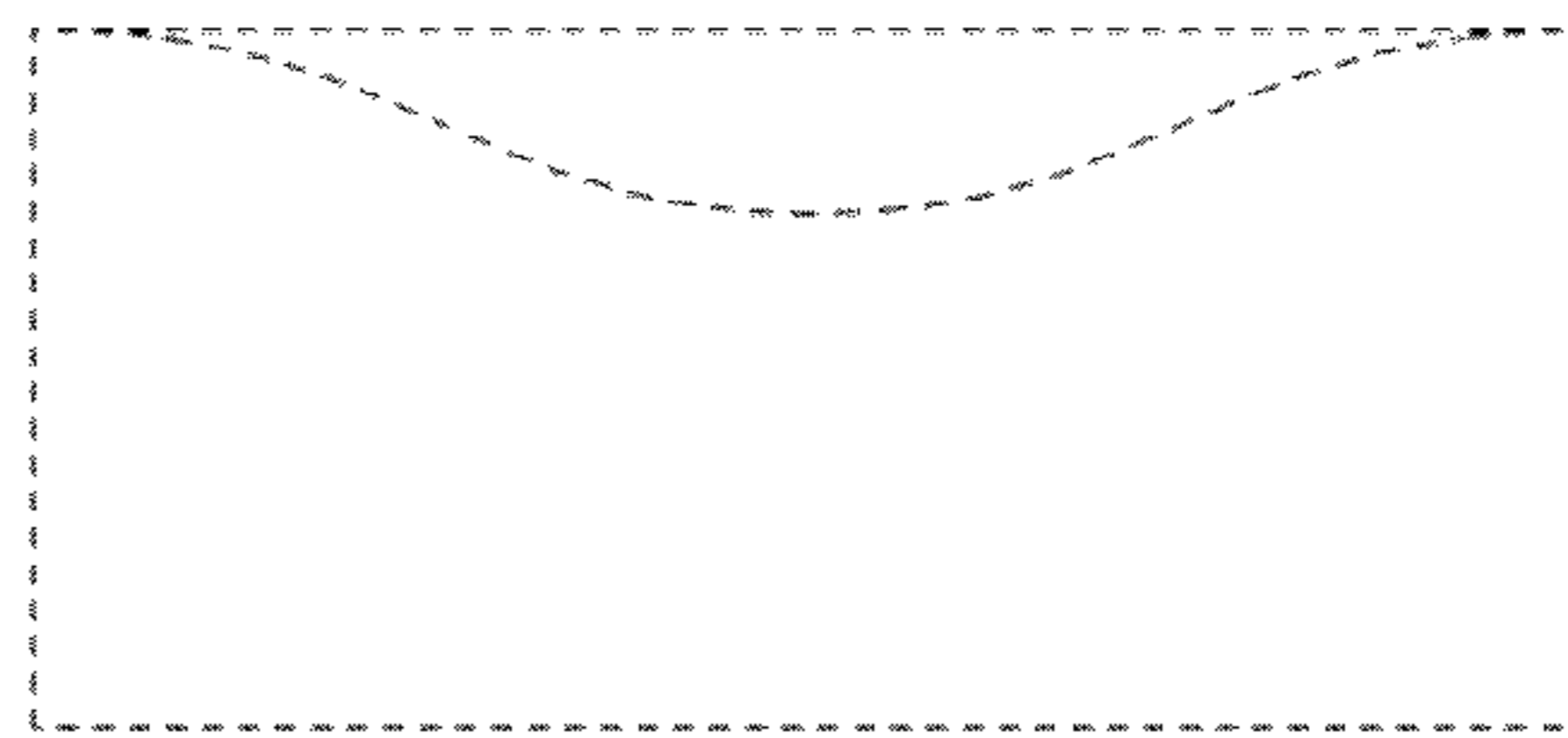


FIG. 17



FIG. 18

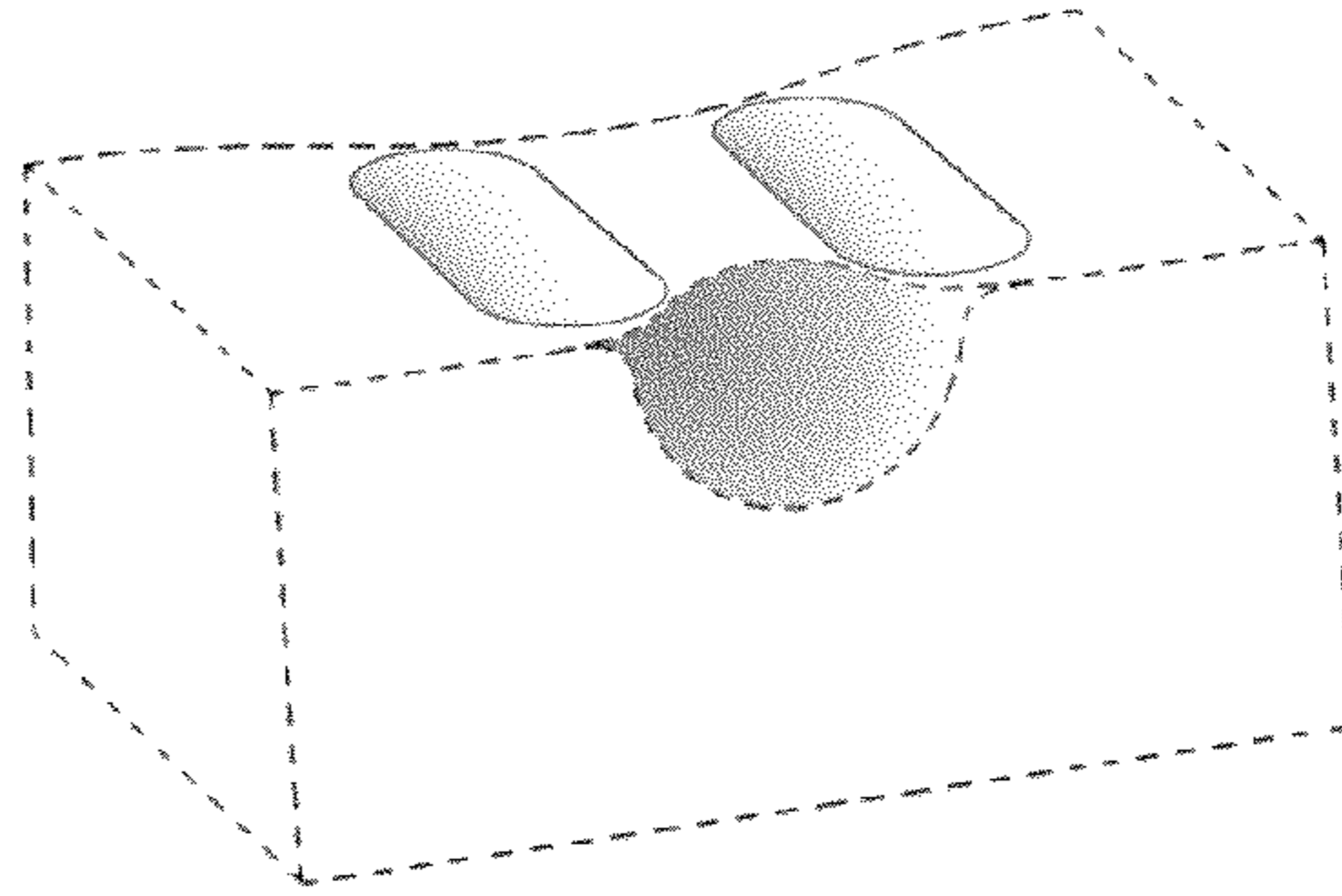


FIG. 19

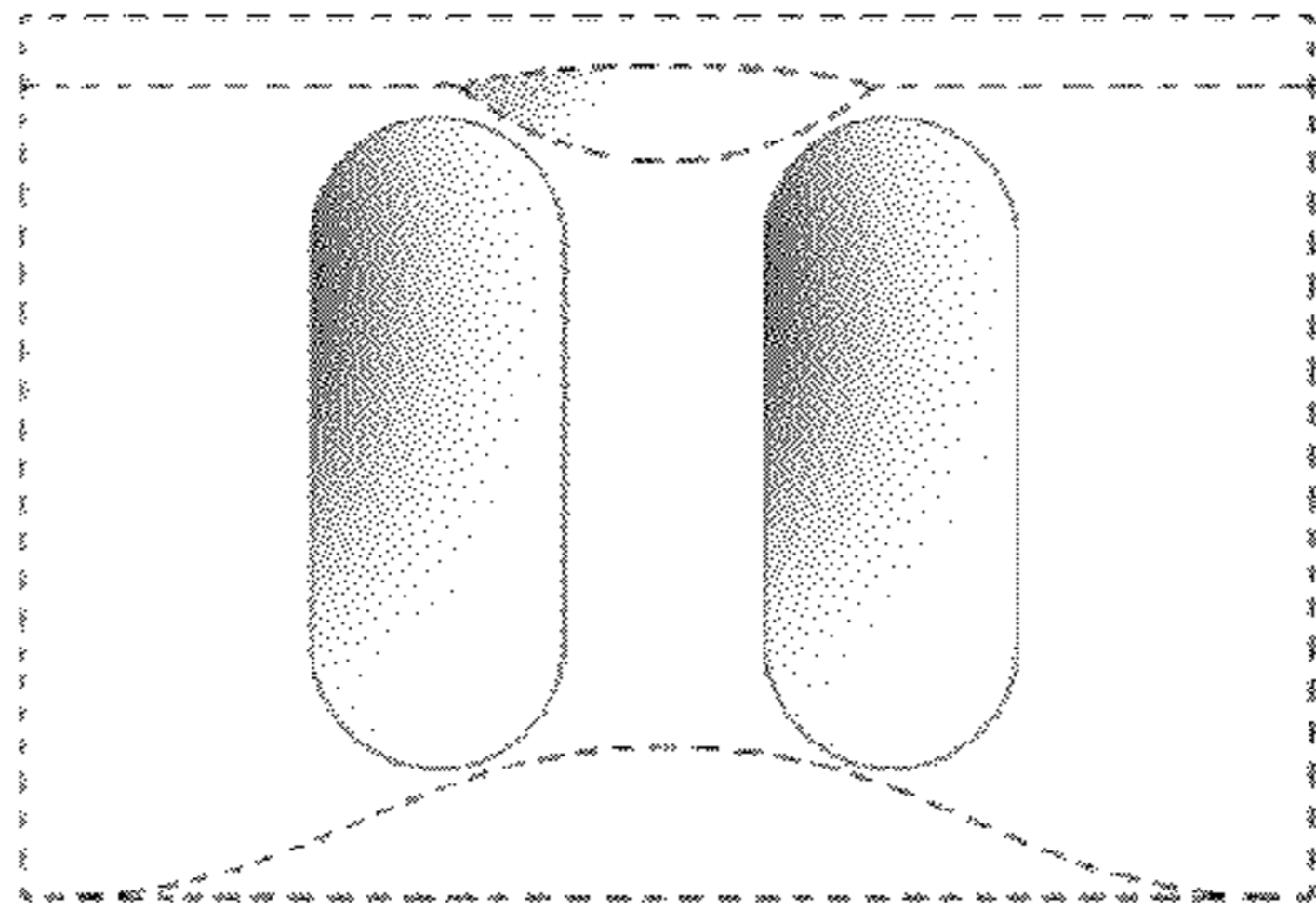


FIG. 20



FIG. 21

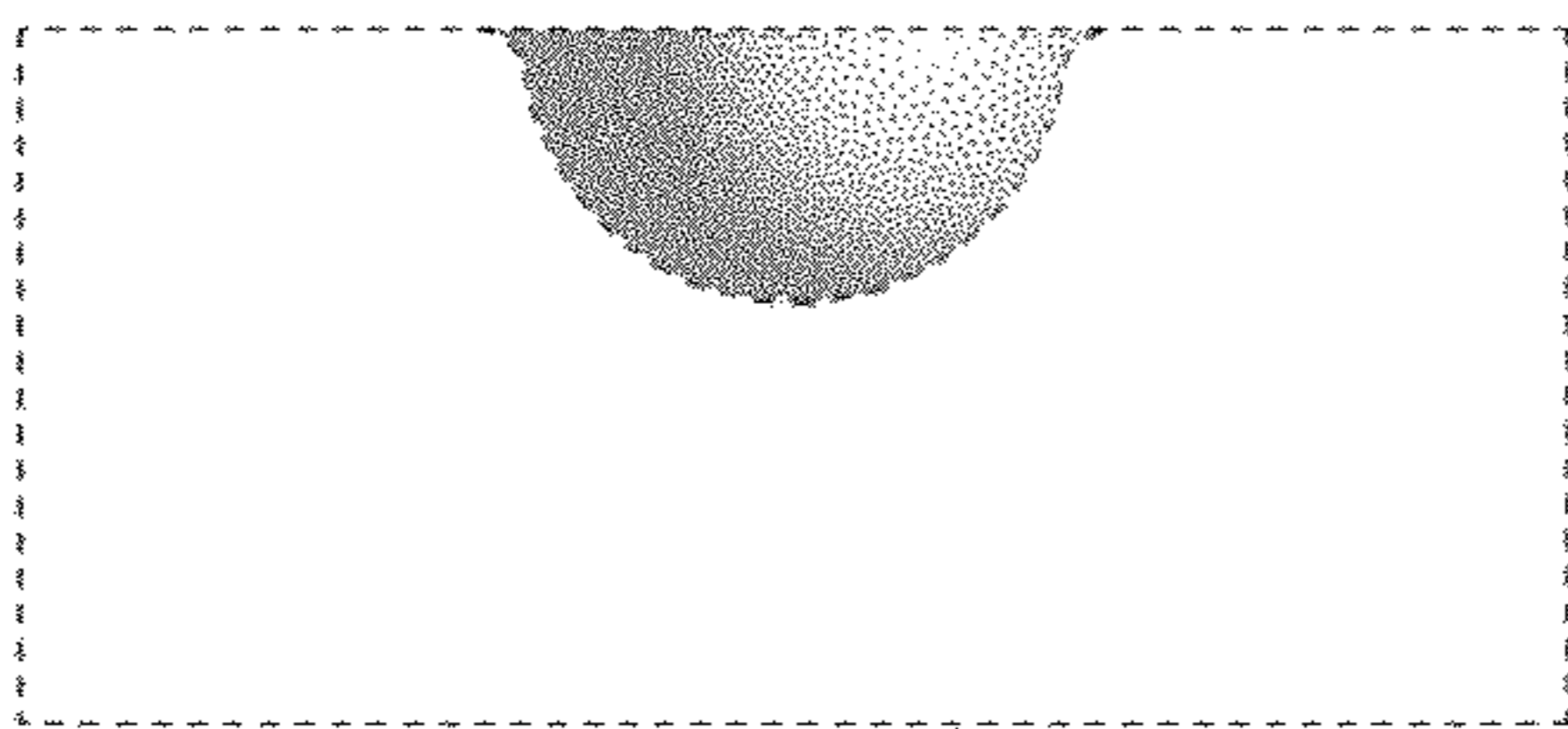


FIG. 22

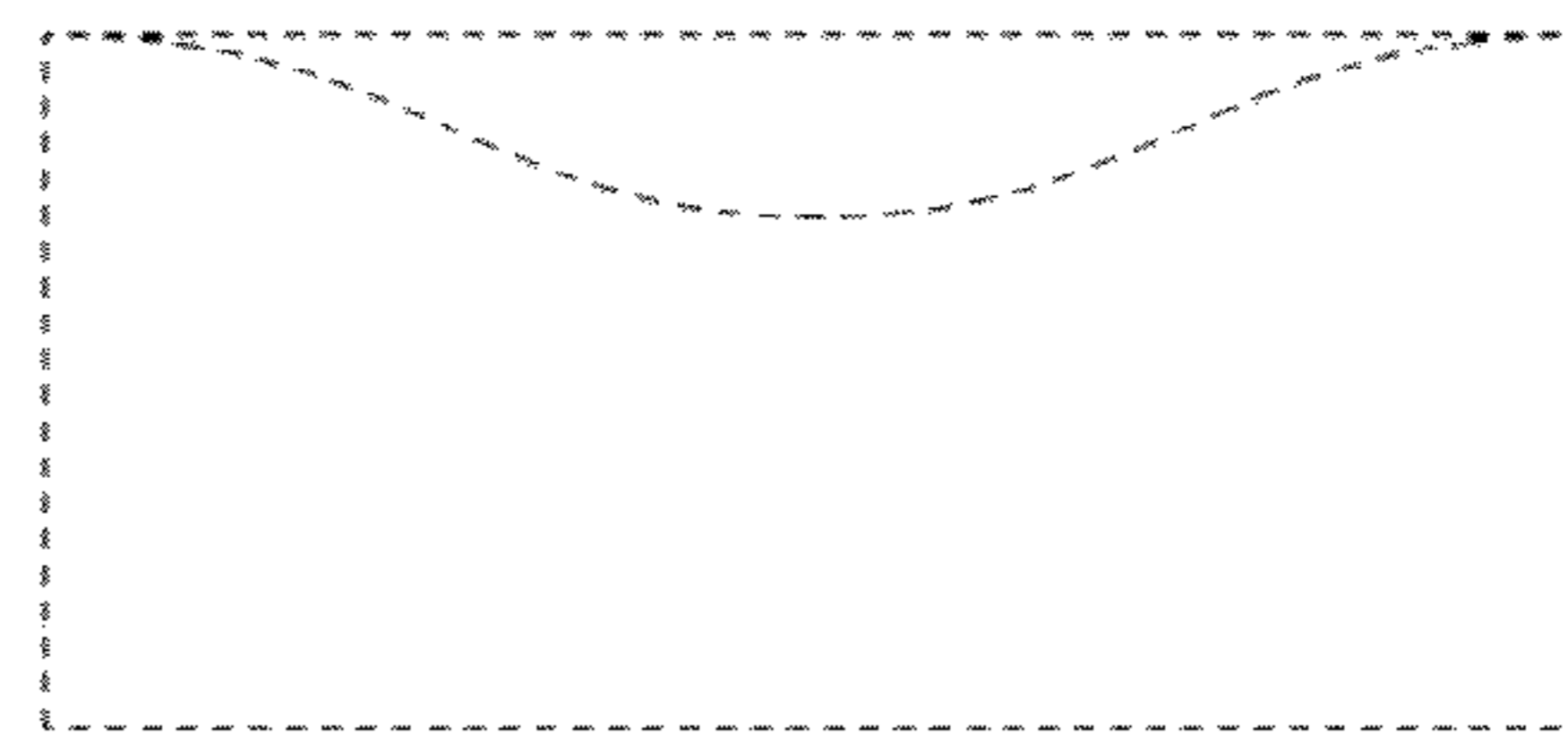


FIG. 23



FIG. 24