



US00D758110S

(12) **United States Design Patent**  
**Shannon**

(10) **Patent No.:** **US D758,110 S**  
(45) **Date of Patent:** **\*\* Jun. 7, 2016**

- (54) **SUPPORT DEVICE**
- (71) Applicant: **Healthy Savvy, LLC**, Boulder, CO (US)
- (72) Inventor: **Eric J. Shannon**, Boulder, CO (US)
- (73) Assignee: **HEALTH SAVVY, LLC**, Boulder, CO (US)
- (\*\*) Term: **14 Years**
- (21) Appl. No.: **29/490,339**
- (22) Filed: **May 8, 2014**
- (51) **LOC (10) Cl.** ..... **06-06**
- (52) **U.S. Cl.**  
USPC ..... **D6/682.4**
- (58) **Field of Classification Search**  
USPC ..... D3/254, 257, 259, 269; D6/382, D6/672-673, 675, 682, 682.1, 682.4  
CPC ..... B65D 13/00; B65D 37/00; B65D 85/00  
See application file for complete search history.

(56) **References Cited**

**U.S. PATENT DOCUMENTS**

3,759,250	A	9/1973	Salata	
4,688,556	A	8/1987	Keller, Jr.	
D367,329	S *	2/1996	Nelson	D25/118
5,531,665	A	7/1996	Chen	
5,577,996	A	11/1996	Gardner et al.	
6,007,501	A	12/1999	Cabados et al.	
6,024,762	A	2/2000	Gray	
6,050,044	A *	4/2000	McIntosh	A63H 33/086 446/124
7,168,210	B2 *	1/2007	Krovats	E04D 13/12 52/167.1
D542,405	S *	5/2007	Esjunin	D23/422
D557,795	S *	12/2007	Esjunin	D23/422
7,452,339	B2	11/2008	Mattison	
D616,046	S *	5/2010	Hwang	D21/501
D625,678	S *	10/2010	Heinz	D12/217
7,866,093	B2 *	1/2011	Krovats	E04D 13/12 52/24
D642,694	S *	8/2011	Sharps	D24/183
D649,253	S *	11/2011	Held	D24/183

D649,653	S	11/2011	Halvorsen et al.	
D677,669	S *	3/2013	Liu	D14/447
D691,222	S *	10/2013	Sterios	D21/686
D692,393	S *	10/2013	Hillman	D13/102
D716,893	S *	11/2014	Todd	D21/796
D738,711	S *	9/2015	Tally	D8/380
2003/0144616	A1	7/2003	Henderson	
2008/0155754	A1	7/2008	Desjarlais et al.	
2010/0087763	A1	4/2010	Hane-Karr	

**OTHER PUBLICATIONS**

Med Sports Vantage, LLC, Massage Tracker, 2-page printout from <http://www.massagetracker.com/how-to-use.html> (date unknown).

\* cited by examiner

*Primary Examiner* — Kelley Donnelly

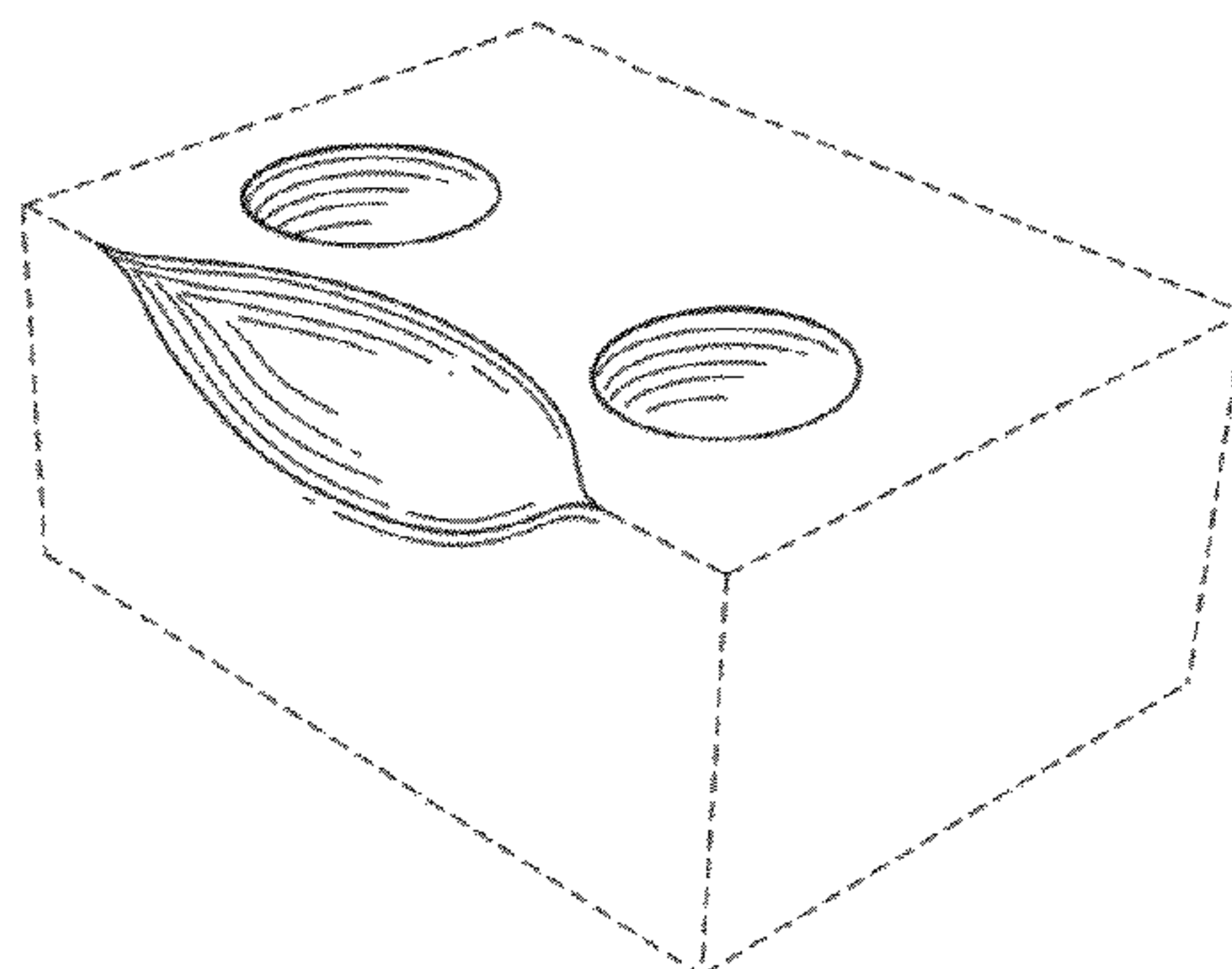
(57) **CLAIM**

The ornamental design for a support device, as shown and described.

**DESCRIPTION**

FIG. 1 is a top perspective view of a first embodiment of my support device;  
 FIG. 2 is a top plan view of FIG. 1.  
 FIG. 3 is a bottom plan view of FIG. 1.  
 FIG. 4 is a front elevation view of FIG. 1.  
 FIG. 5 is a rear elevation view of FIG. 1.  
 FIG. 6 is a left side elevation view of FIG. 1, a right side elevation view being identical.  
 FIG. 7 is a top perspective view of a second embodiment of my support device;  
 FIG. 8 is a top plan view of FIG. 7.  
 FIG. 9 is a bottom plan view of FIG. 7.  
 FIG. 10 is a front elevation view of FIG. 7.  
 FIG. 11 is a rear elevation view of FIG. 7; and,  
 FIG. 12 is a left side elevation view of FIG. 7, a right side elevation view being identical.  
 The broken lines are for the purposes of illustrating the environment of the design only and form no part of the claimed design.

**1 Claim, 2 Drawing Sheets**



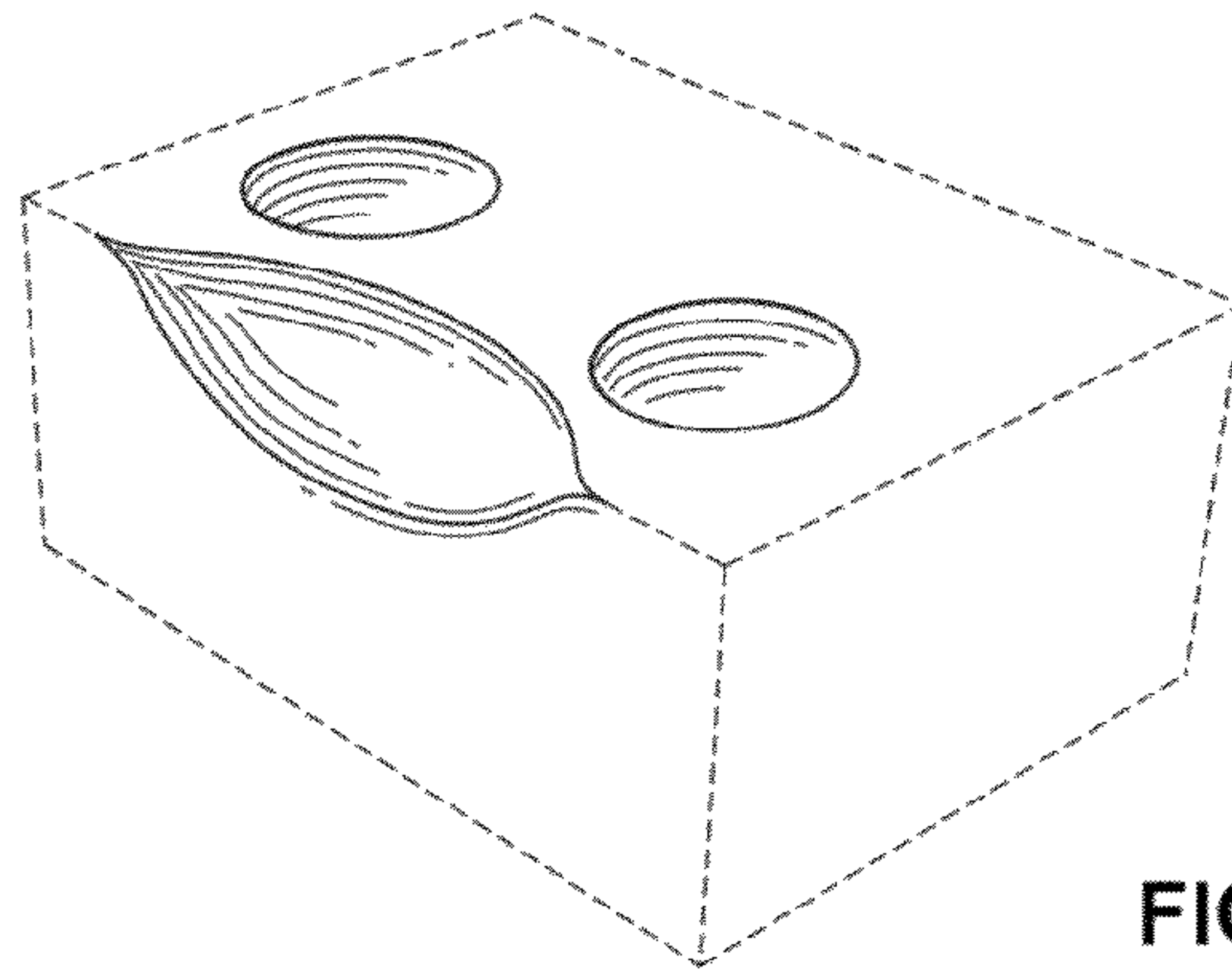


FIG. 1

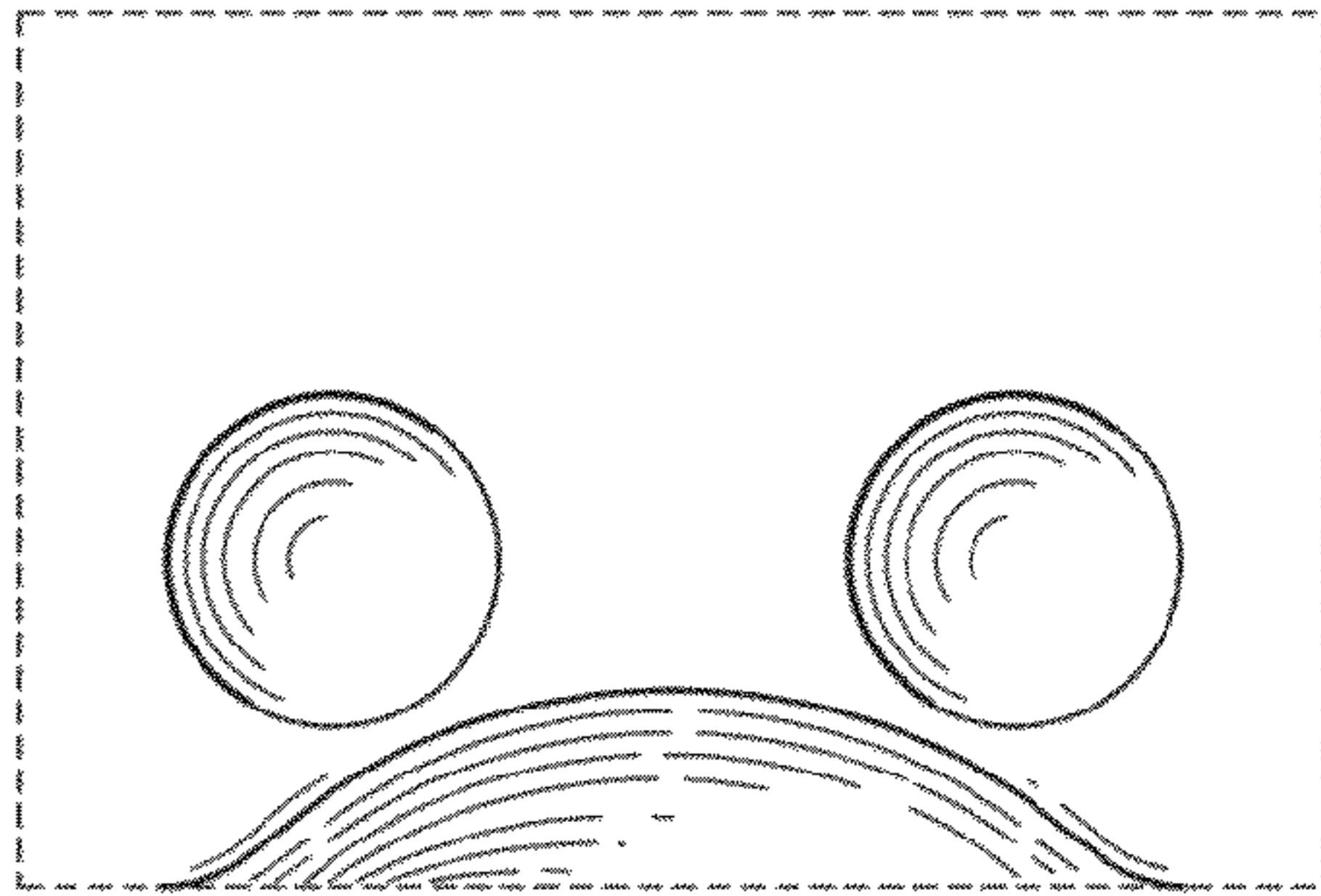


FIG. 2



FIG. 3

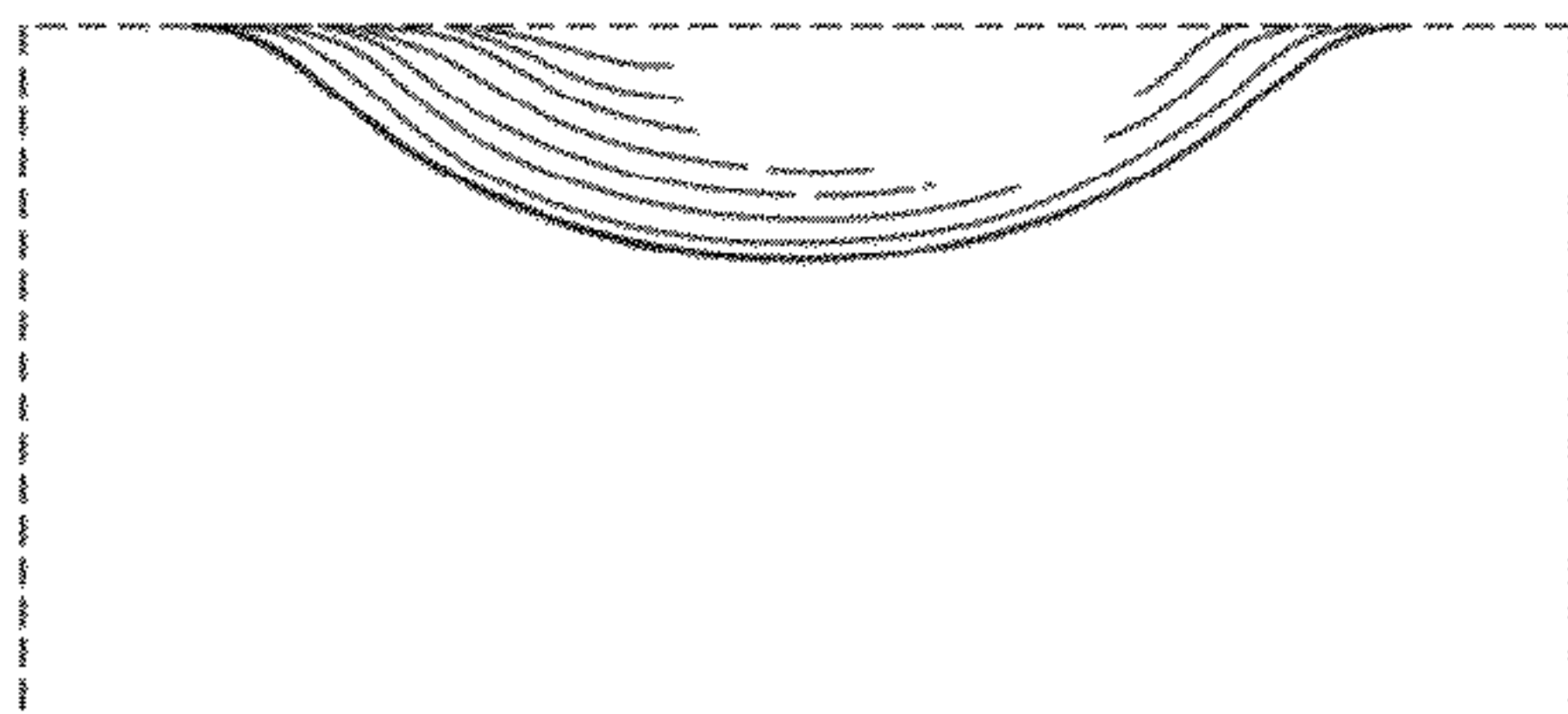


FIG. 4



FIG. 5



FIG. 6

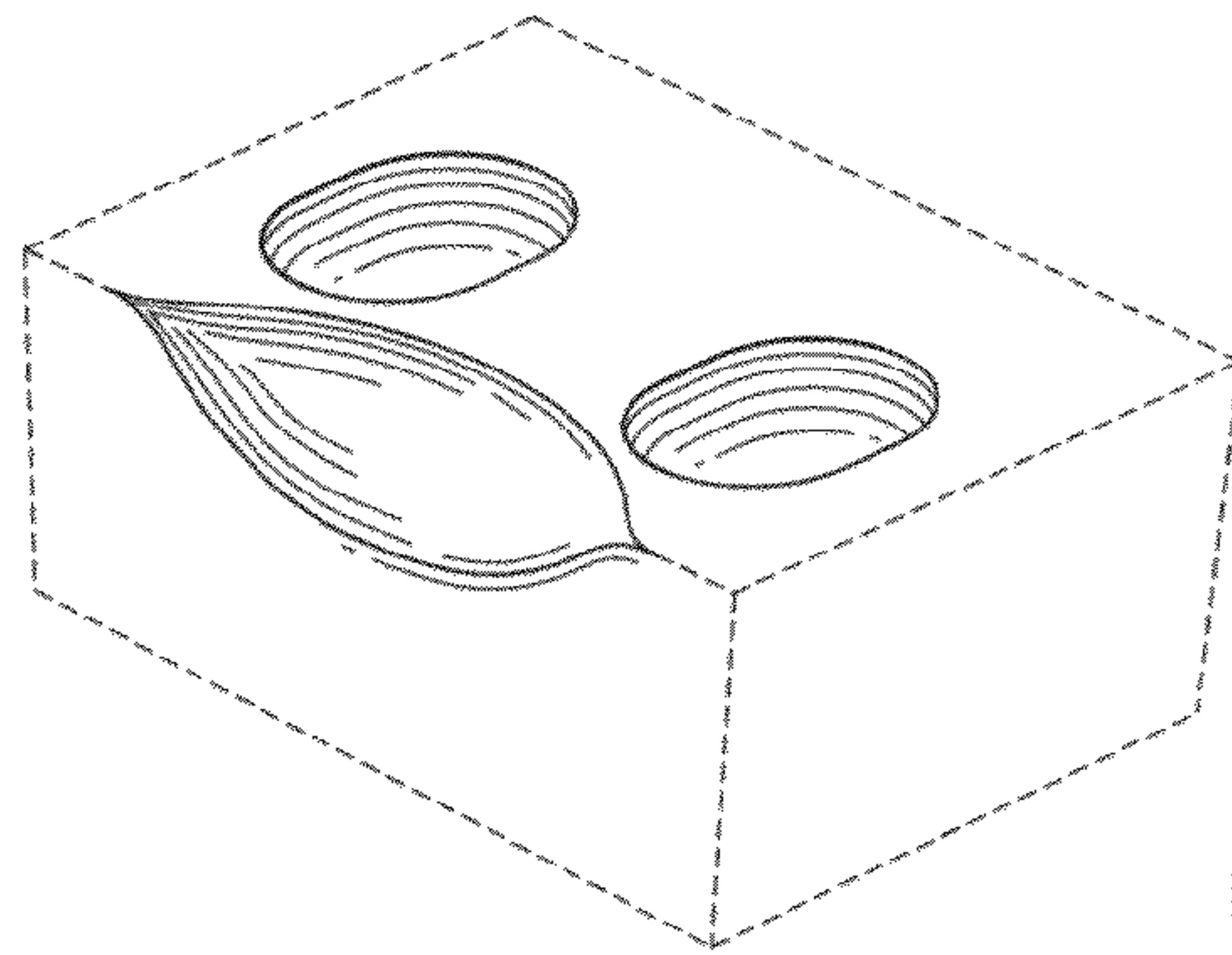


FIG. 7

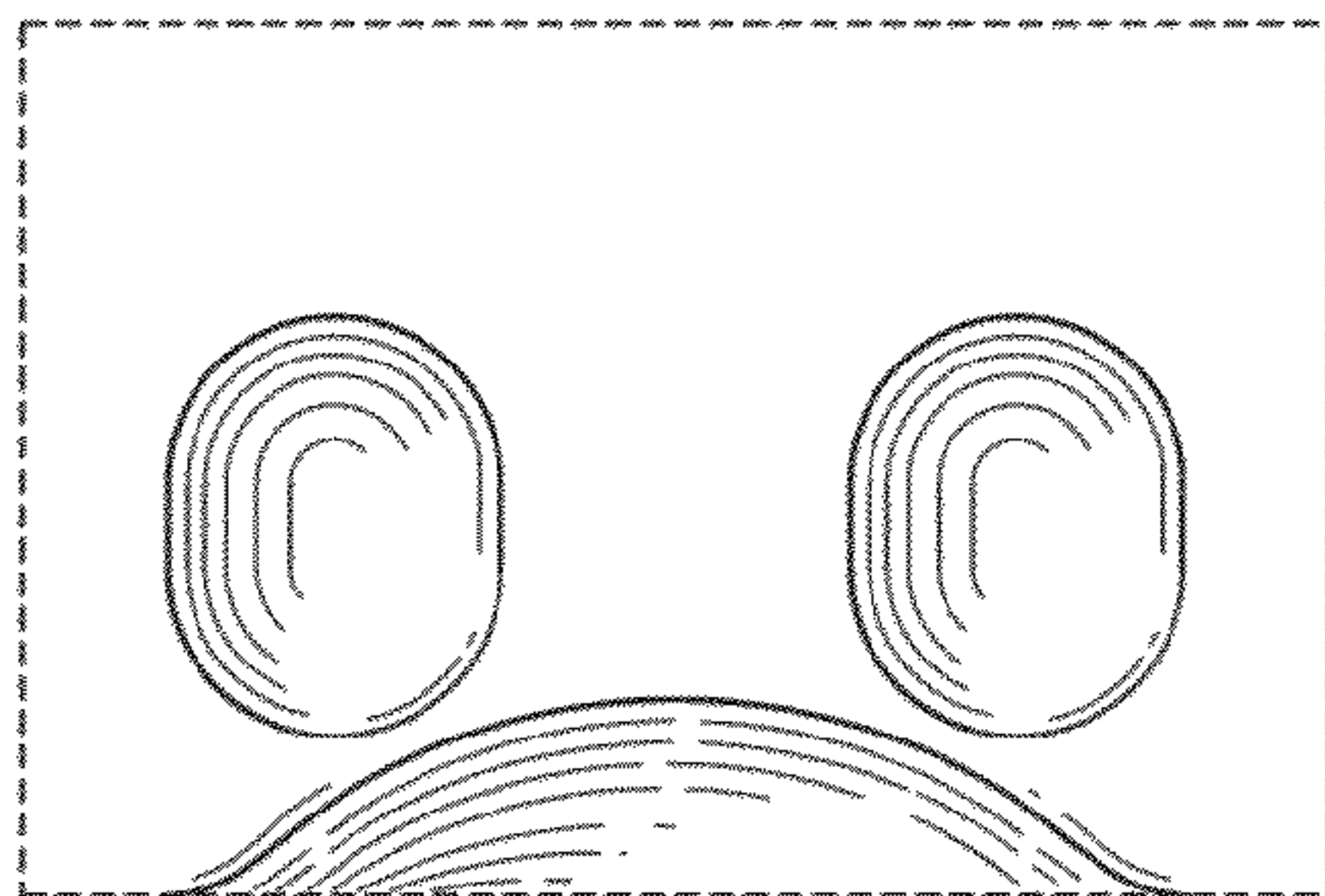


FIG. 8



FIG. 9

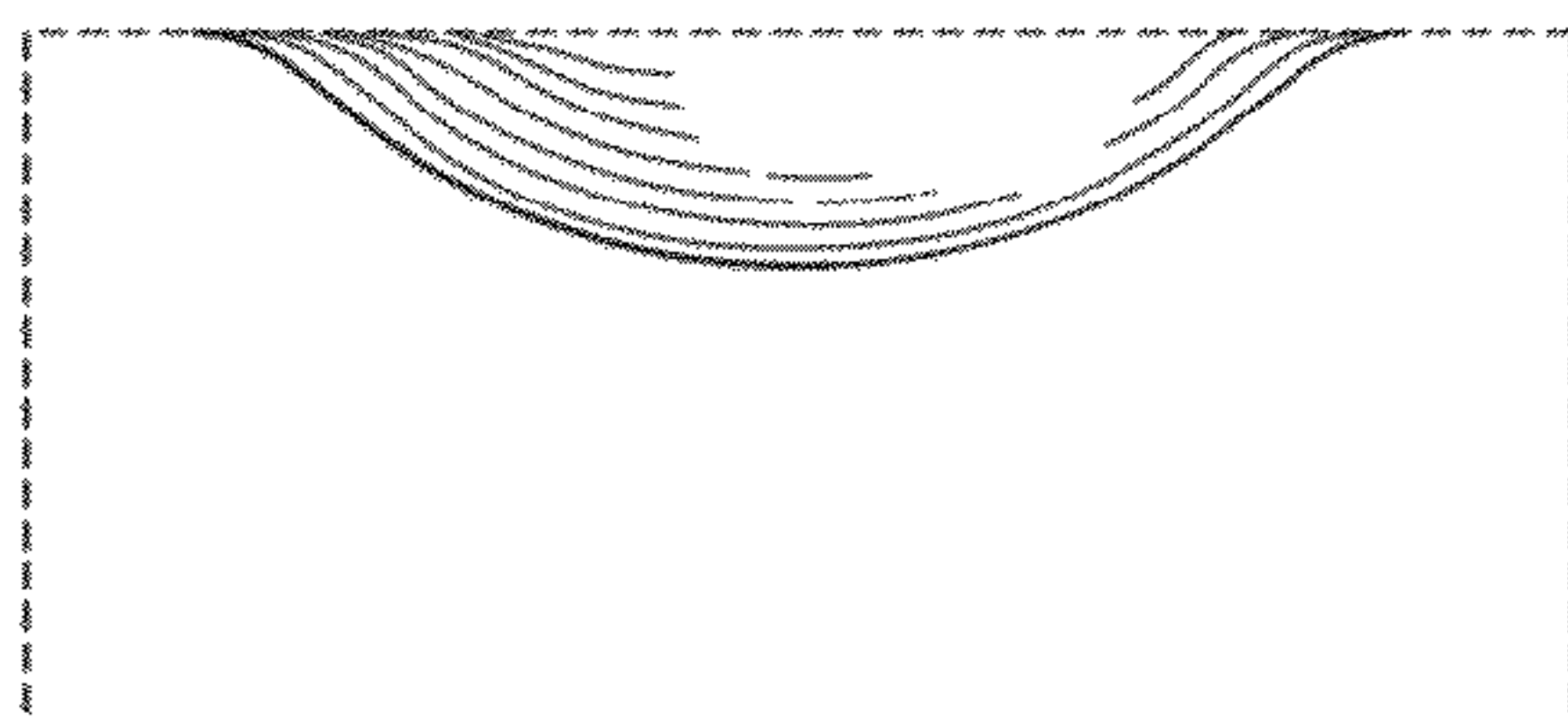


FIG. 10



FIG. 11



FIG. 12