



US00D758109S

(12) **United States Design Patent**
Do et al.

(10) **Patent No.:** **US D758,109 S**
(45) **Date of Patent:** **** *Jun. 7, 2016**

(54) **DISPLAY UNIT**

(71) Applicant: **Samsung Electronics Co., Ltd.**,
Suwon-si (KR)
(72) Inventors: **Kyoung-Sub Do**, Seoul (KR); **Seo-Gyun Kim**,
Suwon-si (KR); **Sung-Su Park**, Seoul (KR)
(73) Assignee: **Samsung Electronics Co., Ltd.**,
Suwon-si (KR)

(*) Notice: This patent is subject to a terminal disclaimer.

(**) Term: **14 Years**

(21) Appl. No.: **29/510,472**

(22) Filed: **Nov. 28, 2014**

(30) **Foreign Application Priority Data**

Jun. 5, 2014 (KR) 30-2014-0027684

(51) **LOC (10) Cl.** **06-06**

(52) **U.S. Cl.**
USPC **D6/678**

(58) **Field of Classification Search**
USPC D6/657, 661, 661.3, 663, 668, 672, 678,
D6/691, 691.3; D14/340; D19/90; D20/10,
D20/43
CPC A47B 67/00; A47F 5/0018; A47F 3/0404
See application file for complete search history.

(56) **References Cited**

U.S. PATENT DOCUMENTS

D356,908 S *	4/1995	Johansson	D6/661
D564,786 S *	3/2008	Mayer	D6/668.2
D581,380 S *	11/2008	Derocher	D14/127
D618,644 S *	6/2010	Graham	D14/127
D679,707 S *	4/2013	Aarrestad	D14/127
D684,991 S *	6/2013	Wenz	D14/488
D697,862 S *	1/2014	Nemeth	D12/192
D699,487 S *	2/2014	Trinh	D6/553
D711,217 S *	8/2014	Jacobs	D9/414
D725,108 S *	3/2015	Yeon	D14/376

* cited by examiner

Primary Examiner — Kelley Donnelly
(74) *Attorney, Agent, or Firm* — NSIP Law

(57) **CLAIM**

We claim the ornamental design for a display unit, as shown and described.

DESCRIPTION

FIG. 1 is a front perspective view of a display unit showing our new design;
FIG. 2 is a front view thereof;
FIG. 3 is a rear view thereof;
FIG. 4 is a left-side view thereof;
FIG. 5 is a right-side view thereof;
FIG. 6 is a top view thereof; and,
FIG. 7 is a bottom view thereof.

1 Claim, 5 Drawing Sheets

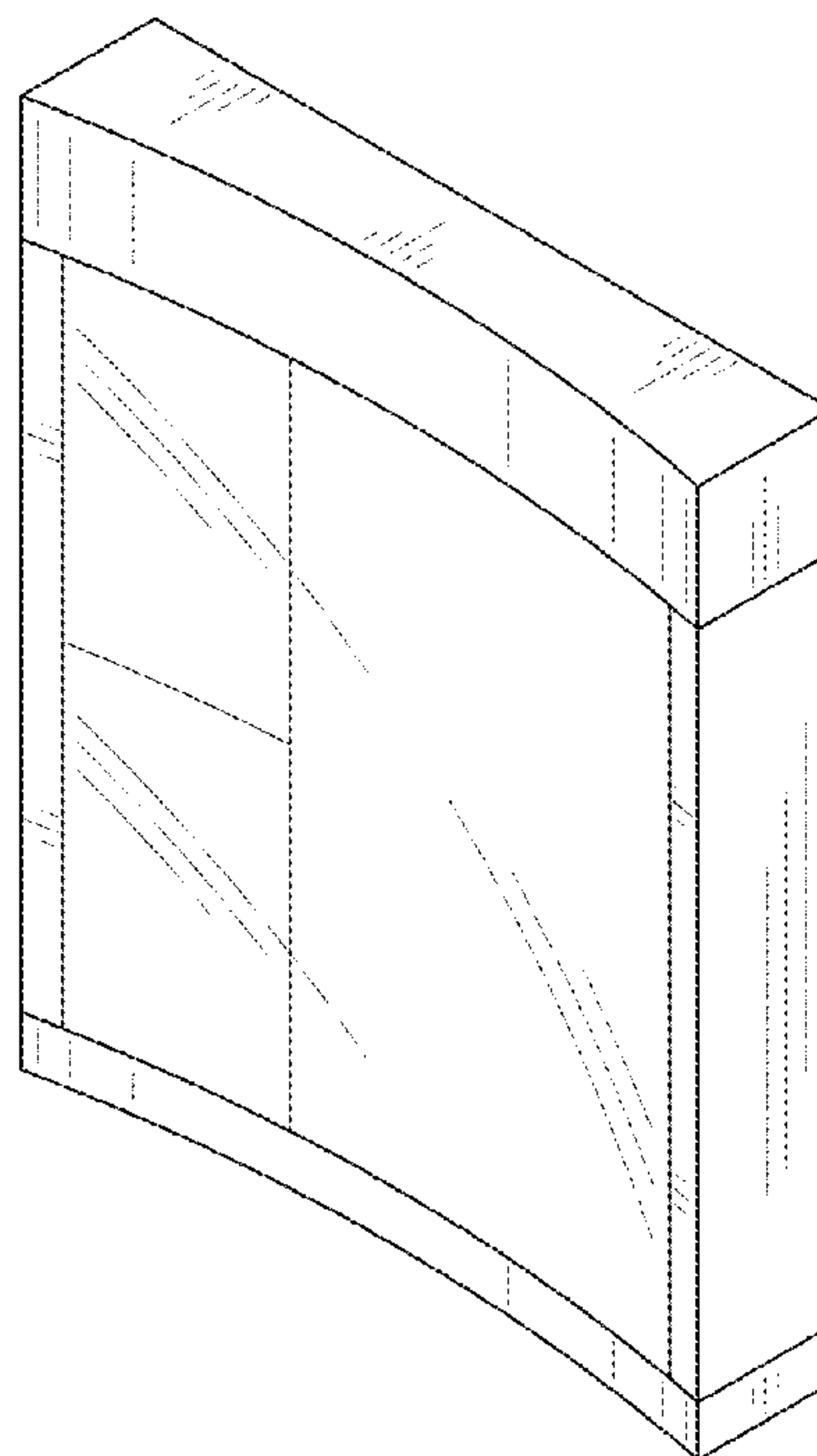


FIG. 1

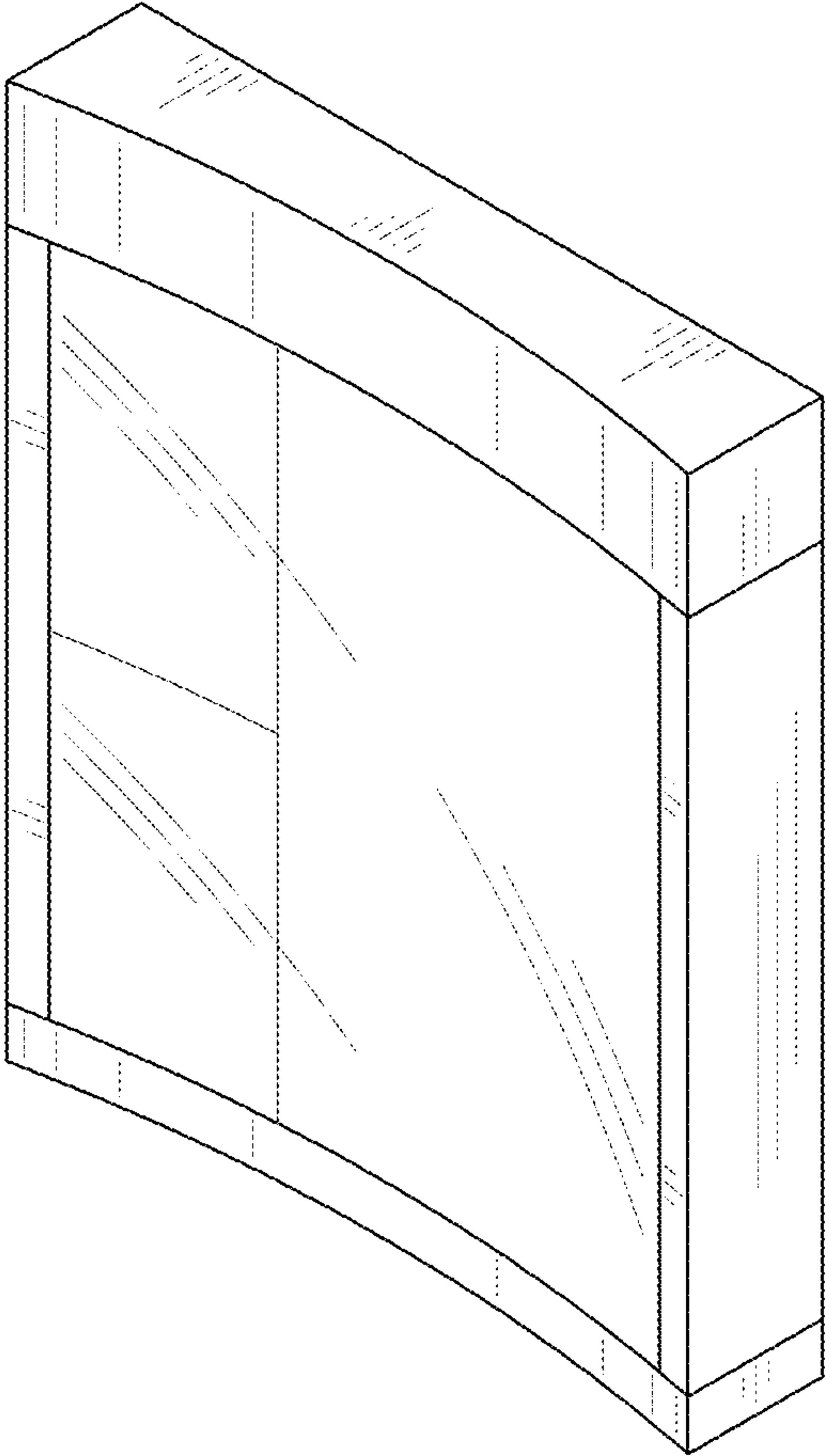


FIG. 2

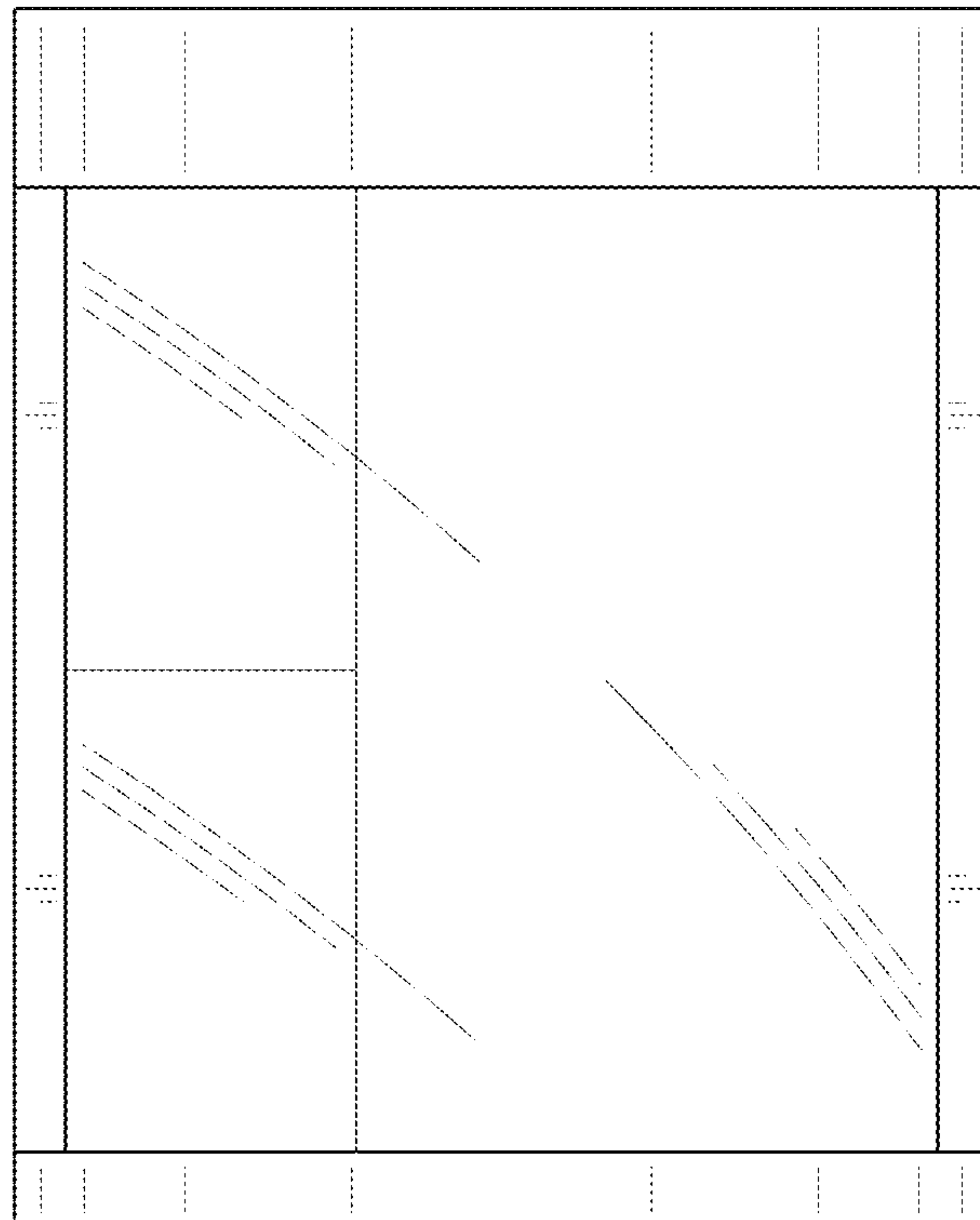


FIG. 3

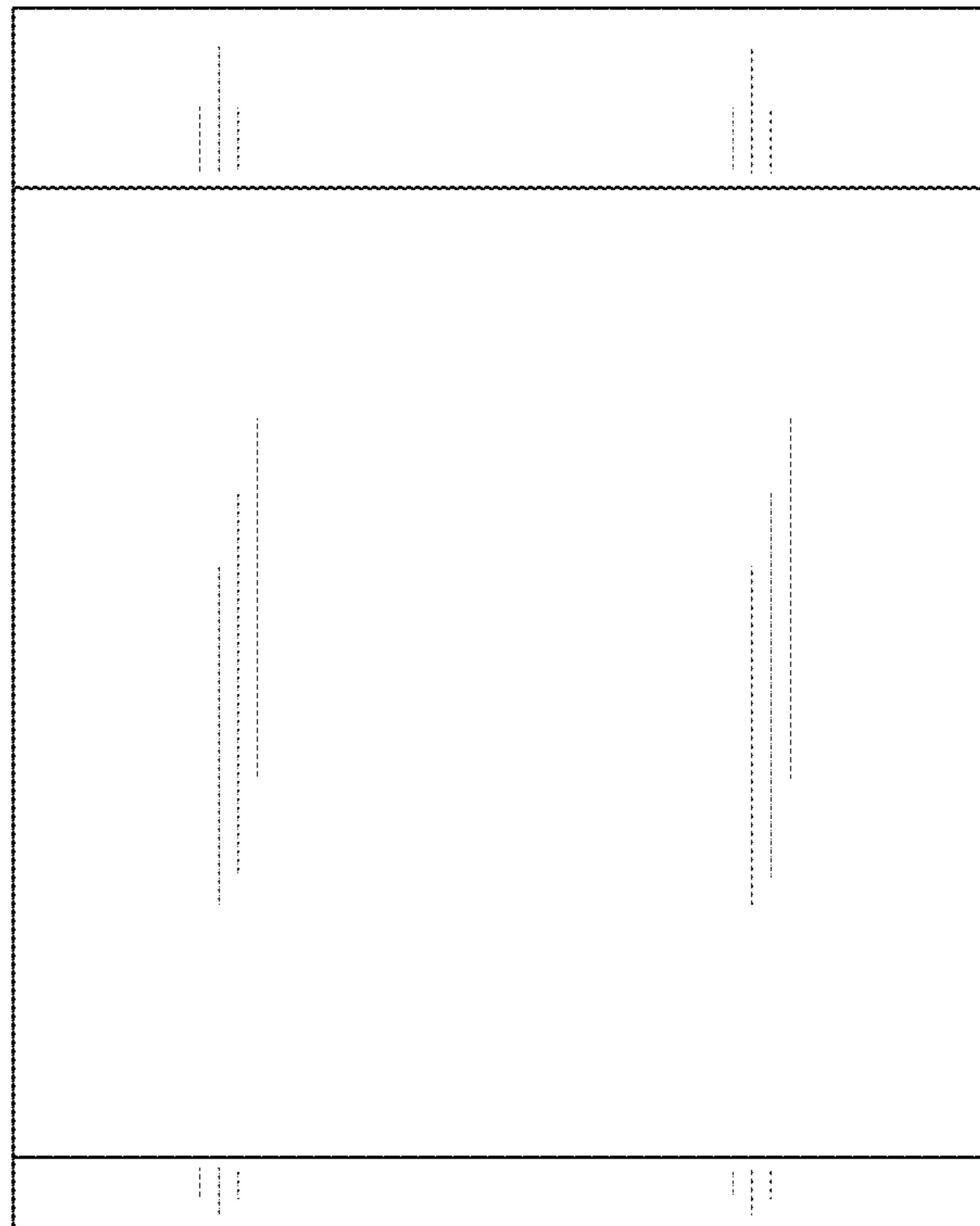


FIG. 4

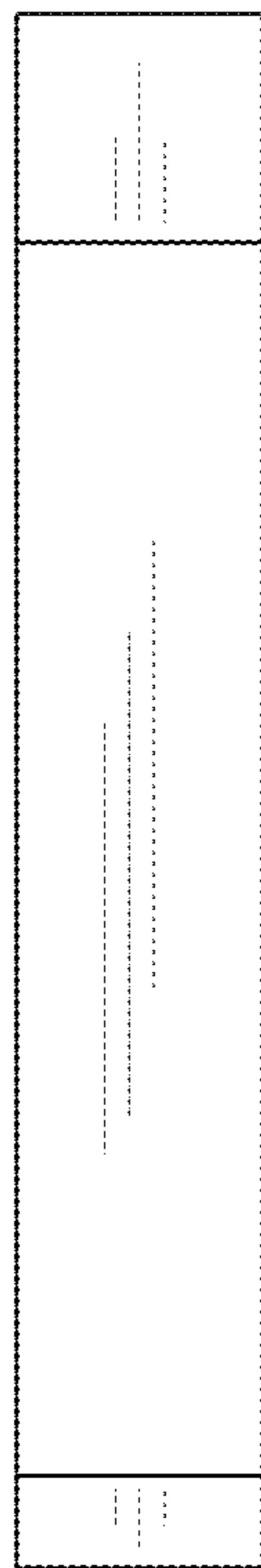


FIG. 5

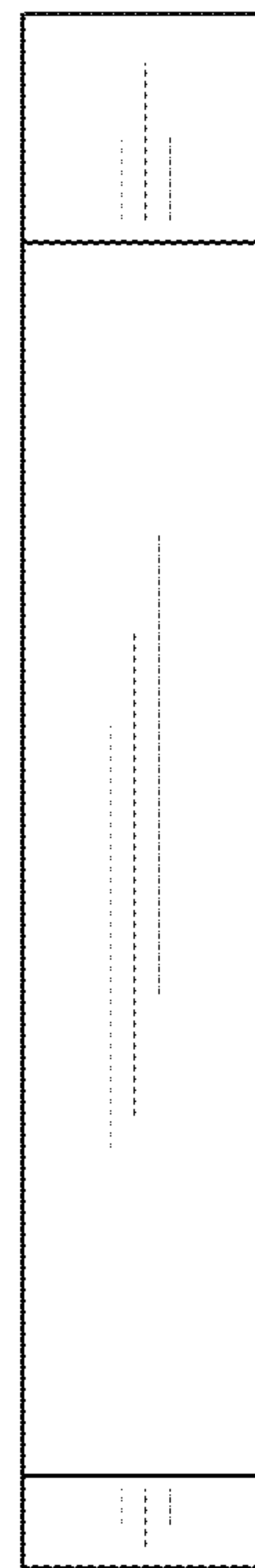


FIG. 6

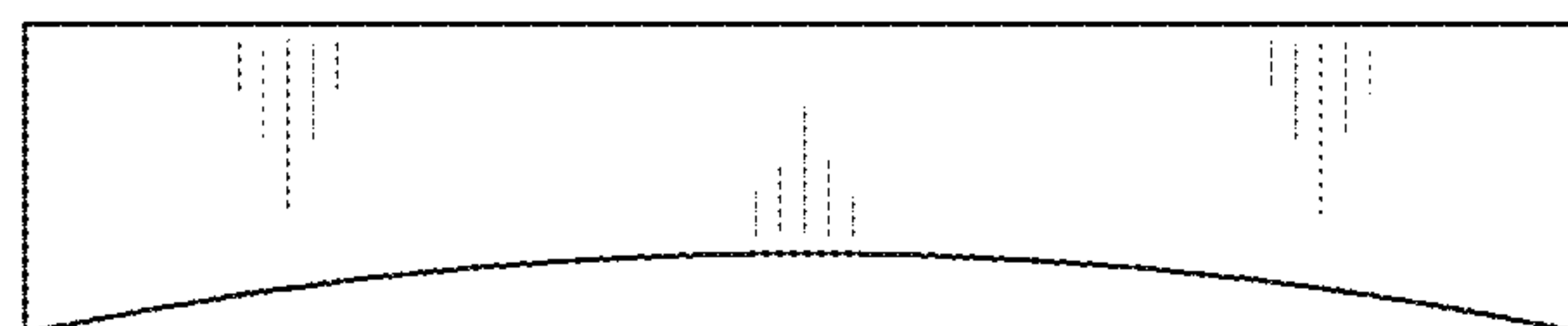


FIG. 7

