



US00D758108S

(12) **United States Design Patent**
Do et al.

(10) **Patent No.:** **US D758,108 S**
(45) **Date of Patent:** **** *Jun. 7, 2016**

(54) **DISPLAY UNIT**

(71) Applicant: **Samsung Electronics Co., Ltd.**,
Suwon-si (KR)
(72) Inventors: **Kyoung-Sub Do**, Seoul (KR); **Seo-Gyun Kim**,
Suwon-si (KR); **Sung-Su Park**, Seoul (KR)
(73) Assignee: **Samsung Electronics Co., Ltd.**,
Suwon-si (KR)

(*) Notice: This patent is subject to a terminal disclaimer.

(**) Term: **14 Years**

(21) Appl. No.: **29/510,458**

(22) Filed: **Nov. 28, 2014**

(30) **Foreign Application Priority Data**

Jun. 5, 2014 (KR) 30-2014-0027683

(51) **LOC (10) Cl.** **06-06**

(52) **U.S. Cl.**
USPC **D6/678**

(58) **Field of Classification Search**
USPC D6/657, 661, 661.3, 663, 668, 672, 678,
D6/691, 691.3; D14/340; D19/90; D20/10,
D20/43
CPC A47B 67/00; A47F 5/0018; A47F 3/0404

See application file for complete search history.

(56) **References Cited**

U.S. PATENT DOCUMENTS

| | | | |
|--------------|---------|-------------------|----------|
| D356,908 S * | 4/1995 | Johansson | D6/661 |
| D485,701 S * | 1/2004 | Bridgewater | D6/661 |
| D564,786 S * | 3/2008 | Mayer | D6/668.2 |
| D581,380 S * | 11/2008 | Derocher | D14/127 |
| D618,644 S * | 6/2010 | Graham | D14/127 |
| D679,707 S * | 4/2013 | Aarrestad | D14/127 |
| D684,991 S * | 6/2013 | Wenz | D14/488 |
| D697,862 S * | 1/2014 | Nemeth | D12/192 |
| D699,487 S * | 2/2014 | Trinh | D6/553 |
| D711,217 S * | 8/2014 | Jacobs | D9/414 |
| D725,108 S * | 3/2015 | Yeon | D14/376 |
| D728,280 S * | 5/2015 | Weatherly | D6/671.1 |
| D735,687 S * | 8/2015 | Bang | D14/126 |
| D738,647 S * | 9/2015 | Muller | D6/669 |

* cited by examiner

Primary Examiner — Kelley Donnelly

(74) *Attorney, Agent, or Firm* — NSIP Law

(57) **CLAIM**

We claim the ornamental design for a display unit, as shown and described.

DESCRIPTION

FIG. 1 is a front perspective view of a display unit showing our new design;

FIG. 2 is a front view thereof;

FIG. 3 is a rear view thereof;

FIG. 4 is a left-side view thereof;

FIG. 5 is a right-side view thereof;

FIG. 6 is a top view thereof; and,

FIG. 7 is a bottom view thereof.

1 Claim, 5 Drawing Sheets

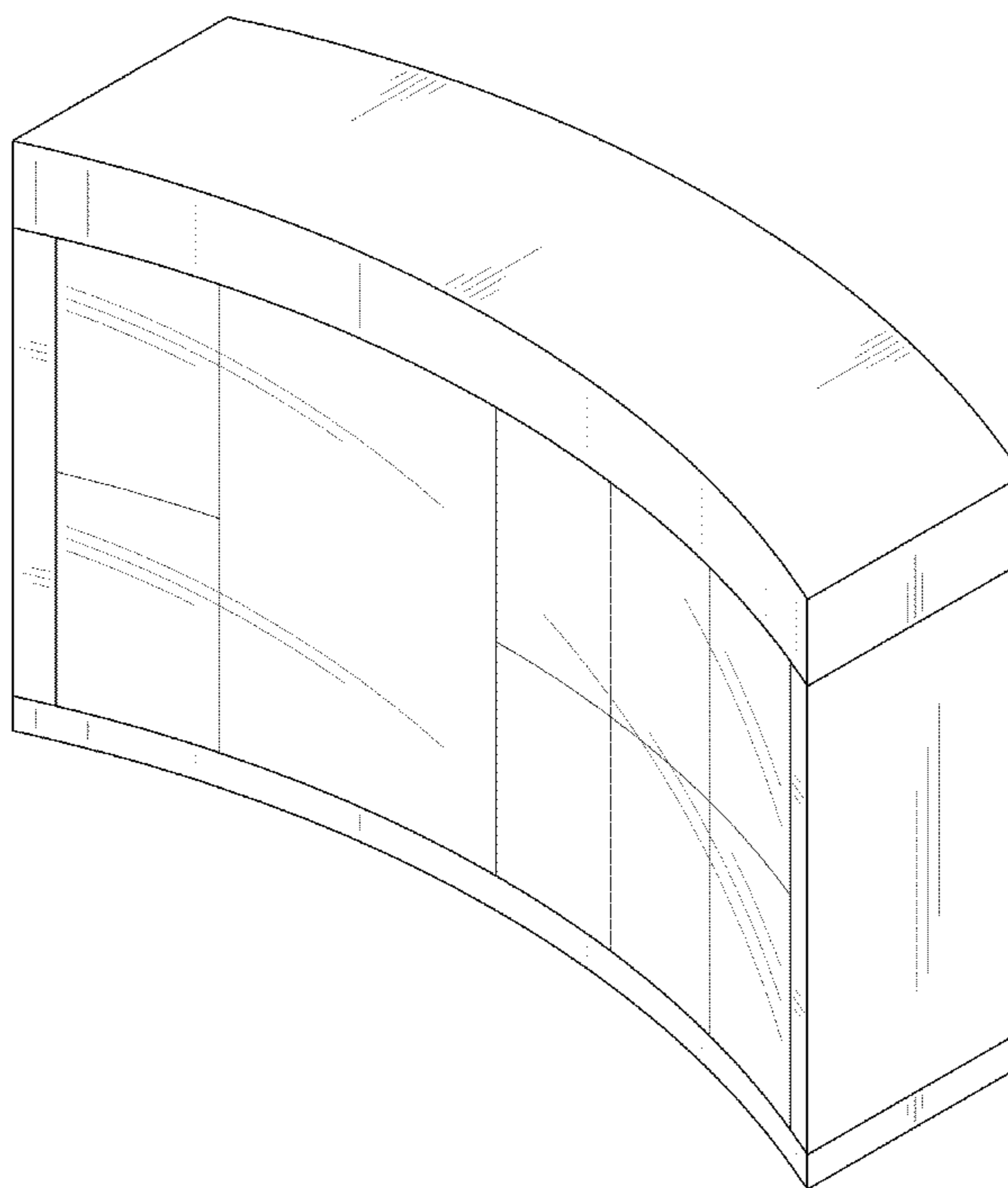


FIG. 1

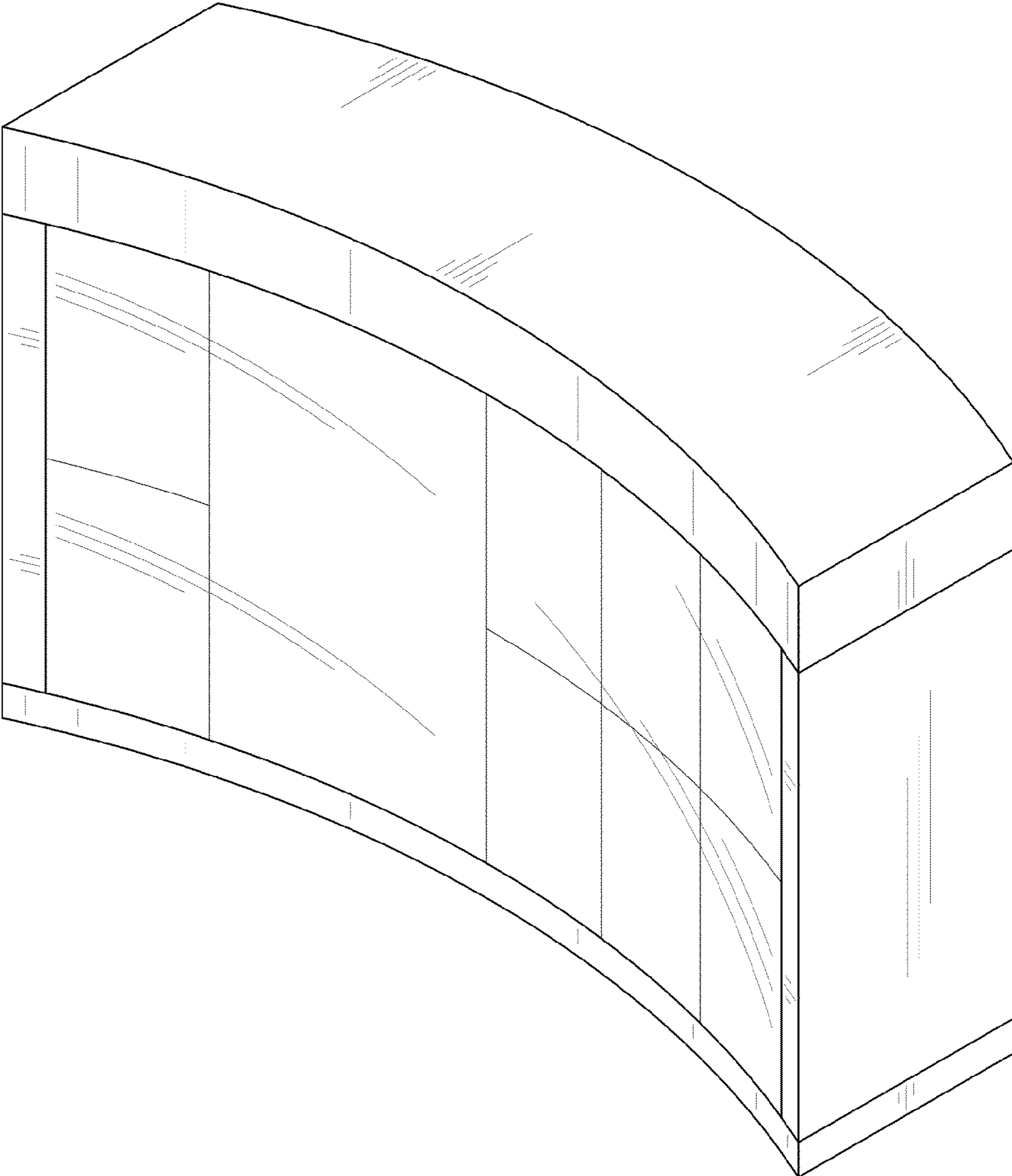


FIG. 2

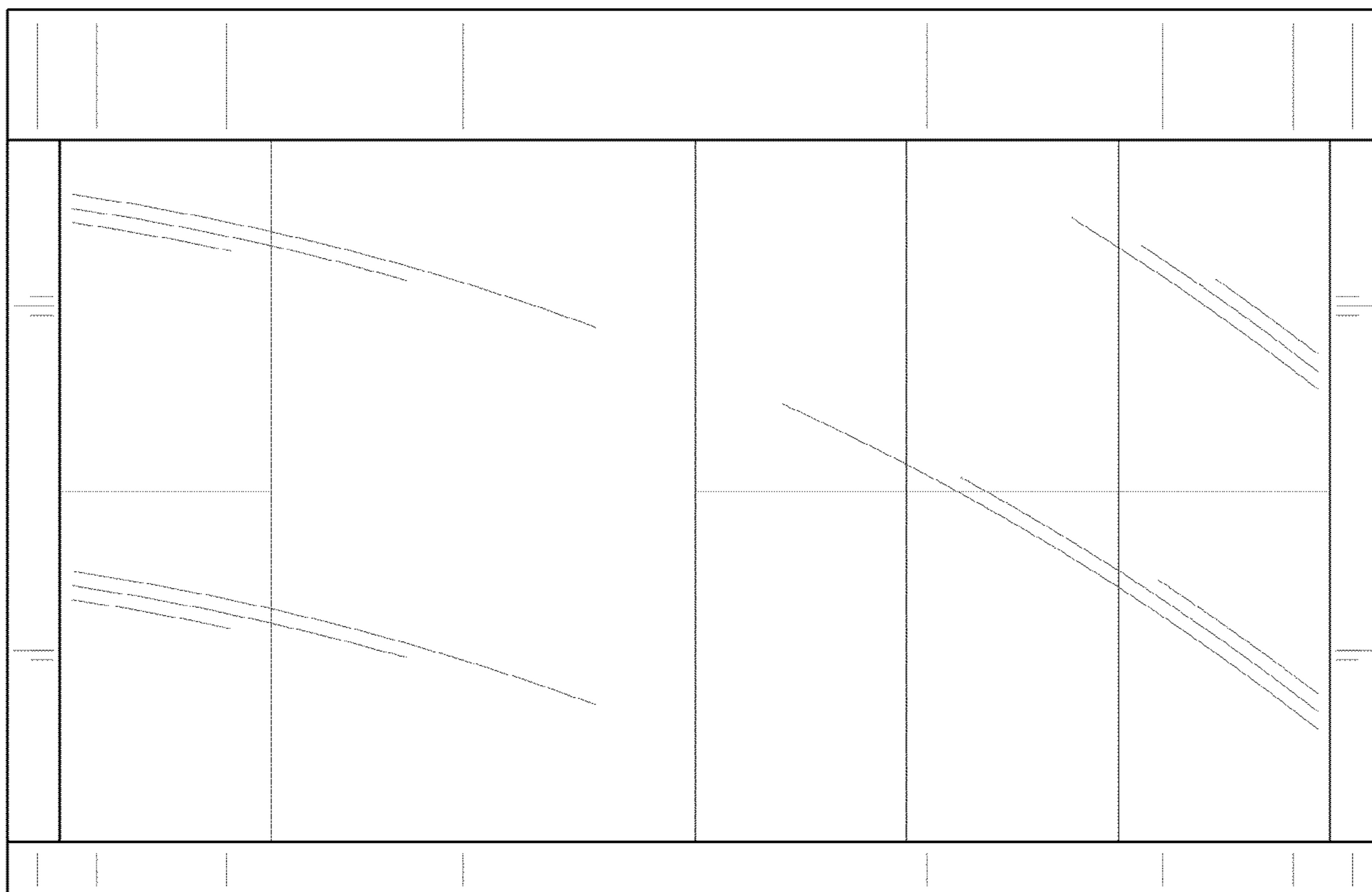


FIG. 3

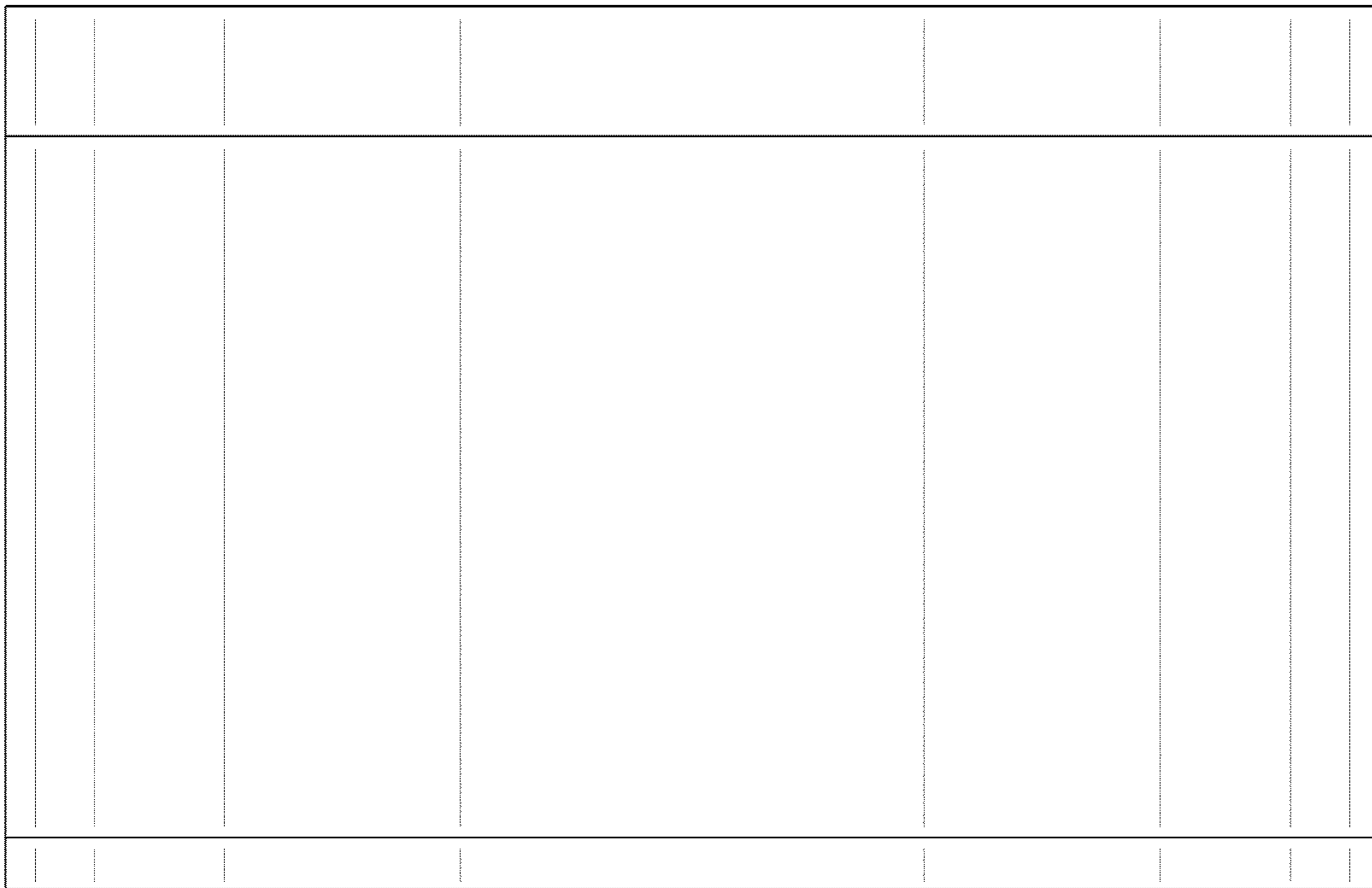


FIG. 4

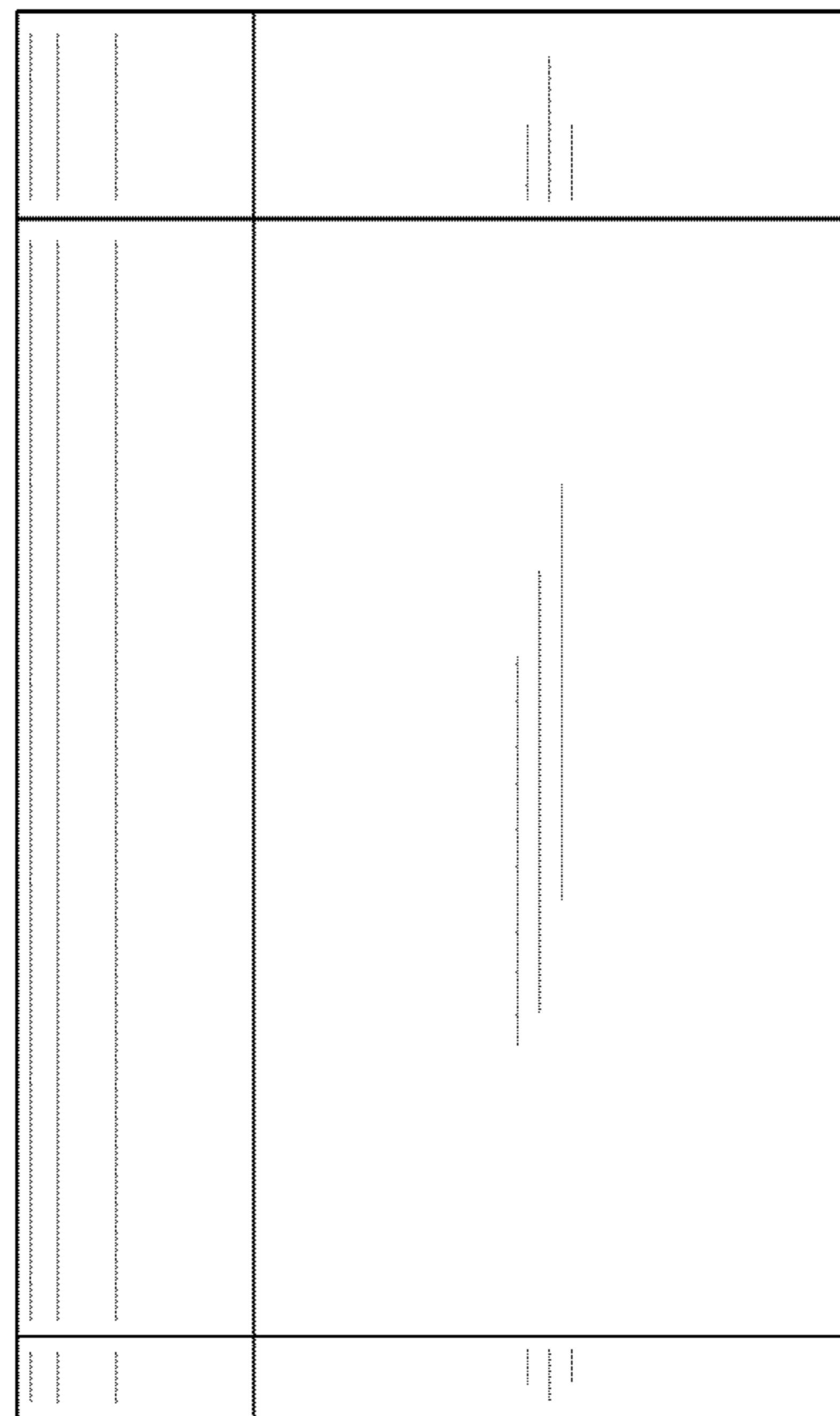


FIG. 5

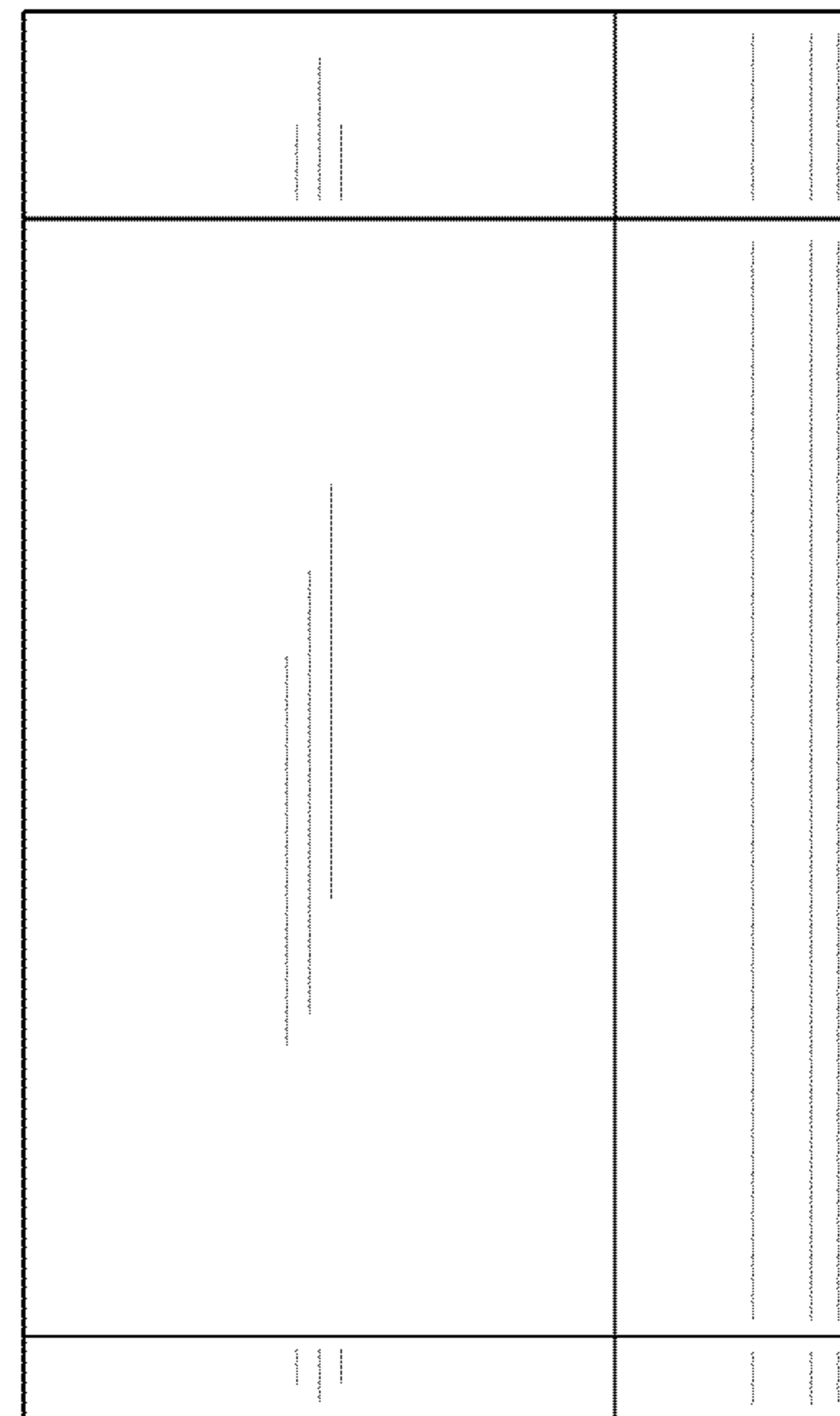


FIG. 6

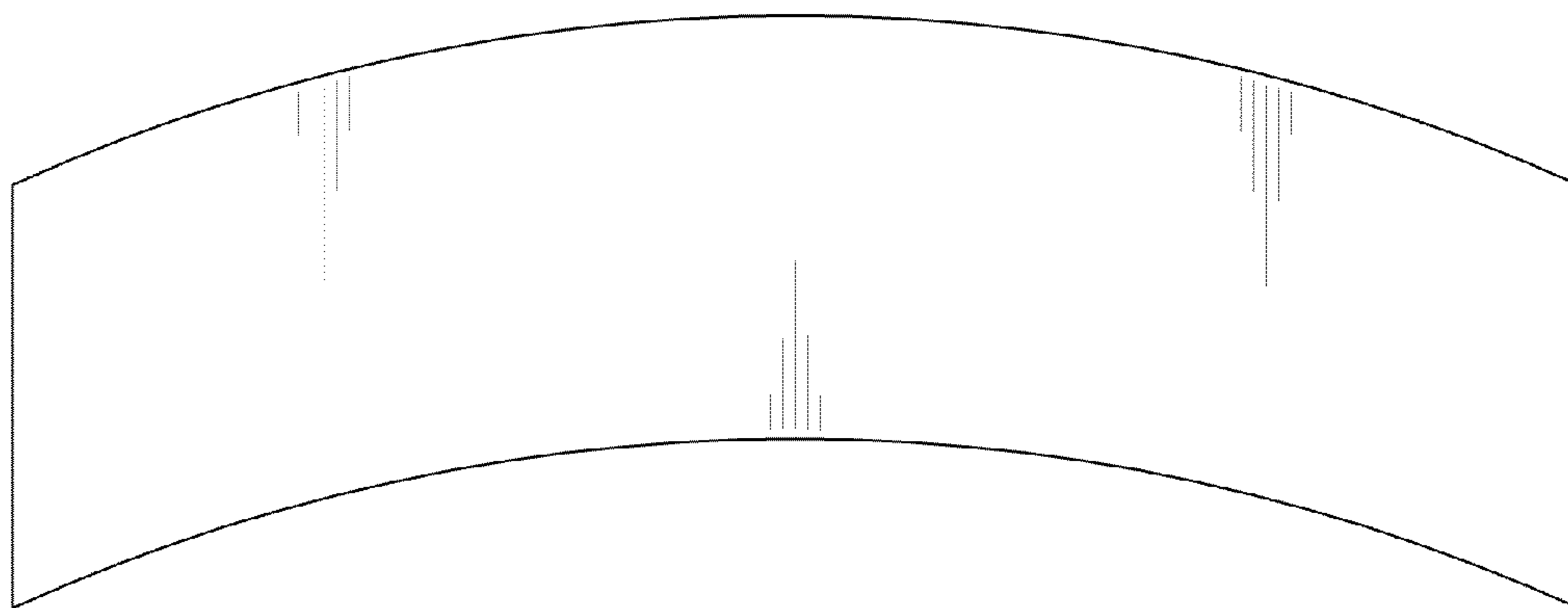


FIG. 7

