



US00D758106S

(12) **United States Design Patent**
Hamm et al.

(10) **Patent No.:** **US D758,106 S**
(45) **Date of Patent:** **** *Jun. 7, 2016**

(54) **DISPLAY STRUCTURE**

CPC A47F 5/0018; A47F 5/0081
See application file for complete search history.

(71) Applicant: **Apple Inc.**, Cupertino, CA (US)

(56) **References Cited**

(72) Inventors: **Wesley Bryan Hamm**, San Francisco, CA (US); **Russell John Kaaihue Heirakuji**, Cupertino, CA (US); **Kevin Fenton Smeds**, San Francisco, CA (US); **Frank Craig Thaler**, Santa Cruz, CA (US); **Frederico F. Tio**, La Canada, CA (US)

U.S. PATENT DOCUMENTS

D144,844 S	5/1946	Dunham	
D218,325 S	8/1970	Sherman	
3,721,413 A *	3/1973	Robinson	248/174
4,116,509 A	9/1978	Smith	
D250,868 S	1/1979	Ornatek	
D274,203 S	6/1984	Everett	
D277,057 S	1/1985	Franklin	
D288,997 S	3/1987	Kraynak	
D290,204 S	6/1987	Bruget	

(73) Assignee: **Apple Inc.**, Cupertino, CA (US)

(Continued)

(*) Notice: This patent is subject to a terminal disclaimer.

Primary Examiner — Kelley Donnelly

(**) Term: **14 Years**

(74) *Attorney, Agent, or Firm* — Sterne, Kessler, Goldstein & Fox P.L.L.C.

(21) Appl. No.: **29/489,107**

(22) Filed: **Apr. 25, 2014**

(57) **CLAIM**

Related U.S. Application Data

The ornamental design for a display structure, as shown and described.

(60) Continuation of application No. 29/471,331, filed on Oct. 30, 2013, which is a continuation of application No. 29/419,471, filed on Apr. 27, 2012, now Pat. No. Des. 693,156, which is a division of application No. 29/406,695, filed on Nov. 17, 2011, now Pat. No. Des. 679,521, which is a continuation of application No. 29/393,349, filed on Jun. 2, 2011, now Pat. No. Des. 657,978, which is a continuation of application No. 29/393,288, filed on Jun. 1, 2011, now Pat. No. Des. 678,696.

DESCRIPTION

(51) **LOC (10) Cl.** **06-06**

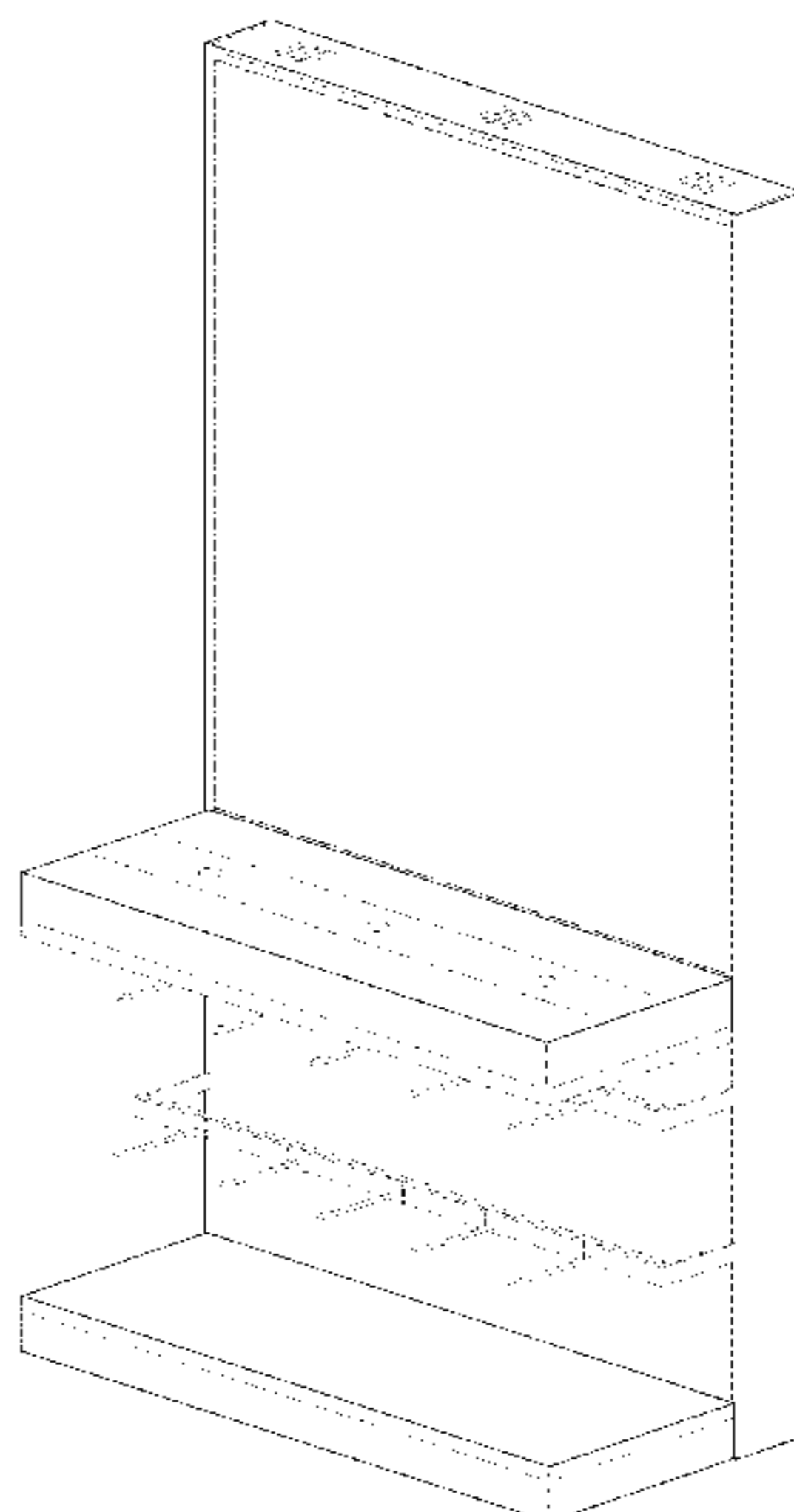
(52) **U.S. Cl.**
USPC **D6/672**

(58) **Field of Classification Search**
USPC D6/468, 470, 473-479, 396-397, D6/432-436, 449-451, 672-673, D6/675-675.1; 211/42, 44-45, 48, 50, 211/90.01, 133.1; 312/7.2, 9.1, 107-109, 312/117-119, 278-279; 108/59, 108, 161

FIG. 1 is a front perspective view of a display structure showing our new design;
FIG. 2 is a front view thereof;
FIG. 3 is a left side view thereof;
FIG. 4 is a right side view thereof;
FIG. 5 is a top view thereof;
FIG. 6 is a bottom view thereof; and,
FIG. 7 is a rear view thereof.

The dashed broken lines in the figures show portions of the display structure that form no part of the claimed design. The dot-dash broken lines in the figures indicate boundaries that, along with the area within the dot-dash lines, form no part of the claimed design.

1 Claim, 7 Drawing Sheets



(56)

References Cited

U.S. PATENT DOCUMENTS

D291,512 S *	8/1987	Everett	D6/465	D590,630 S	4/2009	Singler et al.
D317,681 S *	6/1991	Stewart et al.	D6/310	D591,078 S	4/2009	Singler et al.
D321,100 S	10/1991	Dorrell			D591,079 S	4/2009	Singler et al.
D323,944 S	2/1992	Maas			D591,974 S	5/2009	Singler et al.
D347,755 S	6/1994	Houston			D591,979 S	5/2009	Singler et al.
D351,863 S *	10/1994	Sarkisian et al.	D20/41	D592,422 S	5/2009	Rheault
D354,638 S	1/1995	Todd et al.			D593,775 S	6/2009	Singler et al.
D365,947 S	1/1996	Howard			D597,340 S	8/2009	Helgesen et al.
5,577,817 A	11/1996	Reynolds			D607,669 S	1/2010	Trinh et al.
D377,012 S *	12/1996	Oslund	D14/128	D607,670 S	1/2010	Trinh et al.
5,607,070 A *	3/1997	Hellyer	211/189	D608,565 S	1/2010	Mori
D379,377 S *	5/1997	Rath	D20/41	D610,832 S	3/2010	Rheault
D392,686 S *	3/1998	Sarkisian et al.	D20/41	D632,903 S	2/2011	Paul
D395,677 S *	6/1998	Gongora et al.	D20/10	D636,441 S *	4/2011	Potts D20/19
D397,562 S *	9/1998	DePottay et al.	D6/468	D637,421 S	5/2011	Theisen et al.
D398,462 S	9/1998	Baluk et al.			D637,422 S	5/2011	Theisen et al.
D398,653 S *	9/1998	Hiraguchi et al.	D20/10	D639,086 S *	6/2011	Curbbun et al. D6/396
5,890,607 A *	4/1999	Maglione	211/189	D641,989 S	7/2011	Giroux et al.
D427,808 S	7/2000	Bedard			D641,992 S	7/2011	Giroux et al.
6,170,678 B1	1/2001	de la Fuente			D642,824 S	8/2011	Theisen et al.
D438,256 S *	2/2001	Timmermans et al.	D20/10	D644,039 S	8/2011	Naples et al.
D438,403 S	3/2001	Greenburg			D646,503 S	10/2011	Fiori
D439,445 S	3/2001	Riga et al.			D648,783 S	11/2011	Mathea
D442,796 S	5/2001	Brozak			D649,192 S	11/2011	Beukema et al.
D443,308 S *	6/2001	Kovell	D20/10	D653,475 S	2/2012	Thompson
D457,016 S	5/2002	Dudley			D655,947 S	3/2012	Doane
D458,059 S	6/2002	Dudley			D657,978 S	4/2012	Hamm et al.
D468,134 S *	1/2003	Oikawa	D6/466	D658,615 S *	5/2012	Chiu D14/126
D478,582 S *	8/2003	Becker et al.	D14/302	D660,361 S *	5/2012	Carver, Jr. D20/19
D501,284 S	1/2005	Mount			D661,123 S *	6/2012	Curbbun et al. D6/396
D509,543 S *	9/2005	Hillstrom et al.	D20/41	D661,922 S	6/2012	Mitri
D515,846 S	2/2006	Reeves et al.			8,228,668 B2 *	7/2012	Asamarai et al. 361/679.05
D521,275 S	5/2006	Dusenberry			D678,696 S	3/2013	Hamm et al.
D522,274 S	6/2006	Coval			D679,521 S	4/2013	Hamm et al.
D538,068 S	3/2007	Newhouse et al.			D680,350 S	4/2013	Peake-Atkins et al.
D538,556 S	3/2007	Arias			D688,494 S	8/2013	Hamm et al.
D543,561 S	5/2007	Fogarty et al.			D693,156 S	11/2013	Hamm et al.
D559,577 S *	1/2008	Quinn	D6/397	D722,313 S *	2/2015	Birgeoglu D14/307
D559,581 S	1/2008	Knoettgen-Nap			D722,794 S *	2/2015	Luong D6/673
D576,426 S	9/2008	Yuen-Schat et al.			D723,025 S *	2/2015	Birgeoglu D14/307
D584,075 S *	1/2009	Hung	D6/449	D723,026 S *	2/2015	Birgeoglu D14/307
D585,943 S *	2/2009	Pymm et al.	D20/10	2005/0279033 A1	12/2005	Faber et al.
					2007/0170823 A1	7/2007	Stannis et al.

* cited by examiner

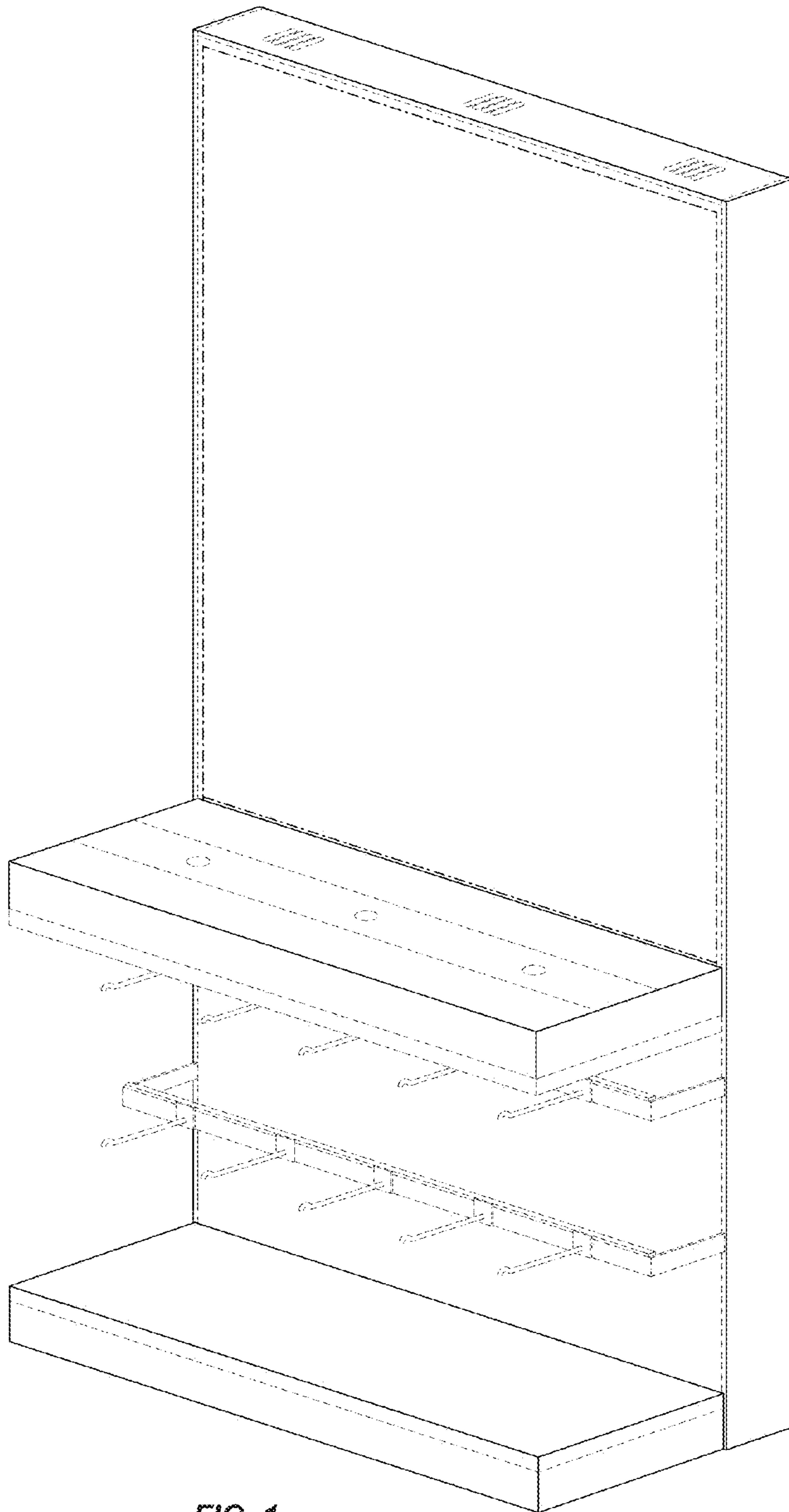


FIG. 1

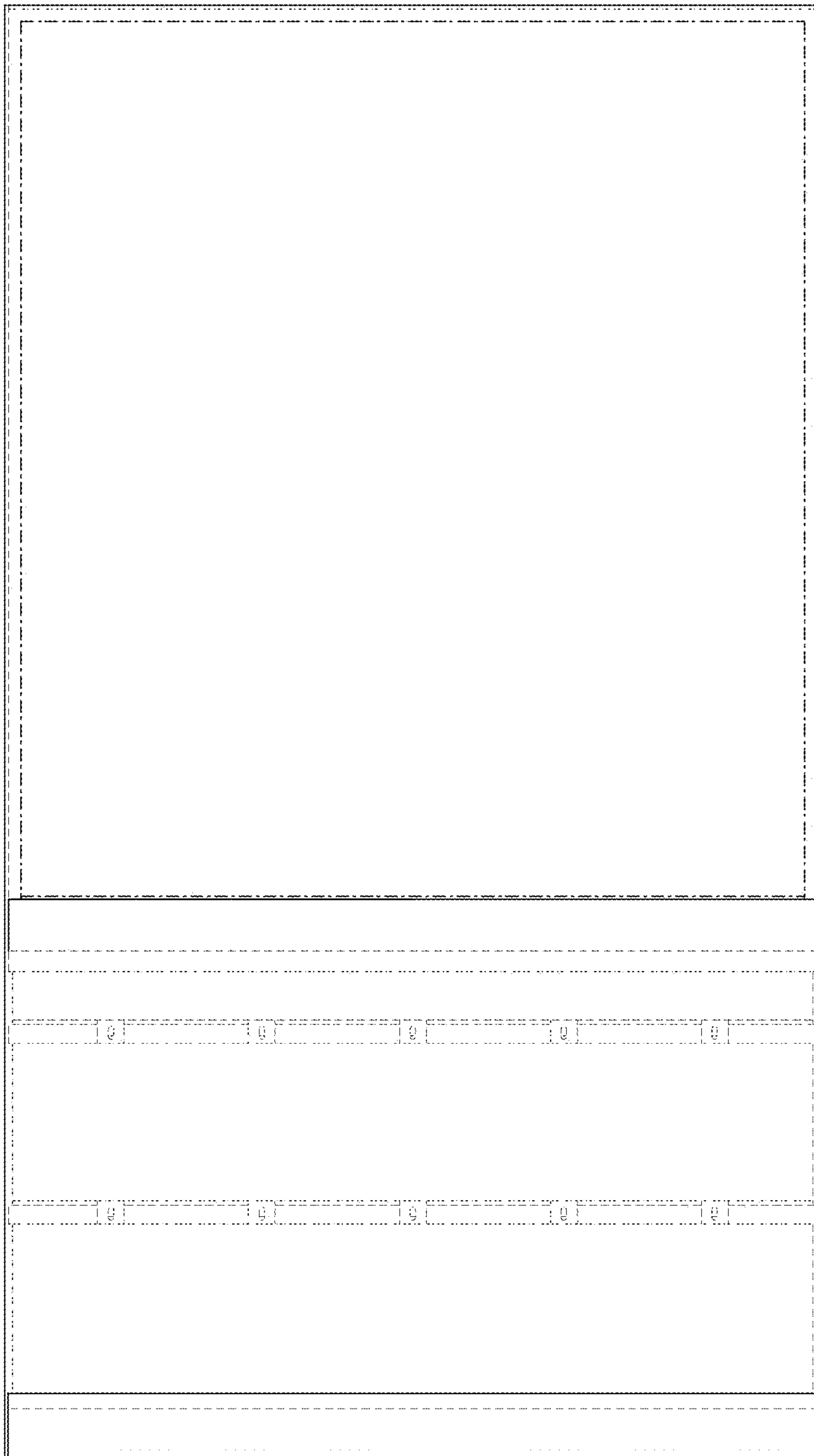


FIG. 2

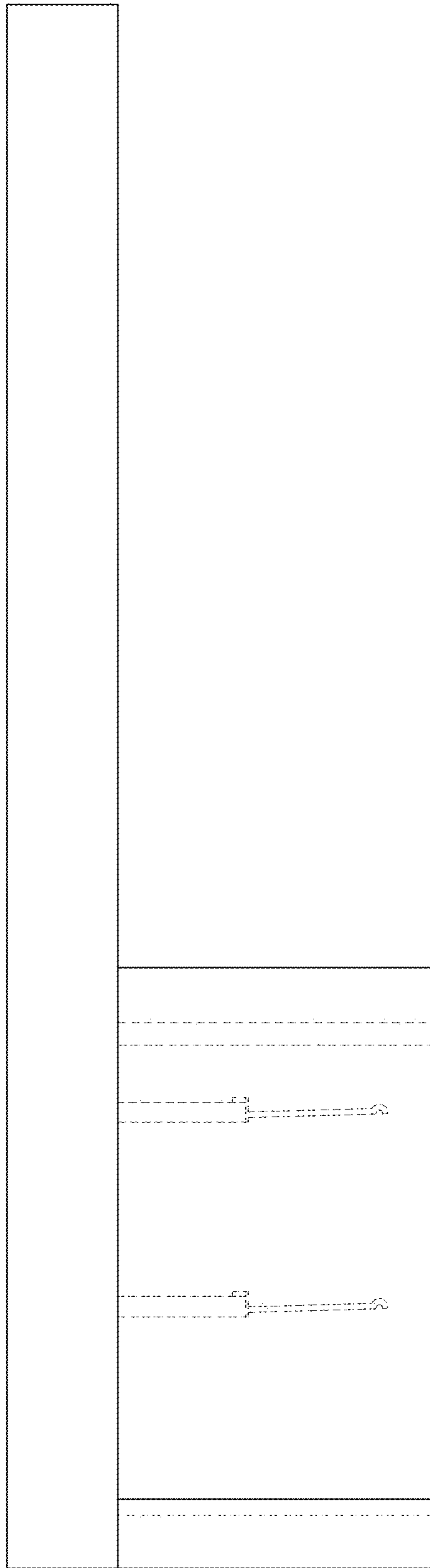


FIG. 3

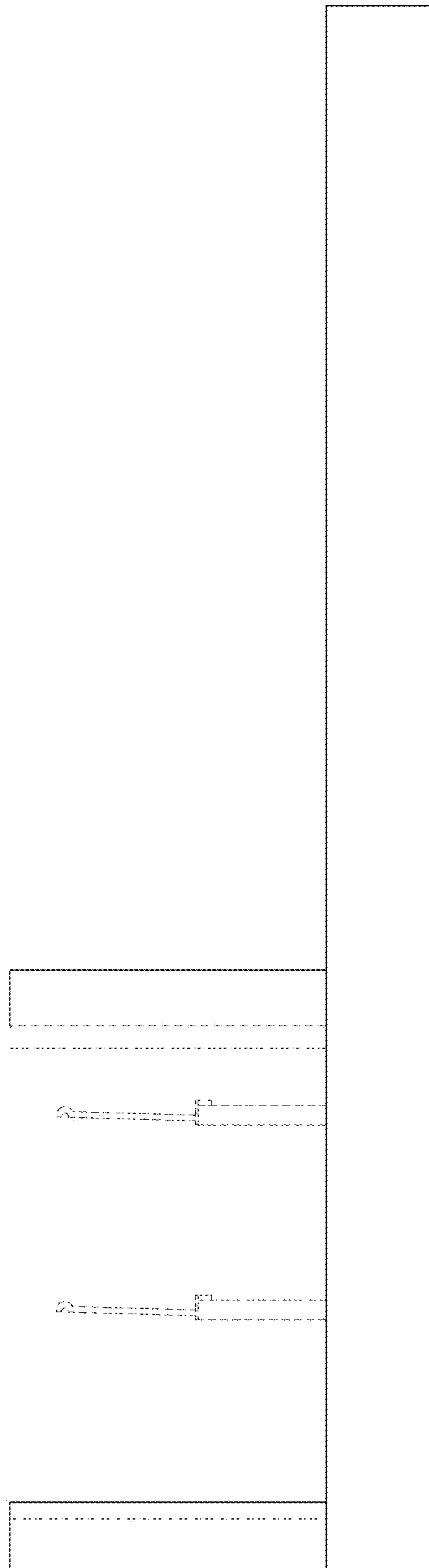


FIG. 4

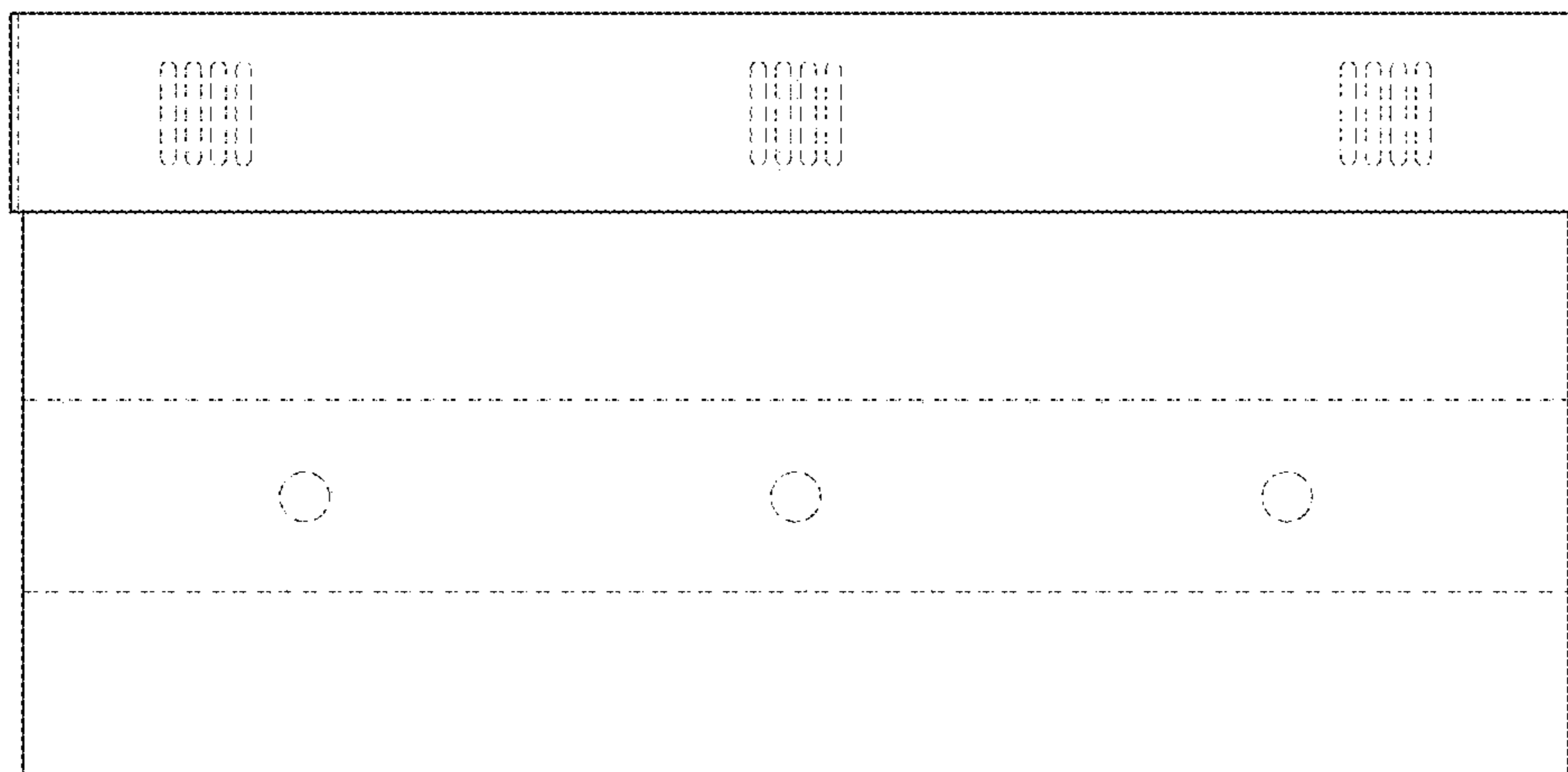


FIG. 5

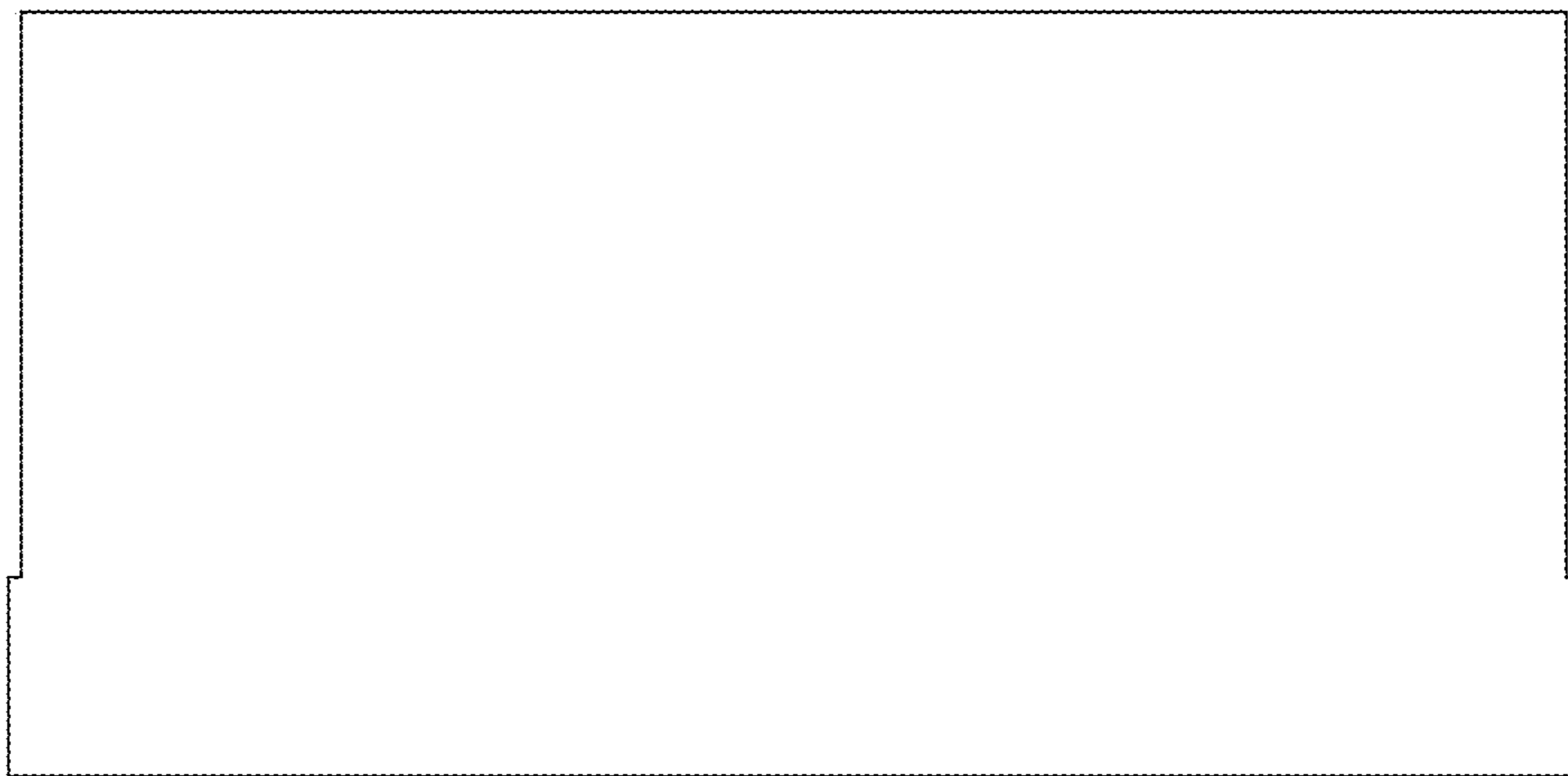


FIG. 6



FIG. 7