



US00D758102S

(12) **United States Design Patent**  
**Mason**

(10) **Patent No.:** **US D758,102 S**  
(45) **Date of Patent:** **\*\* Jun. 7, 2016**

(54) **CUSHION**

(71) Applicant: **Matteo Mason**, Limena (IT)

(72) Inventor: **Matteo Mason**, Limena (IT)

(73) Assignee: **Technogel Italia S.R.L.** (IT)

(\*\*) Term: **15 Years**

(21) Appl. No.: **29/531,275**

(22) Filed: **Jun. 24, 2015**

(30) **Foreign Application Priority Data**

Dec. 30, 2014 (EP) ..... 00267432-0001  
Dec. 30, 2014 (EP) ..... 002607432-0006

(51) **LOC (10) Cl.** ..... **06-09**

(52) **U.S. Cl.**  
USPC ..... **D6/601**

(58) **Field of Classification Search**  
USPC ..... D6/595-601, 604, 611; D21/803, 804;  
D24/183  
CPC ..... A47C 7/12; A47C 7/021; A47C 7/383;  
A47C 7/425; A47C 7/428; A47C 7/546;  
A47C 16/00; A47C 20/00; A47C 20/02;  
A47C 20/021; A47C 20/026; A47C 20/027;  
A47C 31/11; A47C 27/001; A47C 27/081;  
A47C 1/146; A47G 9/00; A47G 9/10; A47G  
9/07; A47G 9/1027; A47G 9/1045; A47G  
9/1054; A47G 9/1063; A47G 9/1072; A47G  
9/1081; A47G 9/109; A47G 2009/1018;  
A47G 2009/1036

See application file for complete search history.

(56) **References Cited**

U.S. PATENT DOCUMENTS

958,502 A \* 5/1910 Kennedy ..... A47G 9/10  
5/190  
5,163,194 A \* 11/1992 Dixon ..... A47G 9/1081  
5/636  
5,226,188 A \* 7/1993 Liou ..... A47C 7/742  
297/452.46

5,299,851 A \* 4/1994 Lin ..... A47C 7/465  
297/284.4  
5,771,514 A \* 6/1998 Wilhoit ..... A47G 9/1027  
5/421  
5,802,644 A \* 9/1998 Scheurer ..... A47G 9/10  
5/640  
D448,228 S \* 9/2001 Davis ..... D6/601  
6,345,401 B1 \* 2/2002 Frydman ..... A47G 9/10  
5/636  
6,513,179 B1 \* 2/2003 Pan ..... A47G 9/109  
5/636  
D507,142 S \* 7/2005 Akamatsu ..... D6/601  
6,951,038 B1 \* 10/2005 Ganoë, Sr. .... A47G 9/1027  
5/636  
D511,213 S \* 11/2005 Hasegawa ..... D24/200  
D516,855 S \* 3/2006 Akamatsu ..... D6/601  
D677,506 S \* 3/2013 Lai ..... D6/601  
D707,982 S \* 7/2014 Chin ..... D6/601  
D737,073 S \* 8/2015 Hawkins ..... D6/601  
9,138,084 B1 \* 9/2015 Namolovan ..... A47G 9/007  
2003/0177582 A1 \* 9/2003 Gohl ..... A47G 9/1045  
5/639  
2004/0010853 A1 \* 1/2004 Muci ..... A47C 27/081  
5/644  
2005/0102756 A1 \* 5/2005 Martin ..... A47G 9/10  
5/636  
2008/0155753 A1 \* 7/2008 Cretsinger ..... A47G 9/10  
5/640  
2008/0244832 A1 \* 10/2008 Kuo ..... A47C 7/021  
5/638

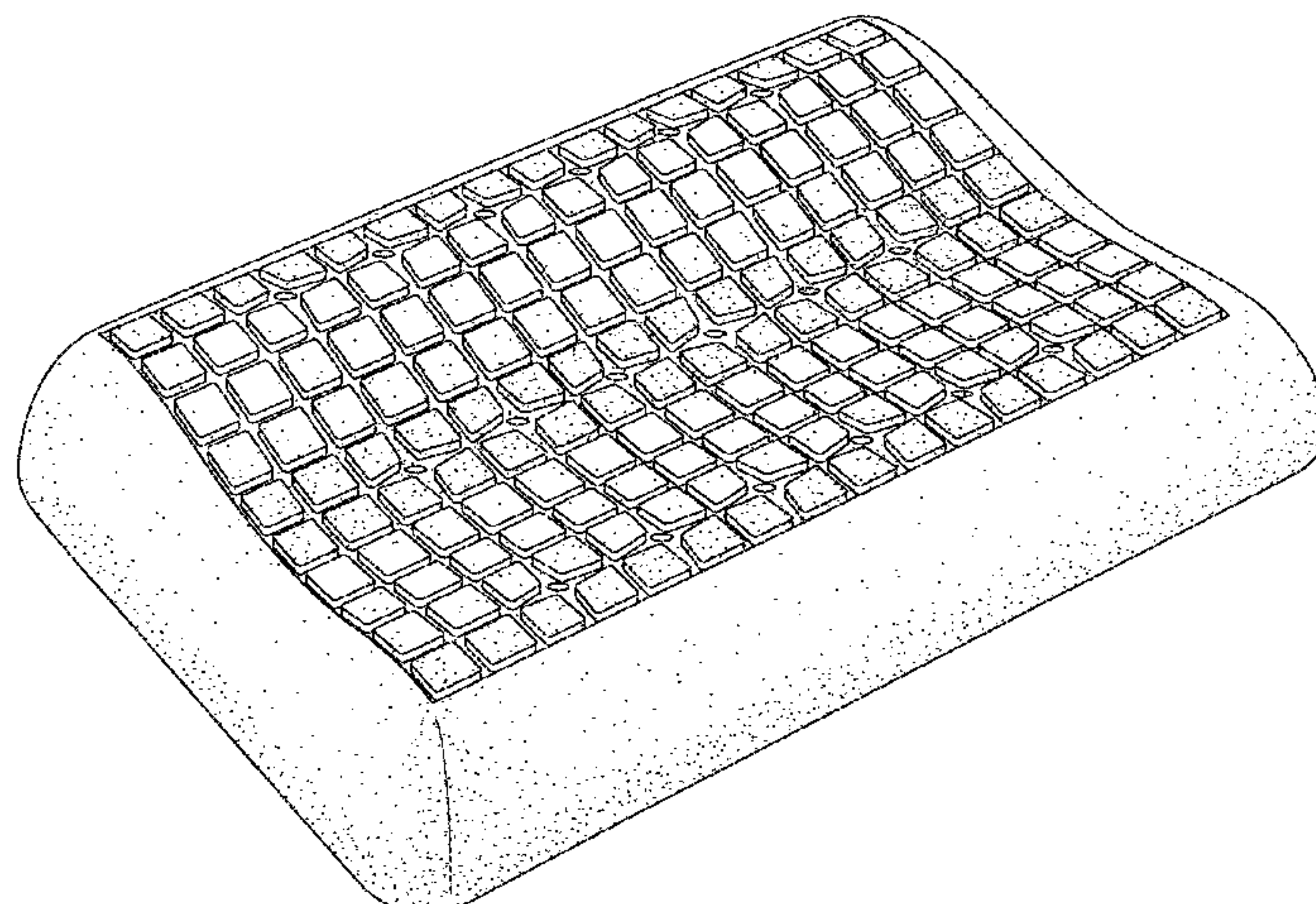
(Continued)

*Primary Examiner* — Rosemary K Tarcza  
*Assistant Examiner* — Sanjeev Paul  
(74) *Attorney, Agent, or Firm* — Cohen & Grigsby, P.C.  
(57) **CLAIM**  
The ornamental design for a cushion, as shown and described.

**DESCRIPTION**

FIG. 1 is a perspective view of the cushion.  
FIG. 2 is a front side view of the cushion.  
FIG. 3 is a rear side view of the cushion.  
FIG. 4 is a right view of the cushion.  
FIG. 5 is a left view of the cushion.  
FIG. 6 is a top view of the cushion; and,  
FIG. 7 is a bottom view of the cushion.

**1 Claim, 7 Drawing Sheets**



(56)

**References Cited**

U.S. PATENT DOCUMENTS

2011/0061167	A1*	3/2011	Farley .....	A47G 9/10 5/652	2014/0283305	A1*	9/2014	Zysman .....	A47C 27/148 5/636
2011/0078860	A1*	4/2011	Sun .....	A47G 9/10 5/640	2015/0040322	A1*	2/2015	Cheng .....	A47G 9/1054 5/638
2013/0291311	A1*	11/2013	Wang .....	A47C 21/046 5/724	2015/0272354	A1*	10/2015	Asklof .....	A47G 9/1036 5/636
2014/0026323	A1*	1/2014	Bowers .....	A47G 9/10 5/636	2015/0313365	A1*	11/2015	Thomas .....	A47C 1/16 5/653
2014/0115789	A1*	5/2014	Ramdath .....	A47C 20/027 5/648	2016/0007671	A1*	1/2016	Prust .....	A47C 27/144 2/411
					2016/0022063	A1*	1/2016	Fulkerson .....	A47G 9/10 5/636

\* cited by examiner

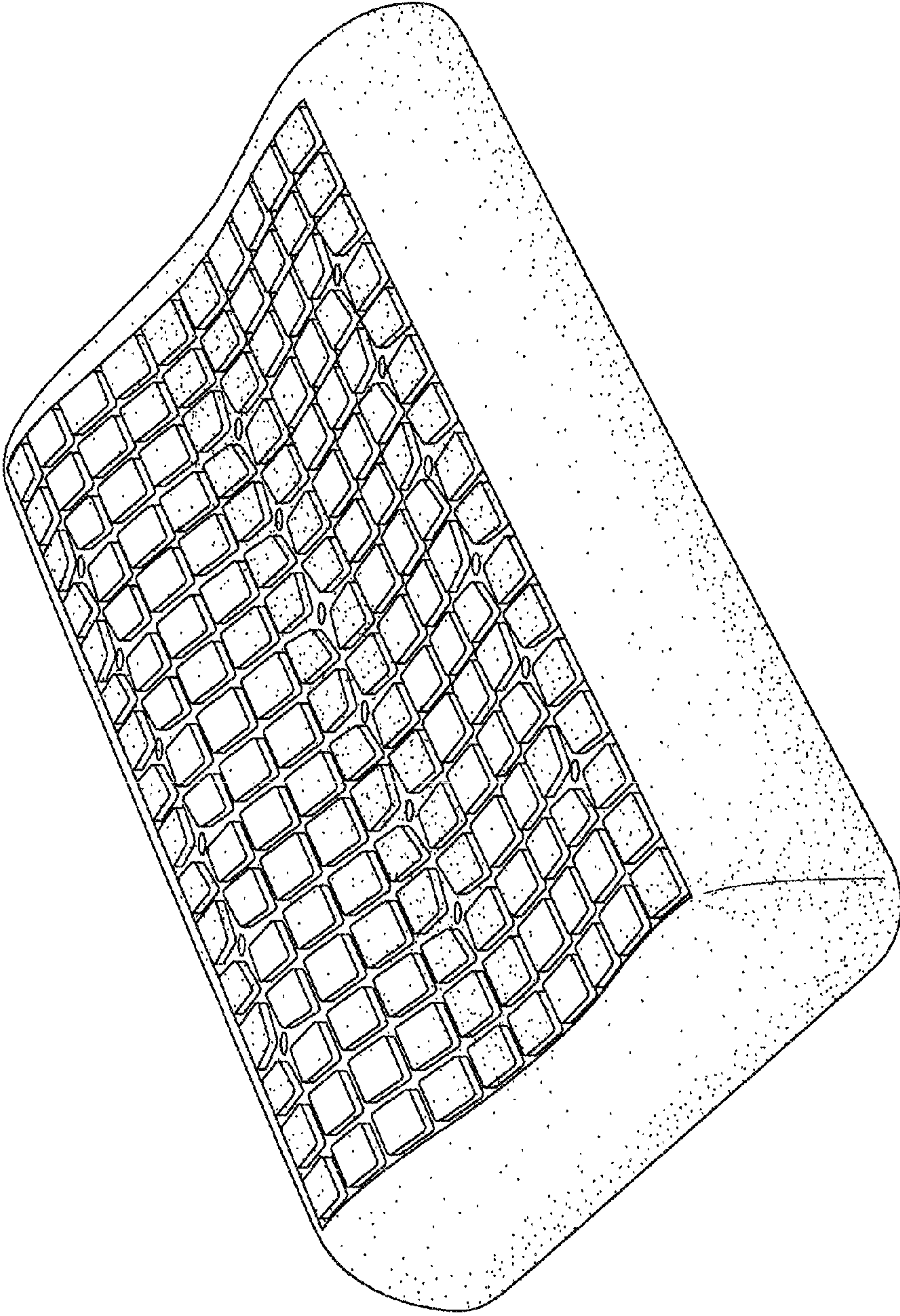


FIG. 1



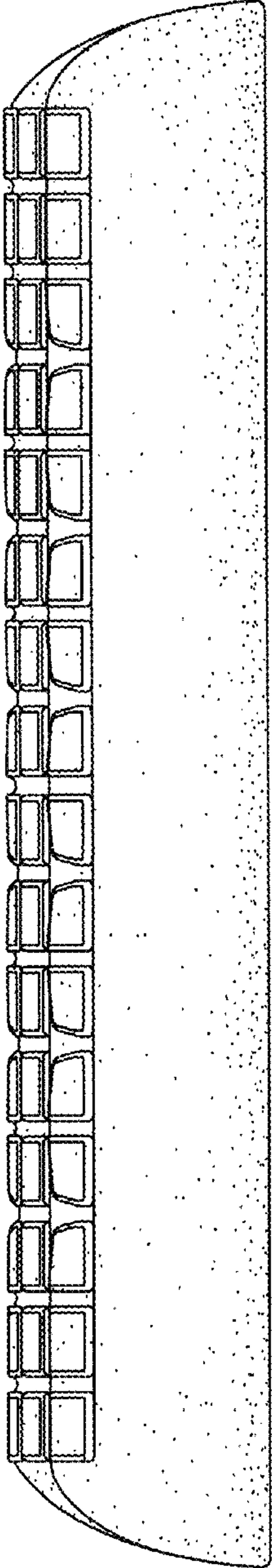


FIG. 2

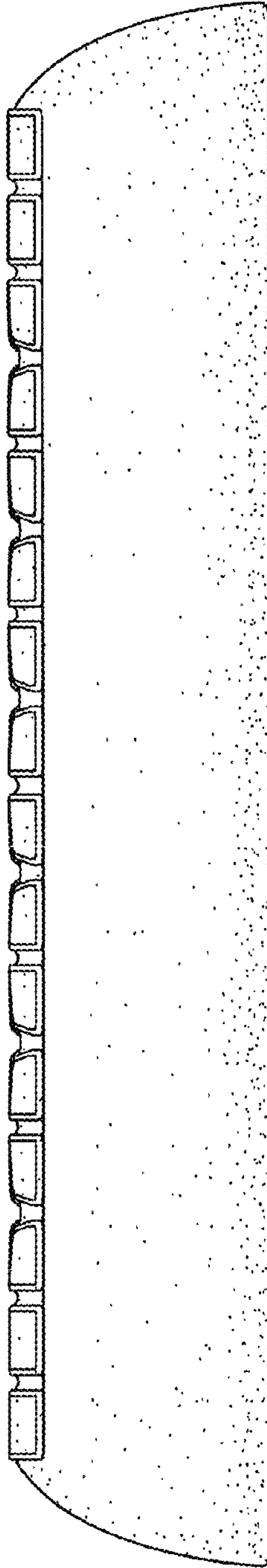


FIG. 3

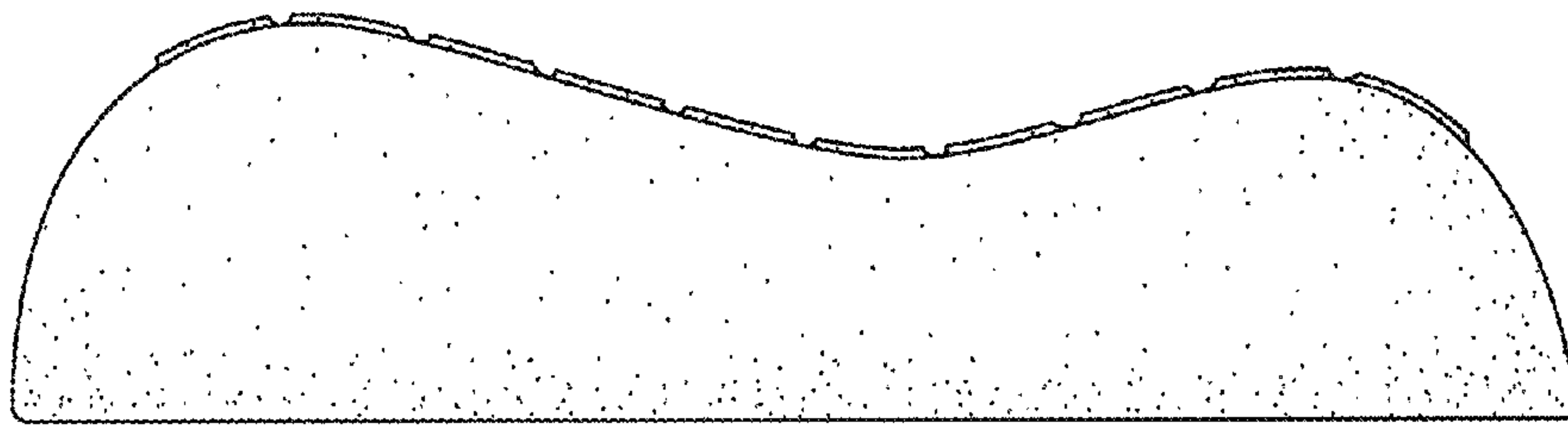


FIG. 4

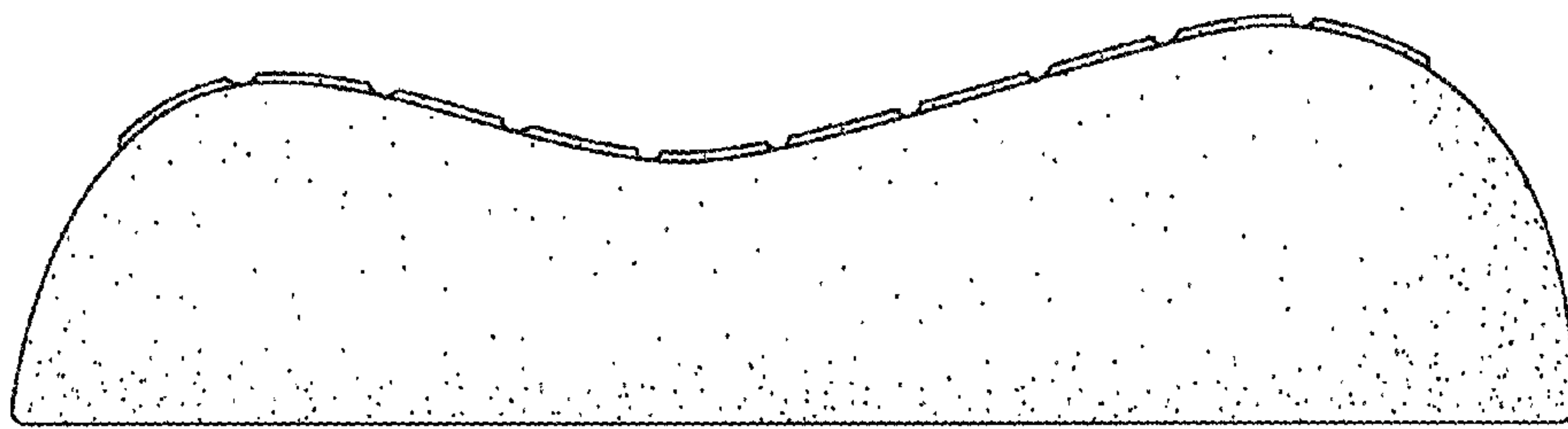


FIG. 5

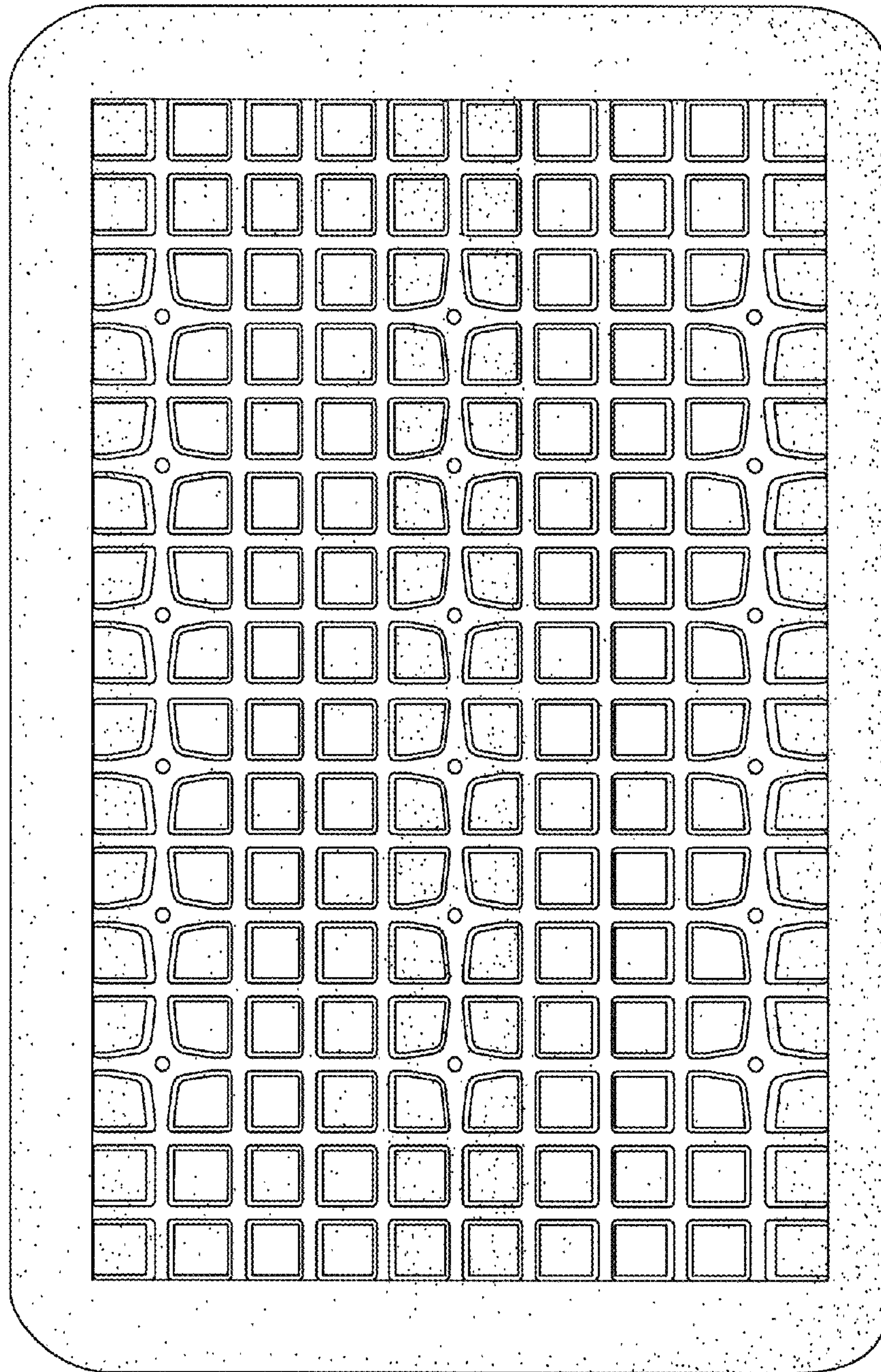


FIG. 6



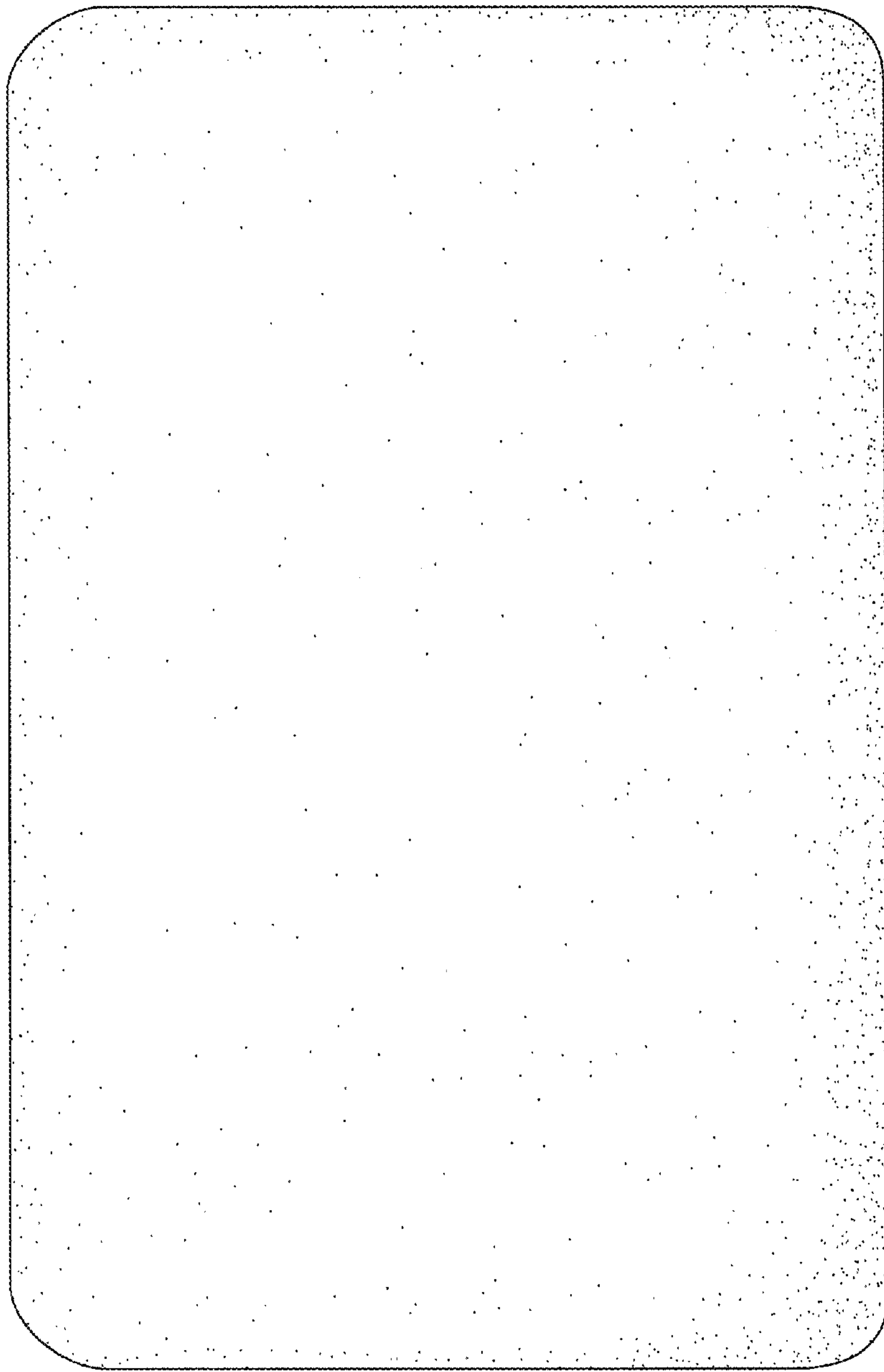


FIG. 7