



US00D758100S

(12) **United States Design Patent**
Pham

(10) **Patent No.:** **US D758,100 S**
(45) **Date of Patent:** **** Jun. 7, 2016**

- (54) **CERVICAL PILLOW**
- (71) Applicant: **Loan Kim Thi Pham**, HCMC (VN)
- (72) Inventor: **Loan Kim Thi Pham**, HCMC (VN)
- (**) Term: **14 Years**
- (21) Appl. No.: **29/504,753**
- (22) Filed: **Oct. 9, 2014**
- (51) **LOC (10) Cl.** **06-09**
- (52) **U.S. Cl.**
USPC **D6/601**
- (58) **Field of Classification Search**
USPC D6/595–601, 604–606; D21/803, 804;
D24/183, 184; D30/118, 119;
D25/119–121, 123, 125
CPC A47C 7/383; A47C 7/46; A47C 20/00;
A47C 20/21; A47C 20/25; A47D 13/00;
A47D 13/08; A47G 9/00; A47G 9/10; A47G
9/1027; A47G 9/2036; A47G 9/1081; A47G
2009/1018; A61F 5/01; A62B 9/06
See application file for complete search history.

- 5,474,513 A * 12/1995 Carlesimo A61F 5/01
482/140
- 5,682,633 A * 11/1997 Davis A47G 9/1081
5/636
- 6,345,401 B1 * 2/2002 Frydman A47G 9/10
5/636
- D457,771 S * 5/2002 Boxrud D6/601
- D542,071 S * 5/2007 Chan D6/601
- 7,210,178 B2 * 5/2007 DiGirolamo A47G 9/10
5/636
- D550,974 S * 9/2007 Thornbury D6/361
- D595,527 S * 7/2009 Carter D6/601
- D670,873 S * 11/2012 Seliskar D30/118
- 8,671,484 B1 * 3/2014 Logiodice A47D 13/08
5/655

* cited by examiner

Primary Examiner — Mary Ann Calabrese
(74) *Attorney, Agent, or Firm* — BN IP-Consulting LLC;
Binh-An Nguyen

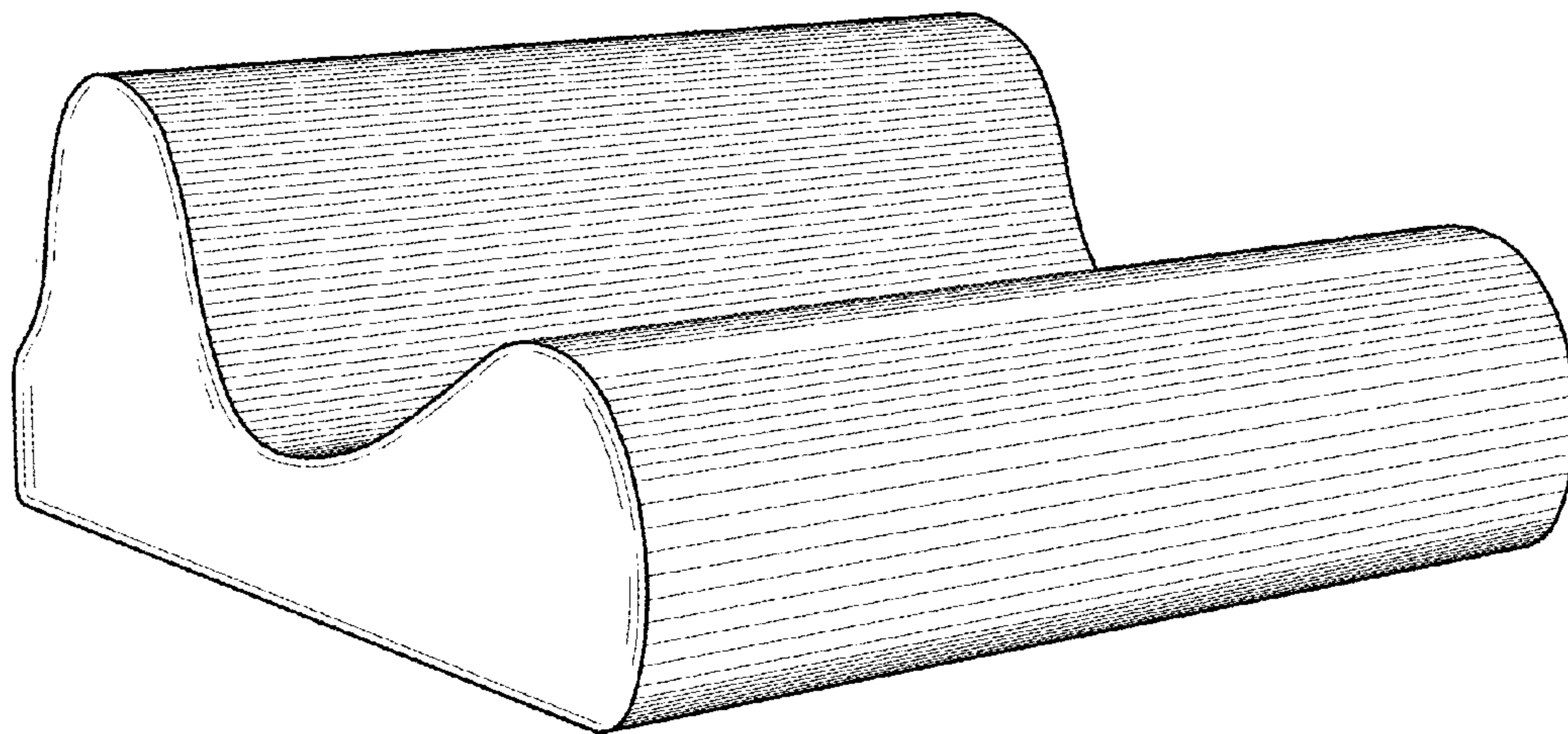
(57) **CLAIM**
The ornamental design for a cervical pillow, as shown and described.

DESCRIPTION

FIG. 1 is a perspective left-front view of a cervical pillow according to the invention.
FIG. 2 is a front perspective view thereof.
FIG. 3 is a left side perspective view thereof.
FIG. 4 is an enlarged bottom perspective view thereof.
FIG. 5 is a top perspective view thereof; and,
FIG. 6 is a back perspective view thereof.
The left and right side views are symmetric.

1 Claim, 5 Drawing Sheets

- (56) **References Cited**
U.S. PATENT DOCUMENTS
4,027,888 A * 6/1977 Wilcox A47C 27/086
297/284.1
D254,029 S * 1/1980 Barbagallo 5/636
D328,682 S * 8/1992 Carney D6/601



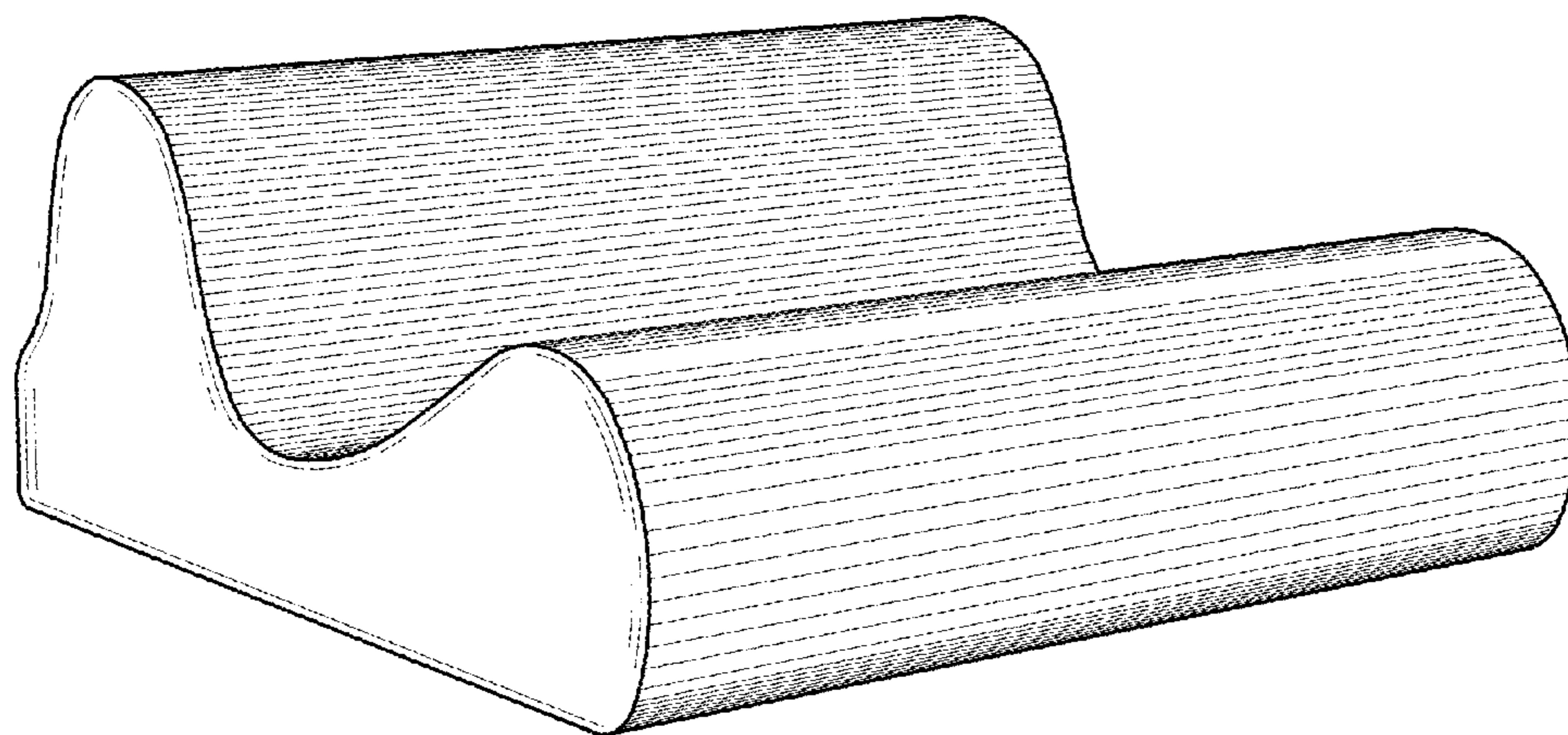


FIG. 1

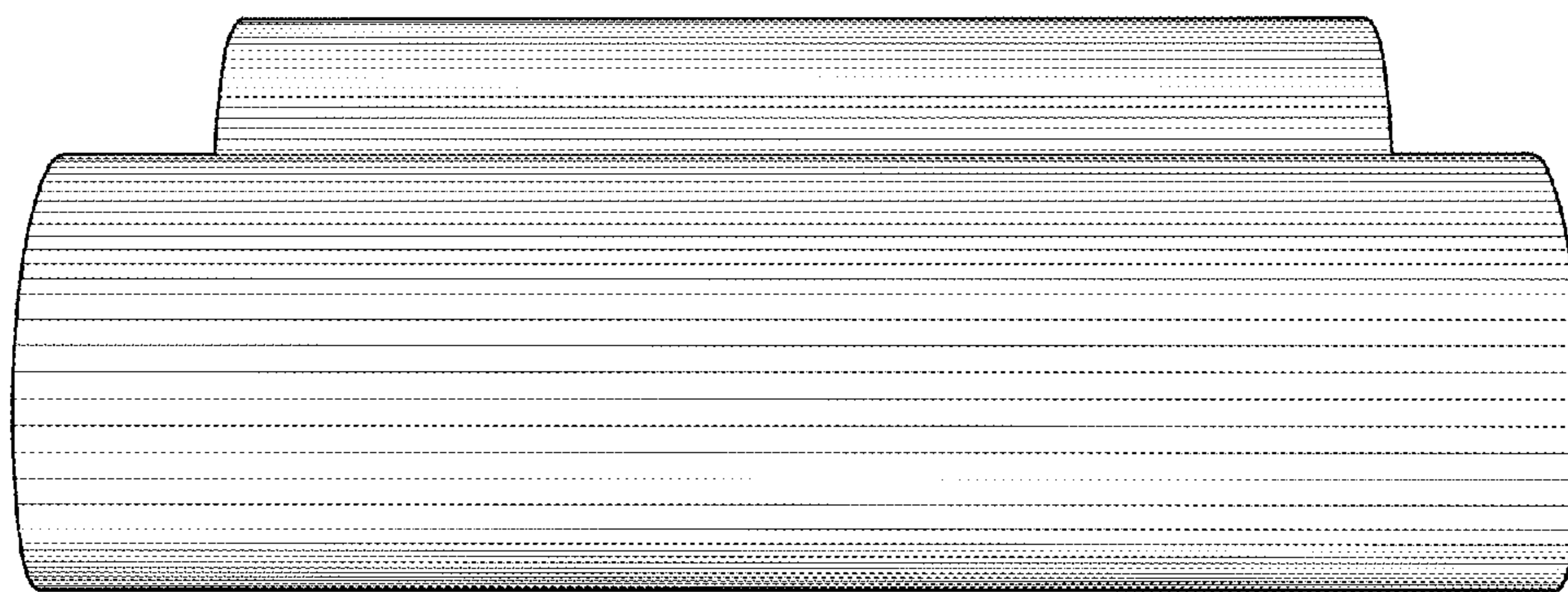


FIG. 2

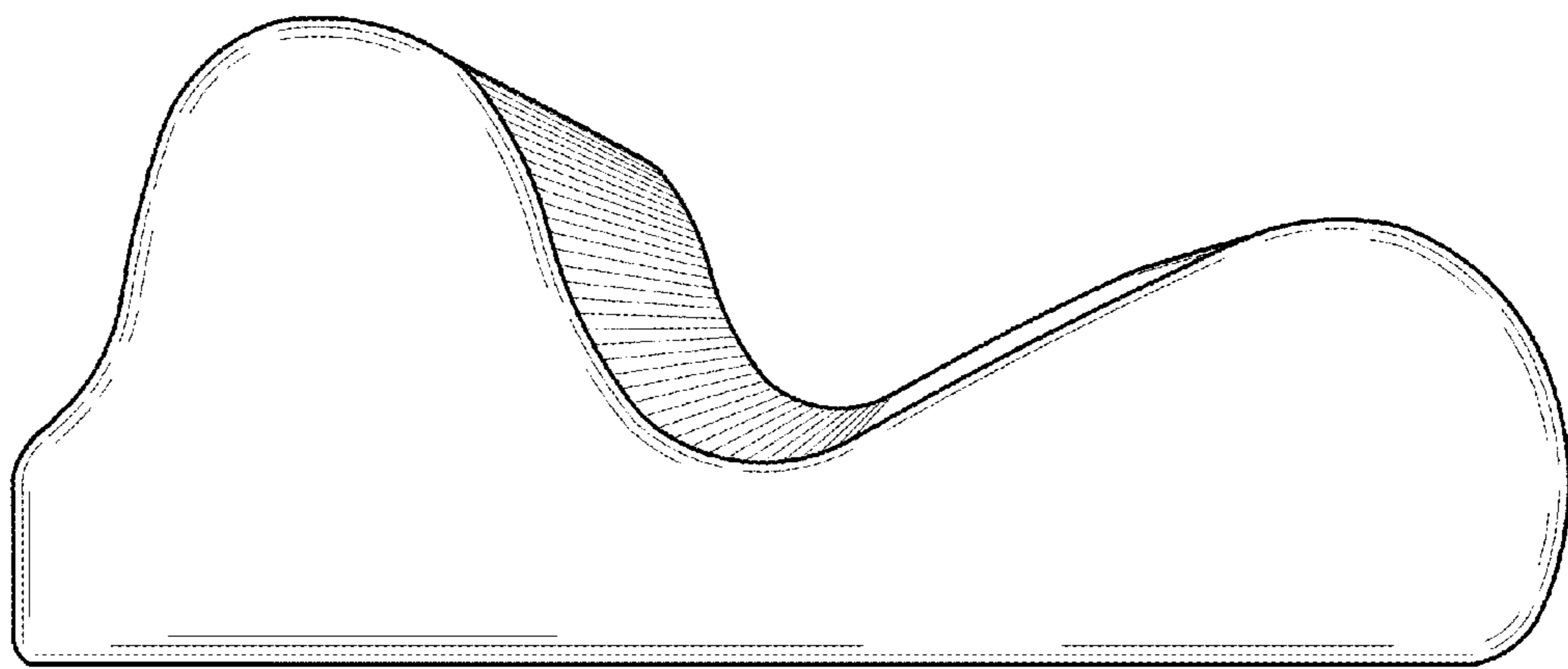


FIG. 3

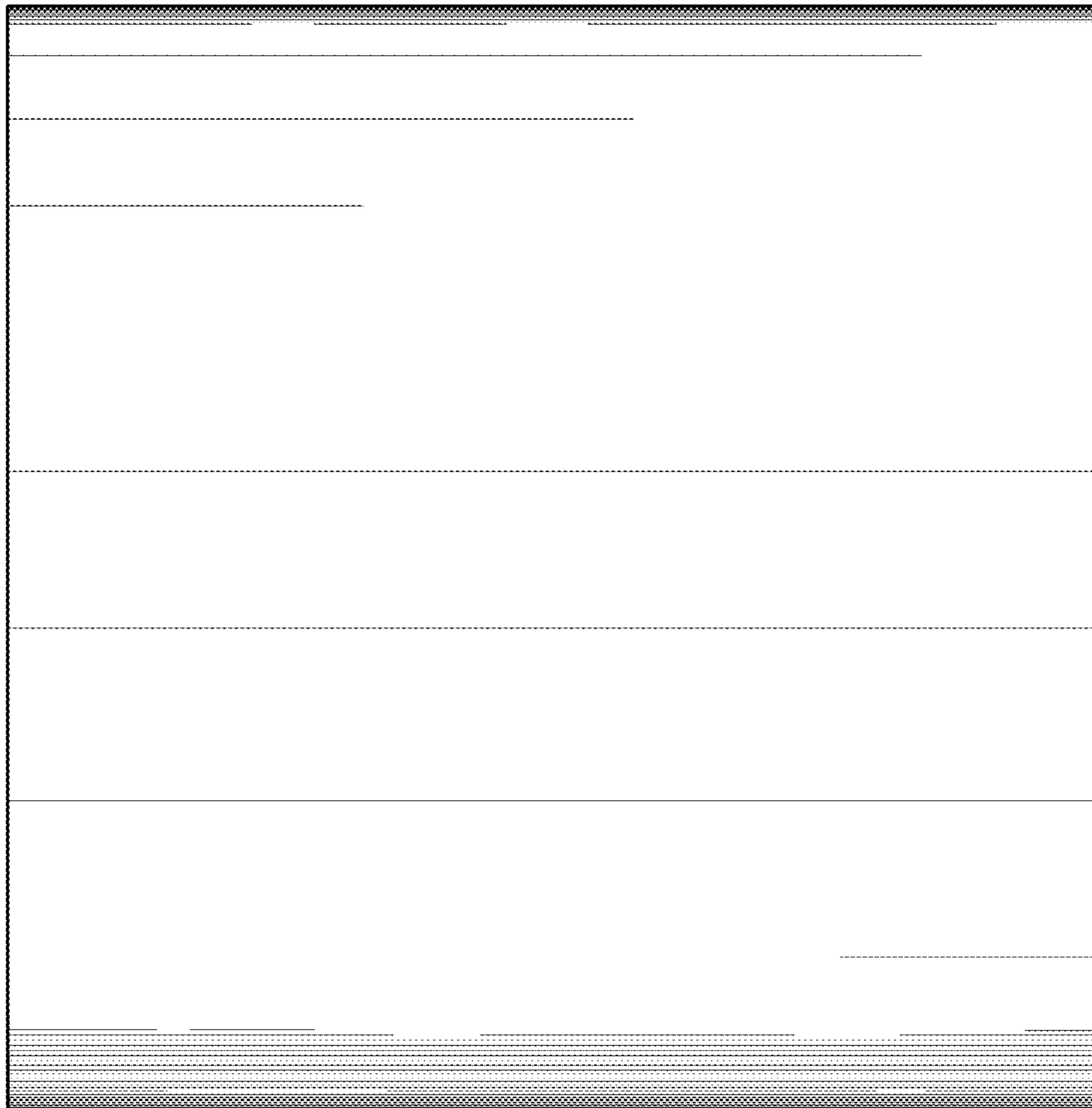


FIG. 4

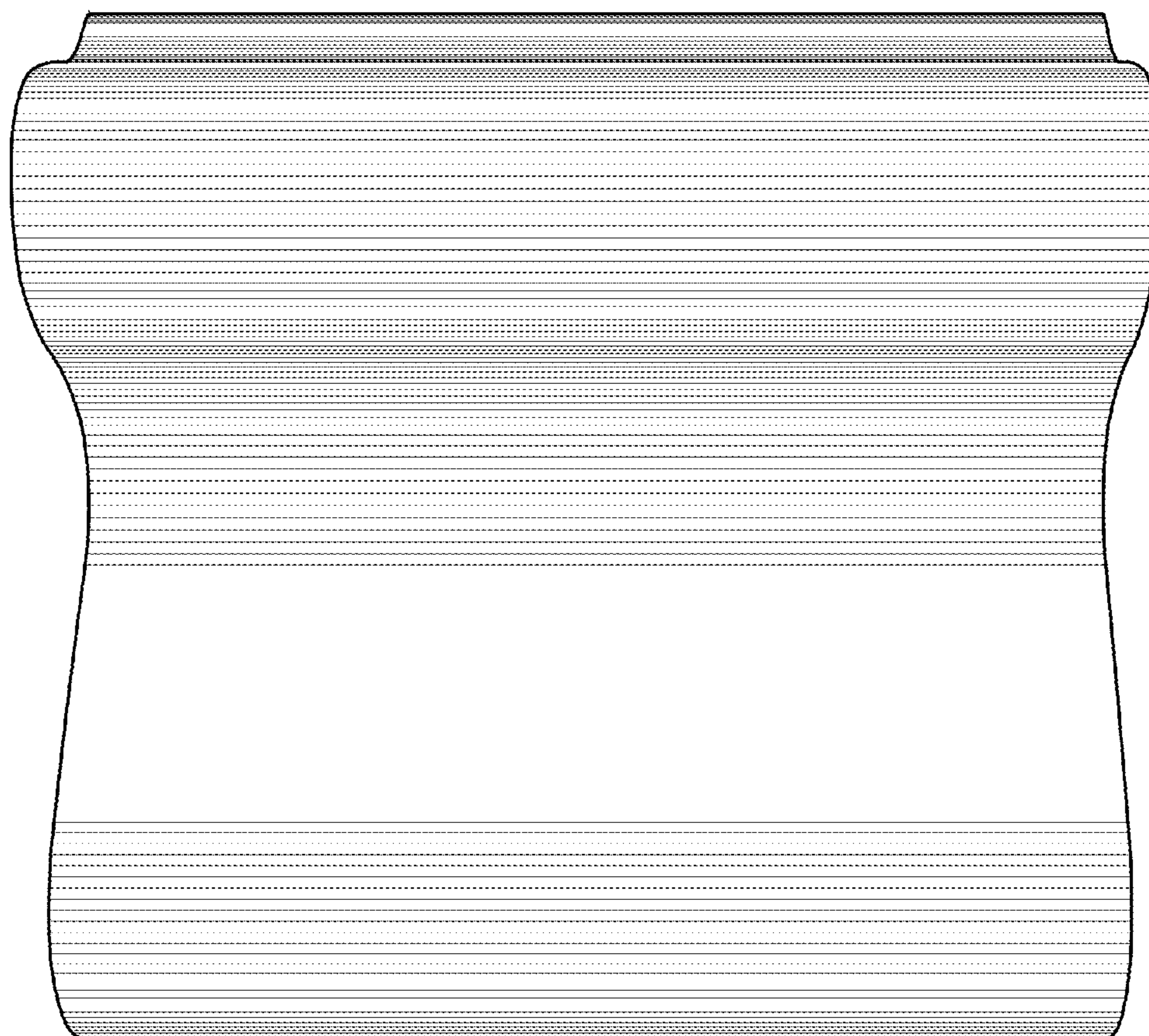


FIG. 5

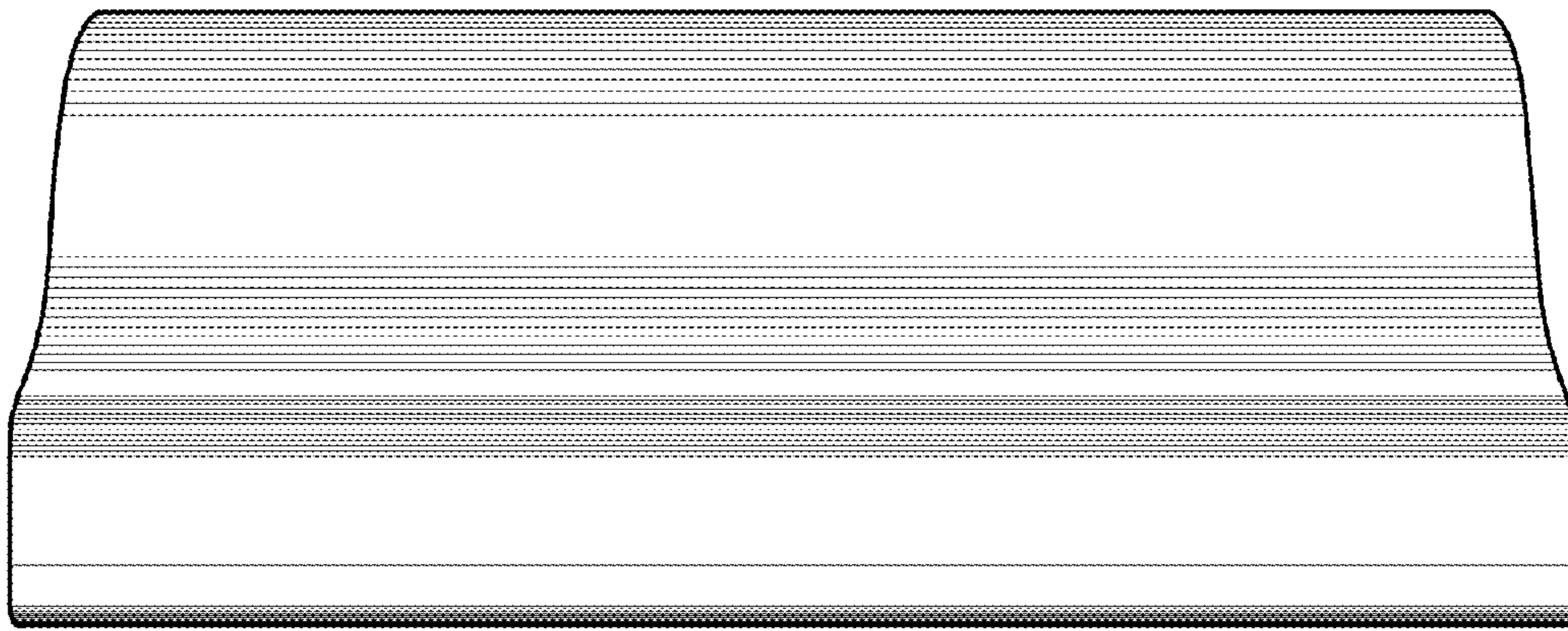


FIG. 6