



US00D758099S

(12) **United States Design Patent**
Pham

(10) **Patent No.:** **US D758,099 S**
(45) **Date of Patent:** **** Jun. 7, 2016**

(54) **LUMBAR PILLOW**

(71) Applicant: **Loan Kim Thi Pham, HCMC (VN)**

(72) Inventor: **Loan Kim Thi Pham, HCMC (VN)**

(**) Term: **14 Years**

(21) Appl. No.: **29/504,752**

(22) Filed: **Oct. 9, 2014**

(51) **LOC (10) Cl.** **06-09**

(52) **U.S. Cl.**
USPC **D6/601**

(58) **Field of Classification Search**
USPC D6/595-601, 604-606; D21/803, 804;
D24/183, 184; D30/118, 119;
D25/119-121, 123, 125
CPC A47C 7/383; A47C 7/46; A47C 20/00;
A47C 20/21; A47C 20/25; A47D 13/00;
A47D 13/08; A47G 9/00; A47G 9/10; A47G
9/1027; A47G 9/1036; A47G 9/1081; A47G
2009/1018; A61F 5/01; A62B 9/06
See application file for complete search history.

(56) **References Cited**

U.S. PATENT DOCUMENTS

D273,915 S * 5/1984 Pike D6/349
D306,491 S * 3/1990 Hallengren D25/124

D340,380 S * 10/1993 McDonald D6/601
D347,541 S * 6/1994 Cook D6/596
D401,104 S * 11/1998 Denney D6/601
D503,579 S * 4/2005 Covert D6/601
D703,772 S * 4/2014 Sterios D21/688
2004/0139549 A1 * 7/2004 Mohrekeshe A47G 9/10
5/636
2012/0260428 A1 * 10/2012 Franklin A47G 9/1009
5/636

* cited by examiner

Primary Examiner — Mary Ann Calabrese

(74) *Attorney, Agent, or Firm* — BN IP-Consulting LLC;
Binh-An Nguyen

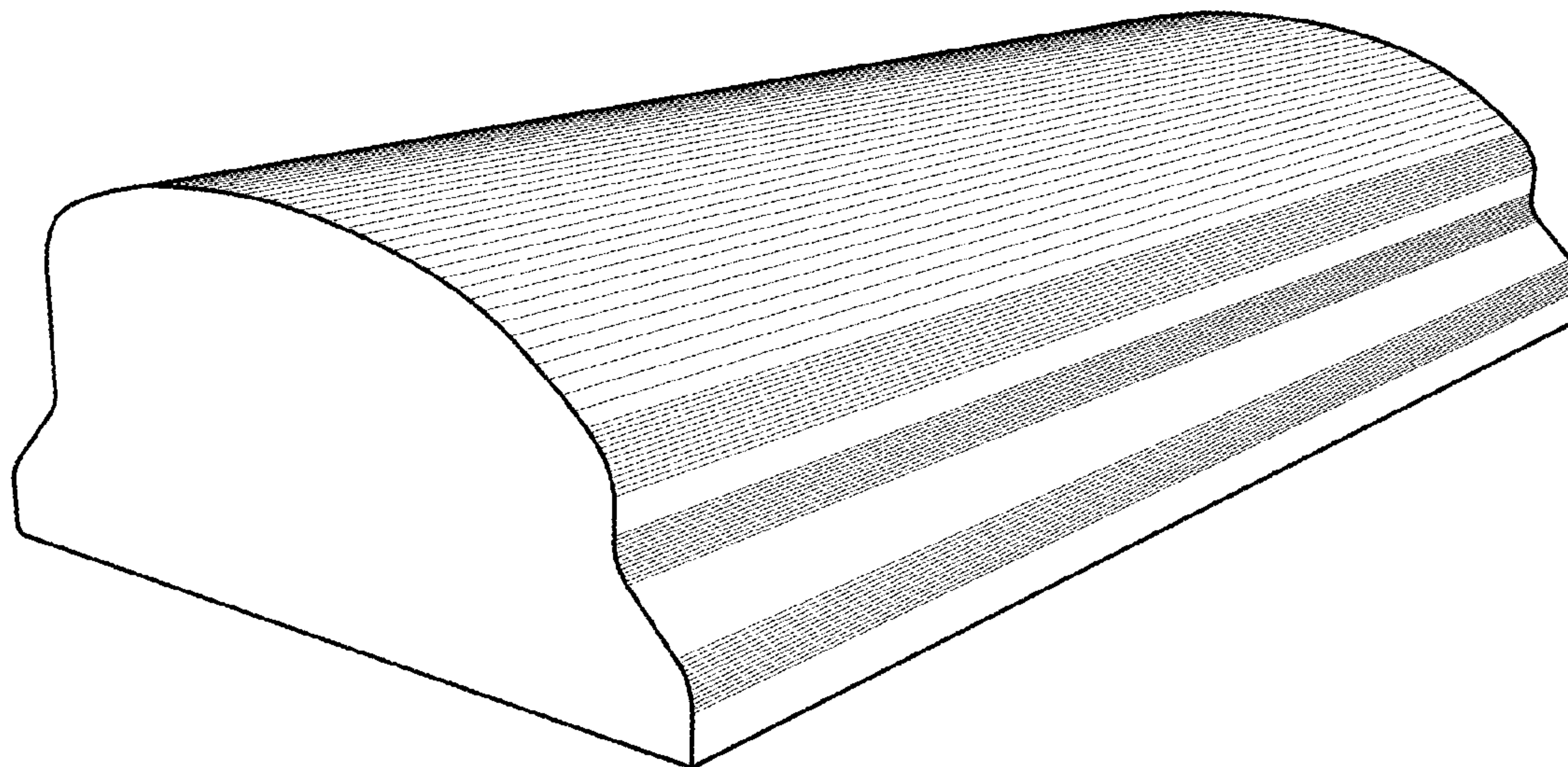
(57) **CLAIM**

The ornamental design for a lumbar pillow, as shown and described.

DESCRIPTION

FIG. 1 is a perspective left-front view of a lumbar pillow according to the invention.
FIG. 2 is a front perspective view thereof.
FIG. 3 is an enlarged left side perspective view thereof.
FIG. 4 is a bottom perspective view thereof.
FIG. 5 is a top perspective view thereof; and,
FIG. 6 is a back perspective view thereof.
The left and right side views are symmetric.

1 Claim, 3 Drawing Sheets



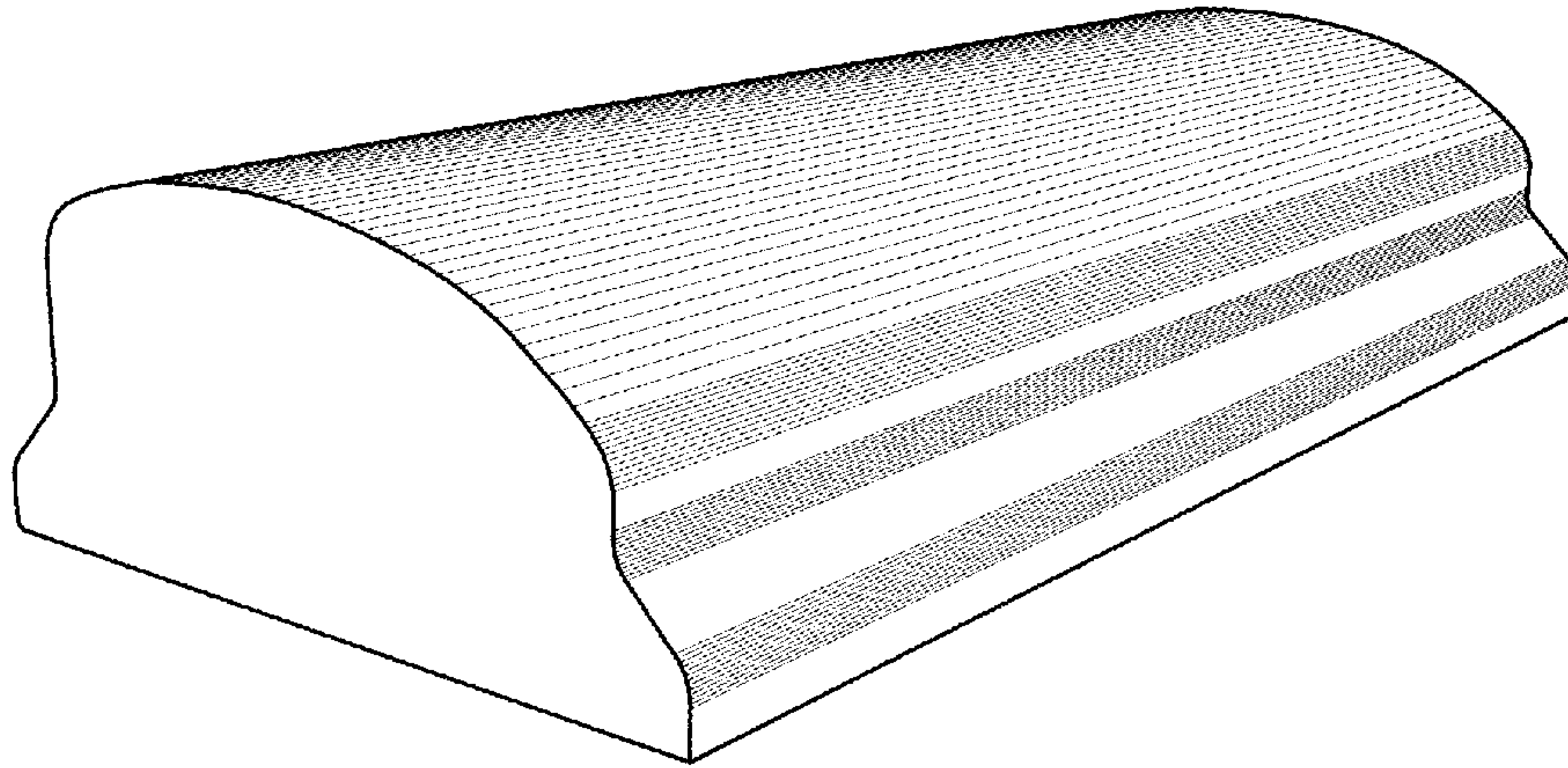


FIG. 1

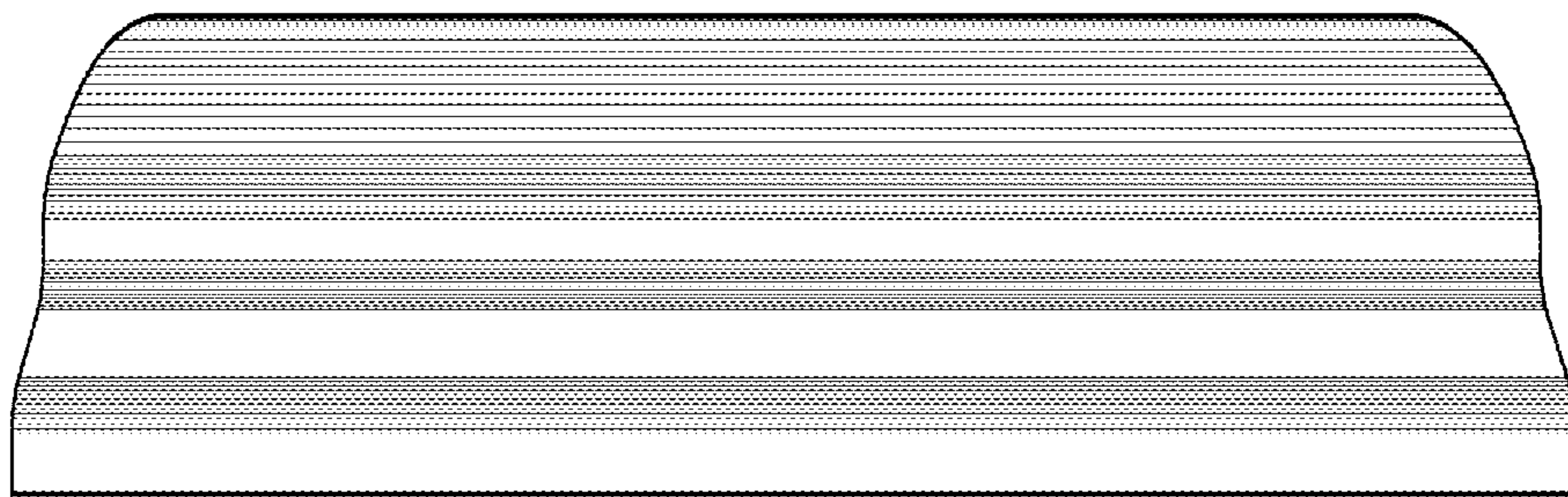


FIG. 2

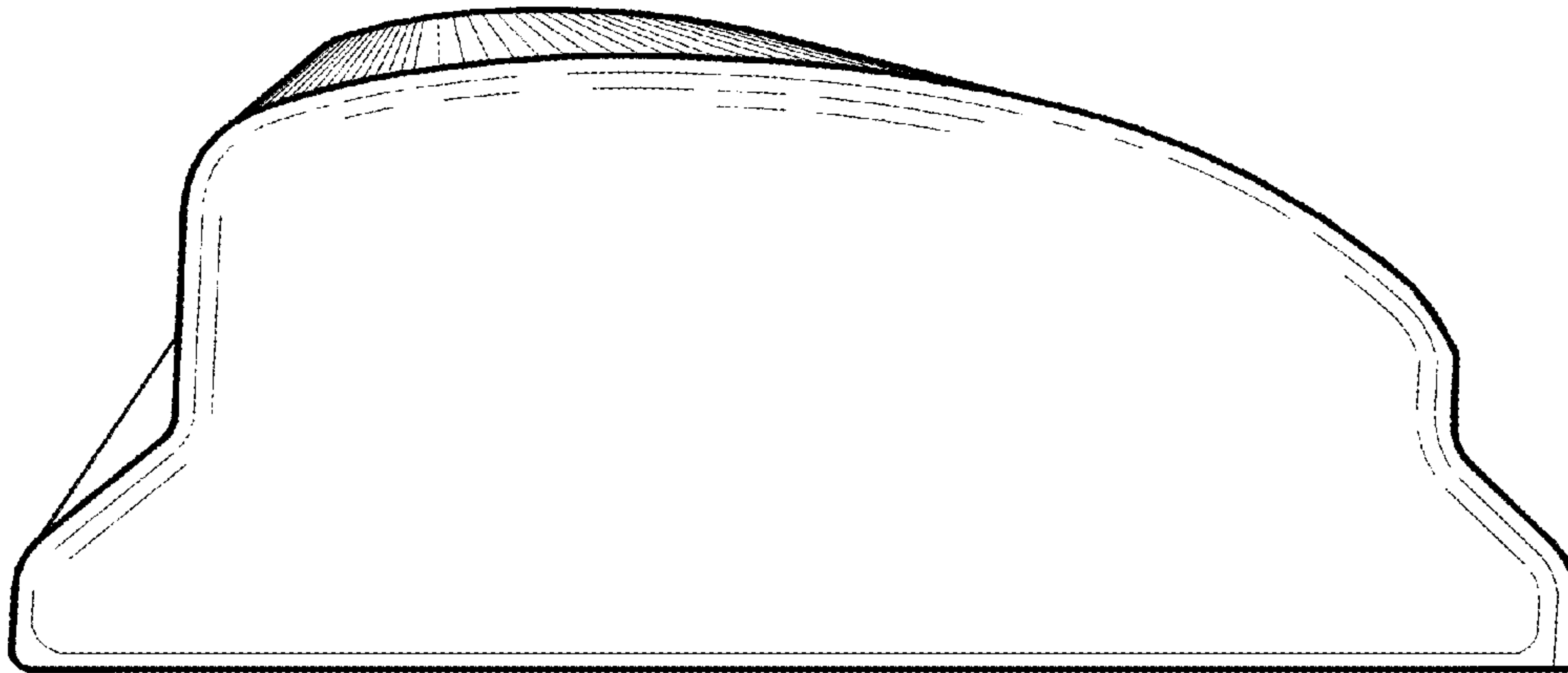


FIG. 3

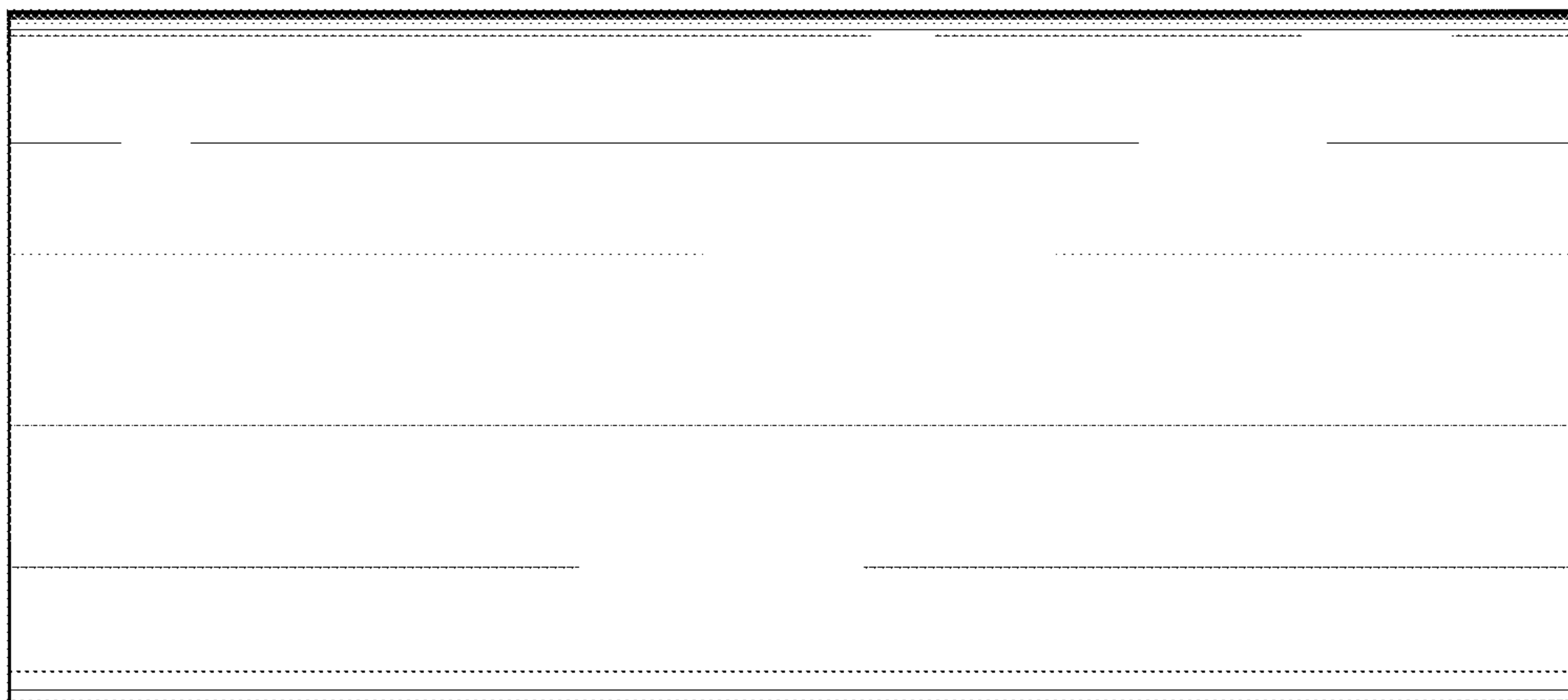


FIG. 4

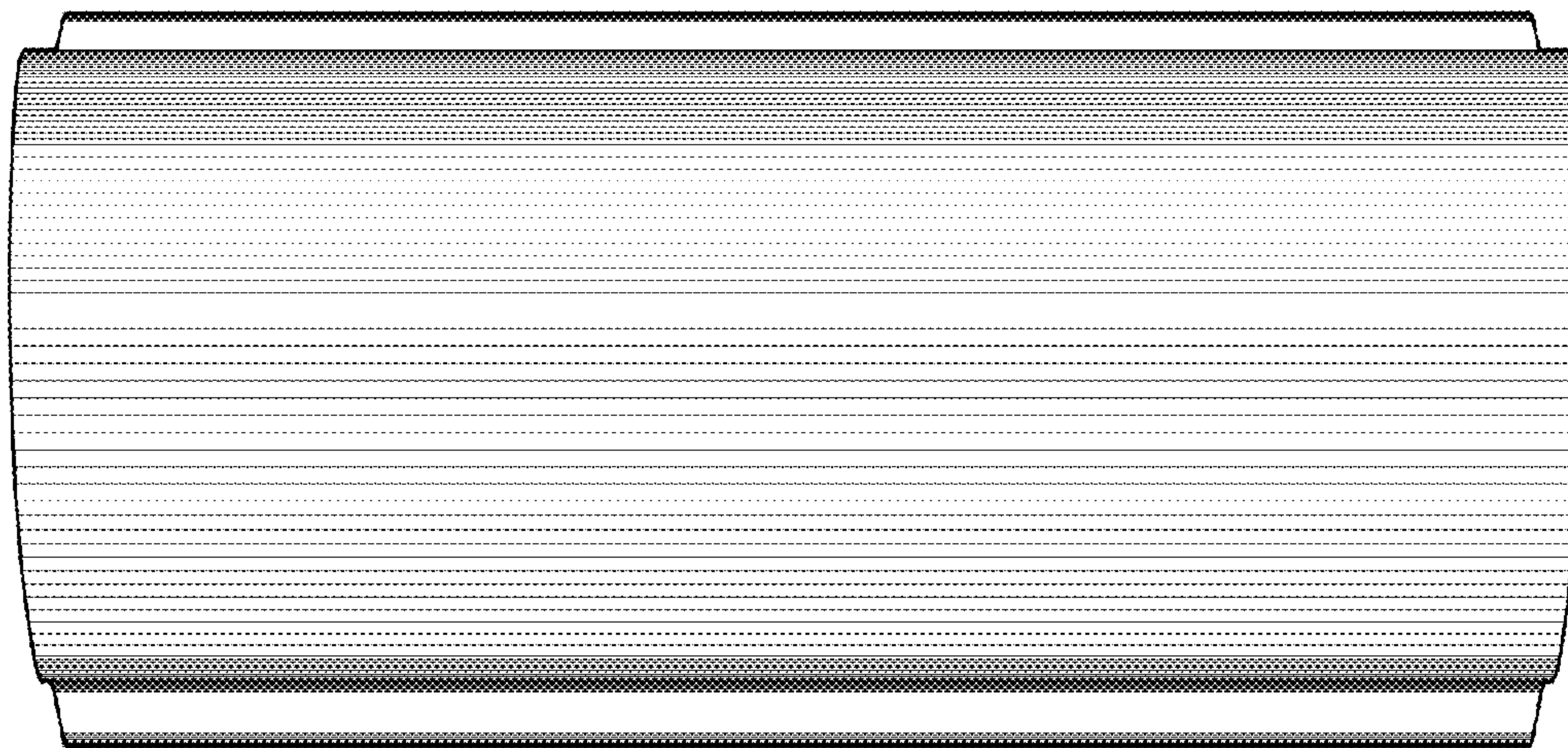


FIG. 5

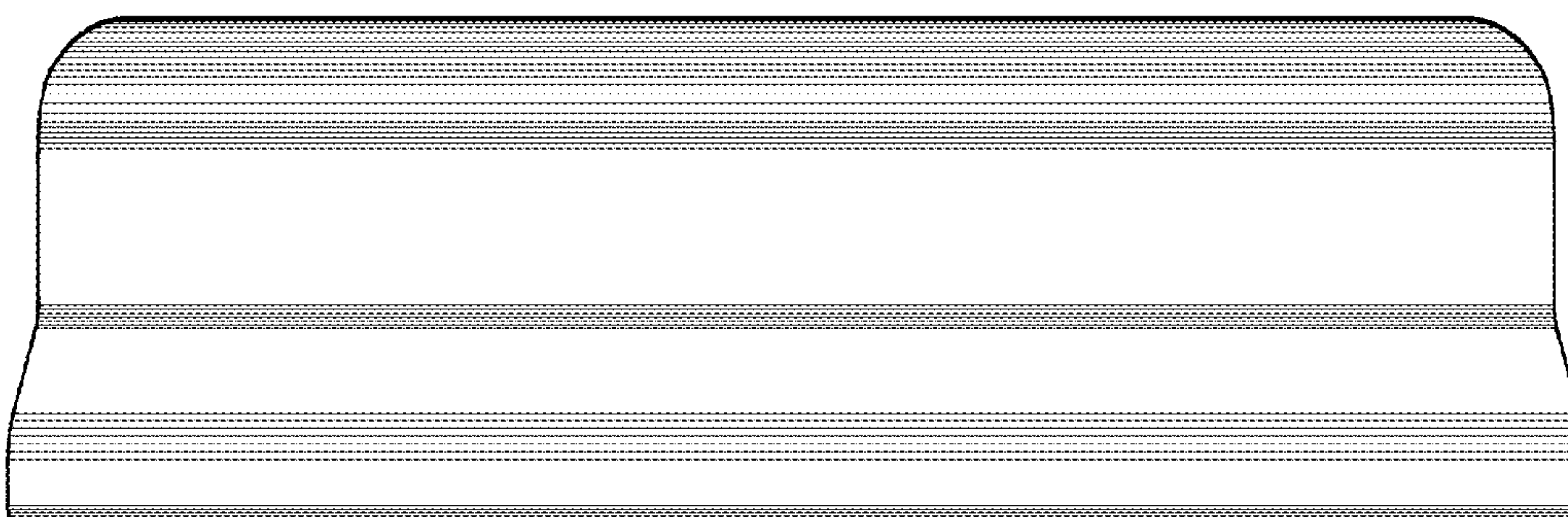


FIG. 6