



US00D758098S

(12) **United States Design Patent**
Pham

(10) **Patent No.:** **US D758,098 S**

(45) **Date of Patent:** **** Jun. 7, 2016**

(54) **LUMBAR PILLOW**

(71) Applicant: **Loan Kim Thi Pham, HCMC (VN)**

(72) Inventor: **Loan Kim Thi Pham, HCMC (VN)**

(**) Term: **14 Years**

(21) Appl. No.: **29/504,749**

(22) Filed: **Oct. 9, 2014**

(51) **LOC (10) Cl.** **06-09**

(52) **U.S. Cl.**
USPC **D6/601**

(58) **Field of Classification Search**
USPC D6/595-601, 604-606; D21/686, 791,
D21/803, 804; D24/183, 184; D30/118,
D30/119; D25/119-121, 123, 125
CPC A47C 7/383; A47C 7/46; A47C 20/00;
A47C 20/21; A47C 20/25; A47D 13/00;
A47D 13/08; A47G 9/00; A47G 9/10; A47G
9/1027; A47G 9/1036; A47G 9/1081; A47G
2009/1018; A61F 5/01; A62B 9/06
See application file for complete search history.

(56) **References Cited**

U.S. PATENT DOCUMENTS

4,889,109 A * 12/1989 Gifford A47C 20/021
5/922
D340,380 S * 10/1993 McDonald D6/601

D427,474 S * 7/2000 Rivard D6/601
D447,252 S * 8/2001 Gardner D25/119
D532,209 S * 11/2006 Rodis D6/335
D662,329 S * 6/2012 Arko D6/332
8,955,909 B2 * 2/2015 Hisada B60N 2/643
297/232
2015/0283014 A1 * 10/2015 Sithian A61G 7/057
5/644

* cited by examiner

Primary Examiner — Mary Ann Calabrese

(74) *Attorney, Agent, or Firm* — BN IP-Consulting LLC;
Binh-An Nguyen

(57) **CLAIM**

The ornamental design for a lumbar pillow, as shown and described.

DESCRIPTION

FIG. 1 is a perspective left-front view of a lumbar pillow according to the invention.

FIG. 2 is a front perspective view thereof.

FIG. 3 is an enlarged left side perspective view thereof.

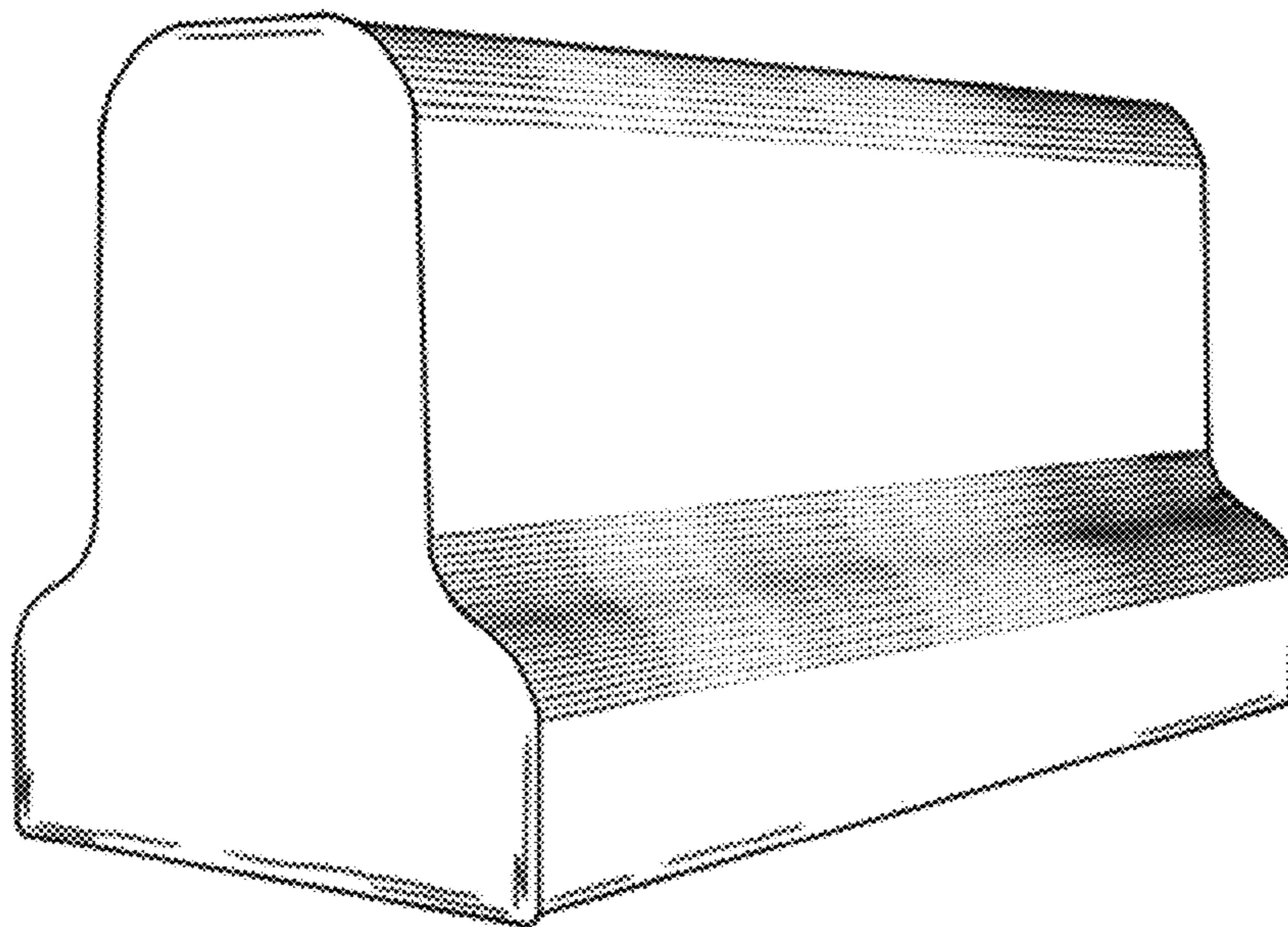
FIG. 4 is a bottom perspective view thereof.

FIG. 5 is a top perspective view thereof; and,

FIG. 6 is a back perspective view thereof.

The left and right side views are symmetric.

1 Claim, 3 Drawing Sheets



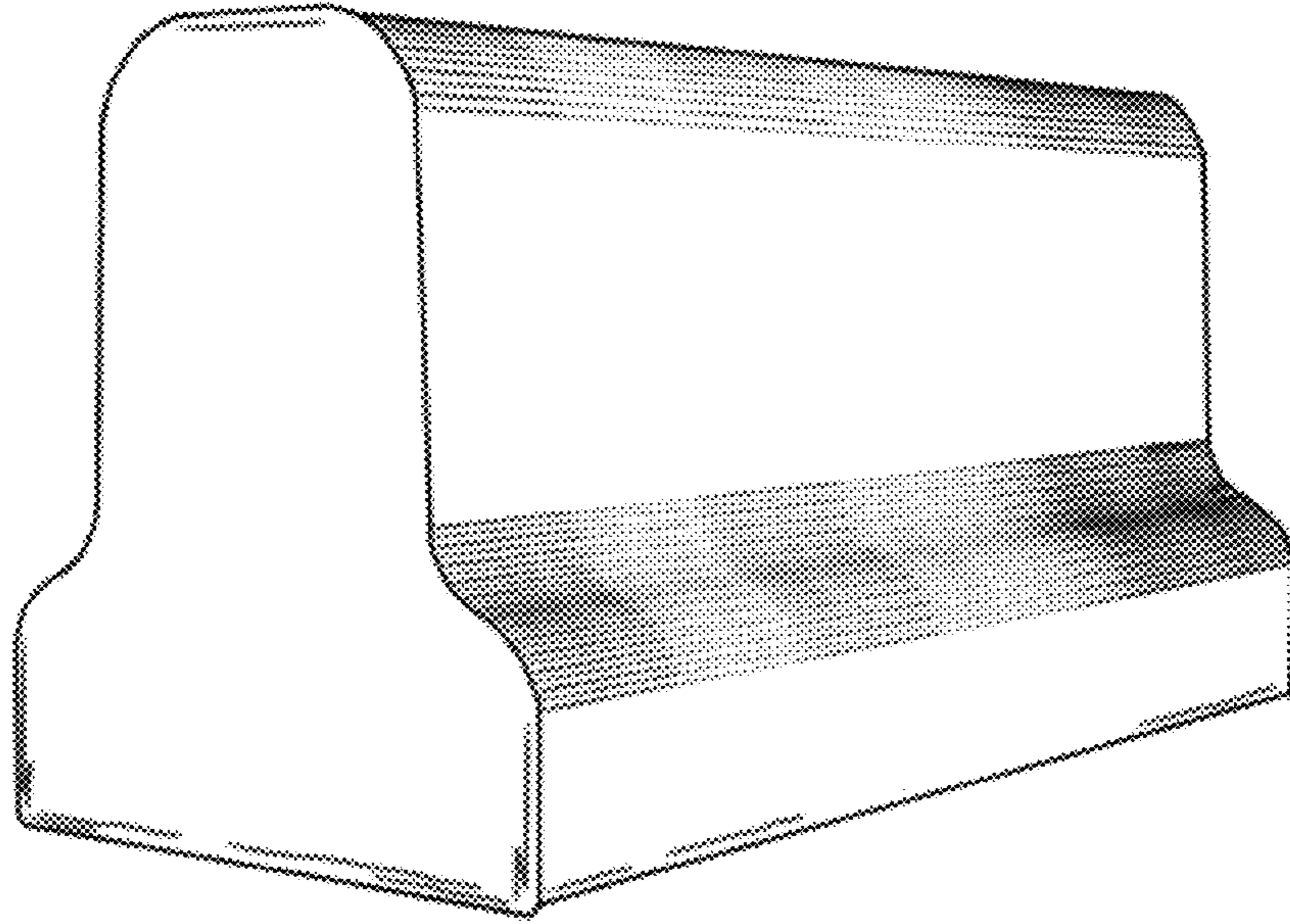


FIG. 1

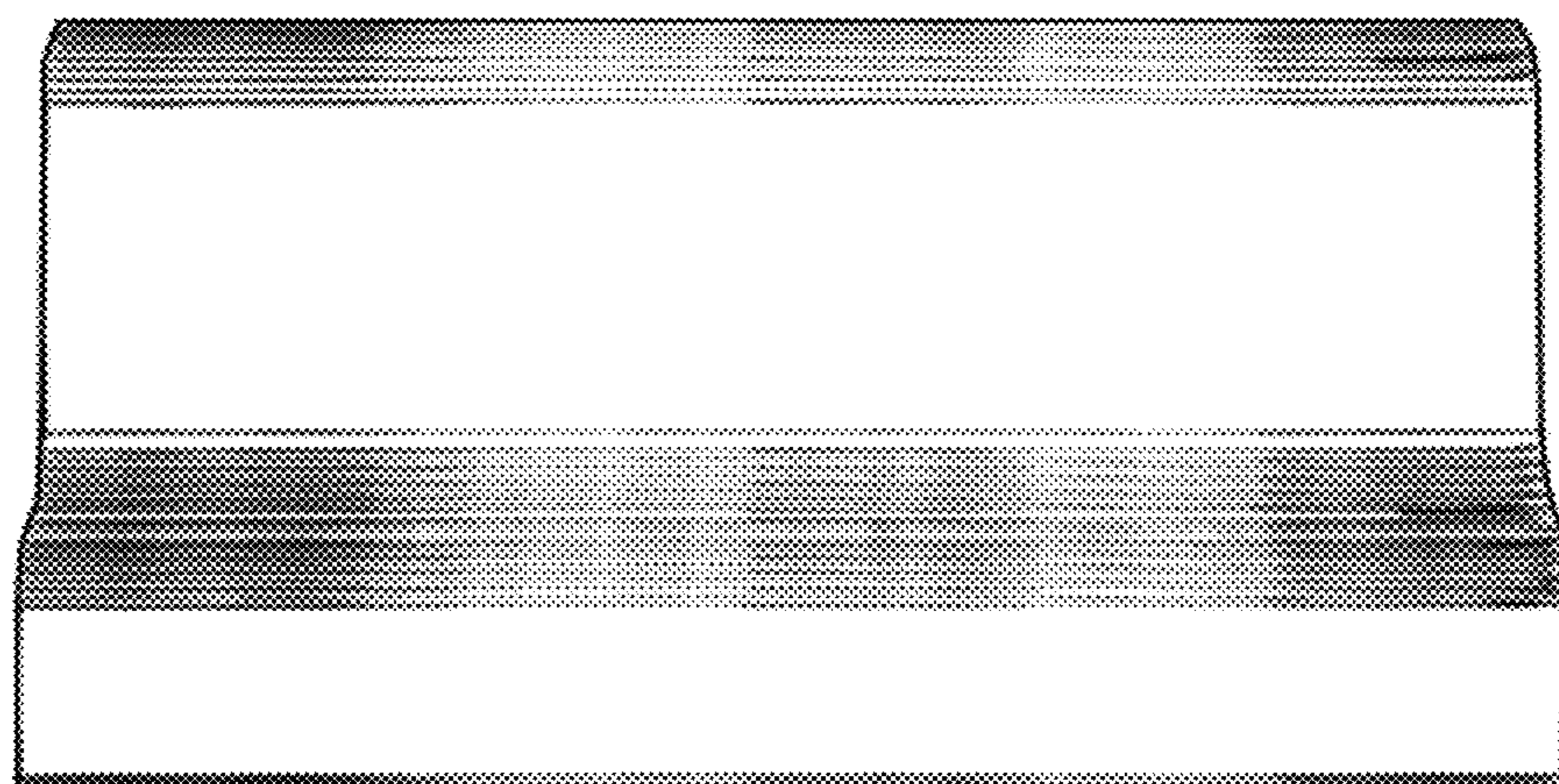


FIG. 2

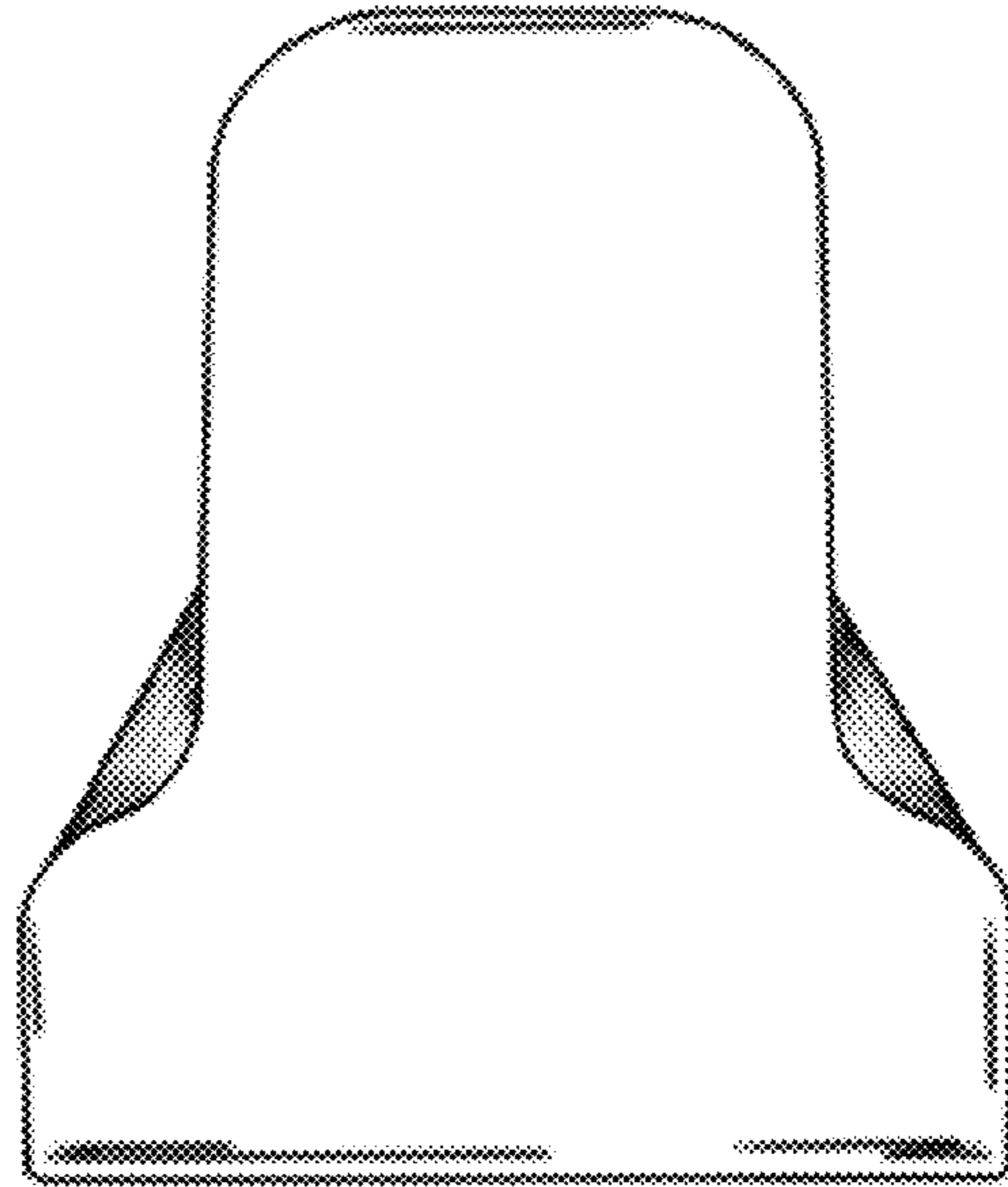


FIG. 3



FIG. 4

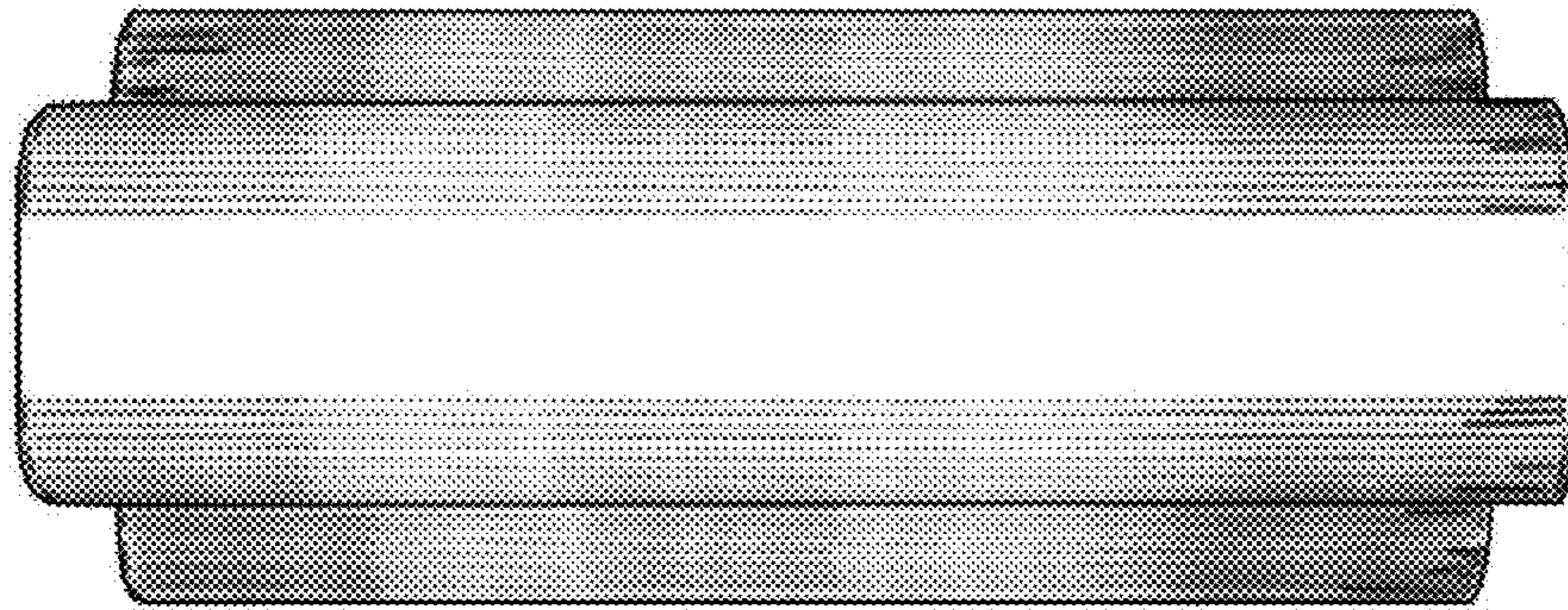


FIG. 5

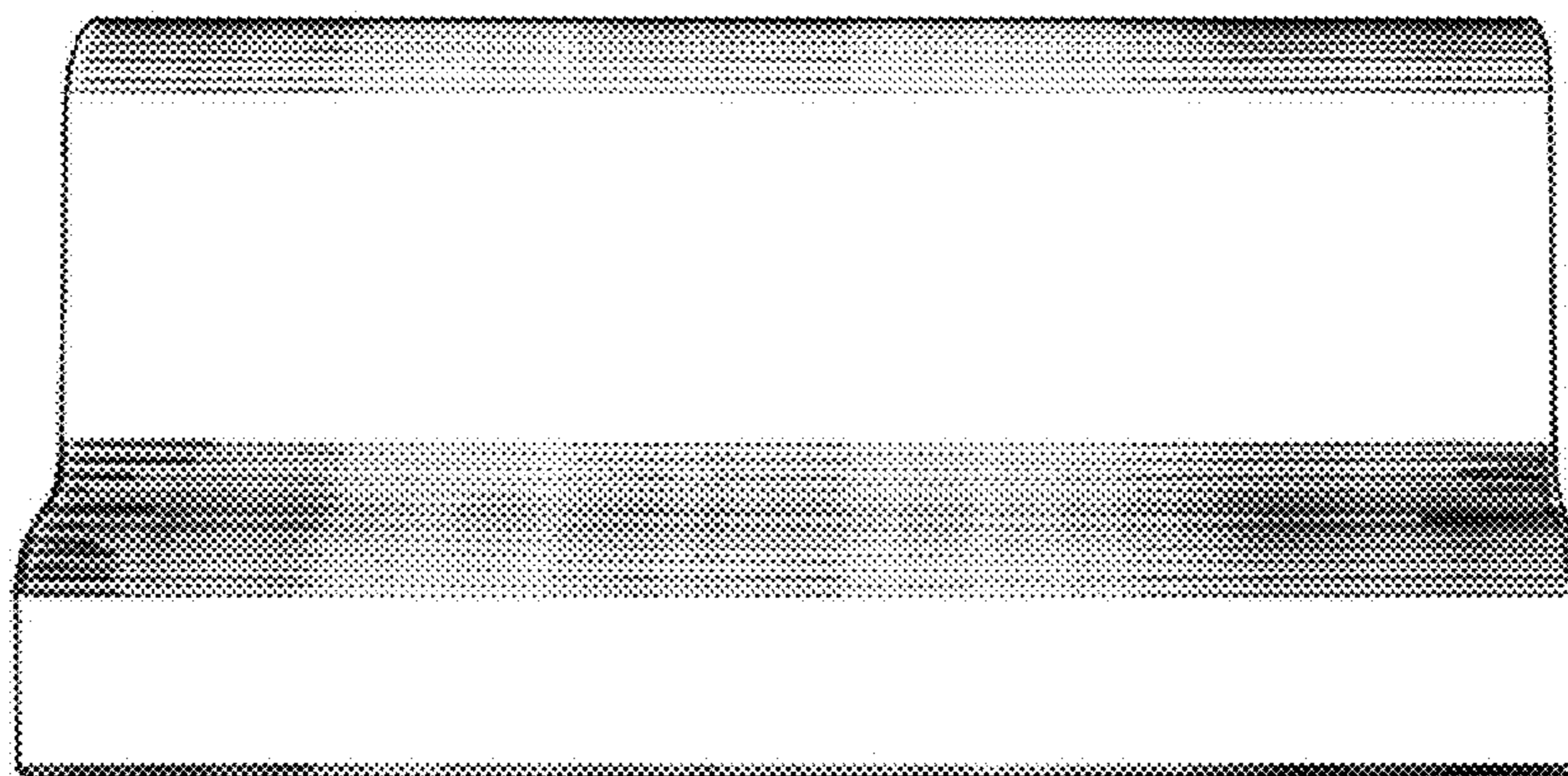


FIG. 6