



US00D758097S

(12) **United States Design Patent**
Calkins

(10) **Patent No.:** **US D758,097 S**
(45) **Date of Patent:** **** *Jun. 7, 2016**

- (54) **OPAQUE MAT WITH DIAMOND PATTERN**
- (71) Applicant: **Kittrich Corporation**, La Mirada, CA (US)
- (72) Inventor: **Mark A. Calkins**, La Mirada, CA (US)
- (73) Assignee: **KITTRICH CORPORATION**, Pomona, CA (US)
- (*) Notice: This patent is subject to a terminal disclaimer.
- (**) Term: **14 Years**
- (21) Appl. No.: **29/475,372**
- (22) Filed: **Dec. 3, 2013**

Related U.S. Application Data

- (62) Division of application No. 29/414,770, filed on Mar. 2, 2012, now Pat. No. Des. 694,550.
- (51) **LOC (10) Cl.** **06-11**
- (52) **U.S. Cl.**
USPC **D6/582**
- (58) **Field of Classification Search**
USPC D5/15, 25, 43, 46, 58, 60, 61; D6/581, D6/582, 583, 592, 594, 613, 615, 616, 618, D6/622; D12/203; 4/581, 582; 5/417, 420; 15/215, 238; 428/46; 482/23, 91, 140, 482/141, 142, 148; 296/97.23
CPC A47G 27/0212; A47G 27/0218; A47G 27/0237; A47G 27/0243; A47G 27/0306; A63B 6/00; A63B 21/1473; A63B 2071/0694; A47L 23/00

See application file for complete search history.

(56) **References Cited**

U.S. PATENT DOCUMENTS

1,160,384 A	11/1915	Crane	
1,241,886 A	10/1917	Rowe	
1,579,016 A	3/1926	Marks	
2,205,802 A	6/1940	Scheidemantel et al.	
3,100,312 A	8/1963	Williams	
3,143,208 A	8/1964	Sizemore	
3,148,482 A	9/1964	Neale	
3,706,636 A	12/1972	Bride	
3,909,996 A	10/1975	Ettlinger et al.	
4,070,515 A	1/1978	Smarook	
D270,801 S	10/1983	Curatolo	
D274,998 S	8/1984	Johansson	
D313,319 S	1/1991	Legare	
5,018,232 A *	5/1991	Sachetti	5/482
5,021,277 A *	6/1991	Fan	428/76
5,160,785 A	11/1992	Davidson, Jr.	
5,198,275 A	3/1993	Klein	
D390,288 S *	2/1998	Fingleson et al.	D21/686
6,007,886 A	12/1999	Takigami	
6,101,776 A	8/2000	Conley	

(Continued)

Primary Examiner — Eric Goodman
Assistant Examiner — Amy Wierenga
(74) *Attorney, Agent, or Firm* — Leason Ellis LLP

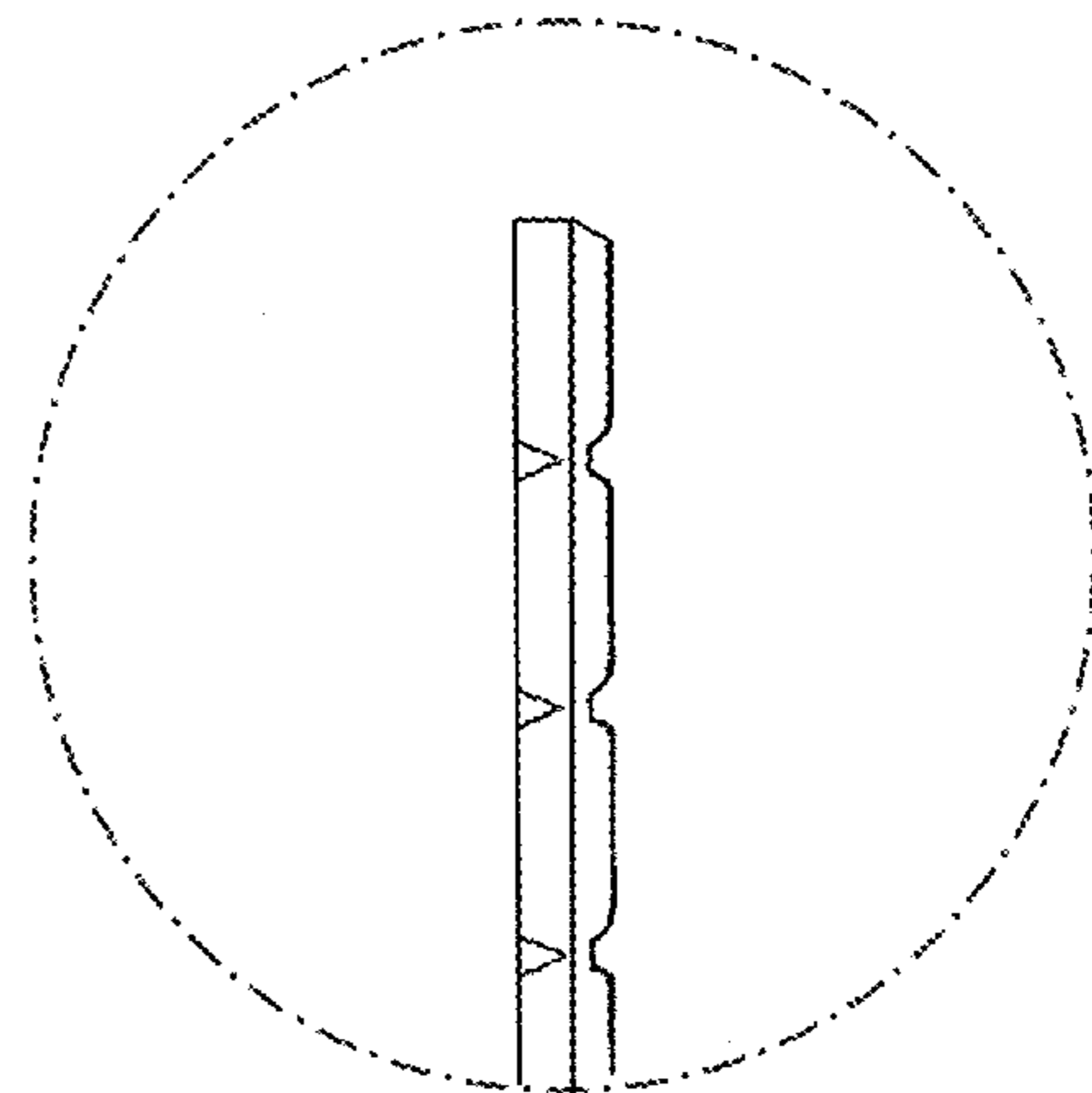
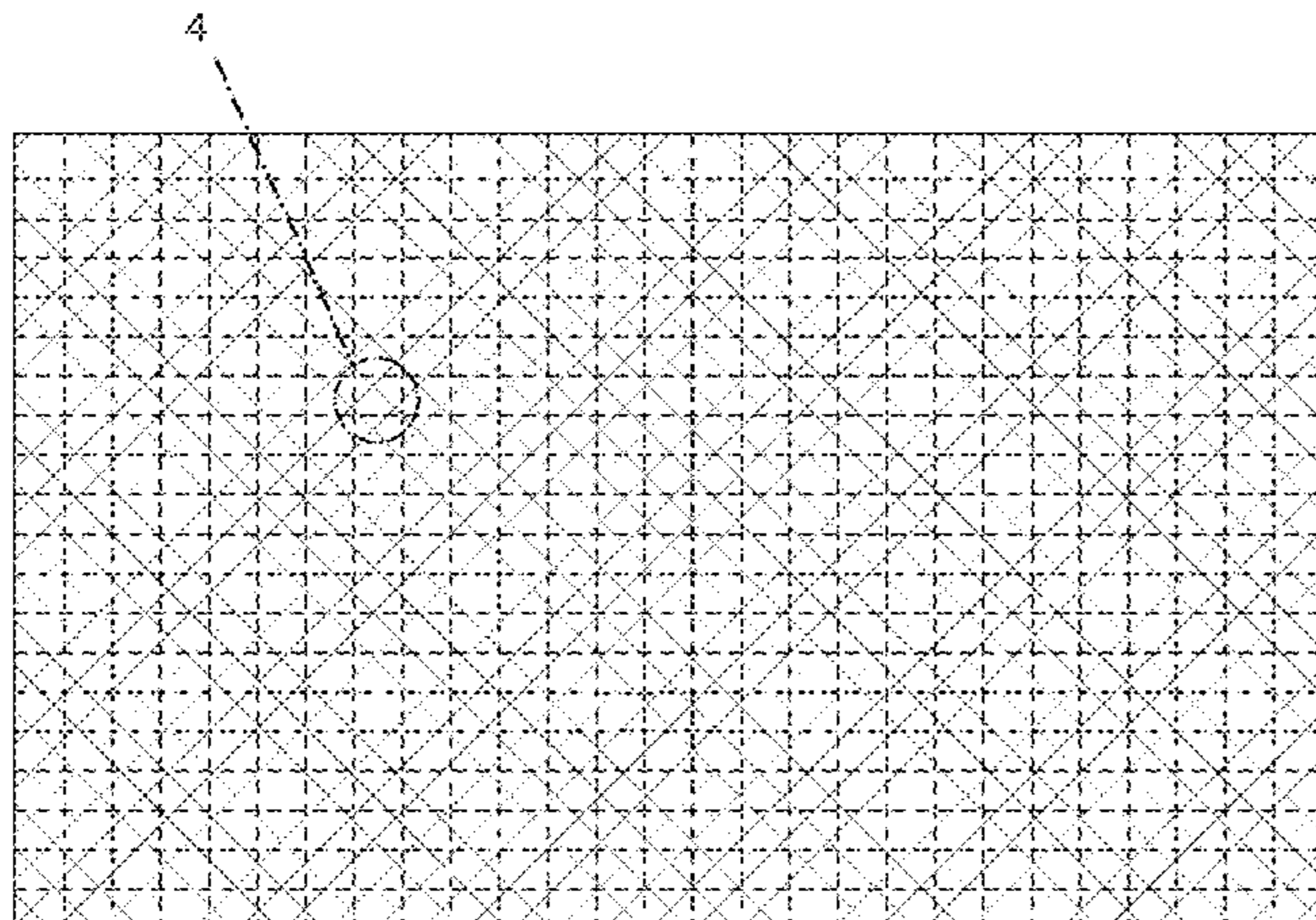
(57) **CLAIM**

The ornamental design for an opaque mat with diamond pattern, as shown and described.

DESCRIPTION

FIG. 1 is a top plan view of the opaque mat with diamond pattern;
FIG. 2 is a side profile view thereof; the left side of the figure being representative of the top plan view of FIG. 1;
FIG. 3 is an enlarged detail view of area 3 circumscribed within or on FIG. 2; and,
FIG. 4 is an enlarged detail view of area 4 circumscribed within or on FIG. 1.
The portions of the opaque mat with diamond pattern shown in broken lines form no part of the claimed design.

1 Claim, 1 Drawing Sheet



(56)

References Cited

U.S. PATENT DOCUMENTS

6,238,762	B1	5/2001	Friedland et al.				
D450,934	S *	11/2001	Duritsch et al.	D5/58			
6,387,470	B1 *	5/2002	Chang et al.	428/121			
D478,410	S	8/2003	White				
6,677,027	B1 *	1/2004	Lu	428/138			
7,299,592	B2 *	11/2007	Moller, Jr.	52/180			
D603,640	S	11/2009	Thrush				
D604,082	S	11/2009	Thrush				
D604,083	S	11/2009	Thrush				
D625,017	S *	10/2010	Iwahashi et al.	D24/189			
D663,989	S *	7/2012	Steffey	D6/602			
D671,784	S *	12/2012	Gallie, II	D6/582			
8,407,951	B2 *	4/2013	Haney et al.	52/177			
D694,550	S *	12/2013	Calkins	D6/582			
D694,551	S *	12/2013	Calkins	D6/582			
2004/0250346	A1 *	12/2004	Vasishth	5/417			
2005/0192158	A1 *	9/2005	Edwards	482/23			
2006/0029773	A1	2/2006	Waterman et al.				
2006/0070314	A1 *	4/2006	Jenkins et al.	52/177			
2010/0143640	A1	6/2010	Wilmsen				
2011/0183102	A1 *	7/2011	Afolabi	428/83			
2014/0342126	A1 *	11/2014	Oh	428/160			

* cited by examiner

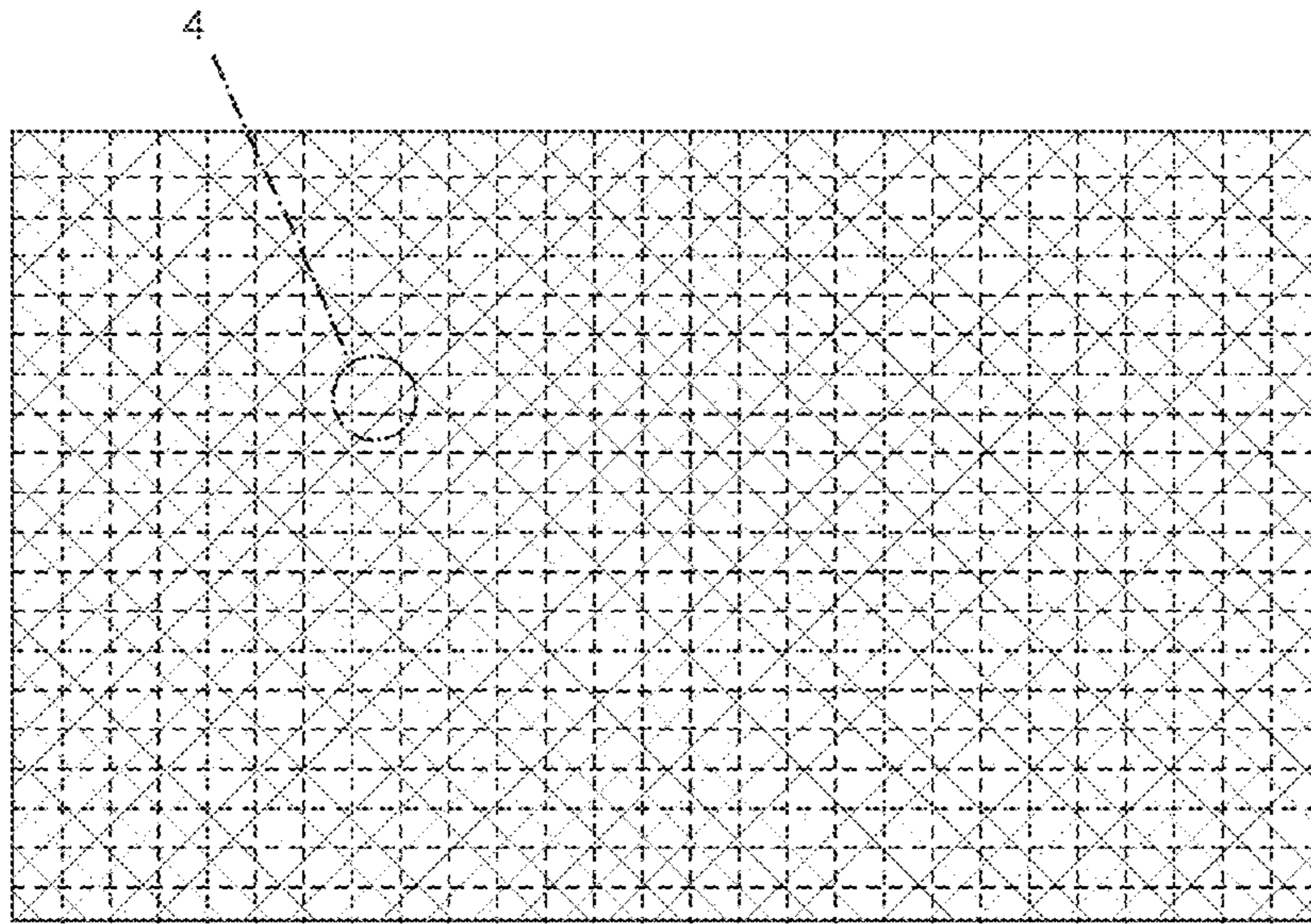


FIG. 1

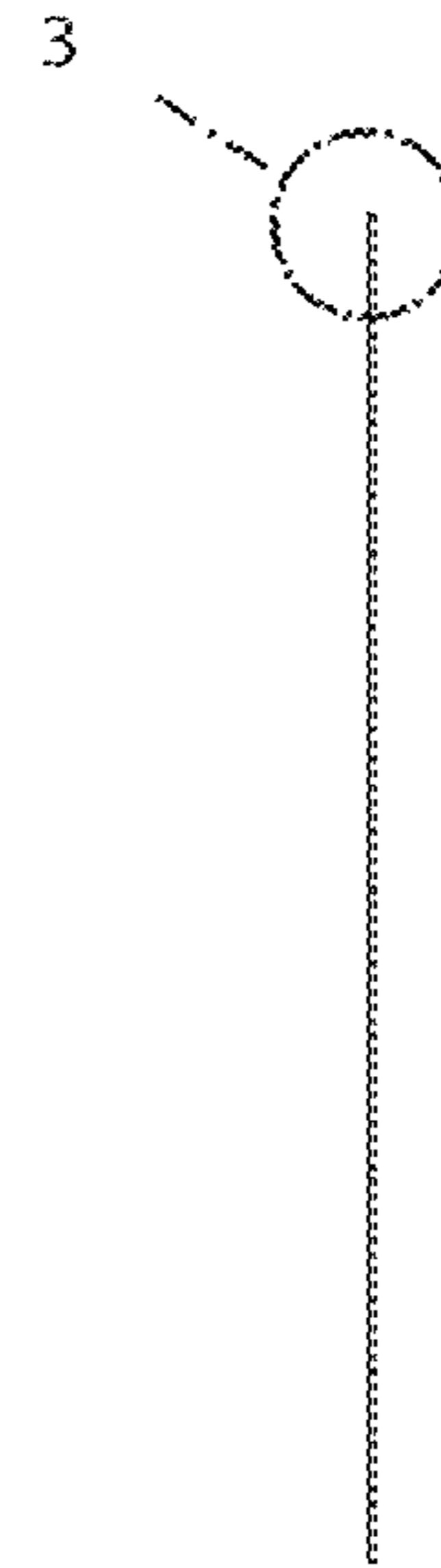


FIG. 2

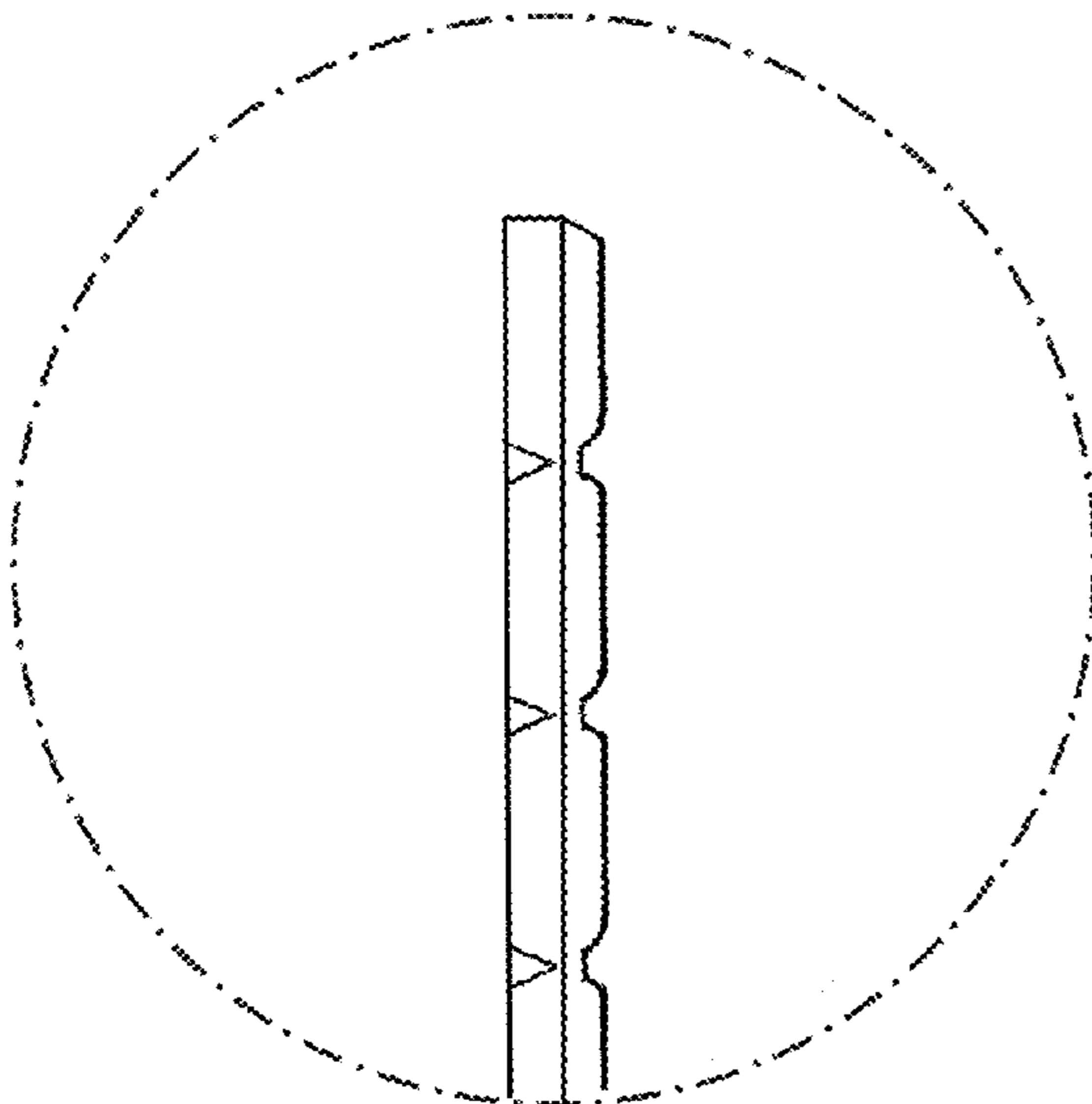


FIG. 3

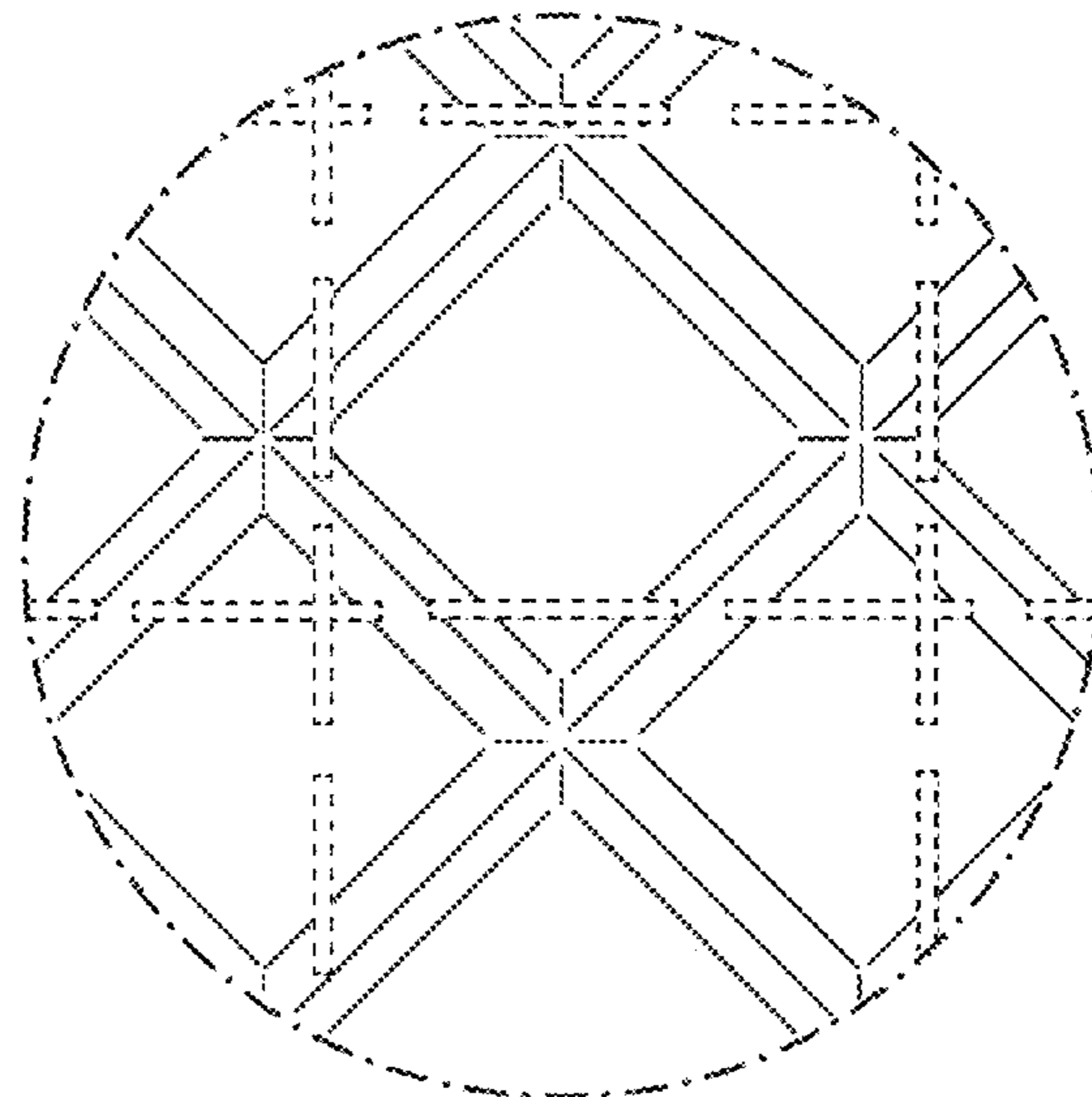


FIG. 4