



US00D758096S

(12) **United States Design Patent**
Calkins

(10) **Patent No.:** **US D758,096 S**
(45) **Date of Patent:** **** *Jun. 7, 2016**

- (54) **OPAQUE MAT WITH RIBBED PATTERN**
- (71) Applicant: **Kittrich Corporation**, La Mirada, CA (US)
- (72) Inventor: **Mark A Calkins**, La Mirada, CA (US)
- (73) Assignee: **KITTRICH CORPORATION**, Pomona, CA (US)
- (*) Notice: This patent is subject to a terminal disclaimer.
- (**) Term: **14 Years**
- (21) Appl. No.: **29/471,145**
- (22) Filed: **Oct. 29, 2013**

1,579,016 A	3/1926	Marks	
1,896,325 A	2/1933	Noonan	
2,512,310 A	6/1950	Corson	
D171,301 S	1/1954	Kravitz	
2,908,027 A	10/1959	McClung	
D187,639 S	4/1960	Timmons	
3,083,128 A	3/1963	Herrington et al.	
3,143,208 A	8/1964	Sizemore	
3,148,482 A	9/1964	Neale	
D207,487 S	4/1967	Briggs et al.	
3,706,636 A	12/1972	Bride	
D270,801 S	10/1983	Curatolo	
4,952,434 A	8/1990	Rumsey et al.	
D310,460 S	9/1990	Vergnano	
5,198,275 A	3/1993	Klein	
D370,817 S	6/1996	Reardon	
D378,645 S	4/1997	Reardon	
6,007,886 A	12/1999	Takigami	
6,042,915 A *	3/2000	Kessler	428/45
6,238,762 B1	5/2001	Friedland et al.	
D456,197 S *	4/2002	McClure et al.	D6/596

(Continued)

Related U.S. Application Data

- (62) Division of application No. 29/414,781, filed on Mar. 2, 2012, now Pat. No. Des. 692,256.
- (51) **LOC (10) CL.** **06-11**
- (52) **U.S. CL.**
USPC **D6/582**
- (58) **Field of Classification Search**
USPC D5/15, 25, 43, 46, 58, 60, 61; D6/583, D6/588, 592, 594, 613, 615, 616, 618, D6/622; D12/203; 4/581, 582; 15/215, 15/238; 296/97.23; 428/46; 482/23, 142
CPC A47G 27/0306; A47G 27/0243; A63B 21/1473; A63B 2017/0694; A63B 6/00; A47L 23/266; B60N 3/044
See application file for complete search history.

(56) **References Cited**

U.S. PATENT DOCUMENTS

567,985 A	9/1896	Le Clair
961,929 A	6/1910	Bouchard

Primary Examiner — Eric Goodman
Assistant Examiner — Amy Wierenga
 (74) *Attorney, Agent, or Firm* — Leason Ellis LLP

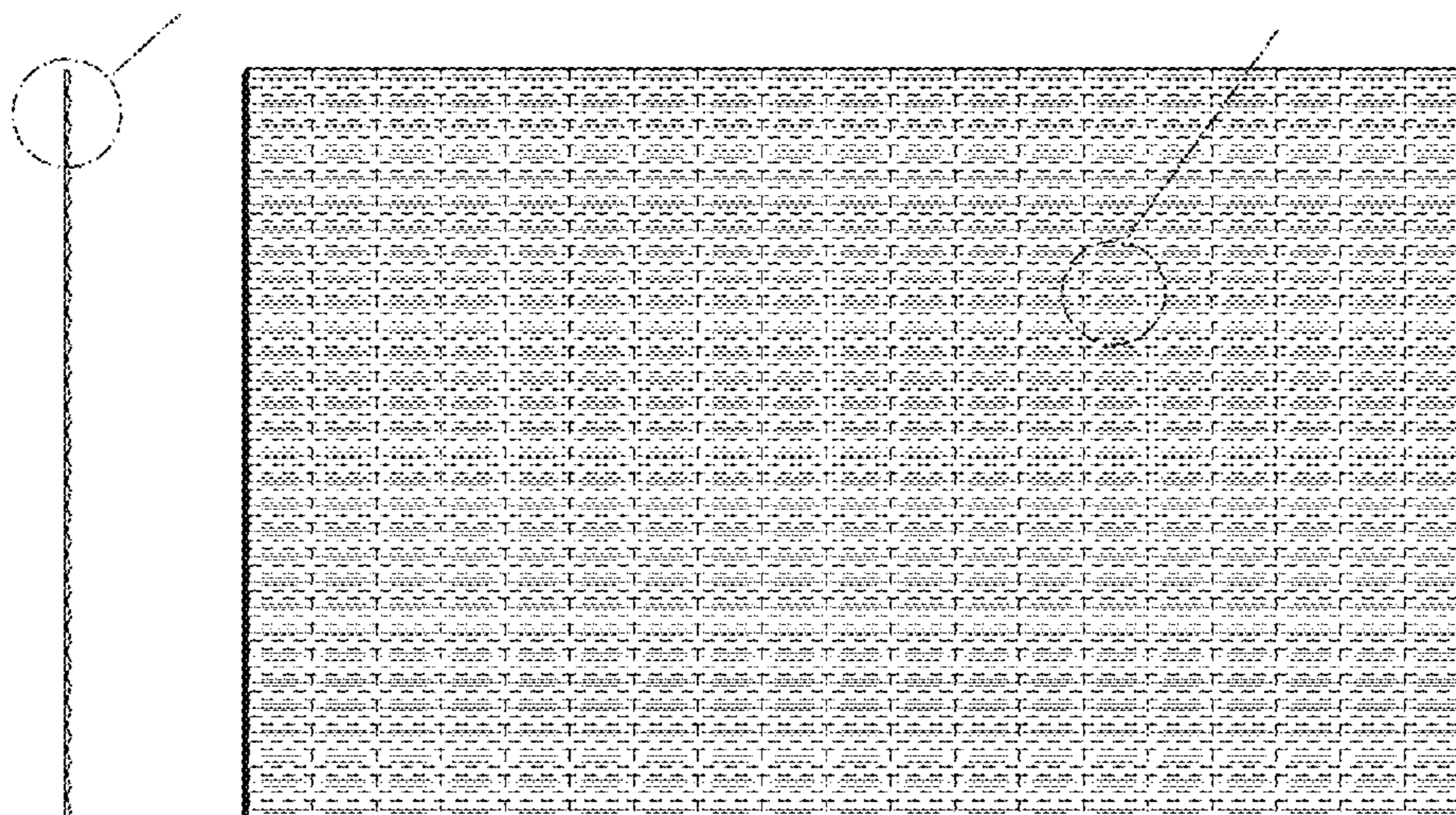
(57) **CLAIM**

The ornamental design for an opaque mat with ribbed pattern, as shown and described.

DESCRIPTION

FIG. 1 is a side view of the opaque mat with ribbed pattern, the right side view of the figure is representative of the top plan view in FIG. 2;
 FIG. 2 is a top plan view thereof;
 FIG. 3 is an enlarged detail view of area 3 circumscribed within or on FIG. 1; and,
 FIG. 4 is an enlarged detail view of area 4 circumscribed within or on FIG. 2.
 The portions of the opaque mat with ribbed pattern shown in broken lines form no part of the claimed design.

1 Claim, 1 Drawing Sheet



(56)

References Cited

U.S. PATENT DOCUMENTS

6,444,284 B1 9/2002 Kessler et al.
 6,505,444 B1 1/2003 Johnson
 6,740,380 B2 * 5/2004 Kessler 428/45
 6,760,937 B1 * 7/2004 Ou 5/652.1
 D521,302 S * 5/2006 Yeh et al. D6/608
 D572,068 S * 7/2008 Lin D6/582
 D601,375 S 10/2009 Venugopal
 D628,003 S 11/2010 Venugopal
 8,021,733 B2 * 9/2011 Carter-Patterson et al. . 428/64.1
 D659,458 S * 5/2012 Lerman D6/585

D692,256 S * 10/2013 Calkins D6/582
 D692,257 S * 10/2013 Calkins D6/582
 8,631,833 B2 * 1/2014 Garbarino 139/426 R
 D702,950 S * 4/2014 Su D5/54
 D721,410 S * 1/2015 Curley D21/662
 2002/0020123 A1 2/2002 Kessler et al.
 2005/0192158 A1 * 9/2005 Edwards 482/23
 2005/0250631 A1 * 11/2005 Su-Tuan 482/148
 2008/0214361 A1 * 9/2008 Oster 482/23
 2009/0093342 A1 * 4/2009 Devore 482/23
 2013/0276230 A1 * 10/2013 Kress 5/419
 2014/0242357 A1 * 8/2014 Morris 428/196

* cited by examiner

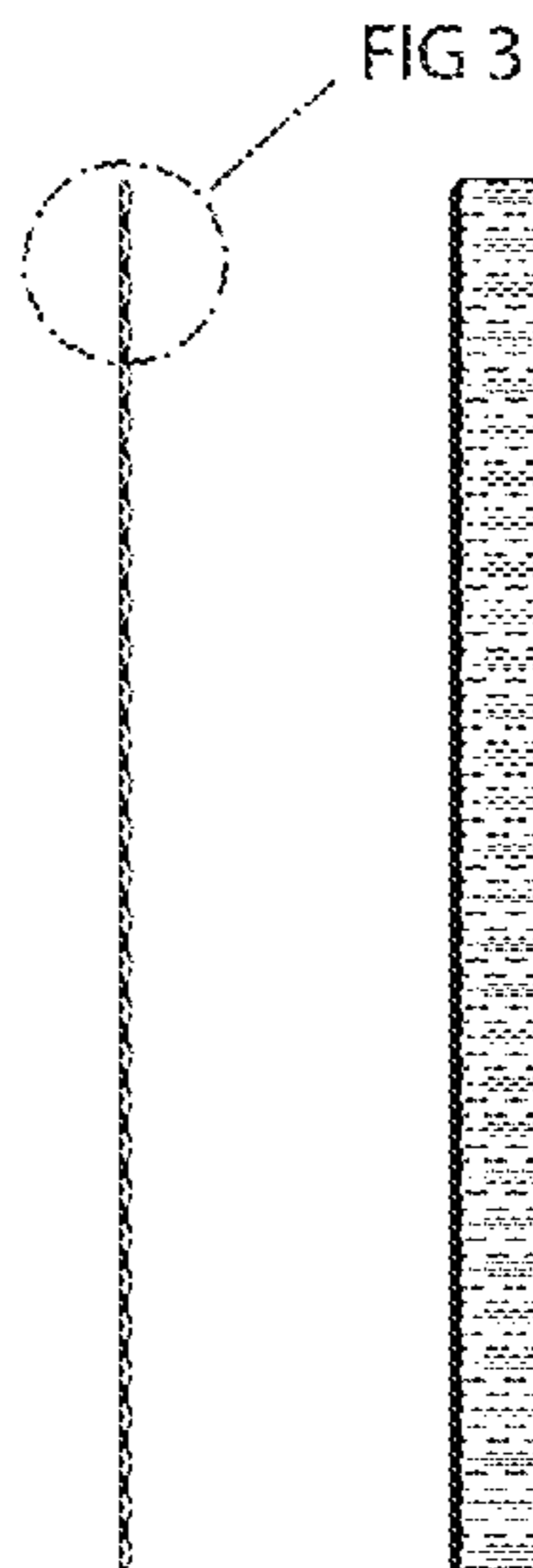


FIG 1.

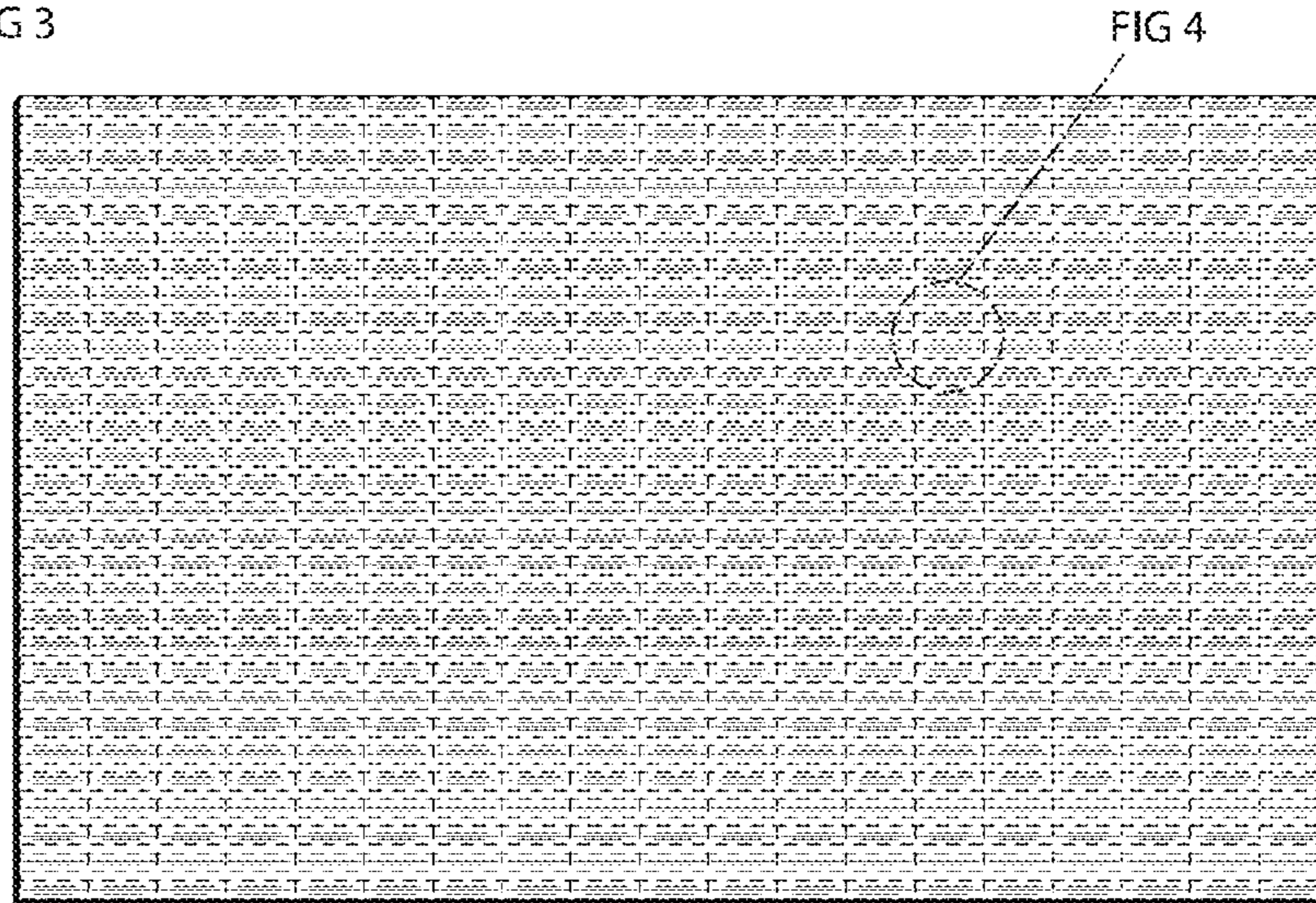


FIG 2.

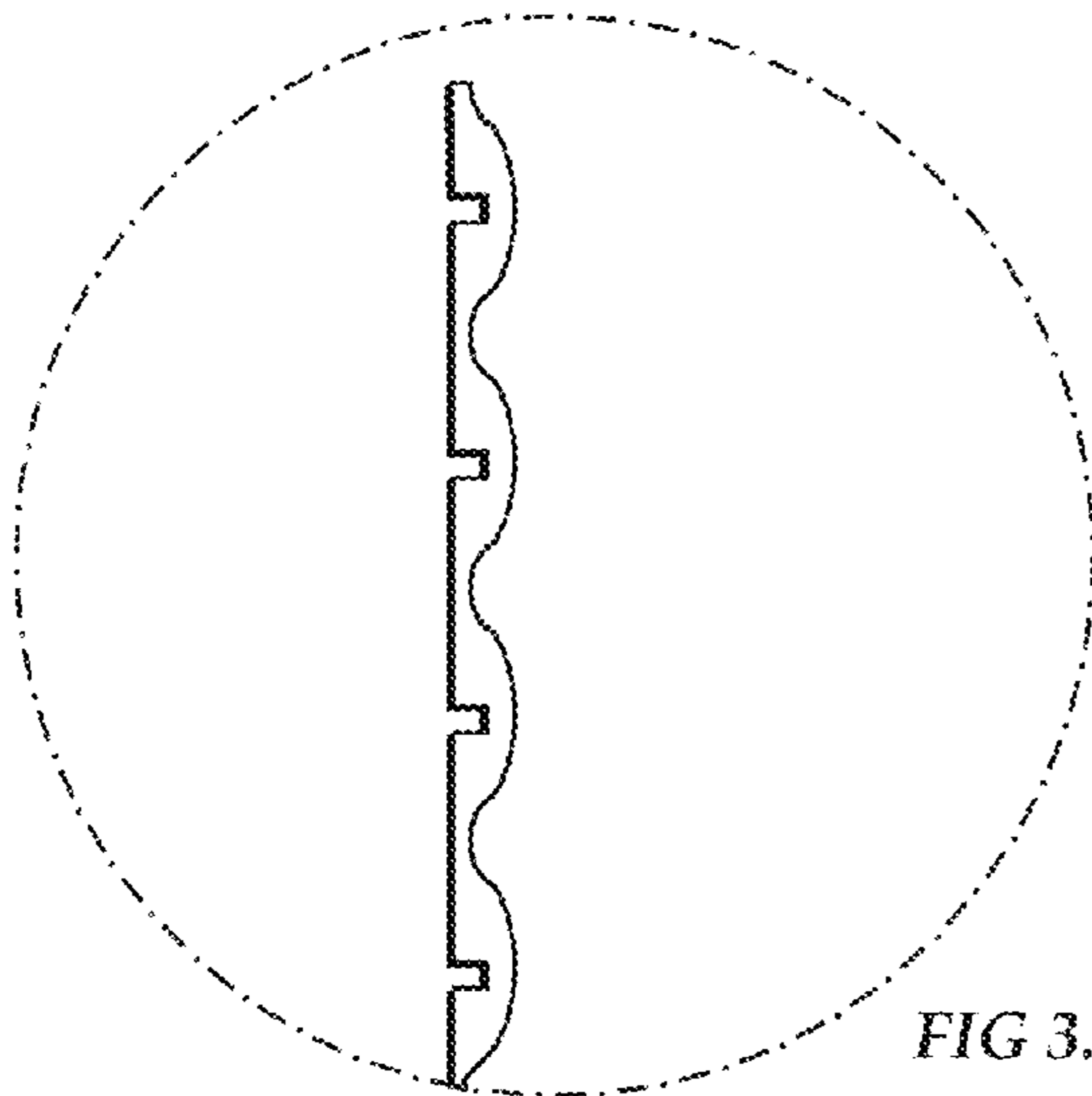


FIG 3.

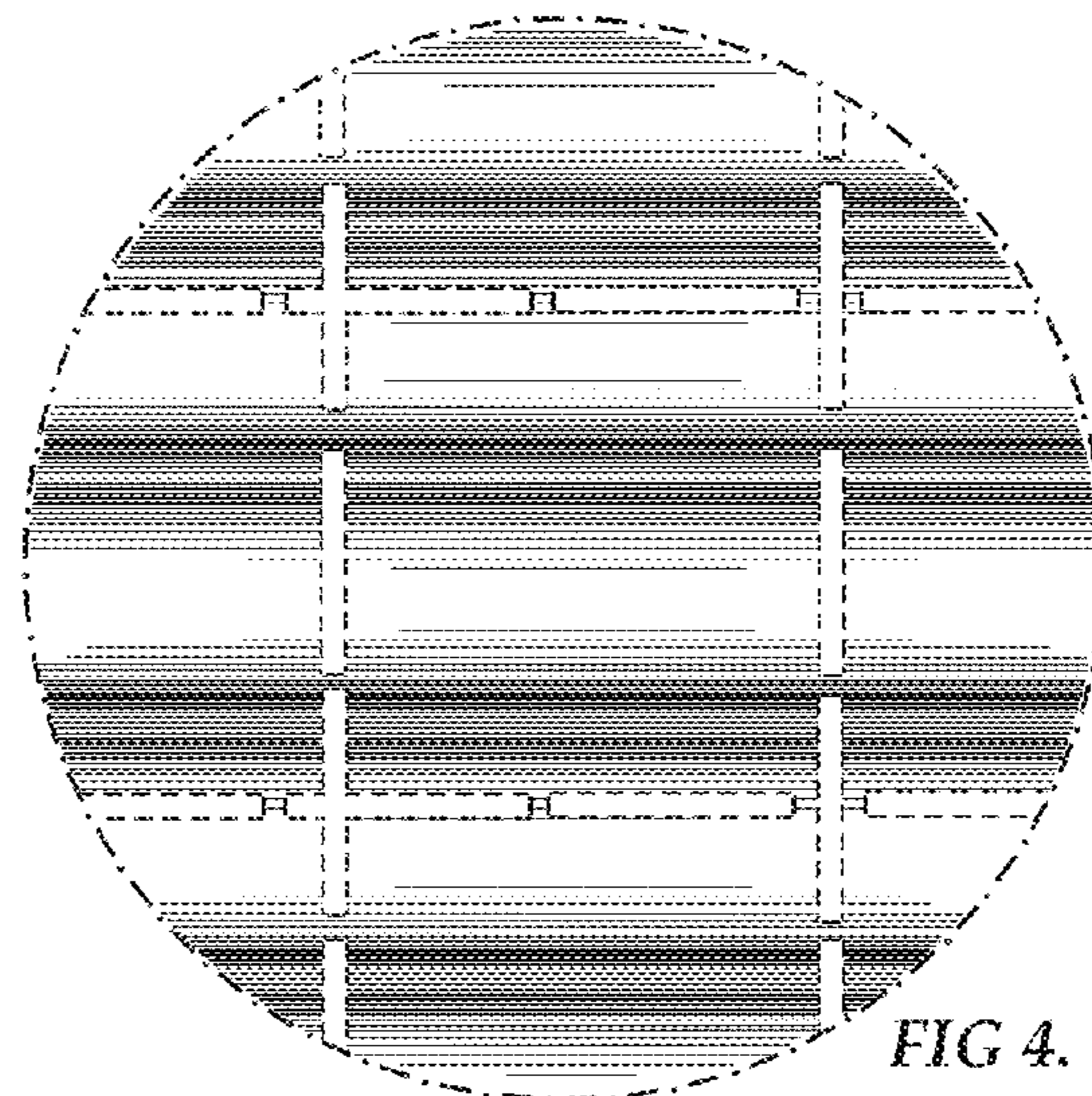


FIG 4.