

US00D758095S

(12) **United States Design Patent**
Jennings et al.

(10) **Patent No.:** **US D758,095 S**
(45) **Date of Patent:** **** Jun. 7, 2016**

- (54) **RIBBED POST FOR A ROLLER SHADE CLUTCH**
- (71) Applicant: **Joseph J. Daniels**, Roslyn Heights, NY (US)
- (72) Inventors: **Maria-Teresa Jennings**, Ridgefield, CT (US); **Stewart Swiss**, Lloyd Harbor, NY (US)
- (73) Assignee: **Joseph J. Daniels**, Roslyn Heights, NY (US)
- (**) Term: **14 Years**
- (21) Appl. No.: **29/499,832**
- (22) Filed: **Aug. 19, 2014**

Related U.S. Application Data

- (63) Continuation-in-part of application No. 14/216,492, filed on Mar. 17, 2014, now Pat. No. 9,206,640, which is a continuation of application No. 13/341,126, filed on Dec. 30, 2011, now Pat. No. 8,672,115.
- (51) **LOC (10) Cl.** **06-10**
- (52) **U.S. Cl.**
USPC **D6/580**
- (58) **Field of Classification Search**
USPC D6/575, 576, 577, 578, 579, 580, 581;
D8/17, 349, 350, 351, 353, 369, 376,
D8/378; 160/84.01, 84.02, 84.03, 84.04,
160/84.05, 84.06, 84.07, 84.08, 106, 107,
160/108, 111, 113, 130, 133, 166.1, 176
CPC E06B 3/30; E06B 3/92; E06B 3/285;
E06B 9/00; E06B 9/02; E06B 9/24; E06B
9/26; E06B 9/262; E06B 2009/2622; A47H
1/00; A47H 1/02; A47H 21/00; A47H 23/00;
A47H 23/02; A47H 23/04; A47H 23/10;
A47H 2001/0205; A47H 2023/025

See application file for complete search history.

(56) **References Cited**

U.S. PATENT DOCUMENTS

556,255 A	3/1896	Darling
651,611 A	6/1900	Reid
1,067,708 A	7/1913	Anderson, Sr. et al.
1,070,042 A	8/1913	Kottkay

(Continued)

FOREIGN PATENT DOCUMENTS

WO	9605400	2/1996
WO	0050290	8/2000

(Continued)

OTHER PUBLICATIONS

International Search Report corresponding to International Application No. PCT/US2010/059679 mailed Apr. 26, 2011.

(Continued)

Primary Examiner — Karen S Acker

Assistant Examiner — Wendy Arminio

(74) *Attorney, Agent, or Firm* — Amster, Rothstein & Ebenstein, LLP

(57) **CLAIM**

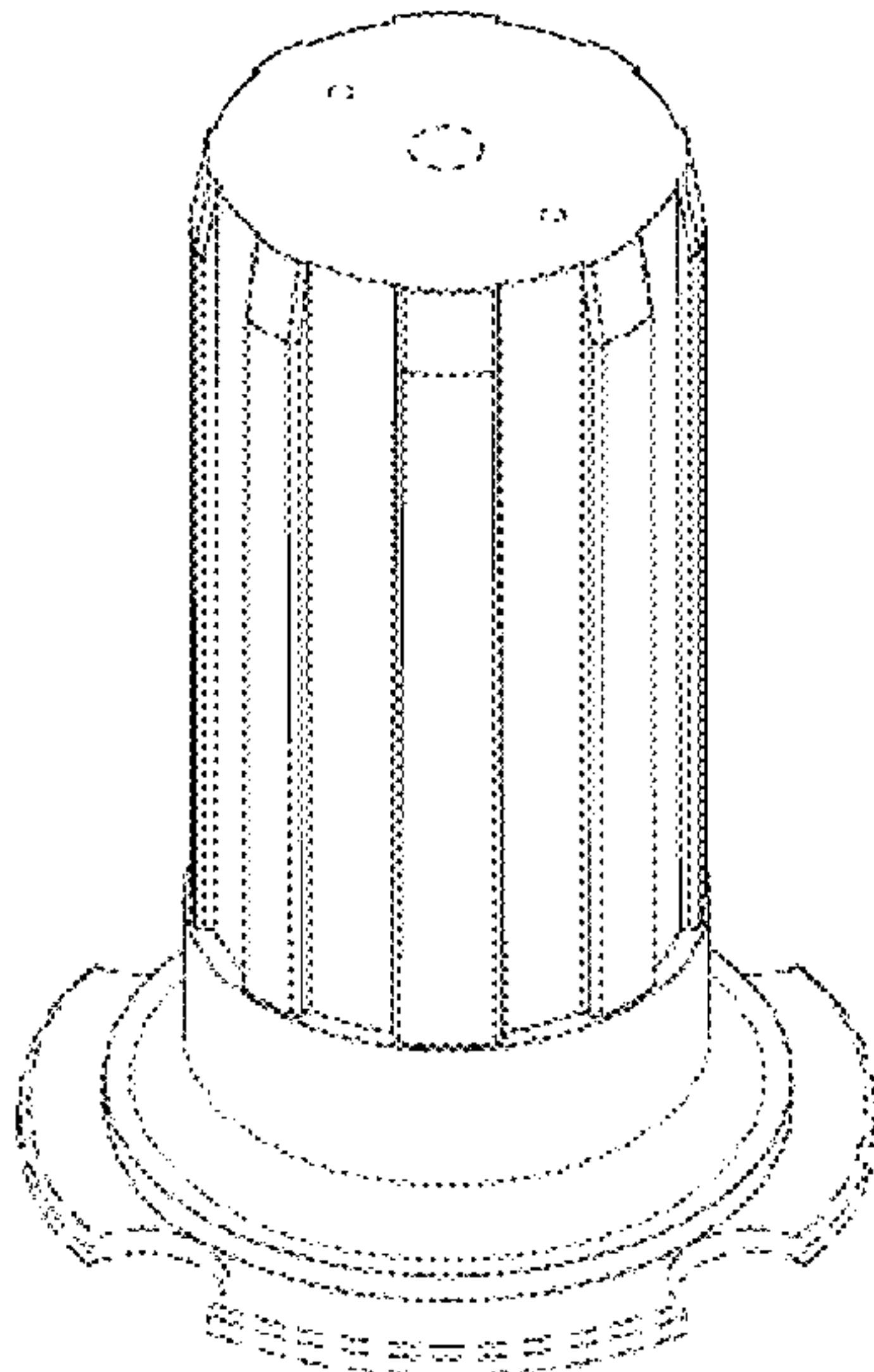
The ornamental design for a ribbed post for a roller shade clutch, as shown and described.

DESCRIPTION

FIG. 1 is a front perspective view of a ribbed post for a roller shade clutch showing our new design; and, FIG. 2 is a rear perspective view of the ribbed post for a roller shade clutch of FIG. 1.

The portion(s) of the ribbed post for a roller shade clutch shown in broken lines are for environmental purposes only and do not form part of the claimed design.

1 Claim, 1 Drawing Sheet



(56)

References Cited

U.S. PATENT DOCUMENTS

1,238,931 A 9/1917 Murray
 1,356,237 A 10/1920 Szeftczyk
 3,186,474 A 6/1965 Levitas
 3,220,523 A 11/1965 Hepner
 3,389,738 A 6/1968 Roth
 3,521,694 A 7/1970 Anderson
 3,580,323 A 5/1971 Gossling et al.
 4,006,770 A 2/1977 Ferguson
 4,223,714 A 9/1980 Weinreich
 4,323,105 A 4/1982 Berman et al.
 4,372,432 A 2/1983 Waine et al.
 4,433,765 A 2/1984 Rude et al.
 RE31,793 E 1/1985 Berman et al.
 4,539,238 A 9/1985 Markowitz
 4,865,109 A 9/1989 Sherman
 5,016,701 A 5/1991 Vore
 5,029,629 A 7/1991 Cheng-Pei
 D319,955 S * 9/1991 Keller D8/17
 5,058,720 A 10/1991 Rude
 5,203,395 A 4/1993 Koller et al.
 5,375,643 A 12/1994 Rude
 D357,380 S * 4/1995 Fraser D6/577
 5,505,418 A 4/1996 Corcoran
 5,507,374 A 4/1996 Rude
 5,564,577 A * 10/1996 Knaggs A47B 61/00
 160/24
 5,566,741 A 10/1996 Ogawara et al.
 5,791,393 A 8/1998 Judkins
 5,881,792 A 3/1999 Cheng
 6,158,563 A 12/2000 Welfonder et al.
 6,164,428 A 12/2000 Berman et al.
 6,173,825 B1 1/2001 Liu
 6,196,508 B1 3/2001 Nijs
 6,457,688 B1 10/2002 Welfonder
 6,540,044 B1 4/2003 Bohringer et al.
 6,685,592 B2 2/2004 Fraczek et al.
 6,935,401 B2 8/2005 Fraczek et al.
 D518,326 S * 4/2006 Allsopp D6/580
 7,051,782 B2 5/2006 Nichols, Jr. et al.
 7,100,668 B2 9/2006 Allsop
 7,240,716 B2 7/2007 Nichols, Jr. et al.
 D553,965 S * 10/2007 Ellbogen D8/378
 D557,117 S 12/2007 Cannaverde
 7,380,582 B1 6/2008 Anderson et al.
 7,387,150 B2 6/2008 Liu
 7,677,293 B2 3/2010 Allsopp
 7,836,937 B2 11/2010 Anderson et al.
 D636,205 S * 4/2011 Chou D6/580
 D675,050 S * 1/2013 Garcia D6/581
 D694,040 S * 11/2013 Di Stefano D6/580
 8,672,115 B1 3/2014 Jennings
 D710,128 S * 8/2014 Garcia D6/581

8,893,766 B2 * 11/2014 Bohlen E06B 9/88
 160/297
 2003/0085003 A1 5/2003 Cheng
 2003/0178276 A1 9/2003 Fraczek et al.
 2004/0003904 A1 1/2004 Fraczek et al.
 2005/0011618 A1 1/2005 Kee
 2005/0039866 A1 2/2005 Allsopp
 2005/0087313 A1 4/2005 Nichols, Jr. et al.
 2006/0118248 A1 * 6/2006 Anderson E06B 9/262
 160/84.04
 2006/0137833 A1 6/2006 Nichols, Jr. et al.
 2006/0272782 A1 12/2006 Nichols, Jr. et al.
 2007/0007100 A1 1/2007 Allsopp
 2007/0056699 A1 3/2007 Liu
 2008/0121353 A1 5/2008 Detmer et al.
 2008/0202709 A1 8/2008 Anderson et al.
 2010/0101740 A1 * 4/2010 Licciardi Di Stefano E06B 9/44
 160/309
 2010/0219306 A1 9/2010 Detmer et al.
 2011/0031343 A1 2/2011 Anderson et al.
 2011/0139381 A1 6/2011 Daniels
 2011/0139382 A1 6/2011 Daniels
 2014/0216666 A1 * 8/2014 Smith E06B 9/38
 160/84.04

FOREIGN PATENT DOCUMENTS

WO 03080978 A2 10/2003
 WO 03080981 A2 10/2003
 WO 2005016083 A1 2/2005
 WO 2005040542 A2 5/2005
 WO 2011072120 6/2011

OTHER PUBLICATIONS

Written Opinion corresponding to International Application No. PCT/US2010/059679 mailed Apr. 26, 2011.
 International Search Report corresponding to International Application No. PCT/US2011/037919 mailed Sep. 15, 2011.
 Written Opinion corresponding to International Application No. PCT/US2011/037919 mailed Sep. 15, 2011.
 U.S. Appl. No. 61/331,082, filed May 4, 2010, expired.
 RollEase, R16 Clutch (or SL20 Clutch), Product Catalog, Available for Sale on Jul. 9, 2014 <http://www.rollease.com/catalog/r-series/item/r16-clutch>.
 RollEase, R16 Clutch (or SL20 Clutch), Product Catalog, Available for Sale on Jul. 9, 2014 <http://www.rollease.com/catalog/skyline/item/sl20-clutch>.
 U.S. Appl. No. 14/216,492, filed Mar. 17, 2014.
 United States Trademark Registration No. 3,356,395, registered Dec. 18, 2007.
 United States Trademark Registration No. 2,965,513, registered Jul. 12, 2005.

* cited by examiner

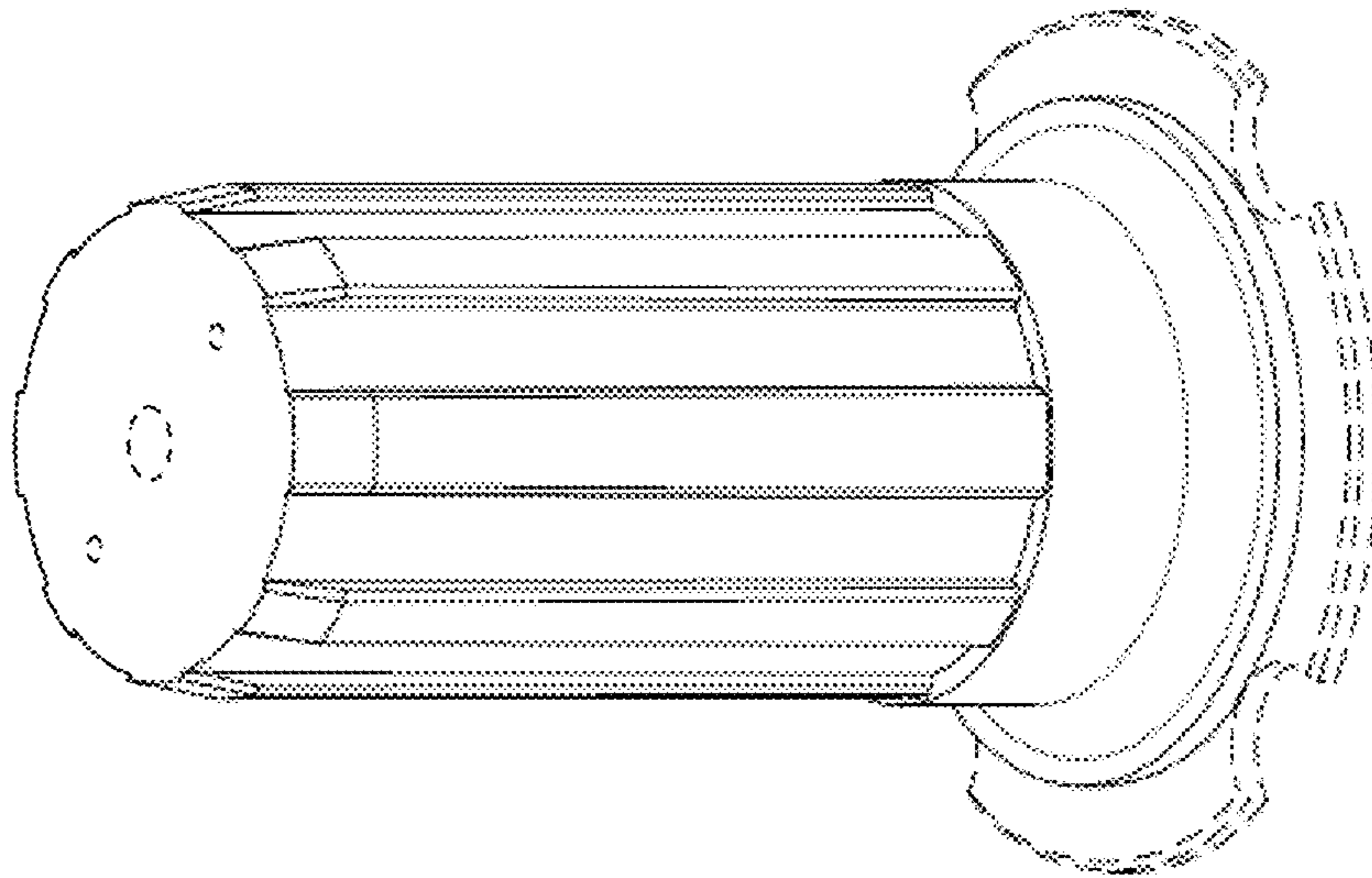


FIG. 1

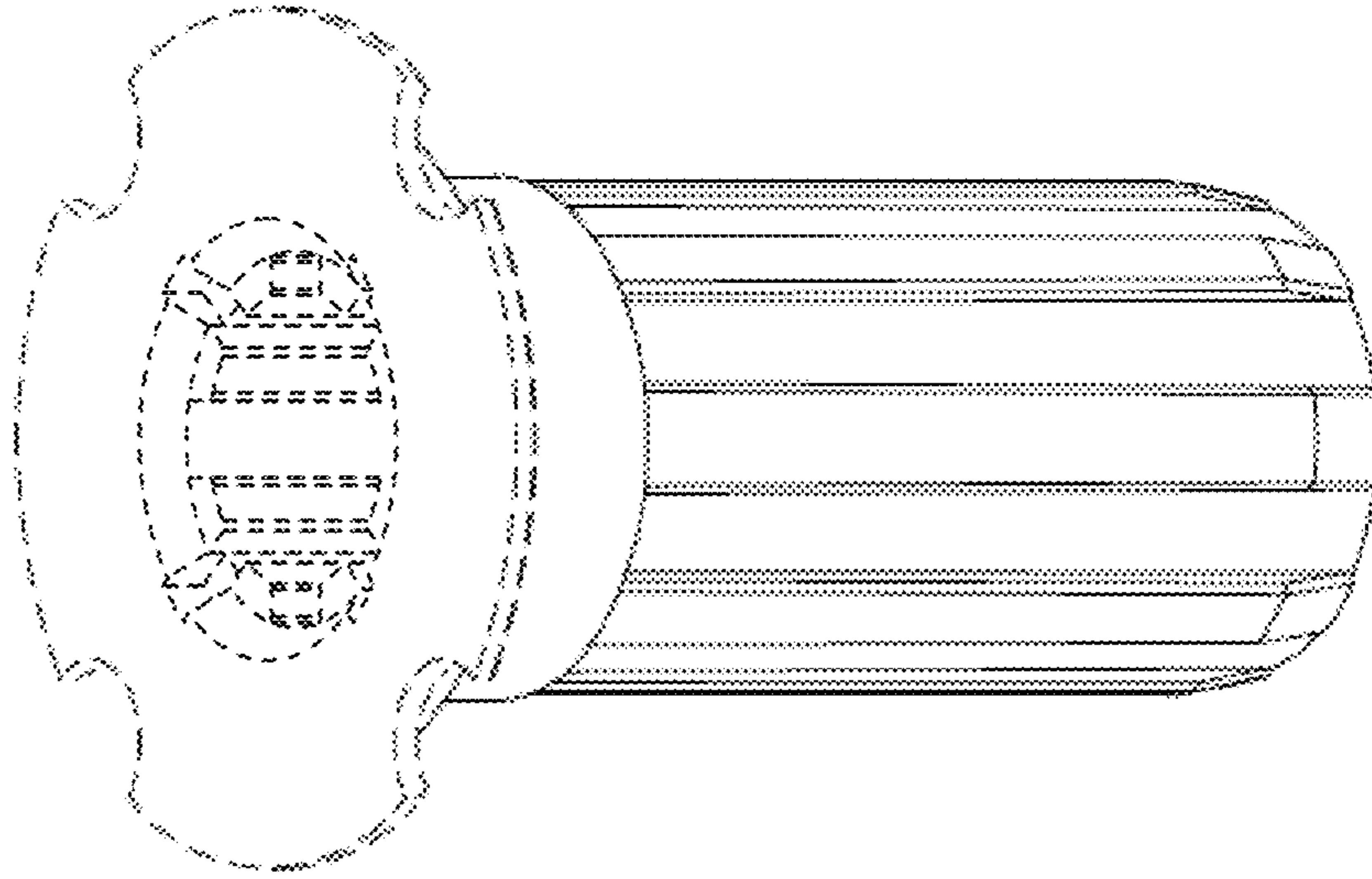


FIG. 2