



US00D758094S

(12) **United States Design Patent**
Reviel

(10) **Patent No.:** **US D758,094 S**
(45) **Date of Patent:** **** Jun. 7, 2016**

(54) **DETACHABLE SHELF FOR MOUNTING
ONTO TELEVISIONS AND OTHER
ACCESSORIES**

(71) Applicant: **Marc Reviel**, Cedar Park, TX (US)

(72) Inventor: **Marc Reviel**, Cedar Park, TX (US)

(**) Term: **15 Years**

(21) Appl. No.: **29/547,956**

(22) Filed: **Dec. 9, 2015**

Related U.S. Application Data

(62) Division of application No. 29/482,552, filed on Feb. 19, 2014, now Pat. No. Des. 745,291.

(51) **LOC (10) Cl.** **06-04**

(52) **U.S. Cl.**
USPC **D6/553**

(58) **Field of Classification Search**
USPC D6/389, 393, 419-420, 429-448,
D6/470-472, 477-479, 480-489, 505,
D6/509-511, 555, 574; D14/447, 457;
D19/35; 108/157.11, 157.13; 297/135,
297/145, 161, 188.2; 312/208.1, 223.3
See application file for complete search history.

(56) **References Cited**

U.S. PATENT DOCUMENTS

D186,181 S * 9/1959 Silkenat D6/418
3,185,113 A * 5/1965 Jacques et al. D6/574
3,807,319 A * 4/1974 Steanson, Jr. 108/42

D274,878 S * 7/1984 Kates D6/511
D292,352 S * 10/1987 Hampshire et al. D6/418
D337,907 S * 8/1993 Page D6/511
5,255,612 A * 10/1993 Anderson 108/43
D366,170 S * 1/1996 Temple D6/511
D377,275 S * 1/1997 Diletto D6/418
D414,959 S * 10/1999 Emerson D6/418
D435,380 S * 12/2000 Smith et al. D6/511
D603,634 S * 11/2009 Rotolo D6/511

* cited by examiner

Primary Examiner — Brian N Vinson

(74) *Attorney, Agent, or Firm* — Scheinberg & Associates;
Michael O. Scheinberg

(57) **CLAIM**

We claim the ornamental design for a detachable shelf for mounting onto televisions and other accessories, as shown and described.

DESCRIPTION

FIG. 1 is a perspective view of a detachable shelf for mounting onto televisions and other accessories showing my new design, the broken line disclosure of a television being for illustrative purposes only and forming no part of the claimed design;

FIG. 2 is the right perspective view of FIG. 1;

FIG. 3 is the left perspective view of FIG. 1;

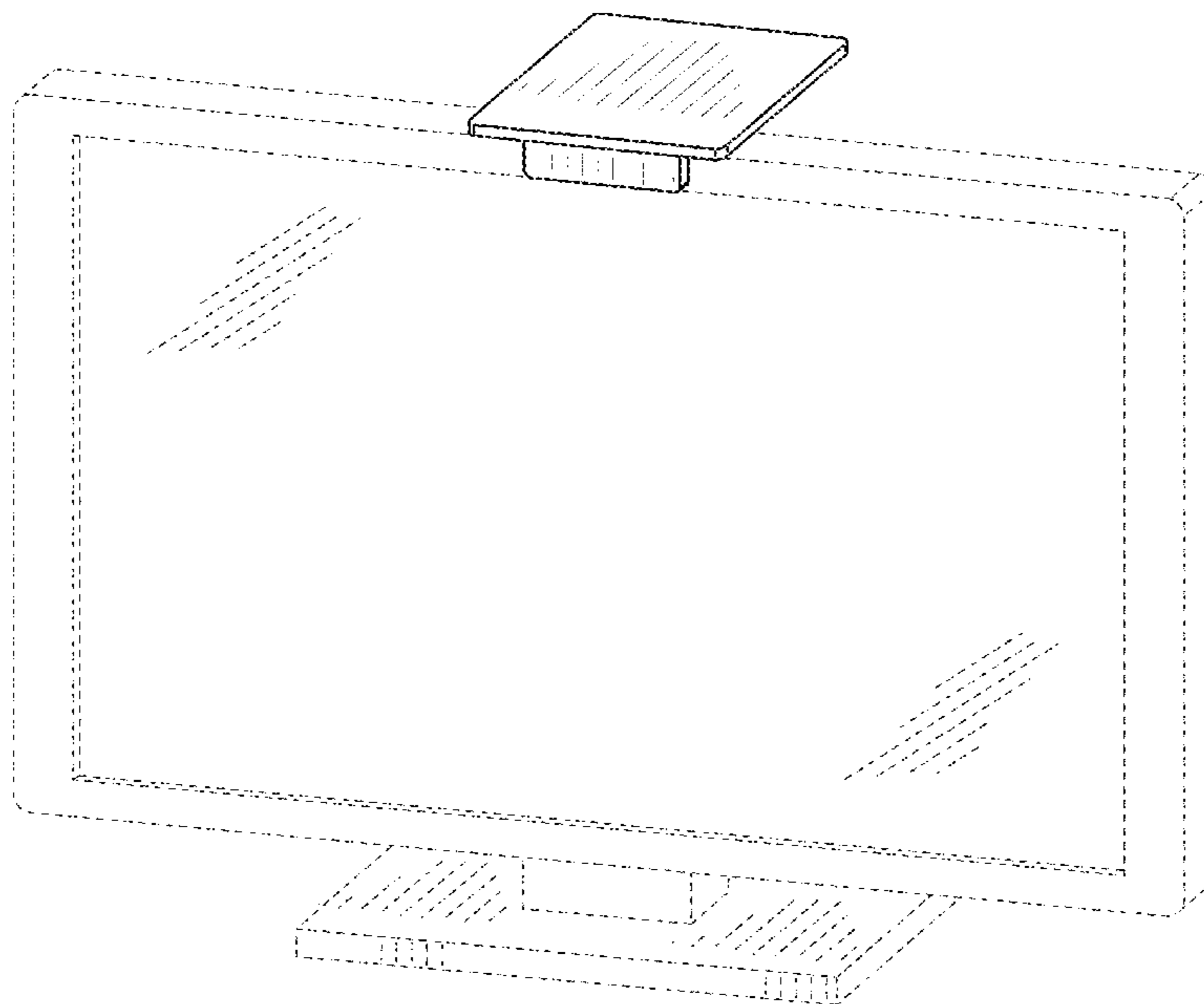
FIG. 4 is the front perspective view of FIG. 1;

FIG. 5 is the back perspective view of FIG. 1;

FIG. 6 is a top view of FIG. 1; and,

FIG. 7 is a bottom view of FIG. 1.

1 Claim, 3 Drawing Sheets



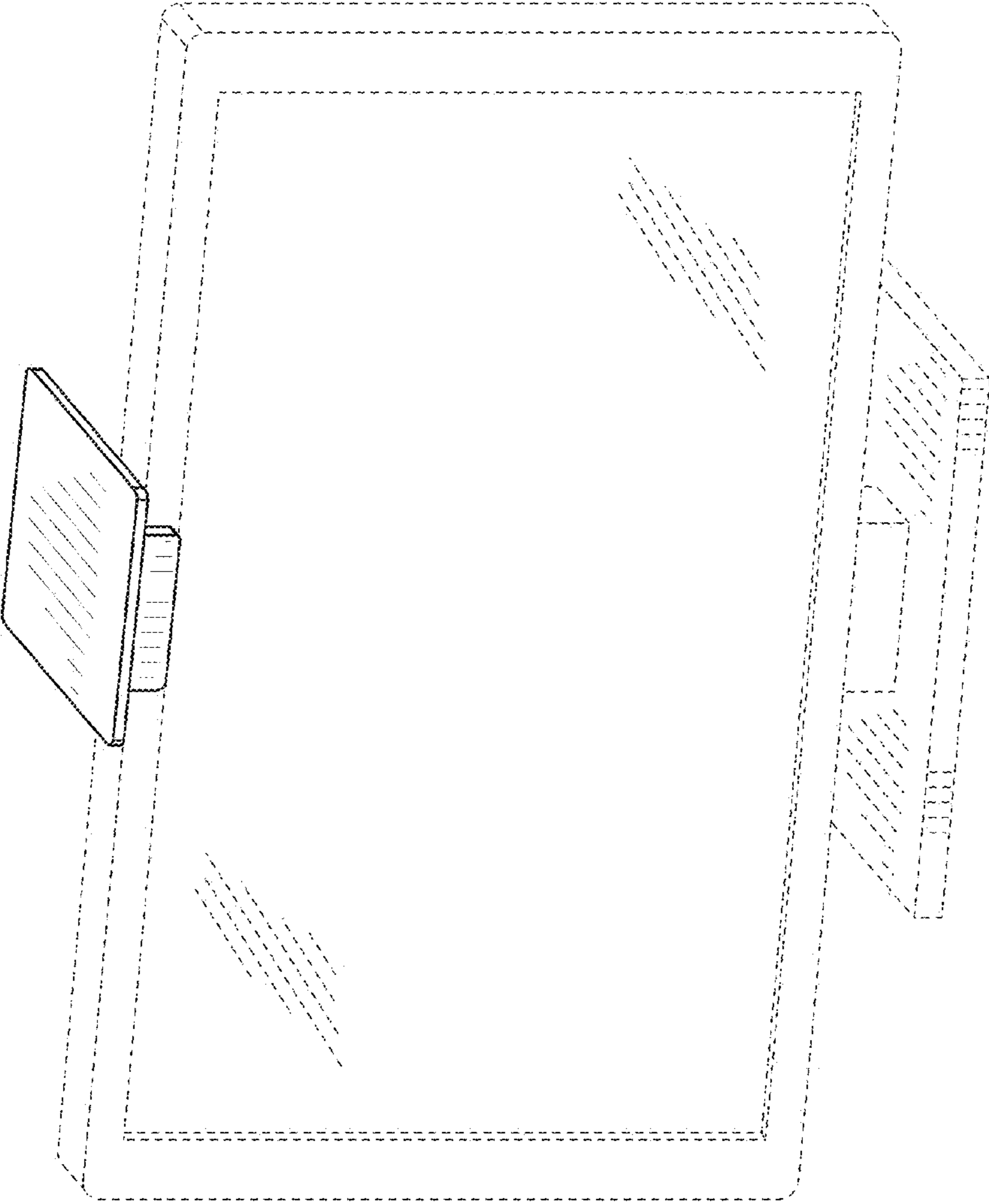


FIG. 1

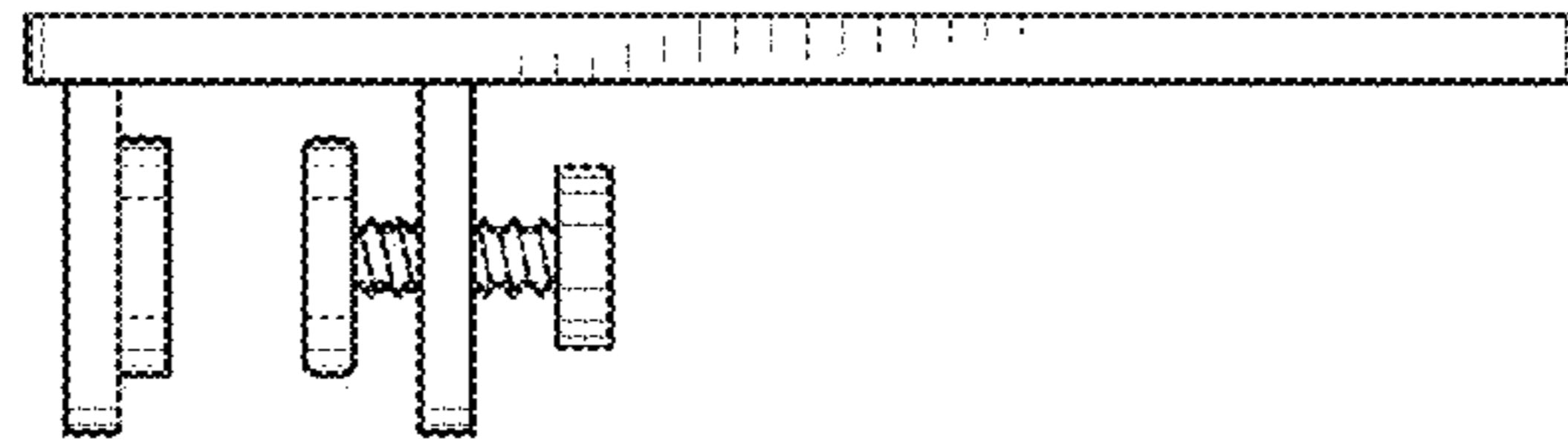


FIG. 2

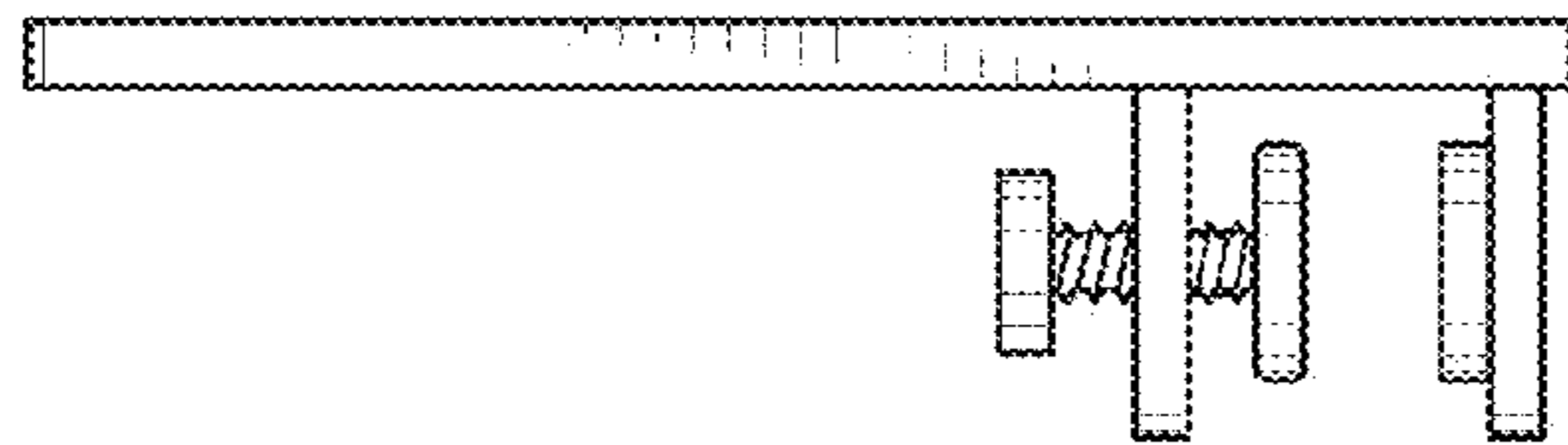


FIG. 3

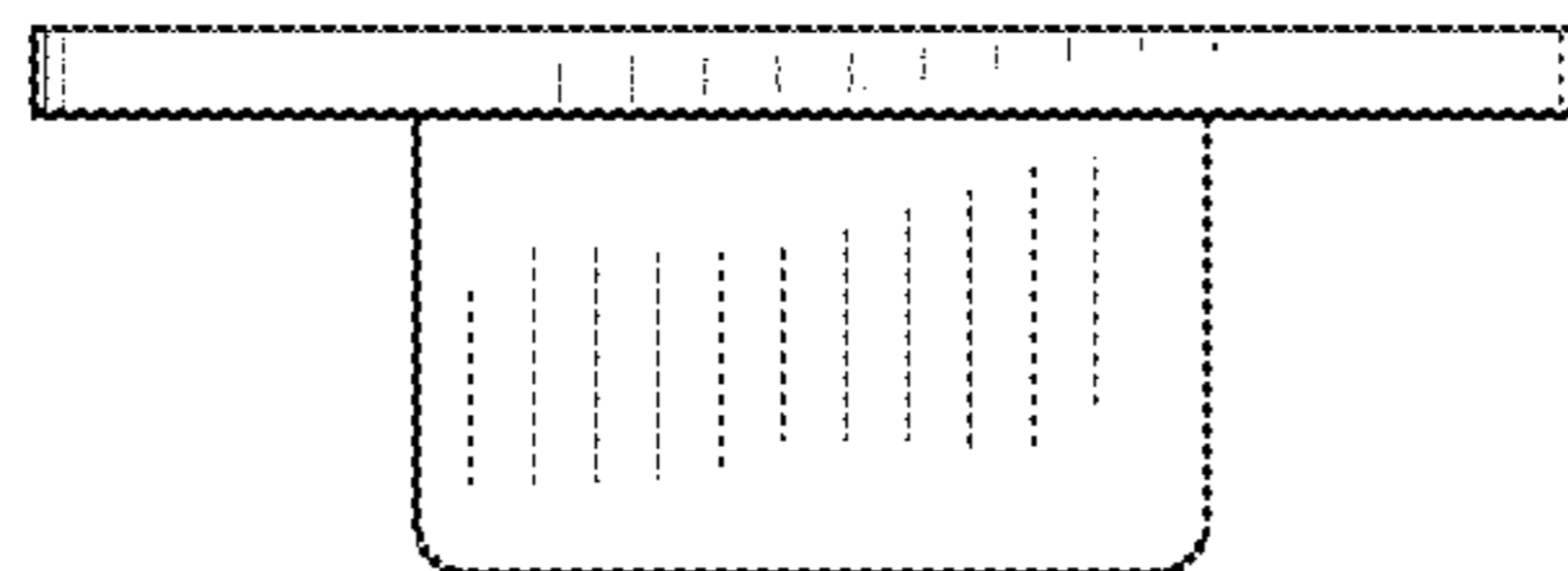


FIG. 4

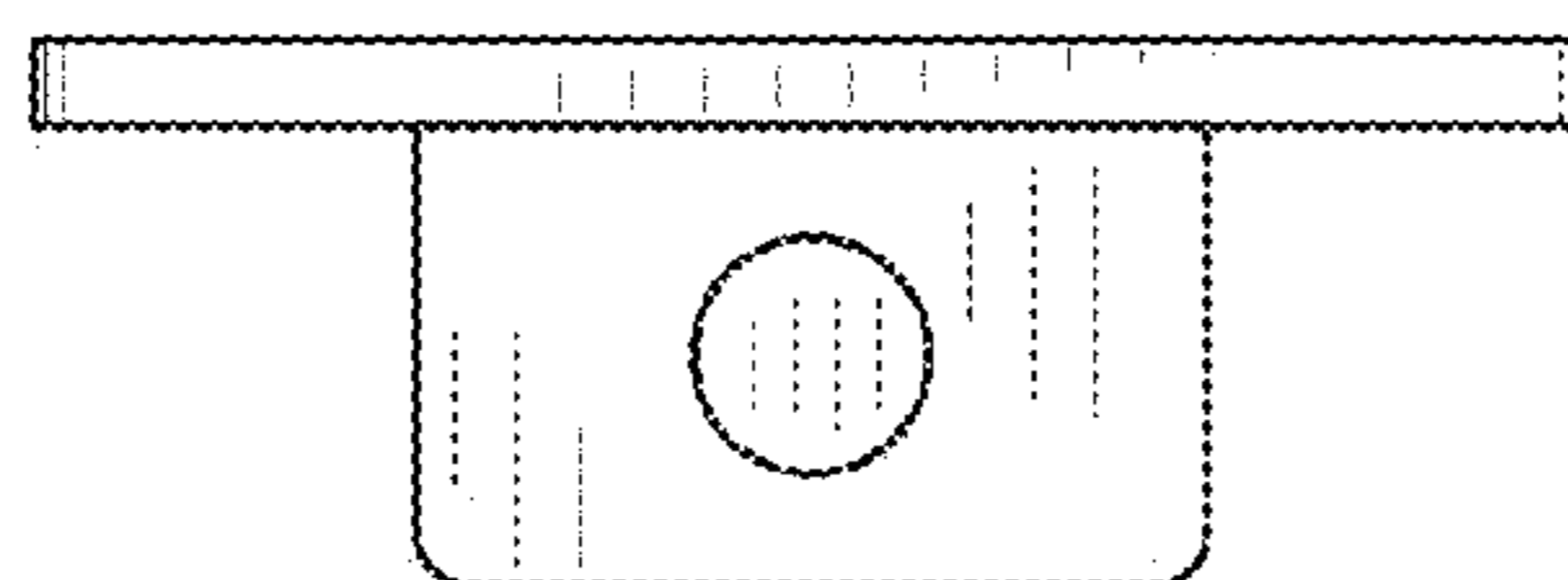


FIG. 5

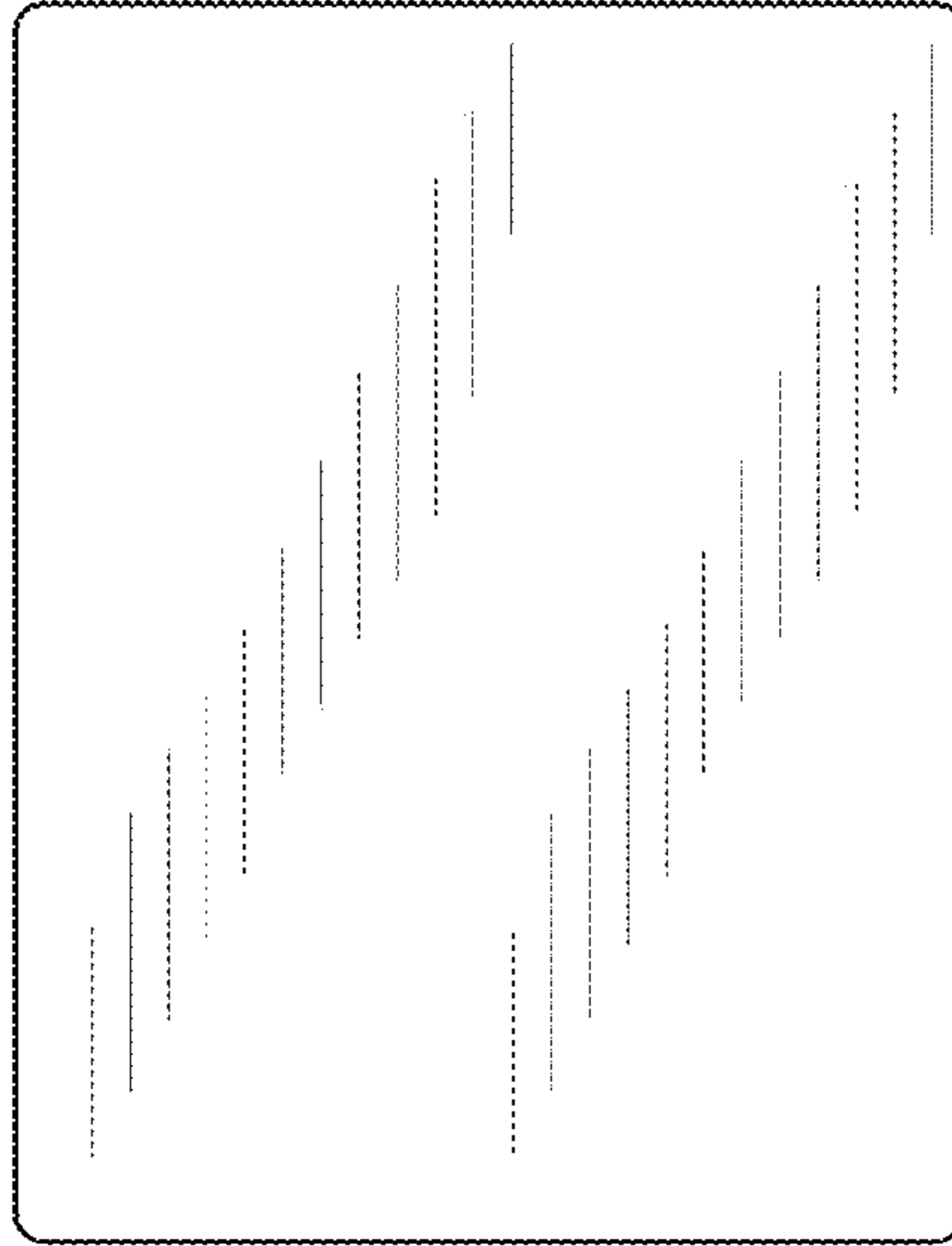


FIG. 6

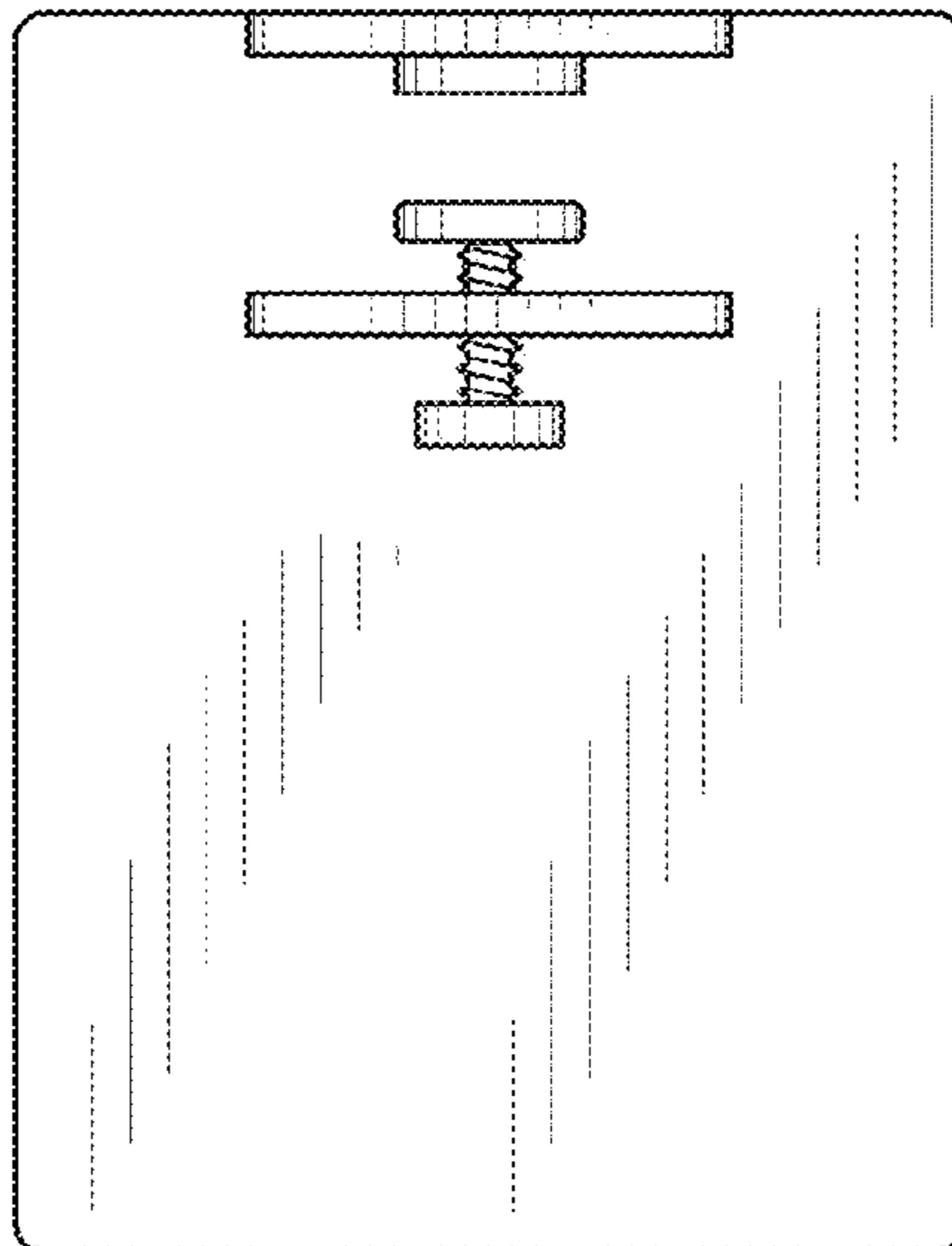


FIG. 7