



US00D758091S

(12) **United States Design Patent**  
**Ayats et al.**

(10) **Patent No.:** **US D758,091 S**  
(45) **Date of Patent:** **\*\* Jun. 7, 2016**

(54) **DISPENSER**

(71) Applicant: **Reckitt Benckiser LLC**, Parsippany, NJ (US)

(72) Inventors: **Francesc Ardite Ayats**, Barcelona (ES);  
**Alexander Emmerich**, Mazowiecki (PL); **Rachel Rowe**, Montvale, NJ (US);  
**Sebastiaan Bruining**, Eindhoven (NL);  
**Andrzej Olszewski**, Mazowiecki (PL);  
**Jan Wyszynski**, Mazowiecki (PL)

(73) Assignee: **Reckitt Benckiser LLC**, Parsippany, NY (US)

(\*\*) Term: **14 Years**

(21) Appl. No.: **29/511,056**

(22) Filed: **Dec. 5, 2014**

(30) **Foreign Application Priority Data**

Jun. 16, 2014 (EM) ..... 002483305

(51) **LOC (10) Cl.** ..... **09-03**

(52) **U.S. Cl.**  
USPC ..... **D6/415**

(58) **Field of Classification Search**  
USPC ..... D9/414, 415, 418, 438, 445, 457, 456,  
D9/499, 702, 722; D6/512, 515, 513, 517,  
D6/519  
CPC ..... A47F 7/02; A47F 5/0006; A47F 5/08;  
A47F 5/0892; A47F 1/04; A47F 5/01; A47F  
1/126; A47F 5/0807; A47F 5/0823; A47F  
1/125; A47F 1/128; A47F 3/0486; A47F  
5/0018; A47F 5/0056; A47F 5/02; A47F  
5/0861; A47F 7/024

See application file for complete search history.

(56) **References Cited**

U.S. PATENT DOCUMENTS

D678,759 S *	3/2013	Gottschalk	.....	D9/415
D684,041 S *	6/2013	Gottschalk	.....	D9/415
D692,295 S *	10/2013	Whalen, Jr.	.....	D9/415
D726,003 S *	4/2015	Biegler	.....	D9/415
D737,675 S *	9/2015	Moskovich	.....	D9/415
D744,326 S *	12/2015	Iacona	.....	D9/415
D745,385 S *	12/2015	Palsson	.....	D9/415

\* cited by examiner

*Primary Examiner* — Daniel Bui

*Assistant Examiner* — Khawaja Anwar

(74) *Attorney, Agent, or Firm* — Norris McLaughlin & Marcus PA

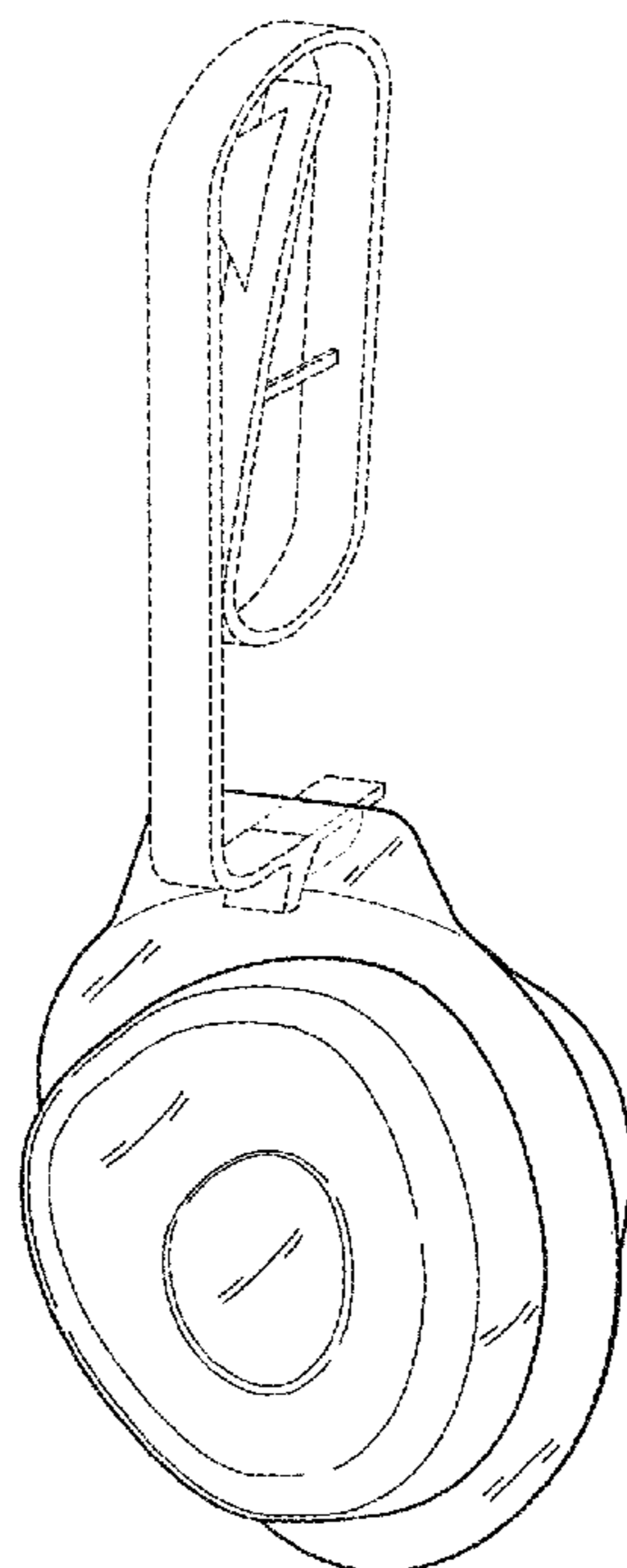
(57) **CLAIM**

The ornamental design for a dispenser, as shown and described.

**DESCRIPTION**

FIG. 1 is a front and side perspective view of a dispenser;  
FIG. 2 is a front elevational view thereof;  
FIG. 3 is a rear elevational view thereof;  
FIG. 4 is a right side elevational view thereof;  
FIG. 5 is a left side elevational view thereof;  
FIG. 6 is a top plan view thereof; and,  
FIG. 7 is a bottom plan view thereof.  
The broken line in the figure drawings represents unclaimed environment only and forms no part of the claimed design.

**1 Claim, 3 Drawing Sheets**



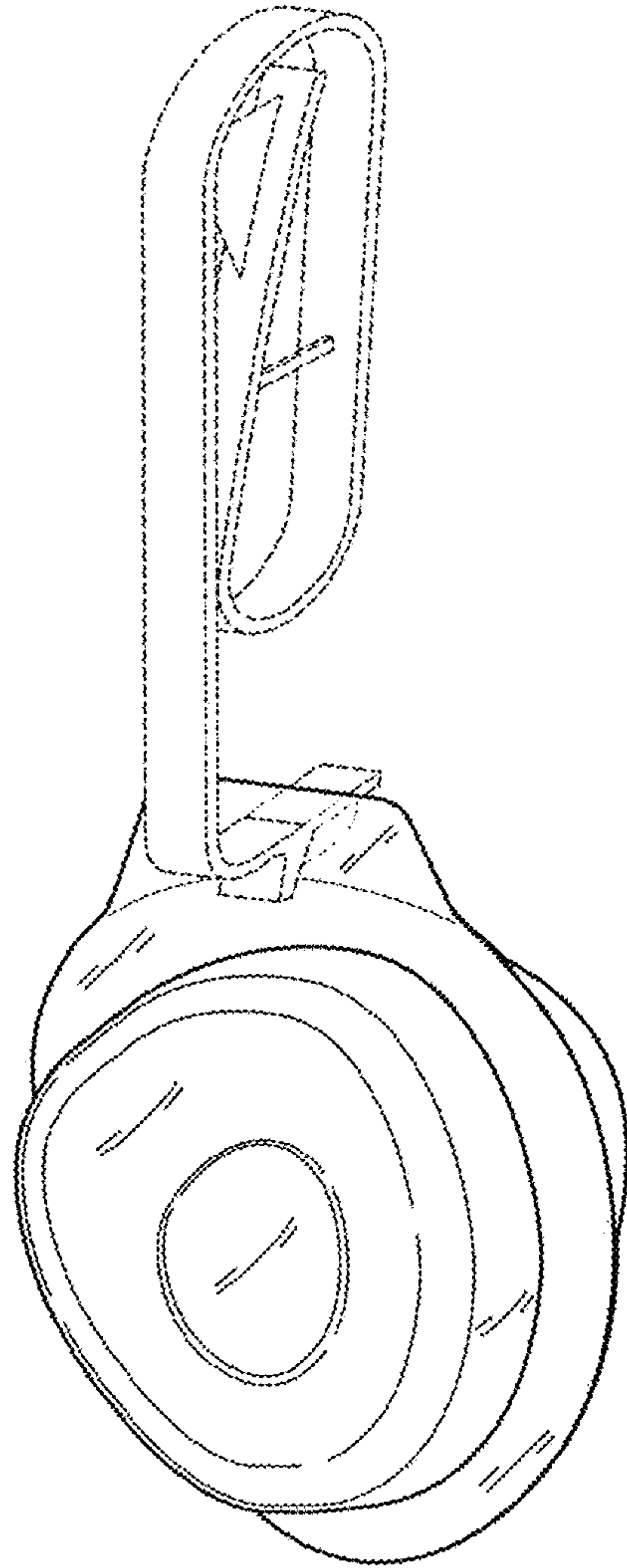


Fig. 1

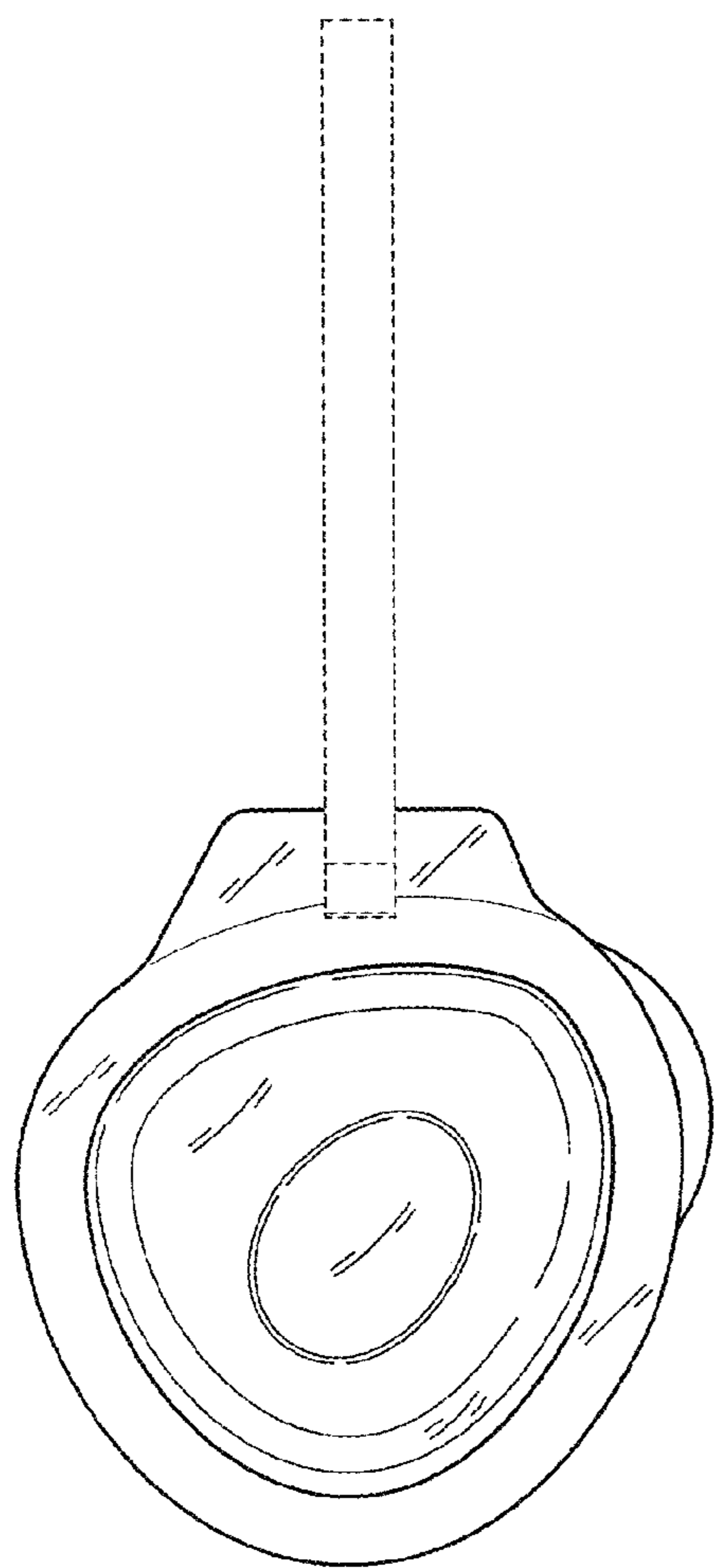


Fig. 2

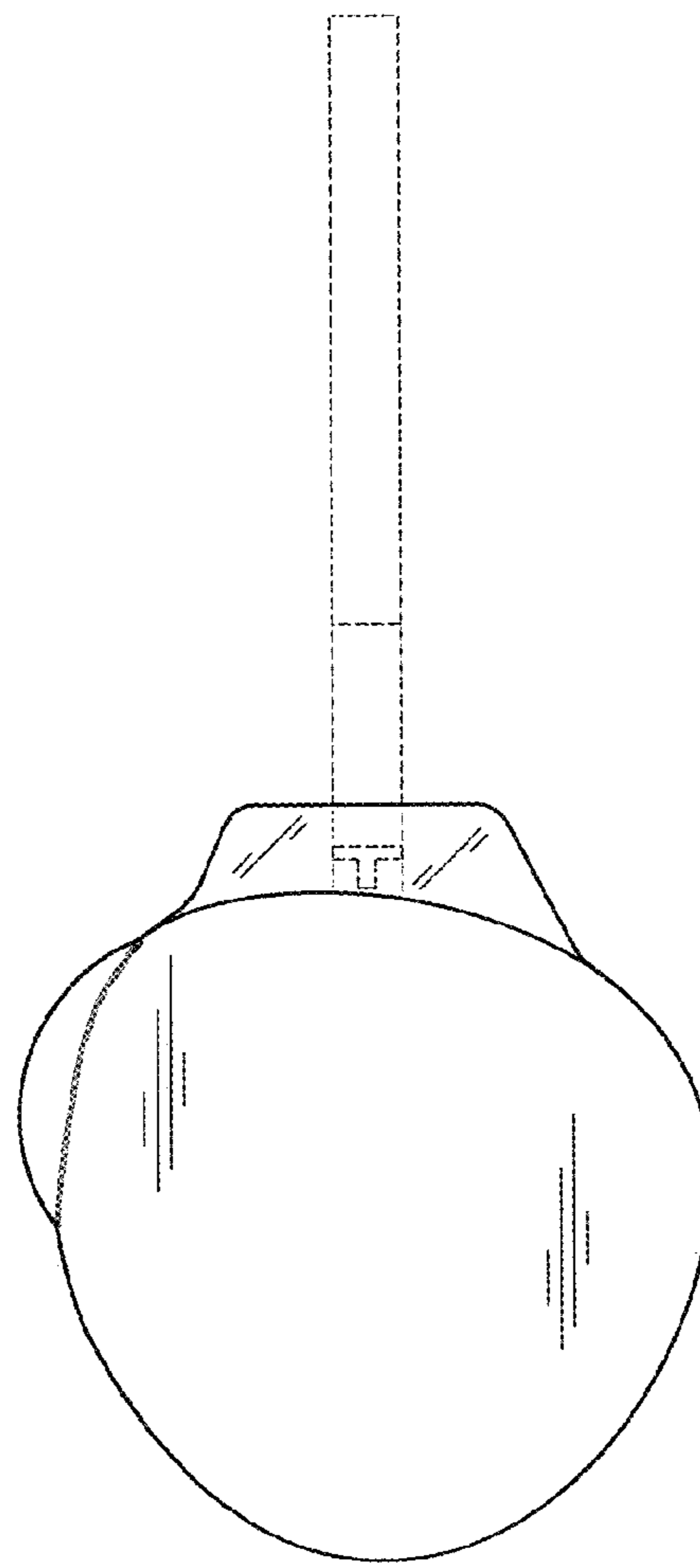


Fig. 3

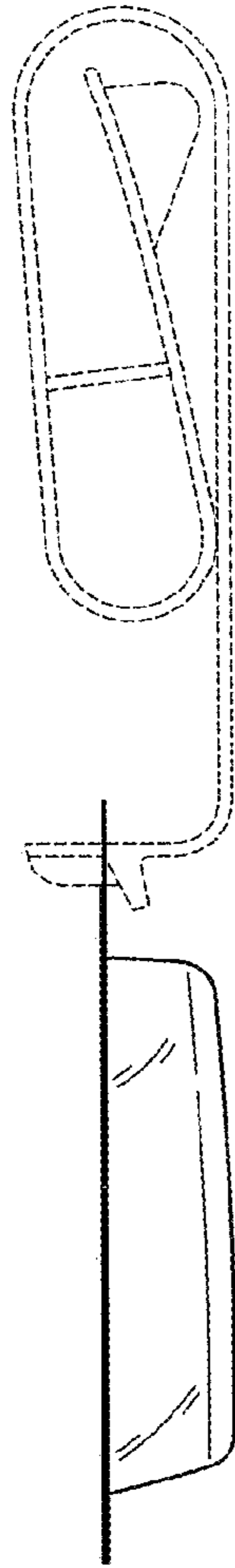


Fig. 4

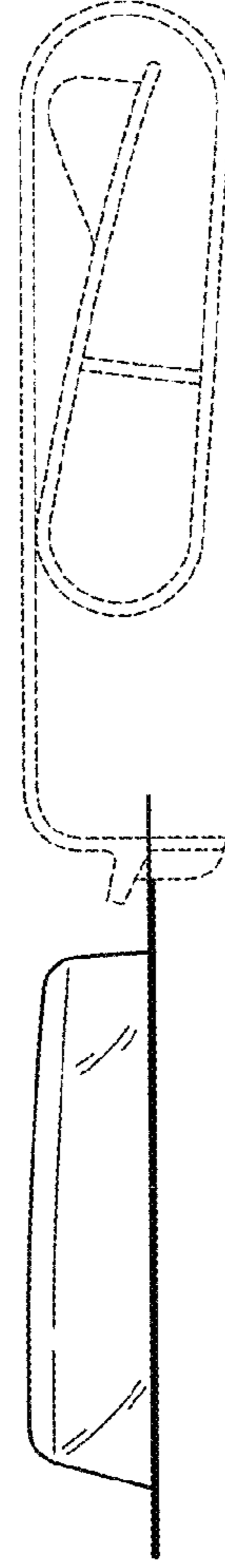


Fig. 5

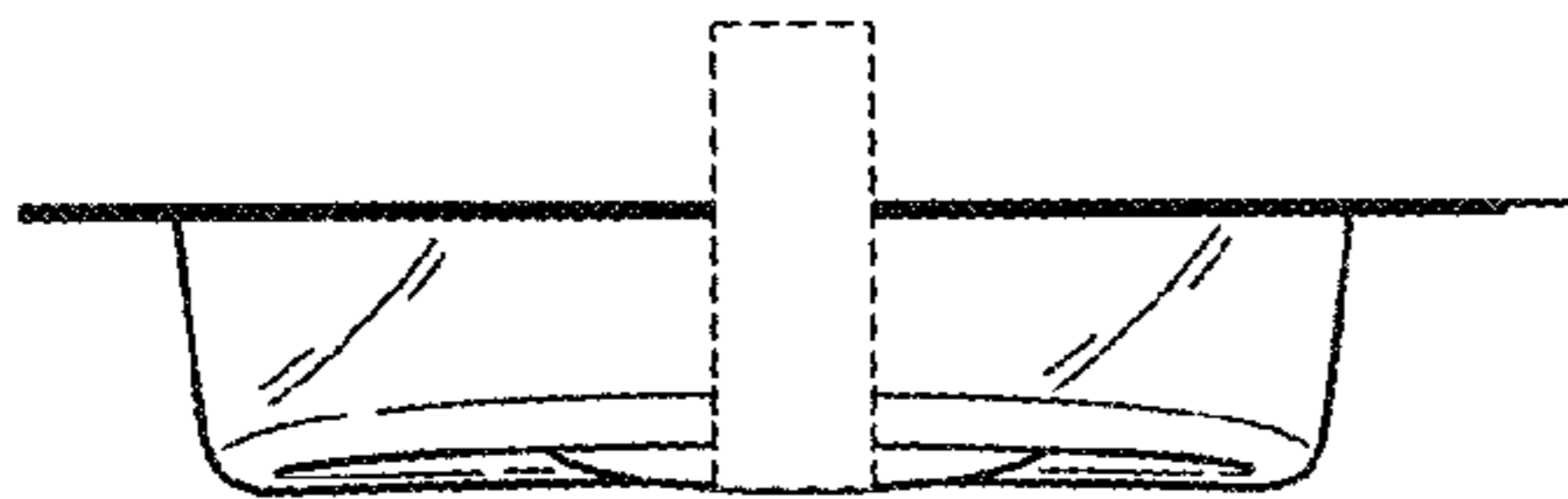


Fig. 6

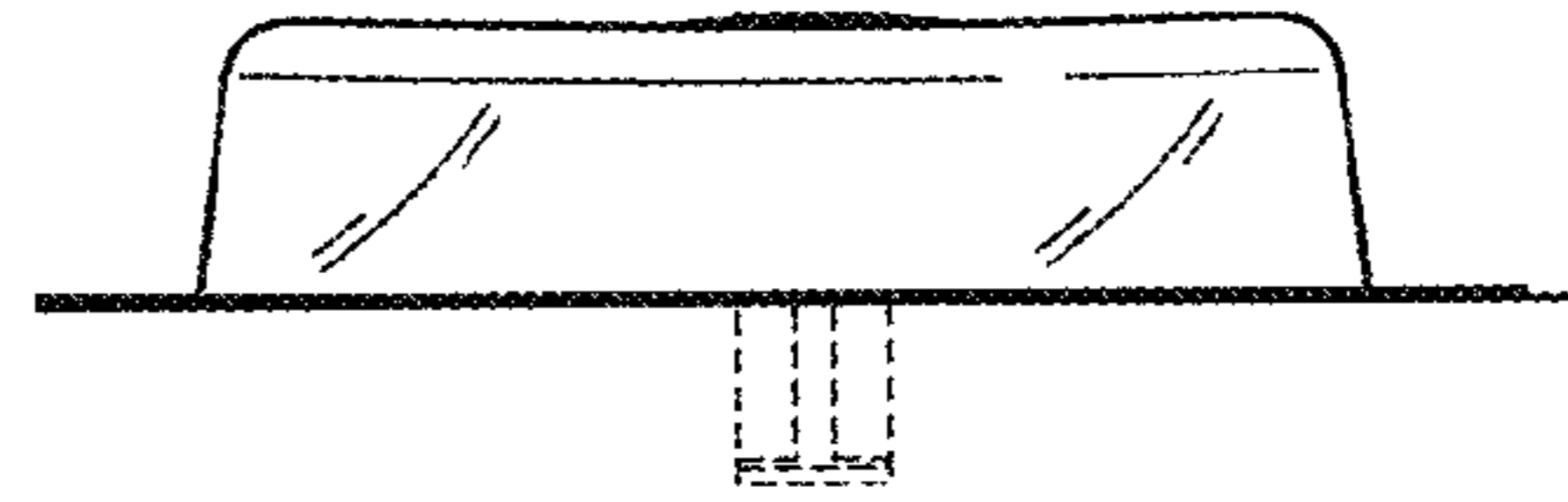


Fig. 7