



US00D758090S

(12) **United States Design Patent**
Shih

(10) **Patent No.:** **US D758,090 S**
(45) **Date of Patent:** **** Jun. 7, 2016**

- (54) **ADJUSTABLE ELECTRIC BED**
- (71) Applicant: **Chuan-Hang Shih**, Lu-Kang Town (TW)
- (72) Inventor: **Chuan-Hang Shih**, Lu-Kang Town (TW)
- (**) Term: **14 Years**
- (21) Appl. No.: **29/492,078**
- (22) Filed: **May 28, 2014**
- (51) **LOC (10) Cl.** **06-02**
- (52) **U.S. Cl.**
USPC **D6/392**
- (58) **Field of Classification Search**
USPC D6/382, 392, 361, 393, 718, 718.13
CPC A47C 19/02; A47C 20/08; A61G 7/00;
A61G 7/0573; A61G 7/015
See application file for complete search history.

- 2010/0083441 A1* 4/2010 Ishida A61G 7/002
5/604
- 2011/0247138 A1* 10/2011 Clenet A47C 20/04
5/613
- 2014/0000033 A1* 1/2014 Clenet A61G 7/015
5/618

* cited by examiner

Primary Examiner — Janice Seeger
(74) *Attorney, Agent, or Firm* — Muncy, Geissler, Olds & Lowe, P.C.

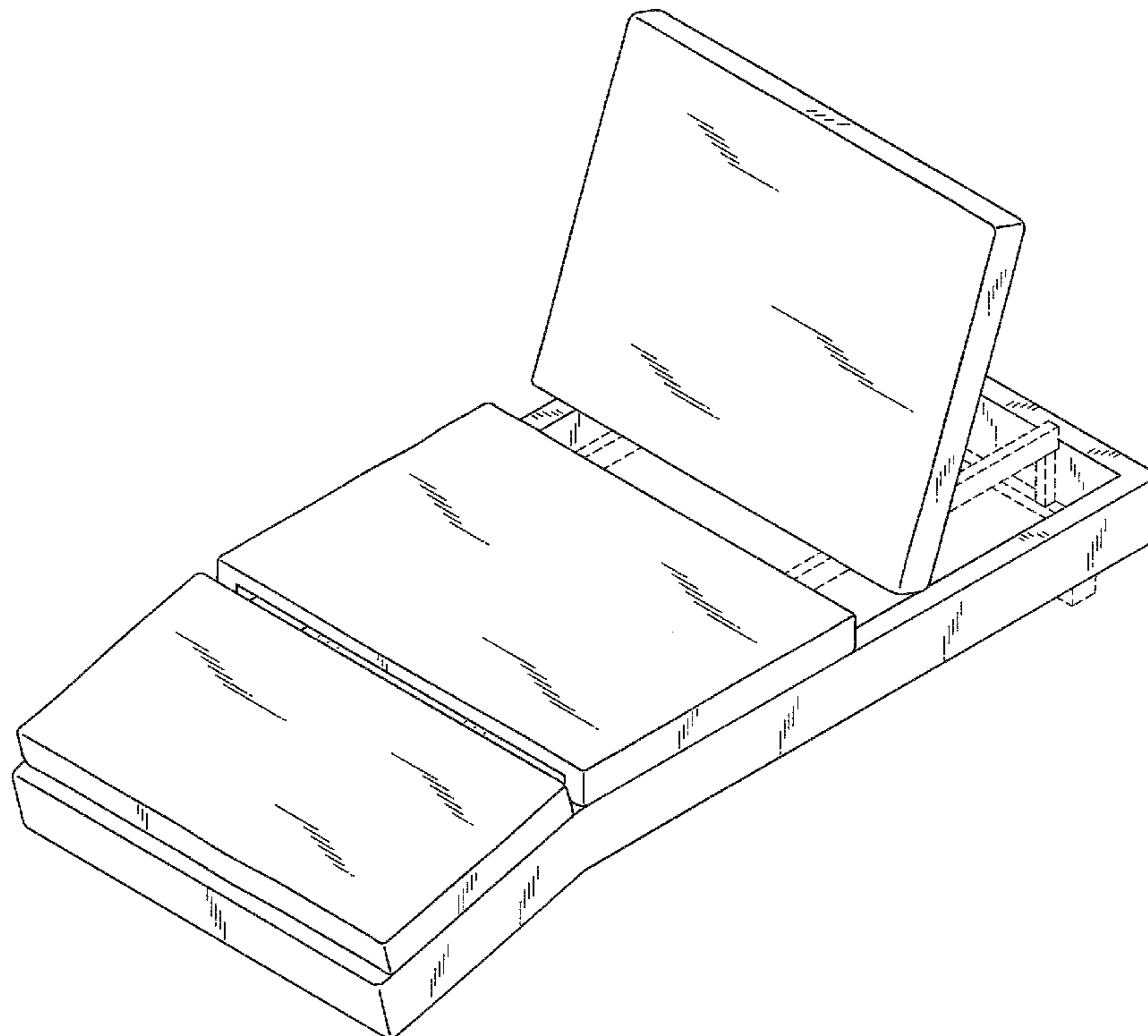
(57) **CLAIM**
The ornamental design for an adjustable electric bed, as shown and described.

DESCRIPTION

FIG. 1 is a perspective view of a first preferred embodiment of the present design.
FIG. 2 is a front view of the first preferred embodiment of the present design,
FIG. 3 is a front view showing the bed in a folded condition; and,
FIG. 4 is a perspective view of a second preferred embodiment of the present design.
The broken lines showing of structural feature is indeed for the purpose of illustrating non-claimed subject matter and forms no part of the claimed design.

- (56) **References Cited**
U.S. PATENT DOCUMENTS
- 3,644,946 A * 2/1972 Swatt A47C 20/041
5/616
- D657,156 S * 4/2012 Shih D6/361
- D657,157 S * 4/2012 Shih D6/361
- D707,462 S * 6/2014 McCarty D6/392
- D707,463 S * 6/2014 McCarty D6/361
- 2005/0011005 A1* 1/2005 Borda A47C 19/04
5/412

1 Claim, 4 Drawing Sheets



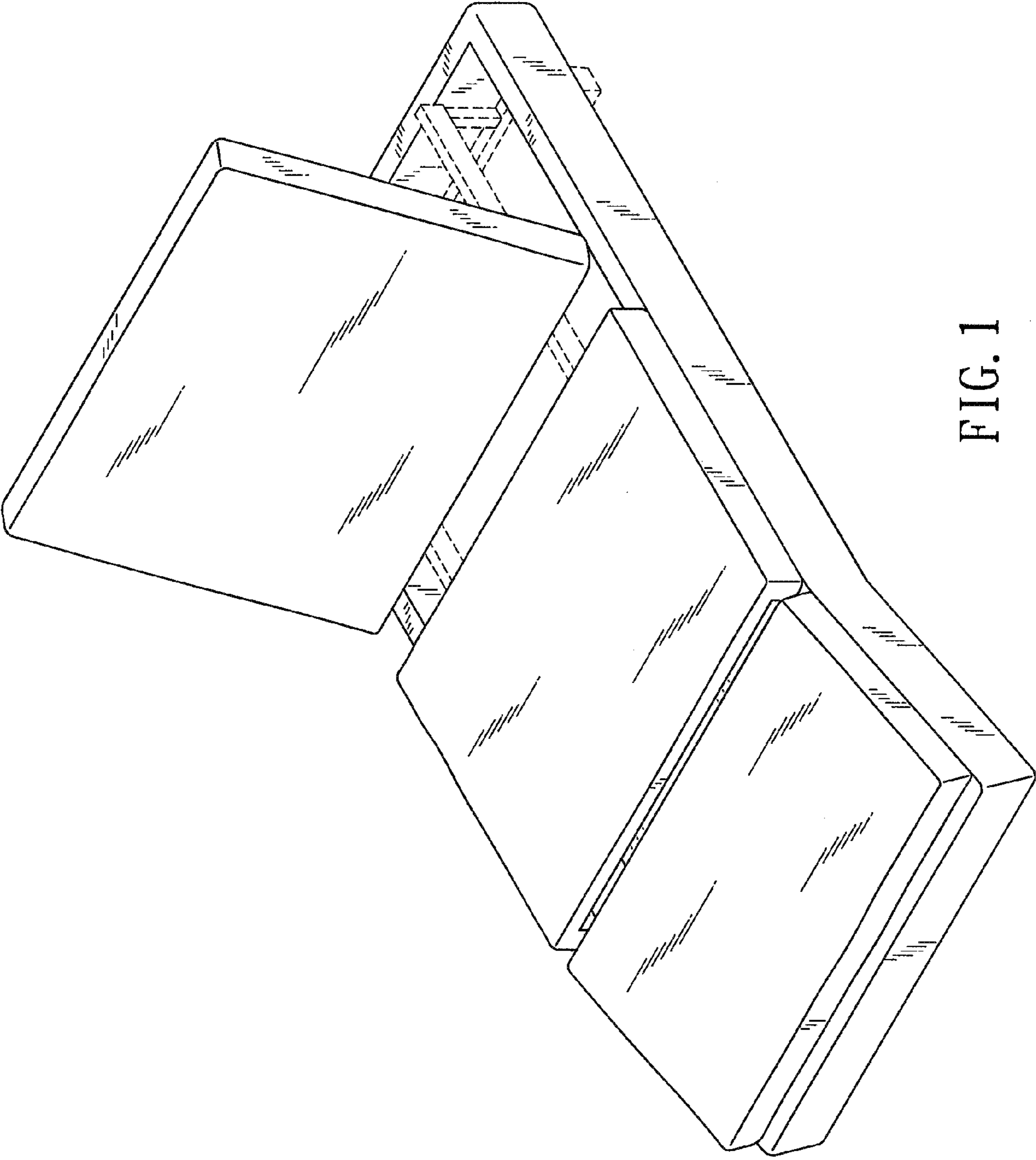


FIG. 1

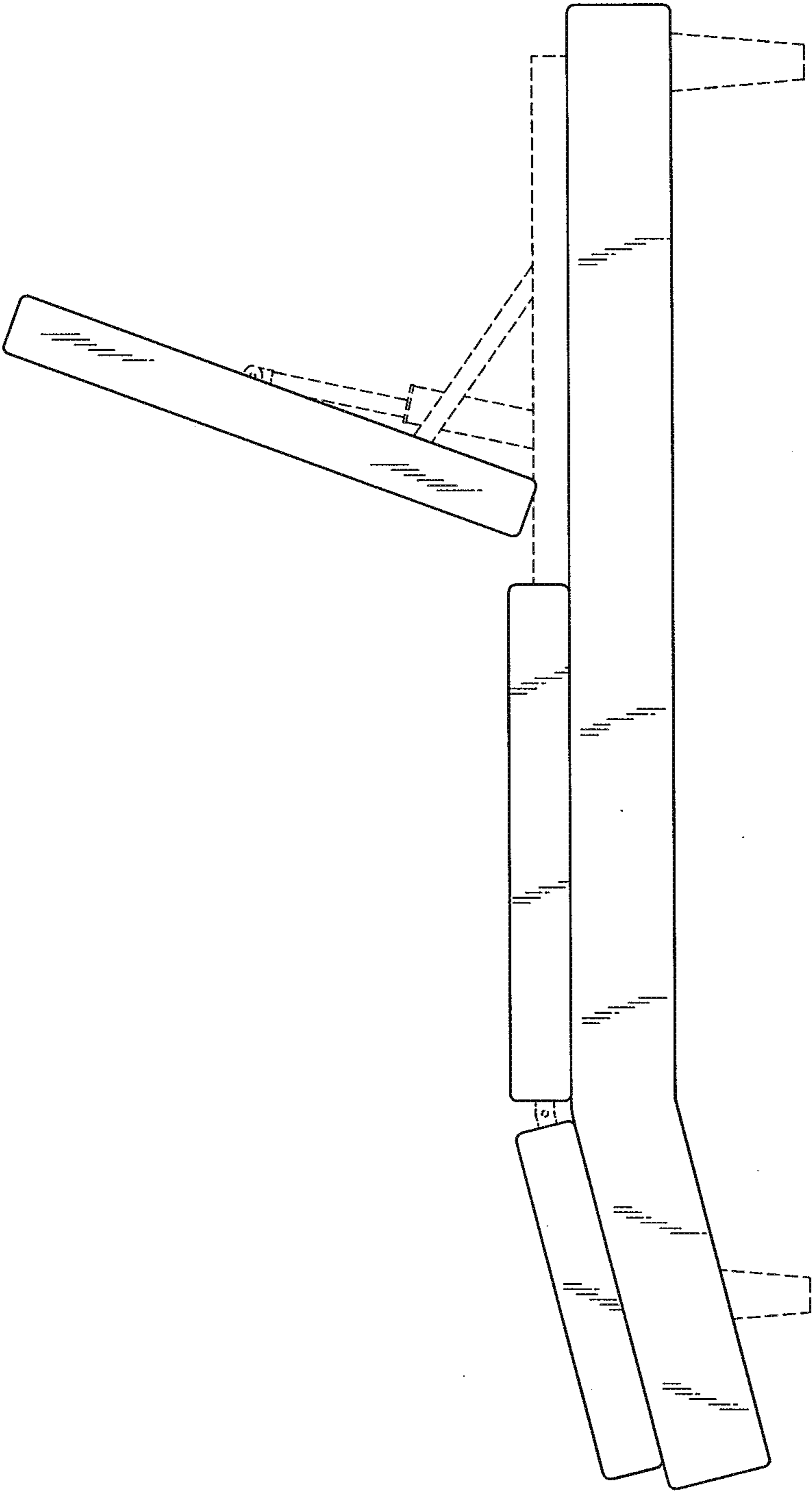


FIG. 2

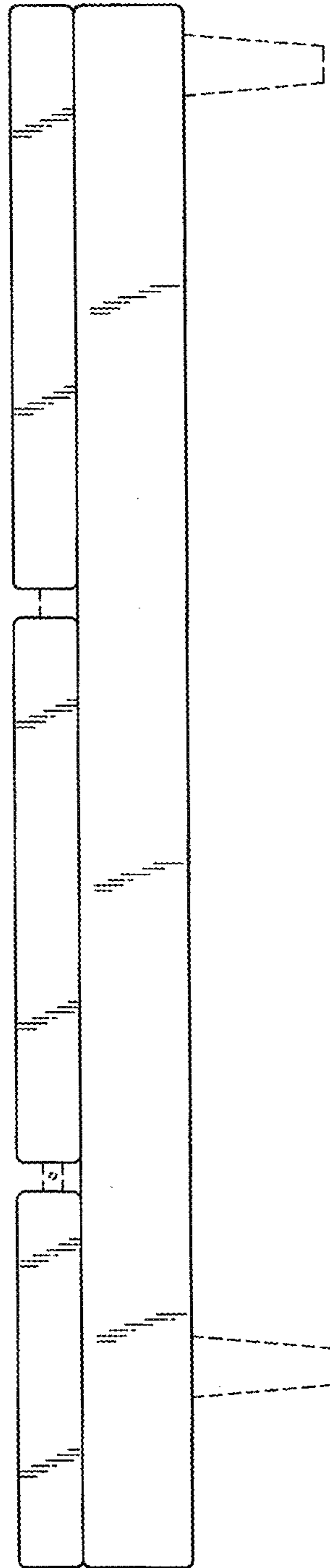


FIG. 3

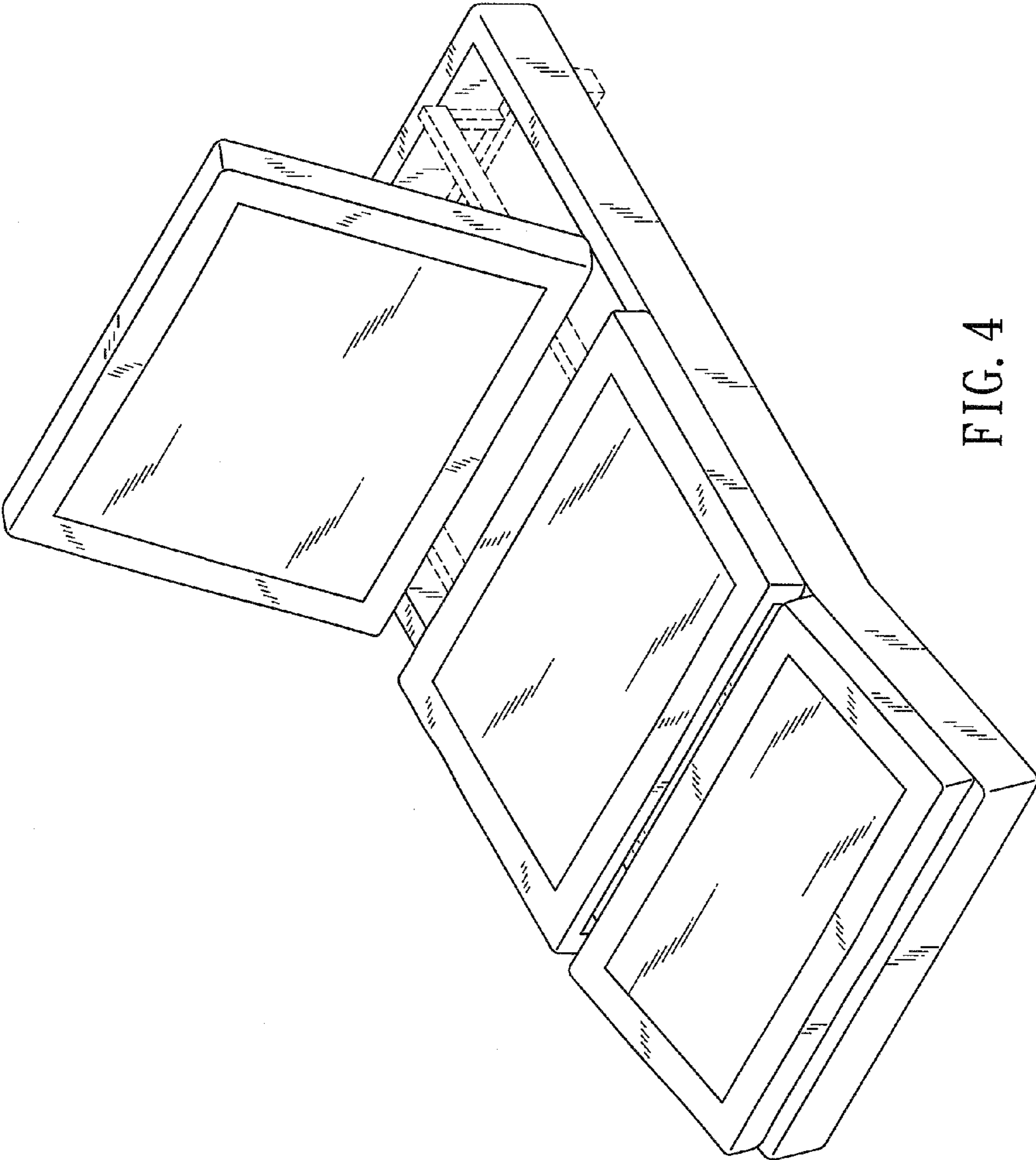


FIG. 4