



US00D758089S

(12) **United States Design Patent**
Thoms et al.

(10) **Patent No.:** **US D758,089 S**
(45) **Date of Patent:** **** Jun. 7, 2016**

(54) **SOFA**

(71) Applicant: **Ashley Furniture Industries, Inc.**,
Arcadia, WI (US)

(72) Inventors: **Kirk Thoms**, Tupelo, MS (US); **Christie Lamb**, Saltillo, MS (US)

(73) Assignee: **ASHLEY FURNITURE INDUSTRIES, INC.**, Arcadia, WI (US)

(**) Term: **14 Years**

(21) Appl. No.: **29/522,774**

(22) Filed: **Apr. 2, 2015**

(51) **LOC (10) Cl.** **06-01**

(52) **U.S. Cl.**
USPC **D6/381**

(58) **Field of Classification Search**
USPC D6/334, 335, 336, 338, 349, 355, 381,
D6/716, 716.1; 297/118, 119, 135, 144,
297/232, 445.1, 448.1, 452.18; 5/12.1, 12.2
CPC A47C 1/02; A47C 1/12; A47C 11/00;
A47C 17/00; A47C 17/02

See application file for complete search history.

(56) **References Cited**

U.S. PATENT DOCUMENTS

D492,500	S	*	7/2004	Nash	D6/381
D614,418	S	*	4/2010	Crockett	D6/381
D721,513	S	*	1/2015	Adair	D6/381
D721,514	S	*	1/2015	Adair	D6/381
D721,515	S	*	1/2015	Adair	D6/381
D721,516	S	*	1/2015	Adair	D6/381
D721,899	S	*	2/2015	Adair	D6/381
D741,082	S	*	10/2015	Dix	D6/381

* cited by examiner

Primary Examiner — Sandra Snapp

(74) *Attorney, Agent, or Firm* — McAndrews, Held & Malloy, Ltd.

(57) **CLAIM**

The ornamental design for a sofa, as shown and described.

DESCRIPTION

FIG. 1 is a perspective view of a sofa showing our new design; FIG. 2 is a front elevation view thereof; FIG. 3 is a left side elevation view thereof; FIG. 4 is a right side elevation view thereof; and, FIG. 5 is a top plan view thereof.

The shorter dashed broken lines depicting the stitching form part of the claimed design.

Views of the sofa not shown in the figures form no part of the claimed design.

1 Claim, 5 Drawing Sheets

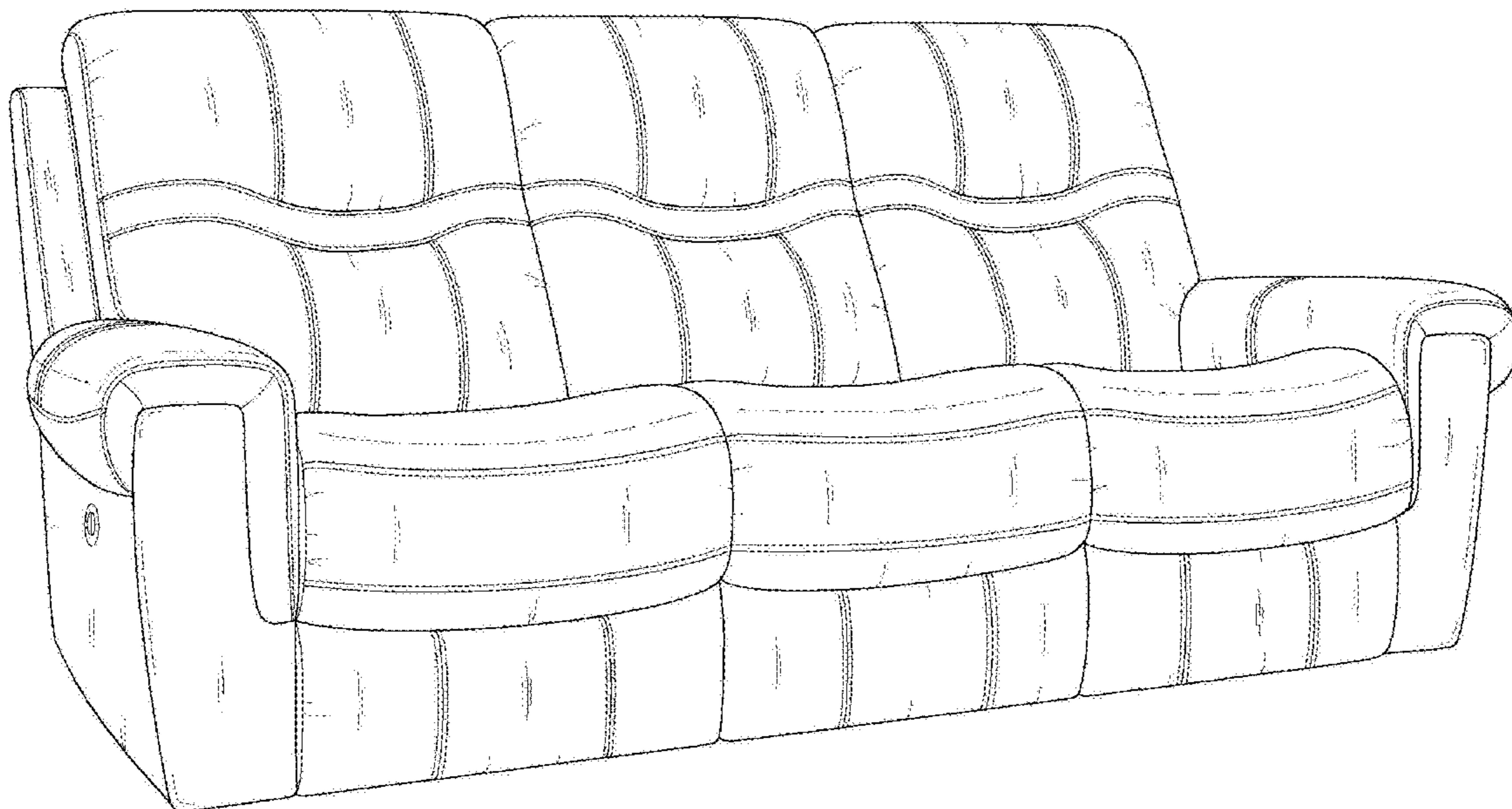


FIG. 1

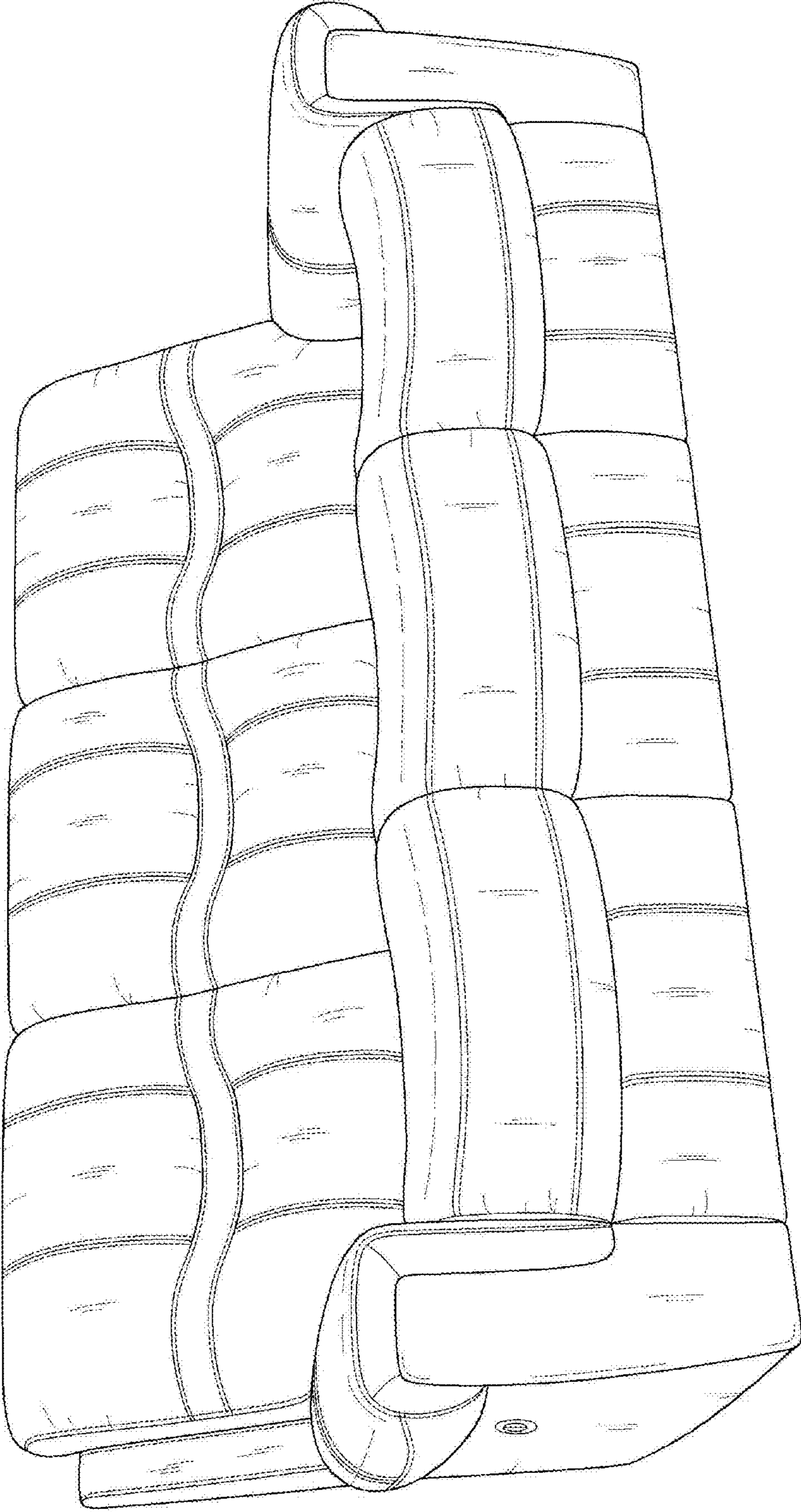


FIG. 2

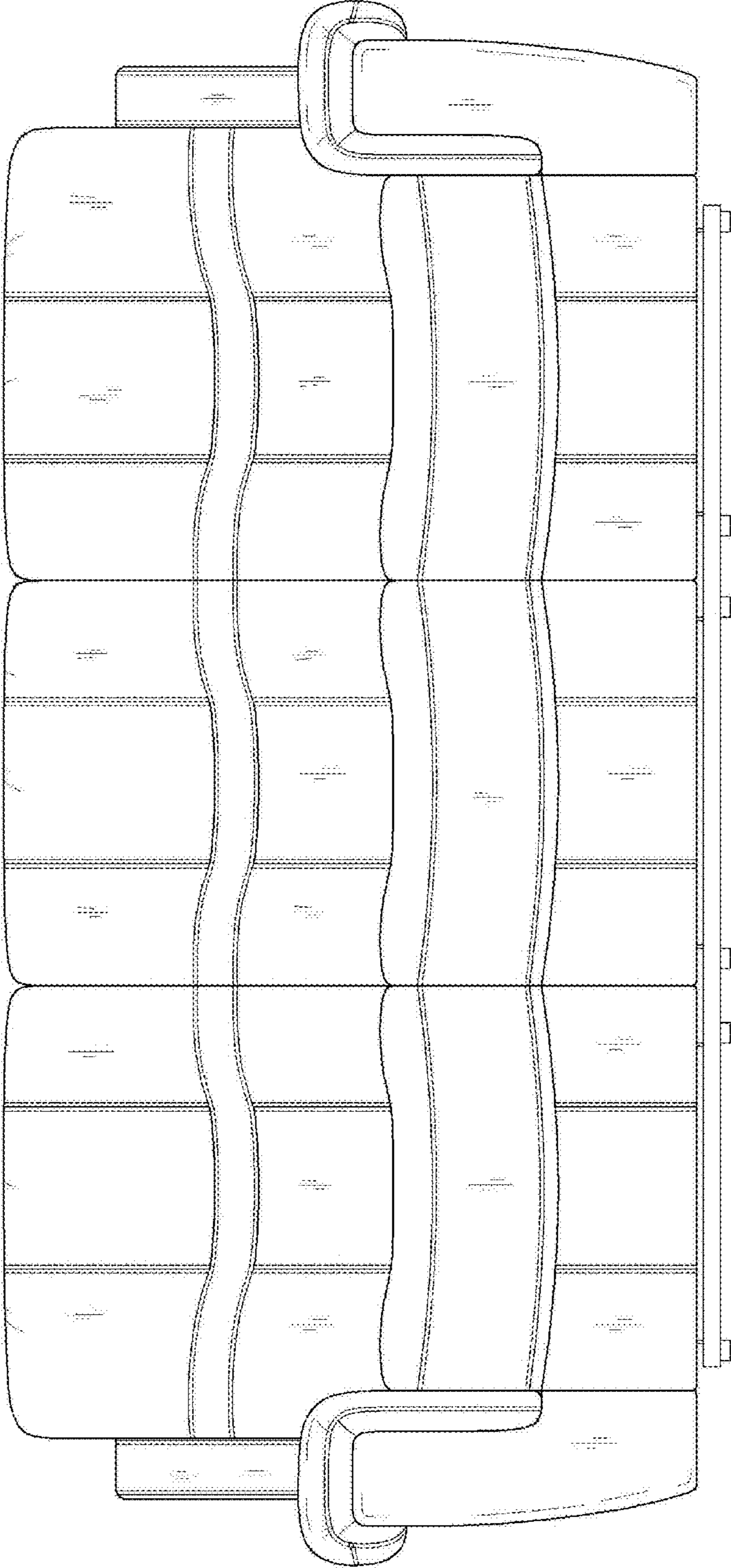
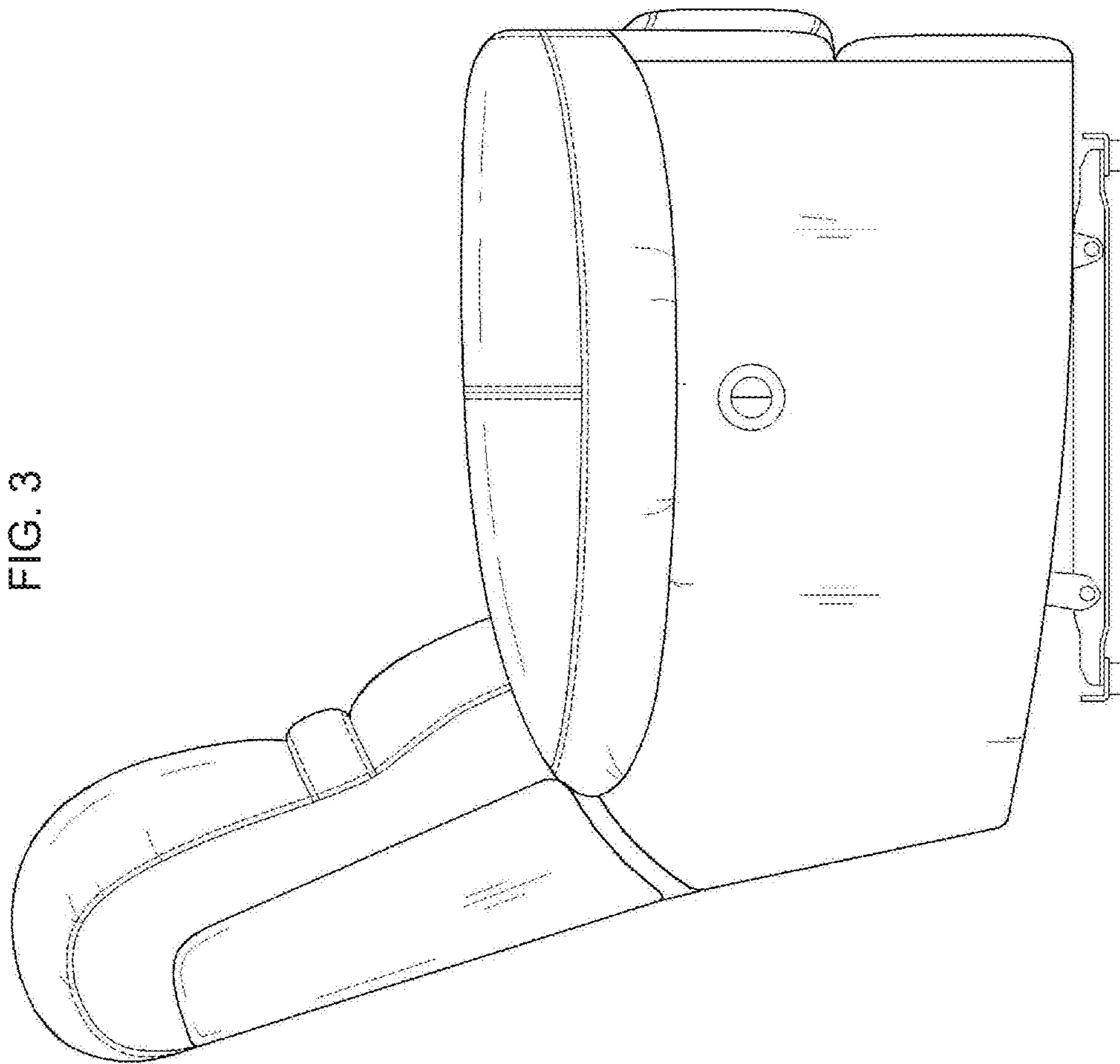


FIG. 3



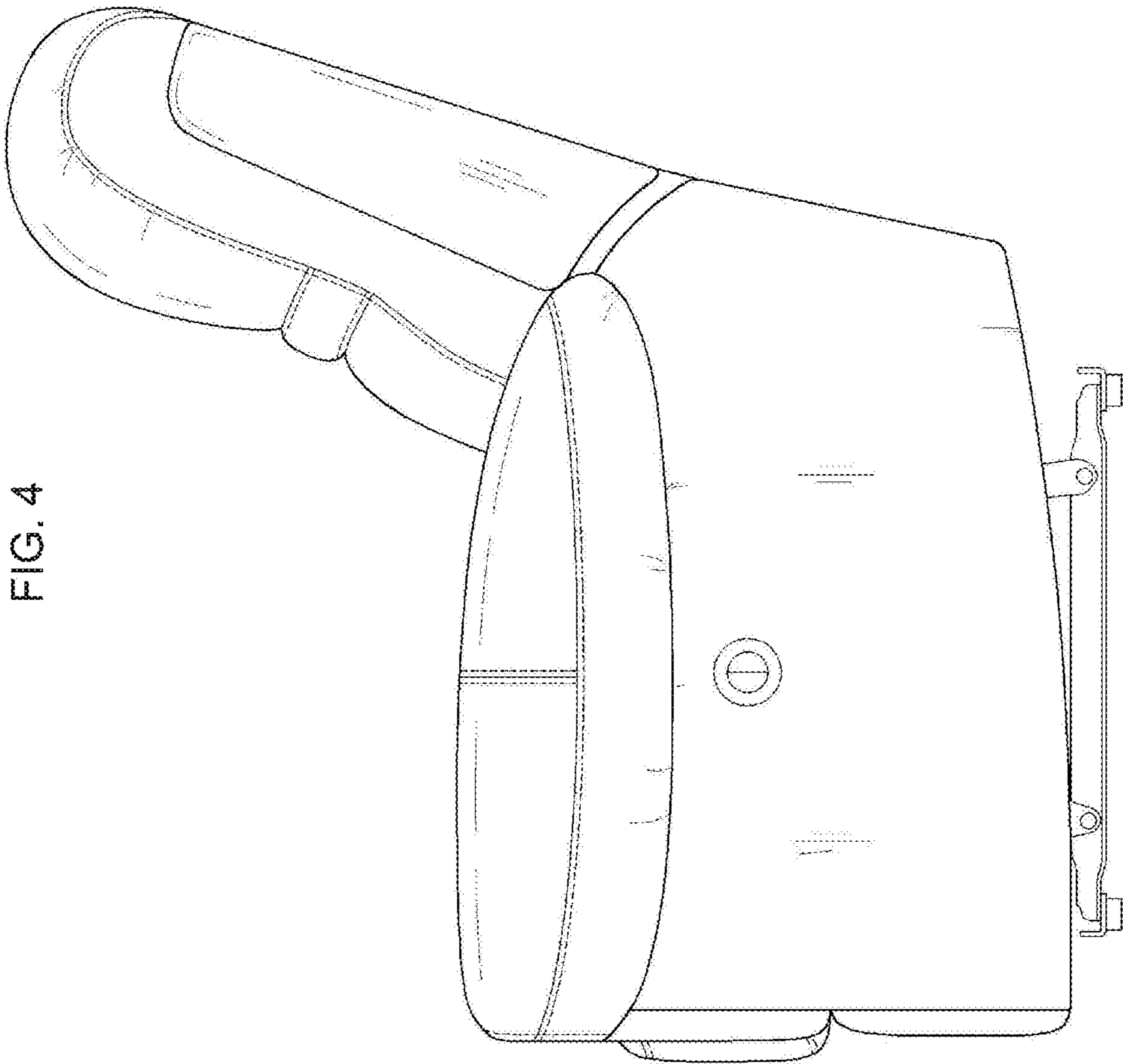


FIG. 4

FIG. 5

