



US00D758086S

(12) **United States Design Patent**  
**Hurford**

(10) **Patent No.:** **US D758,086 S**  
(45) **Date of Patent:** **\*\* Jun. 7, 2016**

(54) **CHAIR**

(56) **References Cited**

(71) Applicant: **OKAMURA CORPORATION**,  
Yokohama-shi, Kanagawa (JP)  
(72) Inventor: **Alexander Hurford**, Yokohama (JP)  
(73) Assignee: **Okamura Corporation**, Kanagawa (JP)  
(\*\*) Term: **14 Years**  
(21) Appl. No.: **29/521,905**

U.S. PATENT DOCUMENTS

D555,924	S	*	11/2007	Igarashi	.....	D6/366
D587,915	S	*	3/2009	Igarashi	.....	D6/366
D600,936	S	*	9/2009	Koh	.....	D6/376
D643,225	S	*	8/2011	Hurford	.....	D6/376
D653,045	S	*	1/2012	Schaack	.....	D6/366
D674,618	S	*	1/2013	Petrick	.....	D6/376
D680,770	S	*	4/2013	Hori	.....	D6/376
D686,832	S	*	7/2013	Hori	.....	D6/376
D686,833	S	*	7/2013	Chan	.....	D6/376
2009/0127914	A1	*	5/2009	Igarashi	.....	A47C 7/40 297/452.46

(22) Filed: **Mar. 26, 2015**

\* cited by examiner

(30) **Foreign Application Priority Data**

Sep. 29, 2014 (JP) ..... 2014-021516

(51) **LOC (10) Cl.** ..... **06-01**

(52) **U.S. Cl.**  
USPC ..... **D6/366**

(58) **Field of Classification Search**  
USPC ..... D6/334-336, 364, 365, 366, 374, 376,  
D6/379, 380, 716, 716.1, 716.2, 716.3,  
D6/716.4  
CPC ..... A47C 7/004; A47C 7/006; A47C 7/4028;  
A47C 7/40; A47C 7/022; A47C 7/18  
See application file for complete search history.

*Primary Examiner* — Mimoso De  
(74) *Attorney, Agent, or Firm* — Sughrue Mion, PLLC

(57) **CLAIM**  
The ornamental design for a chair, as shown and described.

**DESCRIPTION**

FIG. 1 is a perspective view of a chair from the front side;  
FIG. 2 is a perspective view from the rear side thereof;  
FIG. 3 is a front elevation view thereof;  
FIG. 4 is a rear elevation view thereof;  
FIG. 5 is a right side elevation view thereof;  
FIG. 6 is a left side elevation view thereof;  
FIG. 7 is a top plan view thereof; and,  
FIG. 8 is a bottom plan view thereof.

**1 Claim, 8 Drawing Sheets**

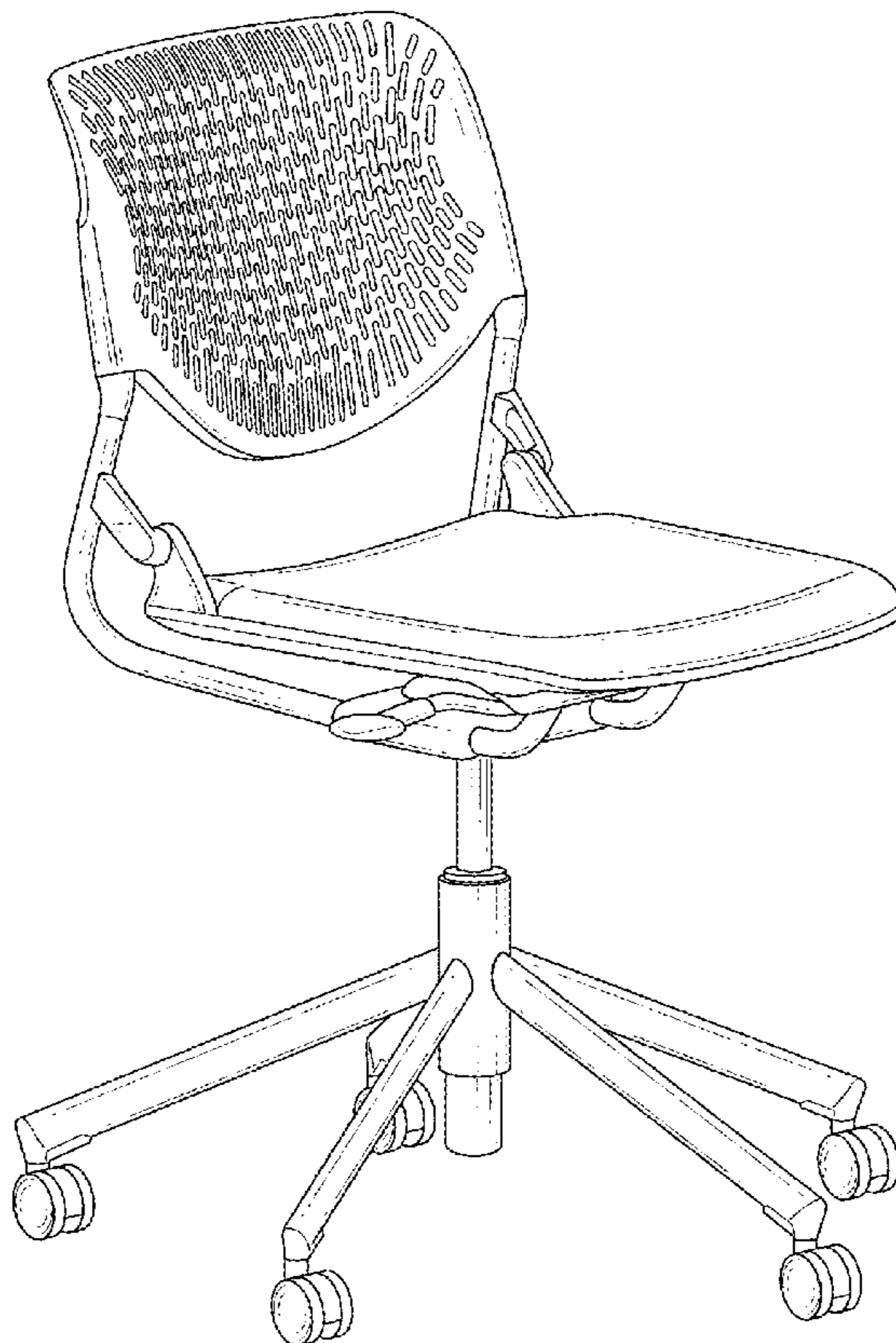


FIG. 1

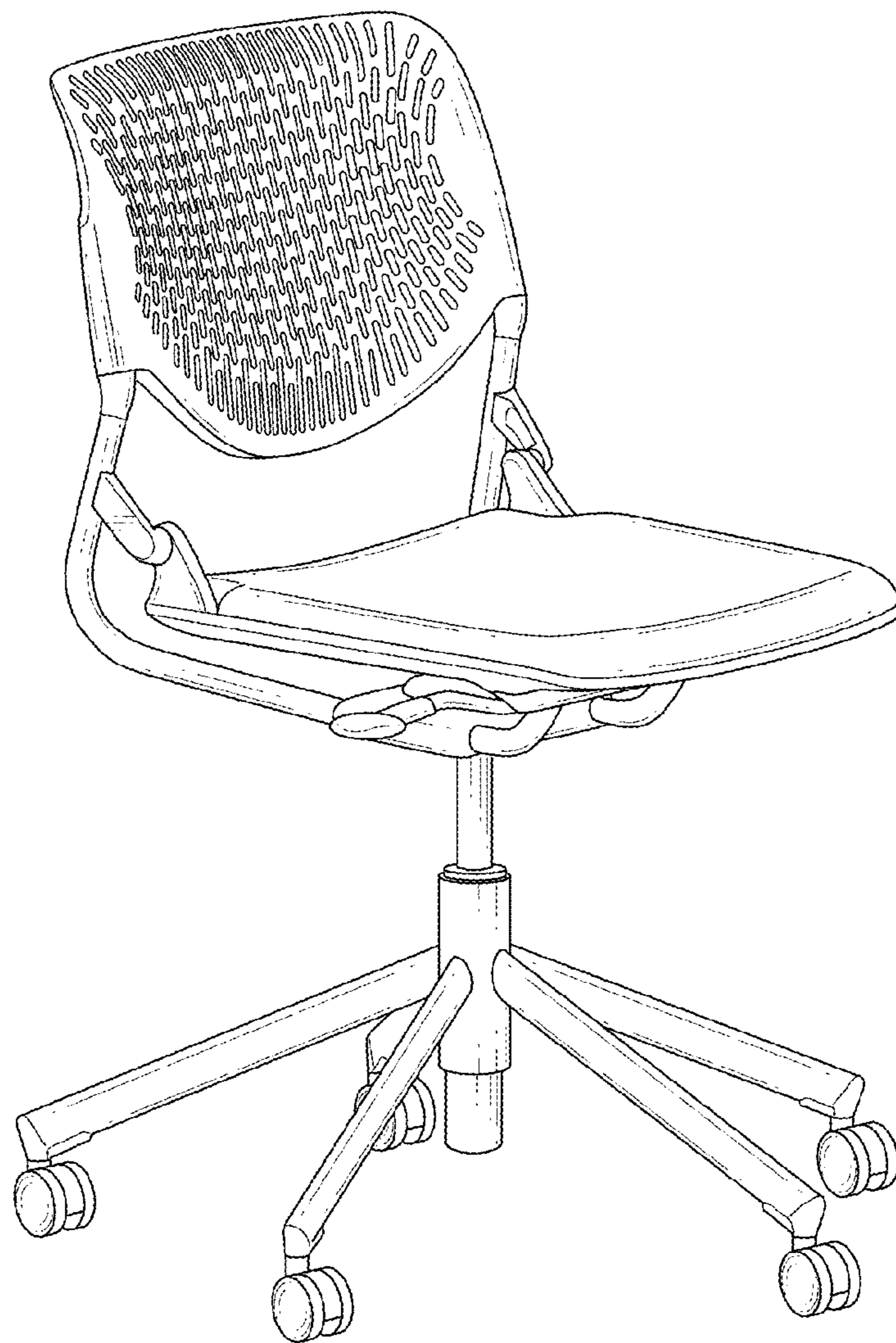


FIG. 2

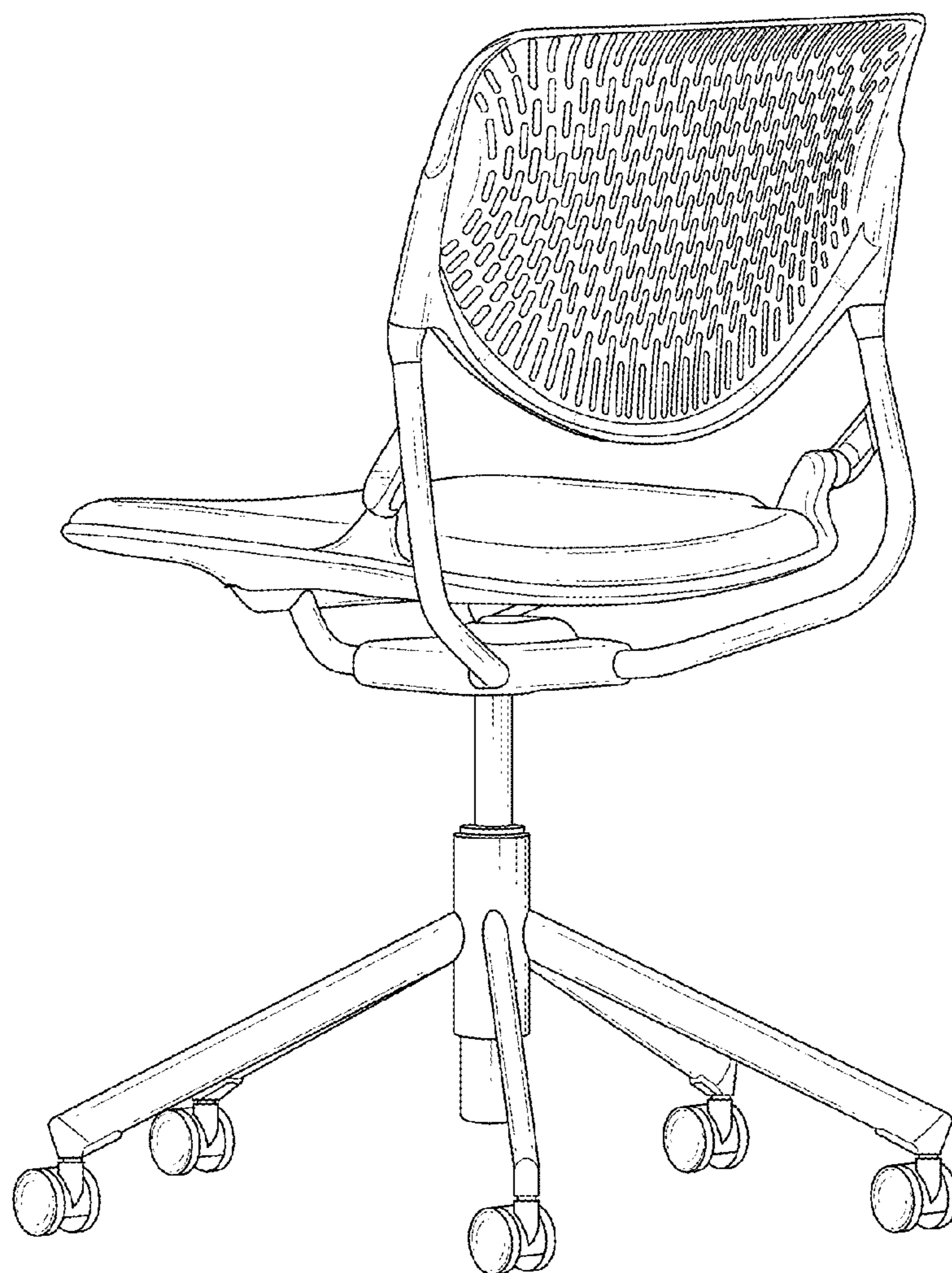




FIG. 3

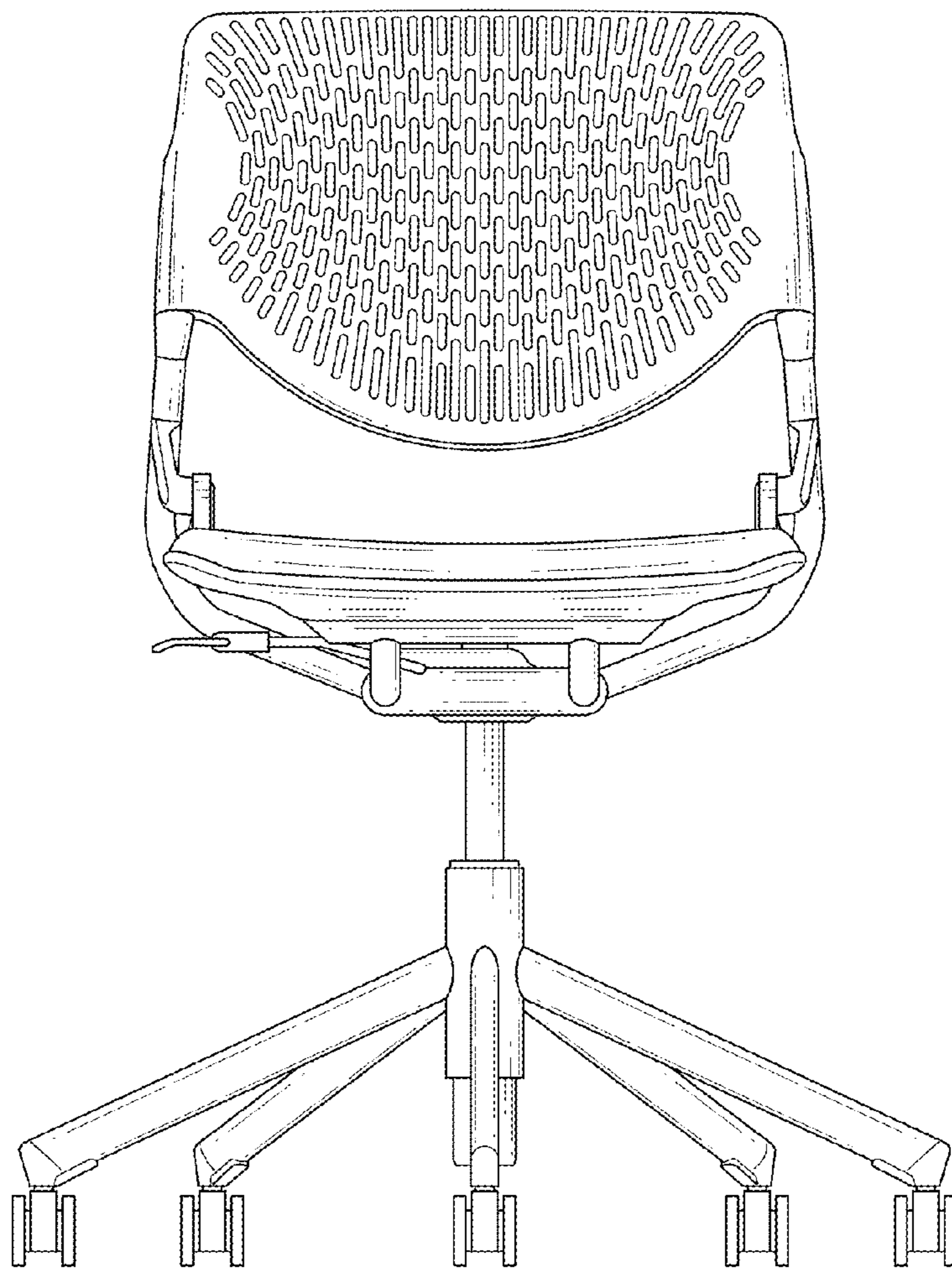


FIG. 4

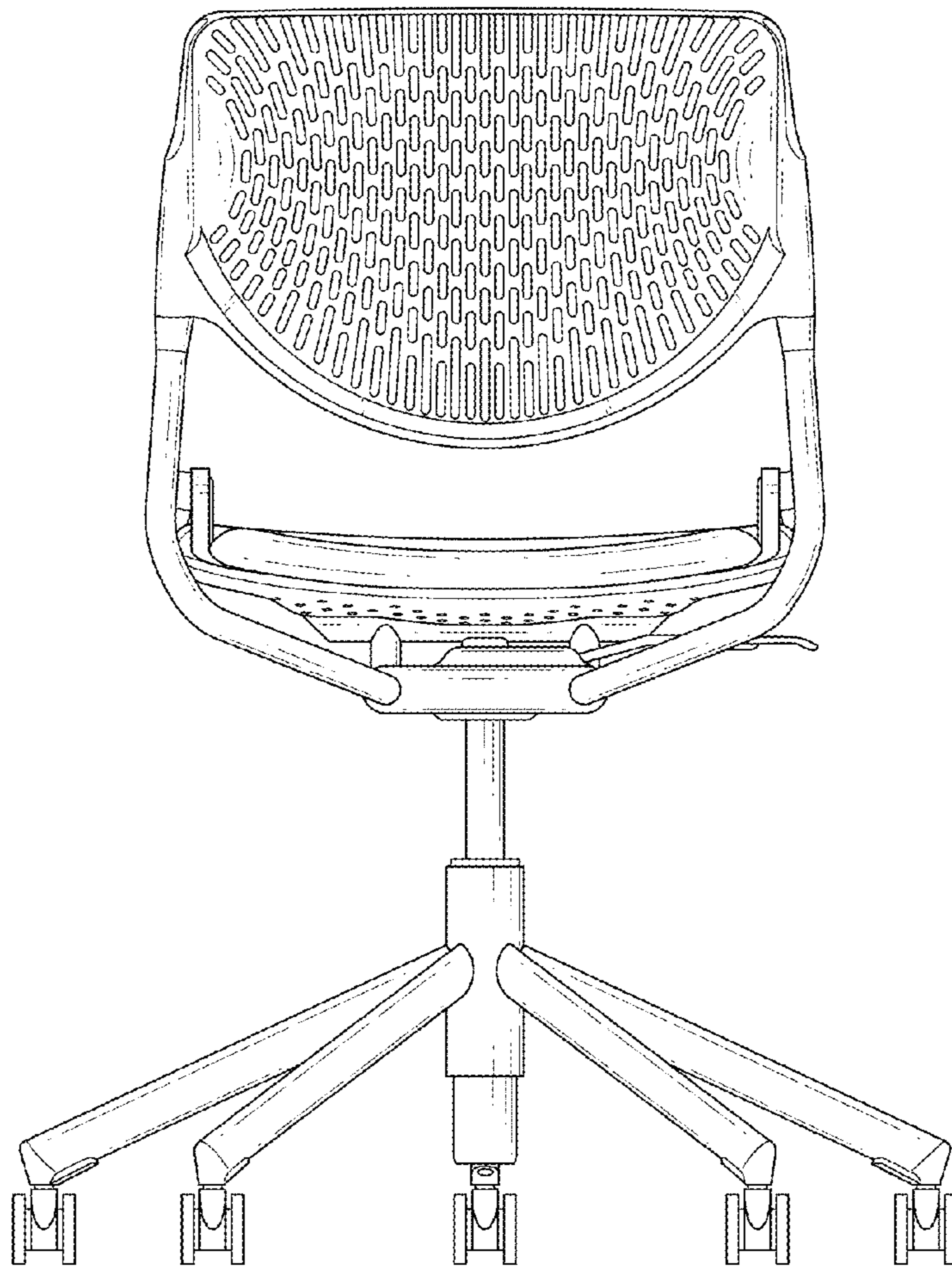


FIG. 5

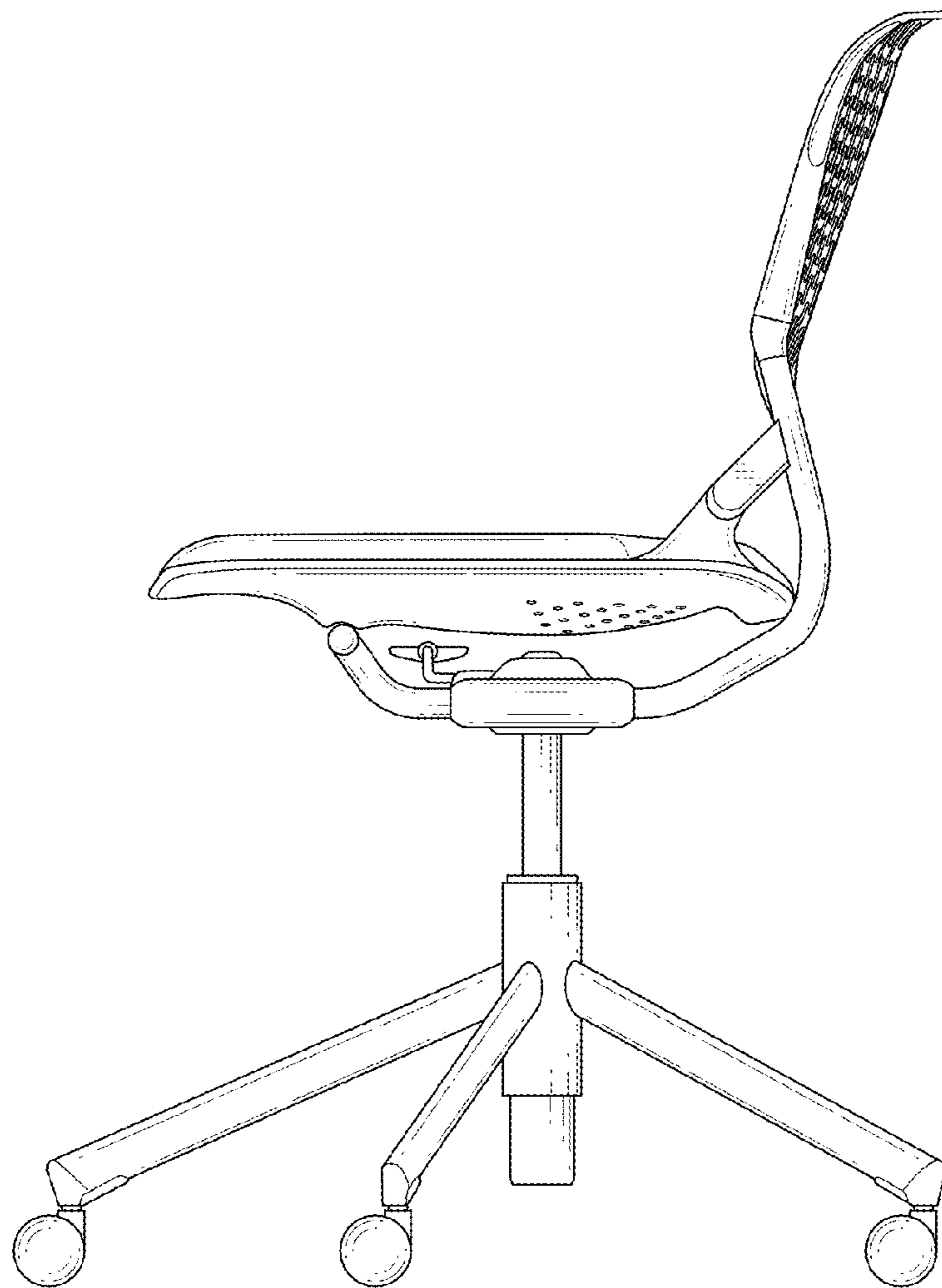


FIG. 6

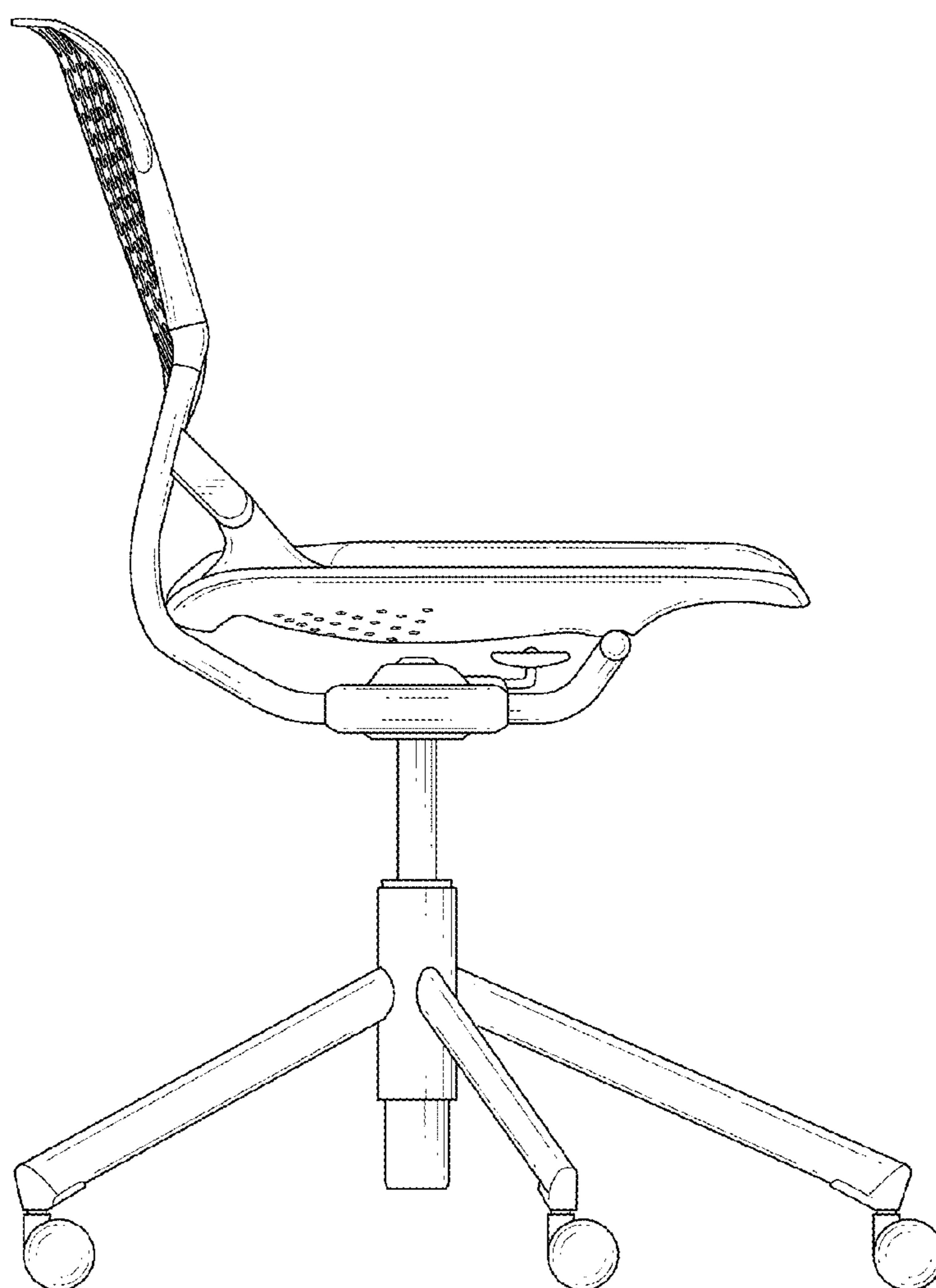


FIG. 7

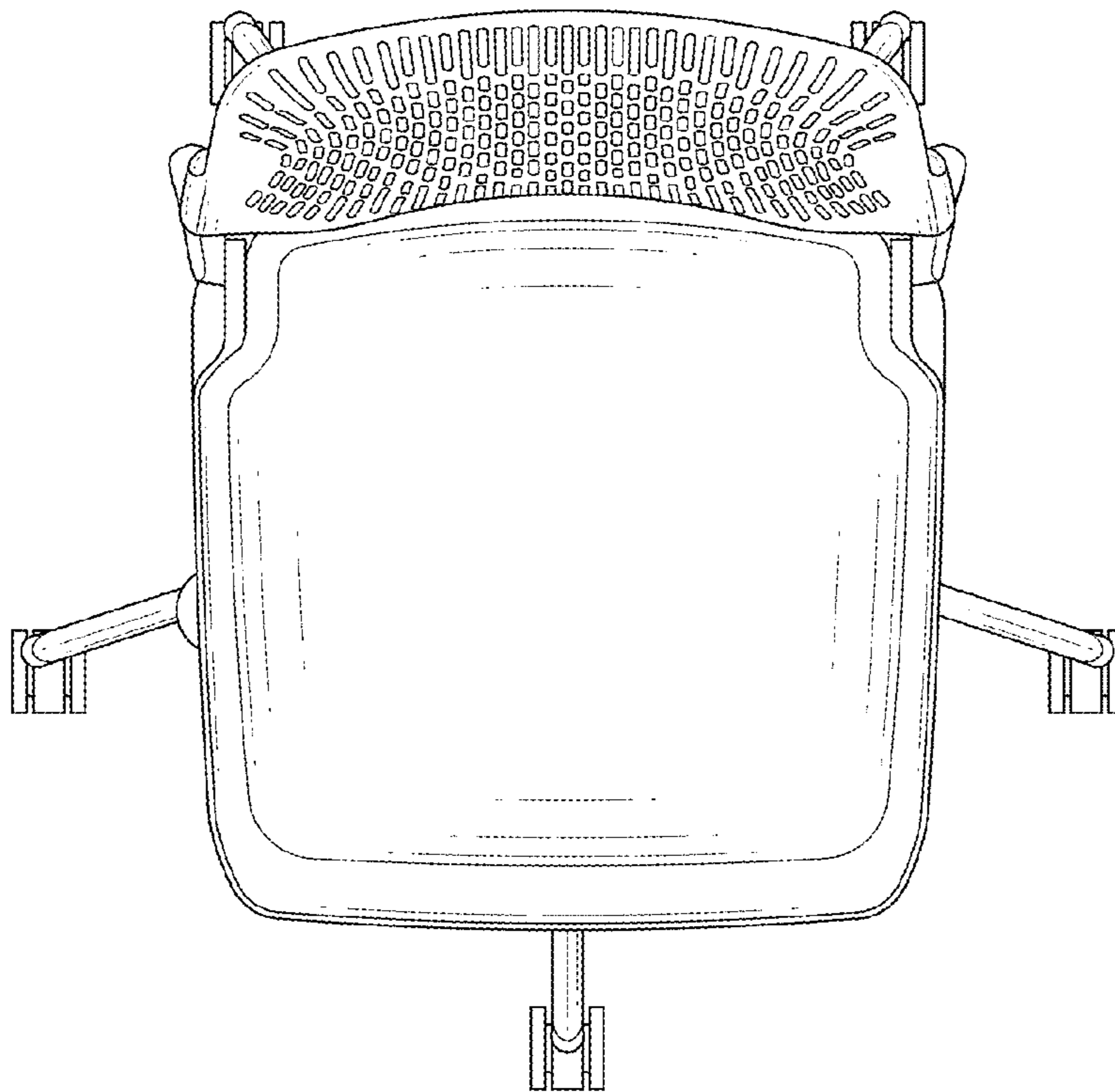




FIG. 8

