



US00D758082S

(12) **United States Design Patent**
Rockwell

(10) **Patent No.:** **US D758,082 S**
(45) **Date of Patent:** **** Jun. 7, 2016**

- (54) **ERGONOMIC PAINT ROLLER FRAME**
- (71) Applicant: **ZIBRA, LLC**, Mooresville, NC (US)
- (72) Inventor: **Christopher Rockwell**, Bellevue, WA (US)
- (73) Assignee: **ZIBRA, LLC**, Mooresville, NC (US)
- (**) Term: **15 Years**
- (21) Appl. No.: **29/529,606**
- (22) Filed: **Jun. 9, 2015**
- (51) **LOC (10) Cl.** **04-01**
- (52) **U.S. Cl.**
USPC **D4/122**
- (58) **Field of Classification Search**
USPC D4/122, 138; 15/27, 104.001, 104.002,
15/230.11; 492/13, 16-19
CPC B05C 1/00; B05C 1/02; B05C 17/0205;
B44D 2/00
See application file for complete search history.

- 8,225,448 B2 * 7/2012 Vasilakes A47L 25/005
15/104.002
- D677,903 S * 3/2013 Boukair D4/122
- D683,546 S * 6/2013 Woolfolk D4/122
- D695,018 S * 12/2013 Gallardo D4/122
- 8,819,886 B1 * 9/2014 Boukair B05C 17/0205
15/143.1
- D728,945 S * 5/2015 Neal D4/122
- D741,604 S * 10/2015 Typrowicz D4/122
- D743,701 S * 11/2015 Arvinte D4/122

* cited by examiner

Primary Examiner — Austin Murphy

(74) *Attorney, Agent, or Firm* — Tillman Wright, PLLC;
Chad D. Tillman; Jeremy C. Doerre

(57) **CLAIM**

The ornamental design for an ergonomic paint roller frame, as shown and described.

DESCRIPTION

FIG. 1 is a perspective front view of an ergonomic paint roller frame in accordance with an embodiment of the present invention.

FIG. 2 is a perspective back view of the ergonomic paint roller frame of FIG. 1.

FIG. 3 is a perspective right side view of the ergonomic paint roller frame of FIG. 1.

FIG. 4 is a perspective left side view of the ergonomic paint roller frame of FIG. 1.

FIG. 5 is a perspective top view of the ergonomic paint roller frame of FIG. 1.

FIG. 6 is a perspective bottom view of the ergonomic paint roller frame of FIG. 1; and,

FIG. 7 is a perspective view of the ergonomic paint roller frame of FIG. 1.

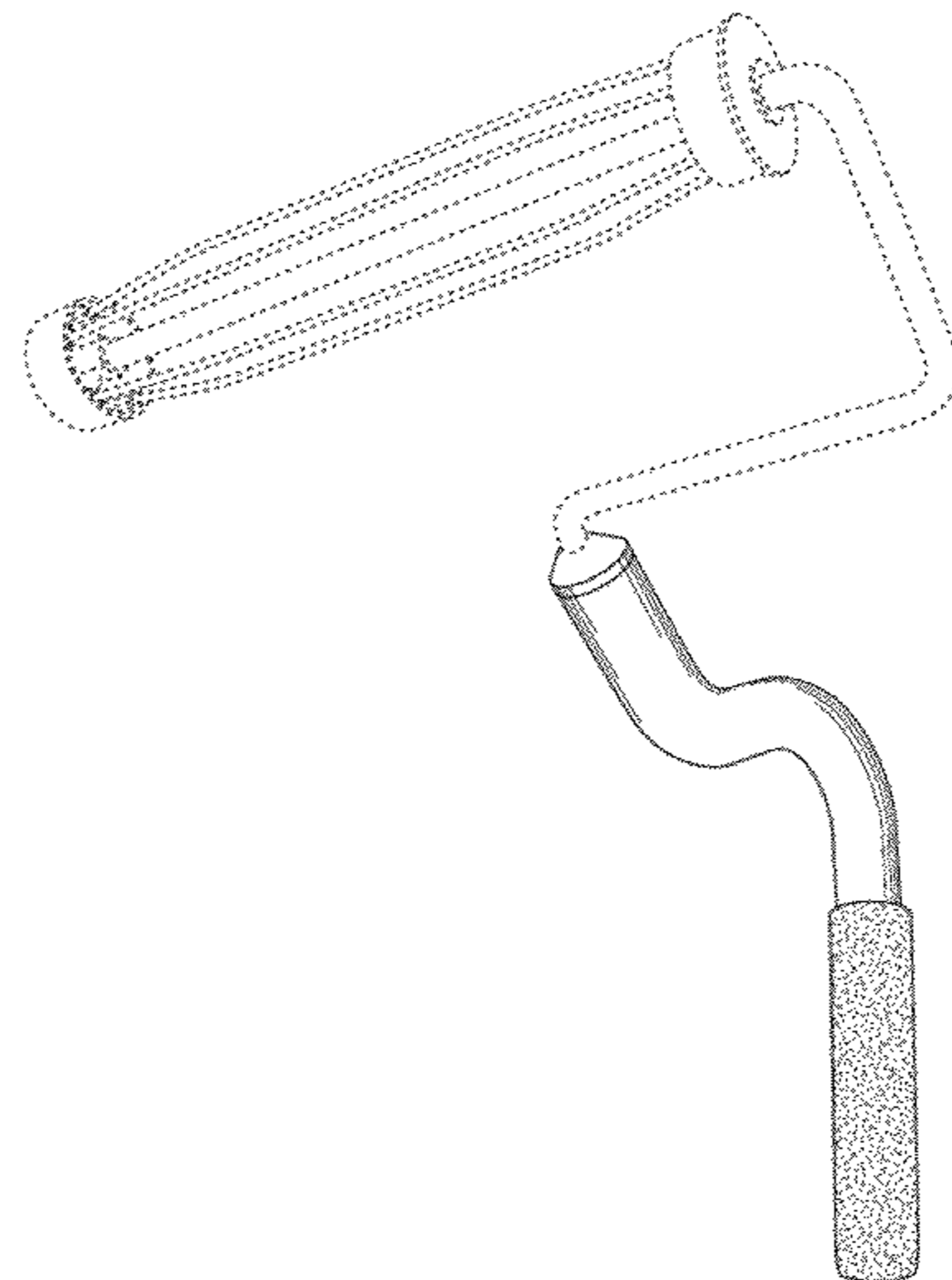
Any broken lines shown in the drawings form no part of the design for which protection is claimed herein.

1 Claim, 7 Drawing Sheets

(56) **References Cited**

U.S. PATENT DOCUMENTS

D279,254 S	6/1985	Smith et al.	
D315,033 S *	2/1991	Carugati	D28/7
D345,058 S	3/1994	Merritt	
D367,963 S	3/1996	Mayer	
D398,106 S *	9/1998	Diehl	D32/35
D417,381 S	12/1999	Bhatti	
6,256,828 B1 *	7/2001	Sauer	B05C 17/02 15/143.1
D463,134 S *	9/2002	Vosbikian	D4/122
D465,090 S *	11/2002	Robinson	D4/122
D466,699 S	12/2002	Vaes	
D475,203 S	6/2003	Vaes	
D475,535 S	6/2003	Vaes	
D562,559 S *	2/2008	Murray	D4/102
D578,769 S *	10/2008	Patterson	D4/122



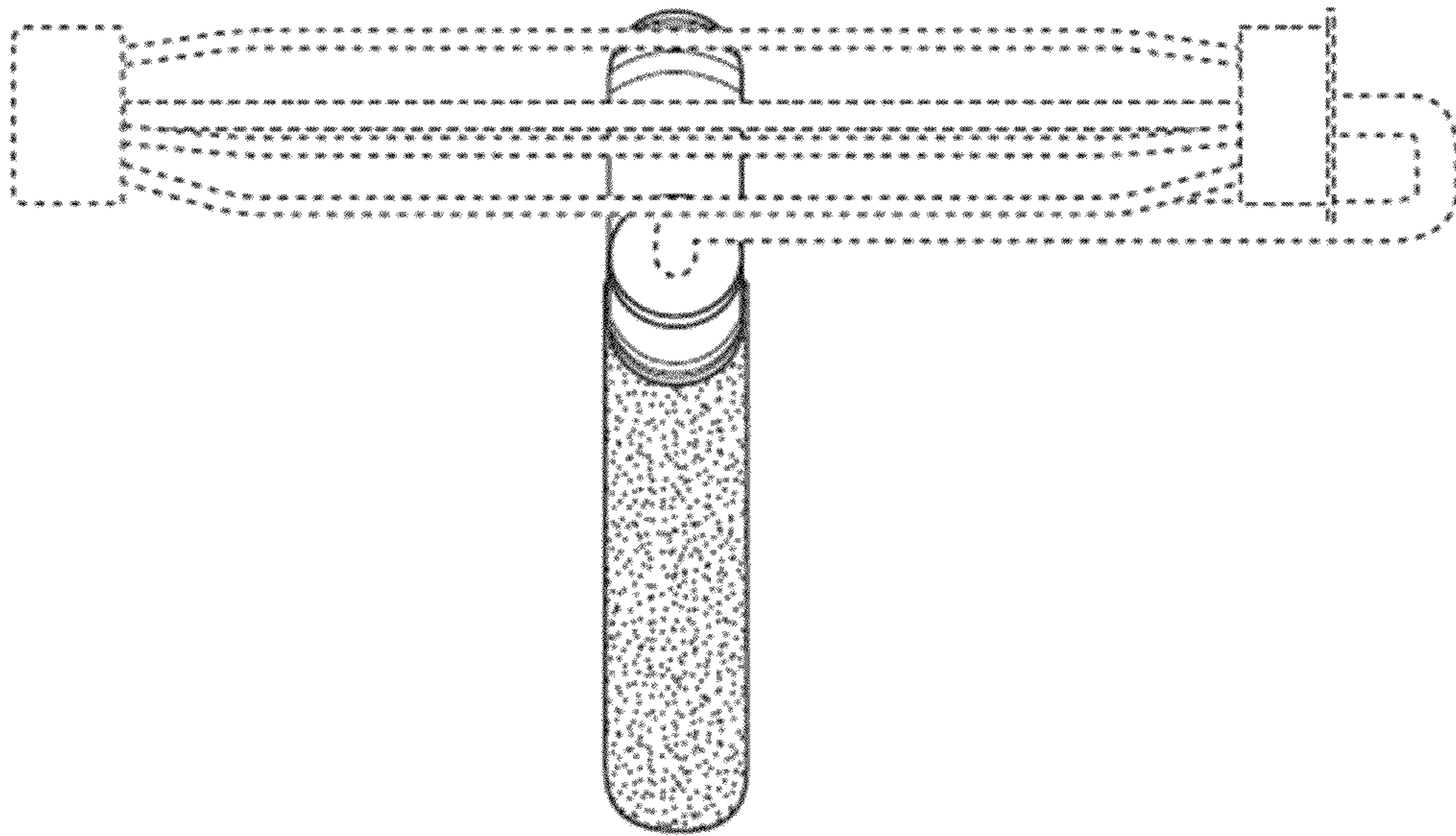


FIG. 1

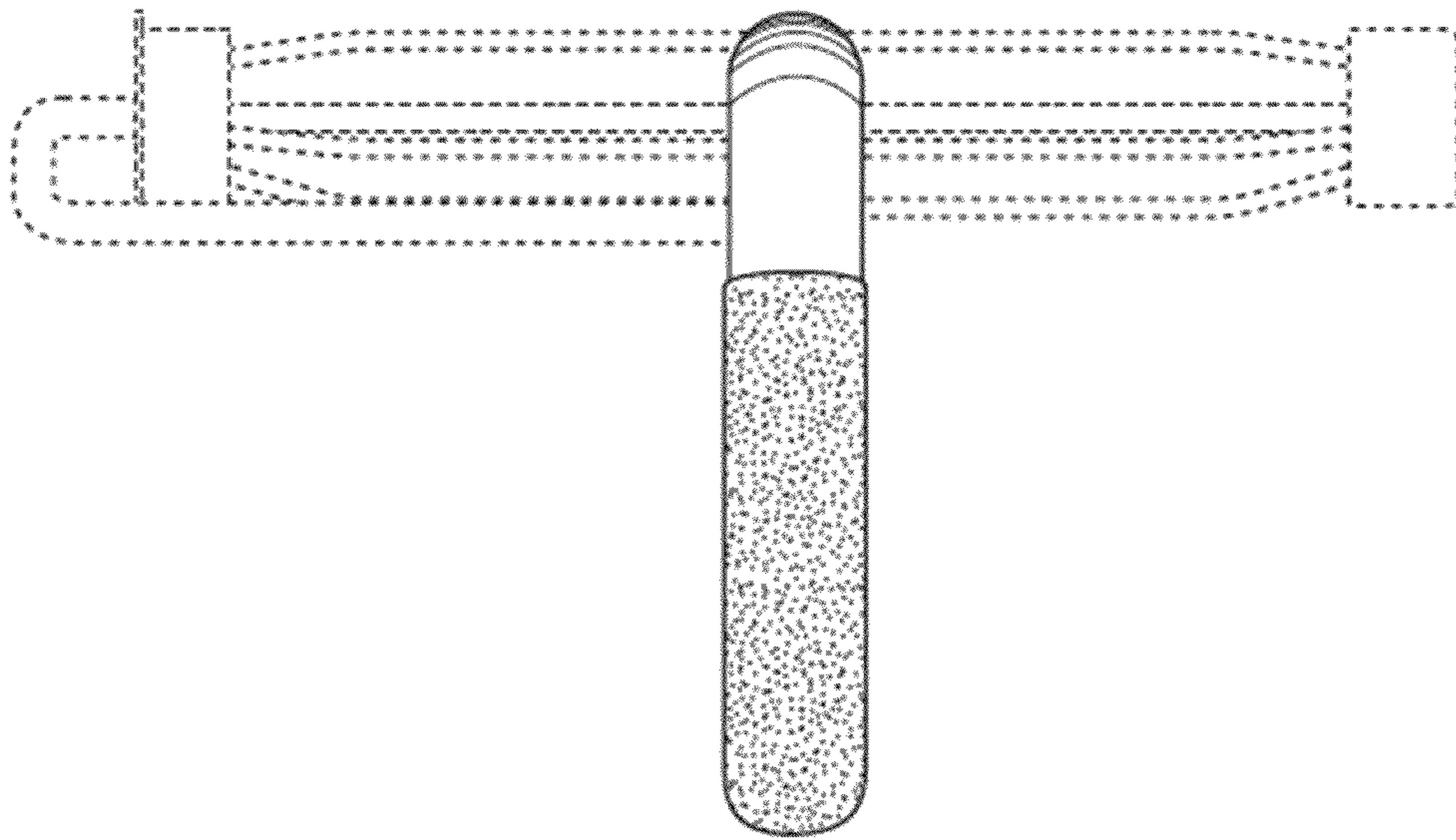


FIG. 2

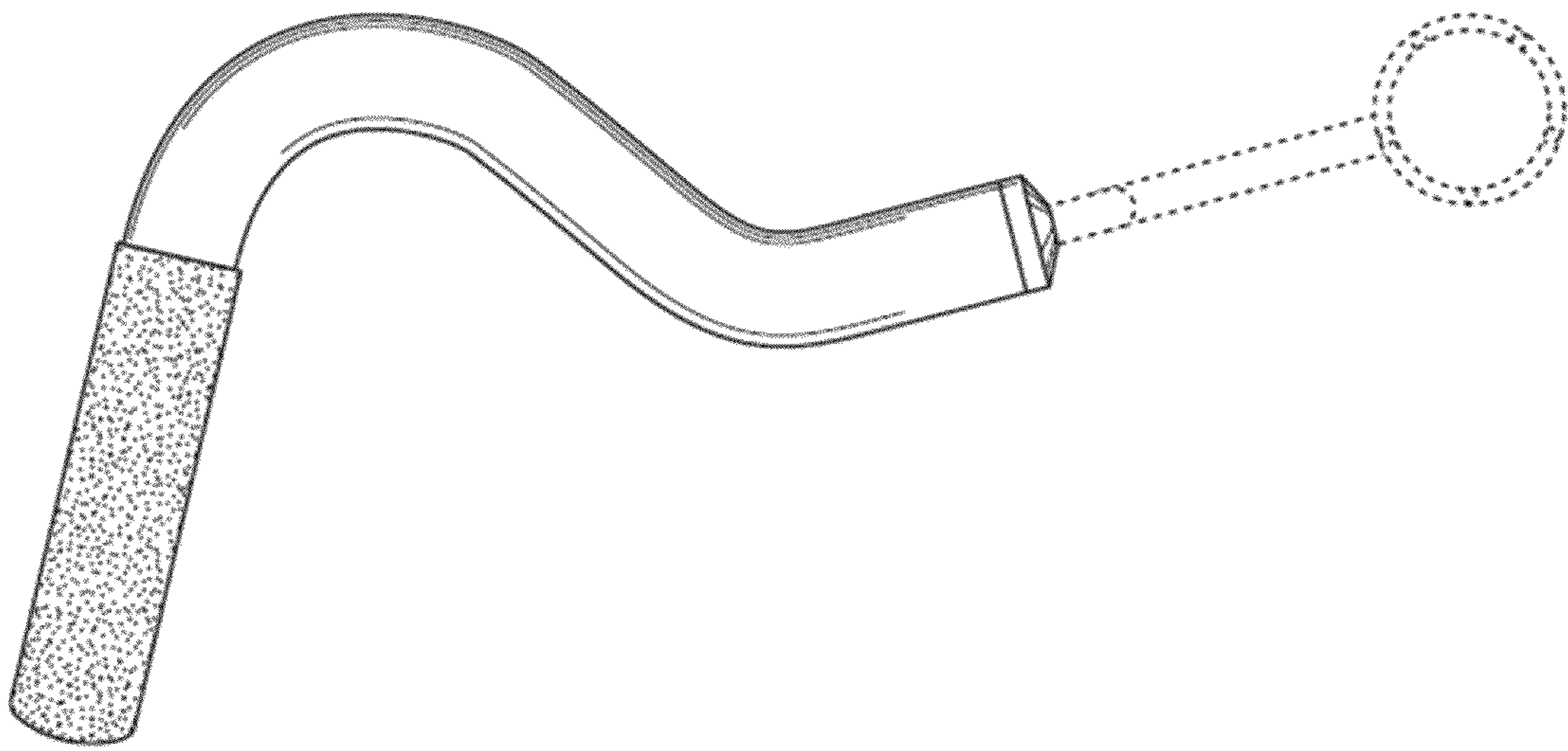


FIG. 3

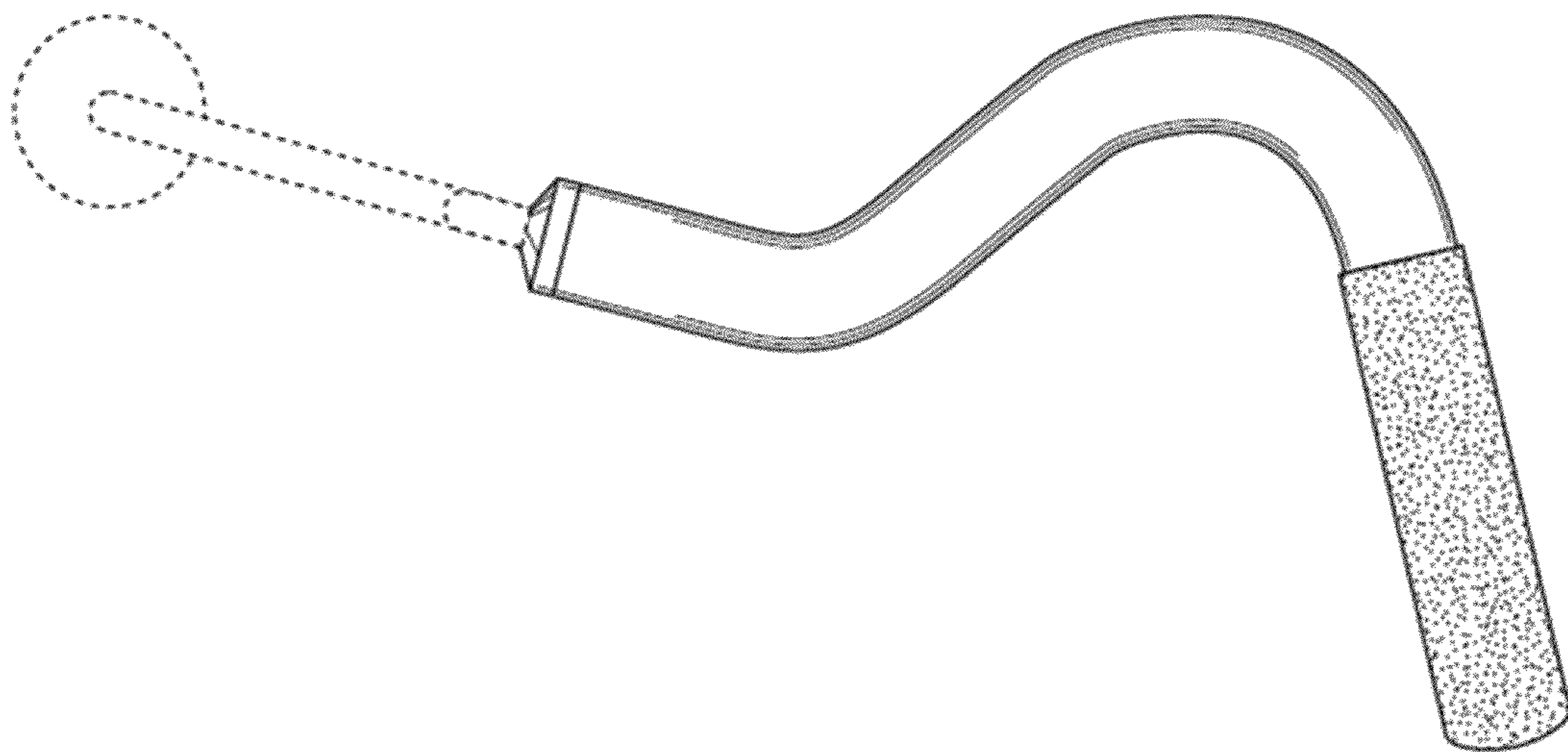


FIG. 4

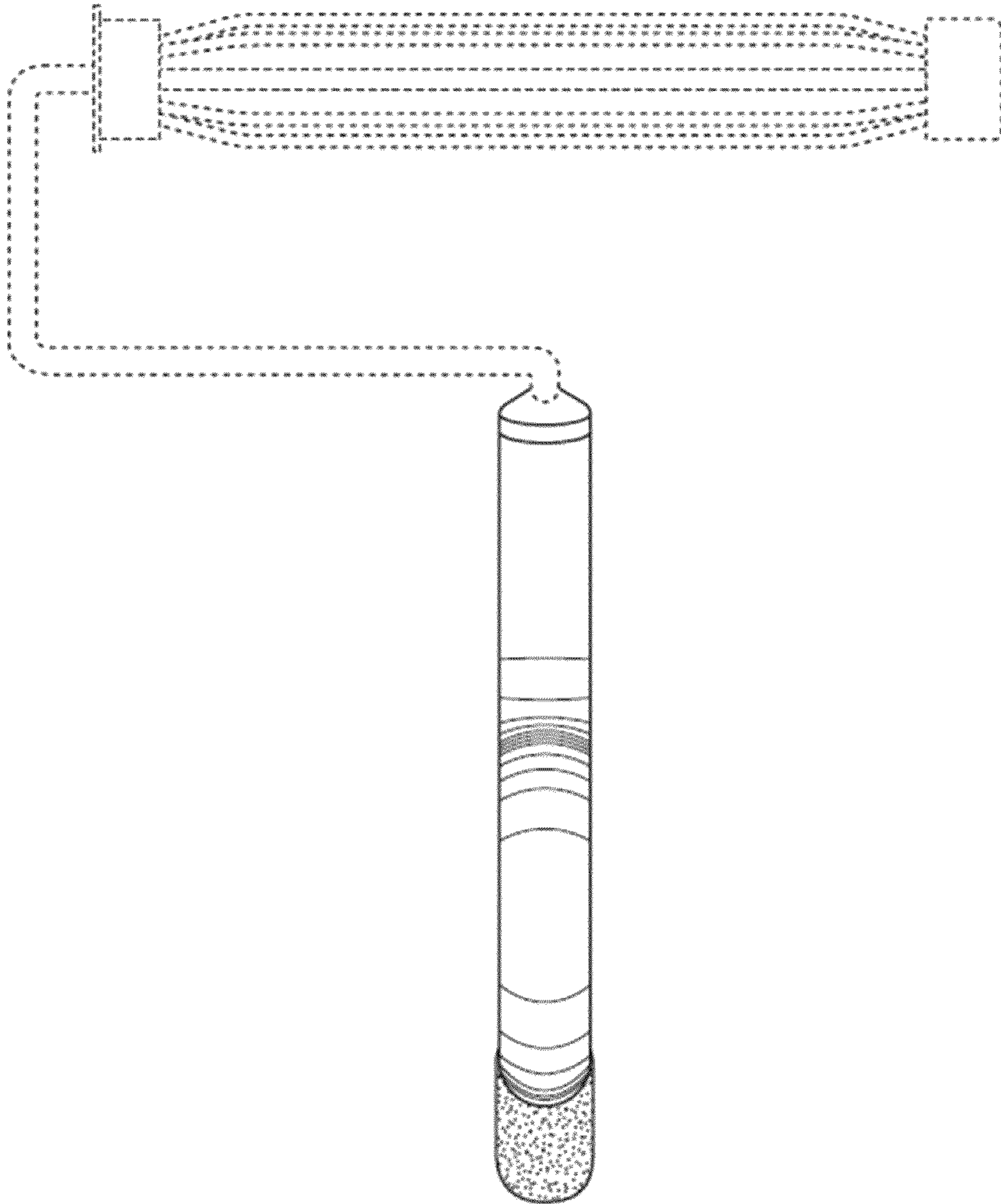


FIG. 5

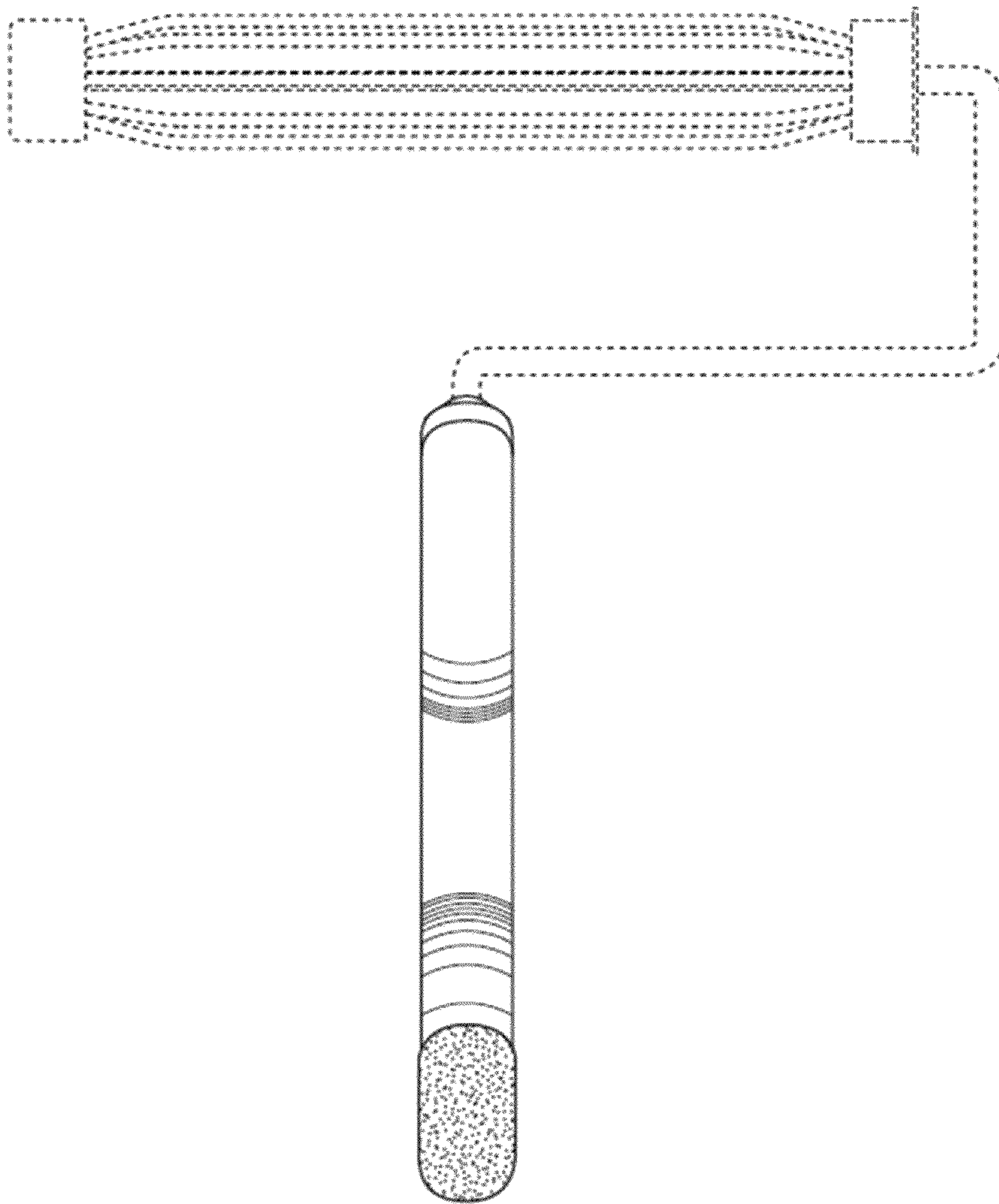


FIG. 6

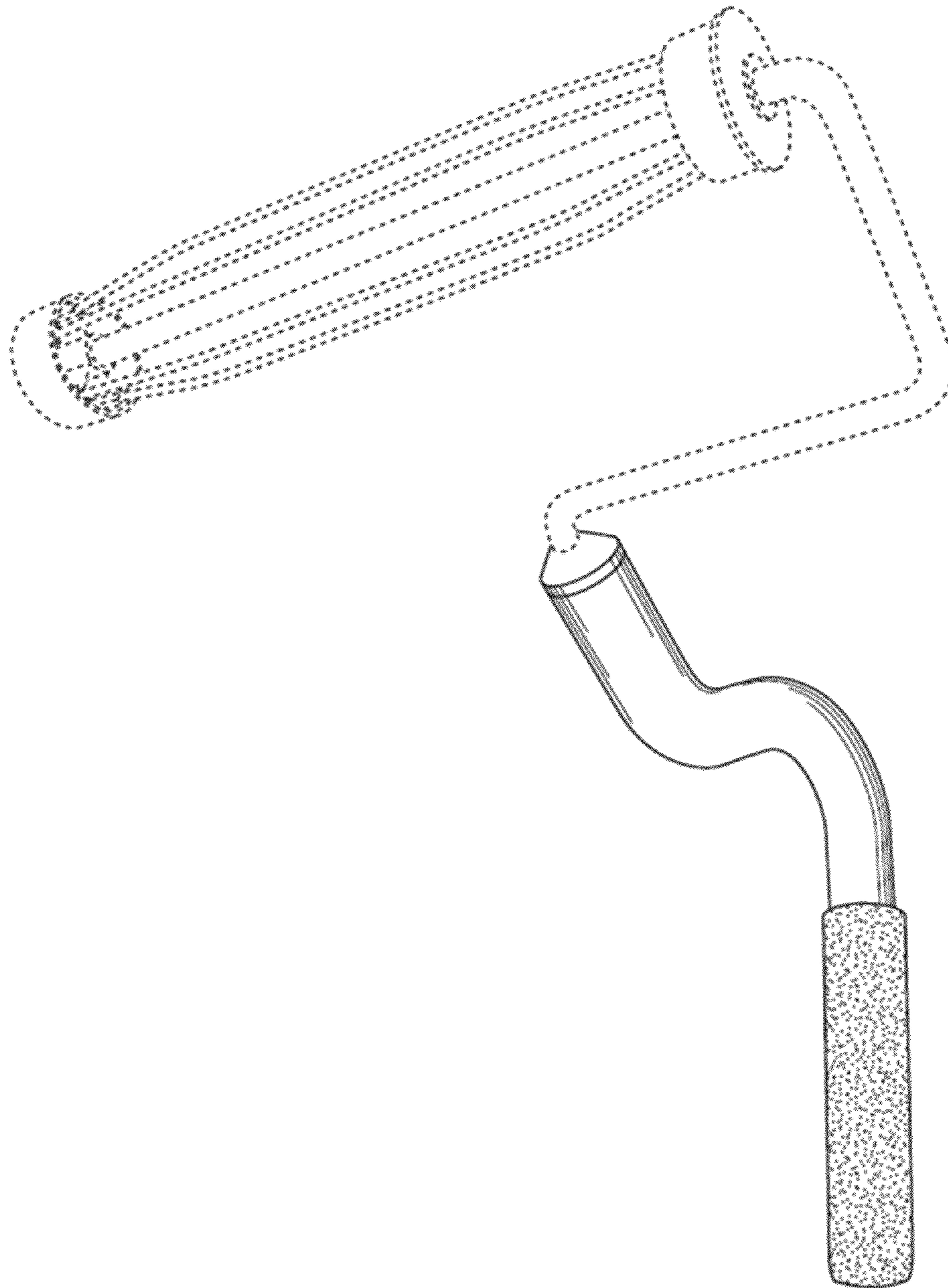


FIG. 7