

US00D758077S

(12) **United States Design Patent**
Kinskey

(10) **Patent No.:** **US D758,077 S**
(45) **Date of Patent:** **** Jun. 7, 2016**

- (54) **TOOL POUCH SKID GUARD**
- (71) Applicant: **LF Centennial Ltd.**, Road Town, Tortola (VG)
- (72) Inventor: **Terrence P. Kinskey**, Alpharetta, GA (US)
- (73) Assignee: **L.F. CENTENNIAL LTD.**, Road Town, Tortola (VG)
- (**) Term: **14 Years**
- (21) Appl. No.: **29/508,377**
- (22) Filed: **Nov. 5, 2014**
- (51) **LOC (10) Cl.** **03-01**
- (52) **U.S. Cl.**
USPC **D3/318**
- (58) **Field of Classification Search**
USPC D3/201, 272, 273, 315, 318, 319, 322;
D9/434, 654, 679, 717, 718;
150/101-105, 154, 159
CPC A45F 3/04; A45F 3/042; A45F 5/02;
A45F 5/021; A45C 5/02; A45C 5/04; A45C
5/14; A45C 11/00; A45C 2005/142; A45C
13/002
See application file for complete search history.

D455,554 S *	4/2002	Chen	D3/322
D455,555 S *	4/2002	Chen	D3/322
D455,903 S *	4/2002	Chen	D3/322
D455,904 S *	4/2002	Chen	D3/322
D459,891 S *	7/2002	Chen	D3/322
D468,103 S *	1/2003	Chen	D3/322
D473,380 S *	4/2003	Chen	D3/322
D474,606 S *	5/2003	Chen	D3/322
D474,607 S *	5/2003	Chen	D3/322
D483,566 S *	12/2003	Chen	D3/322
D483,567 S *	12/2003	Chen	D3/322
D647,301 S *	10/2011	Sosnovsky	D3/283
D648,533 S *	11/2011	Sosnovsky	D3/283
D670,500 S *	11/2012	Sosnovsky	D3/304
D737,574 S *	9/2015	Reinhart	D3/318
2015/0237992 A1 *	8/2015	Kinskey	A45F 3/005 224/681
2015/0238001 A1 *	8/2015	Kinskey	A45F 5/021 224/681

* cited by examiner

Primary Examiner — Rosemary K Tarcza
Assistant Examiner — Christy Nemeth
(74) *Attorney, Agent, or Firm* — Duane Morris LLP; J. Rodman Steele, Jr.; Gregory M. Lefkowitz

(57) **CLAIM**
The ornamental design for a tool pouch skid guard, as shown and described.

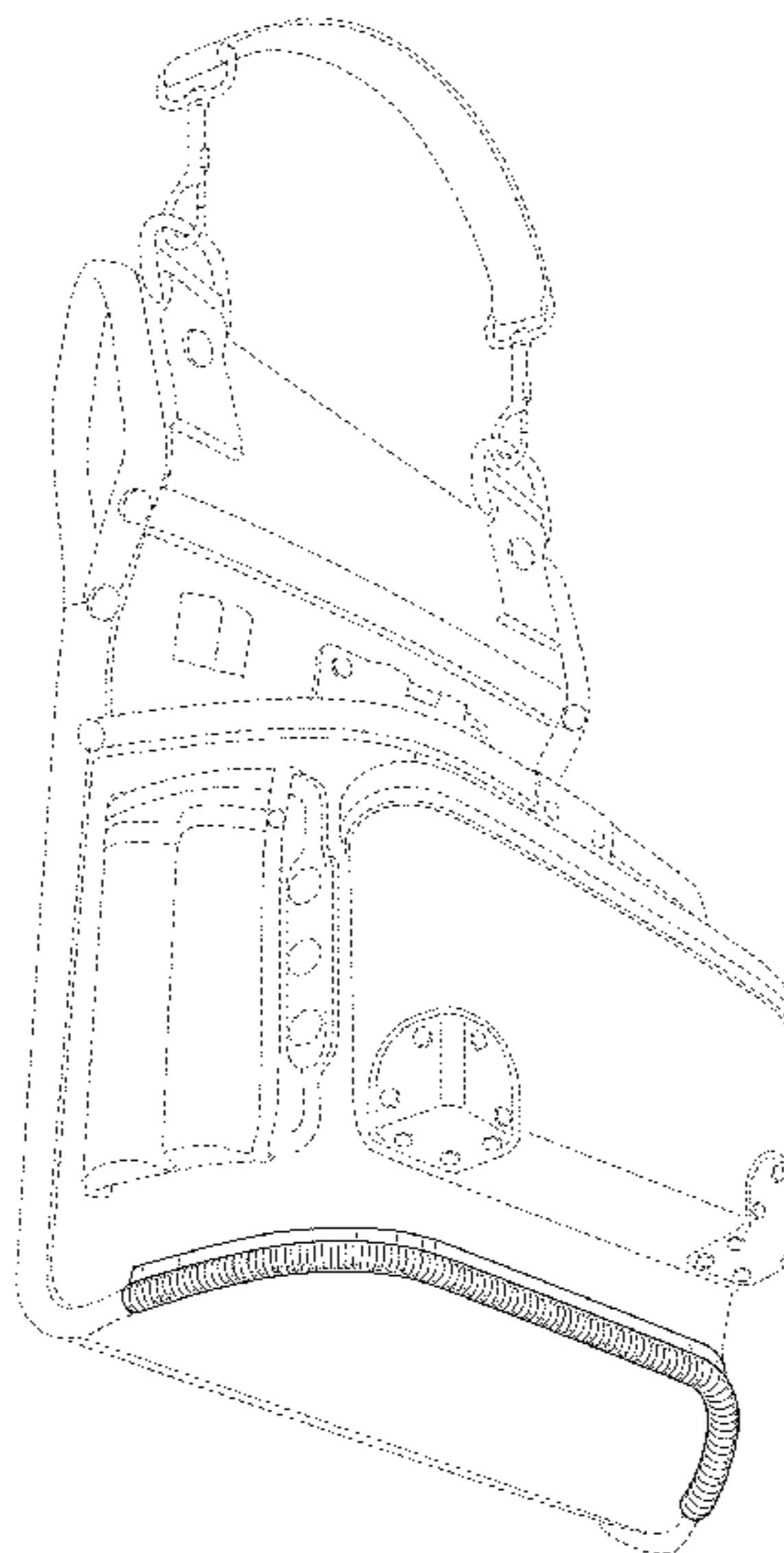
DESCRIPTION

FIG. 1 is a front perspective view of the tool pouch skid guard; FIG. 2 is a front view thereof; FIG. 3 is a left side view thereof; FIG. 4 is a right side view thereof; FIG. 5 is a back view thereof; FIG. 6 is a top view thereof; and, FIG. 7 is a bottom view thereof. The broken lines are included for purposes of illustrating environment and form no part of the claimed design.

1 Claim, 6 Drawing Sheets

(56) **References Cited**
U.S. PATENT DOCUMENTS

5,676,295 A *	10/1997	Gelb	A45F 3/04 224/628
D454,693 S *	3/2002	Chen	D3/322
D454,694 S *	3/2002	Chen	D3/322
D455,008 S *	4/2002	Chen	D3/322
D455,267 S *	4/2002	Chen	D3/322
D455,268 S *	4/2002	Chen	D3/322
D455,269 S *	4/2002	Chen	D3/322
D455,553 S *	4/2002	Chen	D3/322



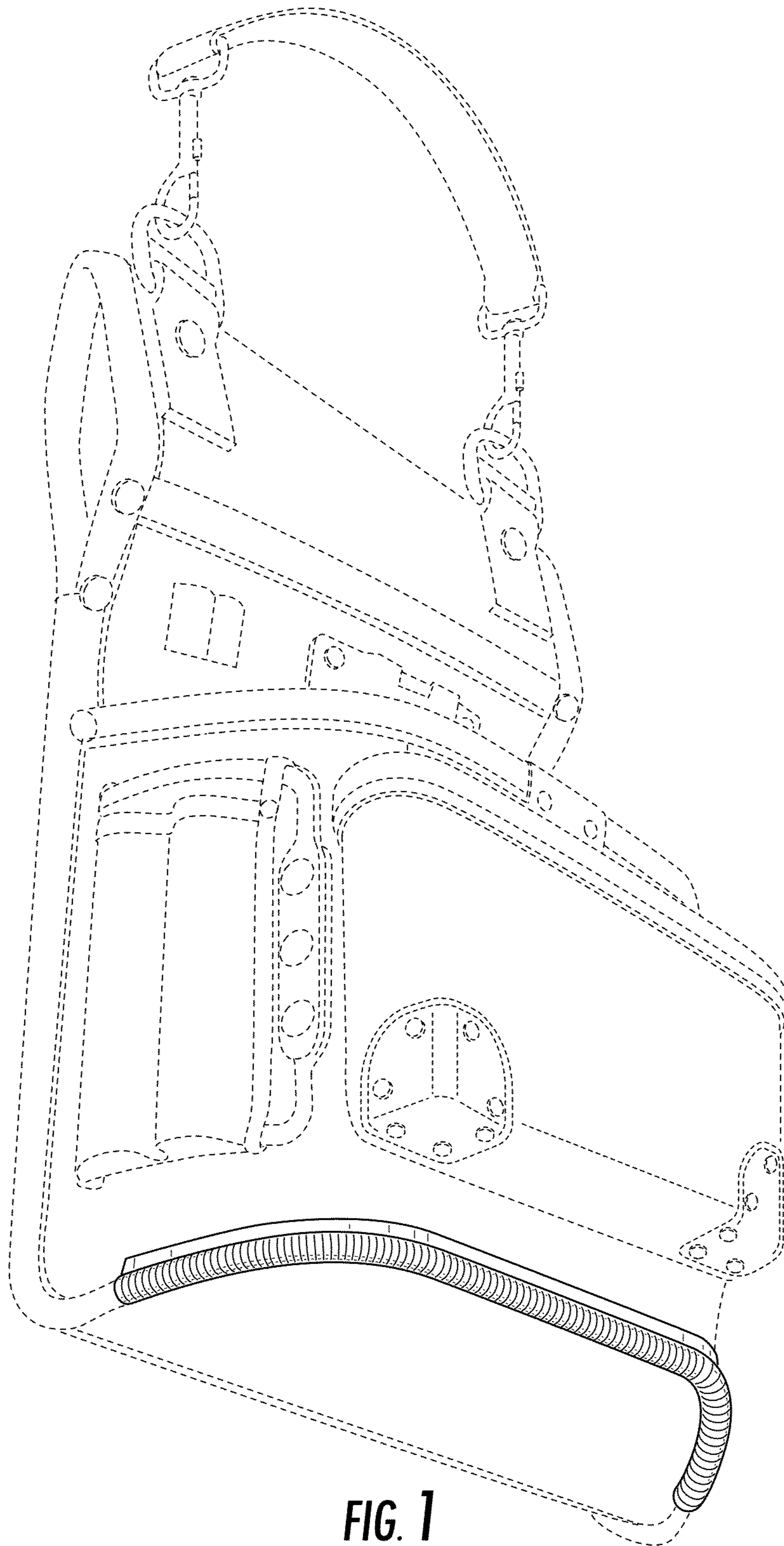


FIG. 1

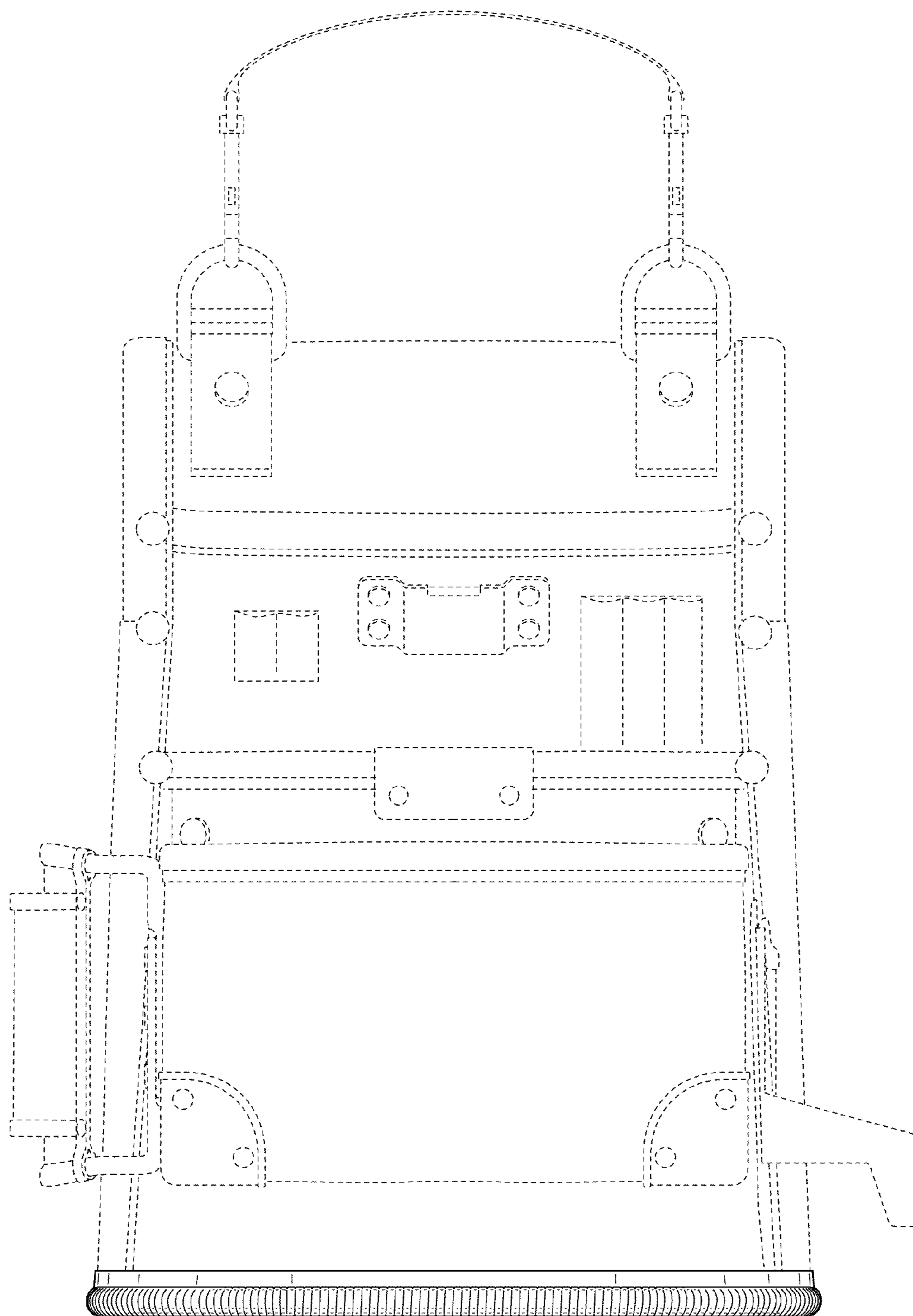
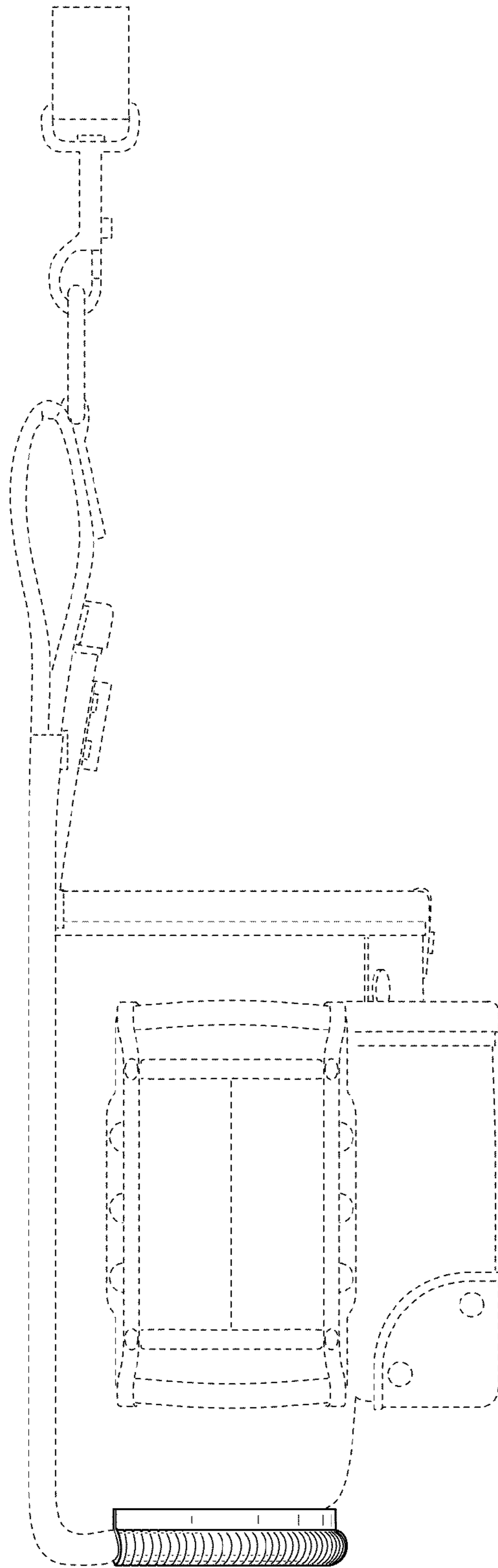


FIG. 2

FIG. 3



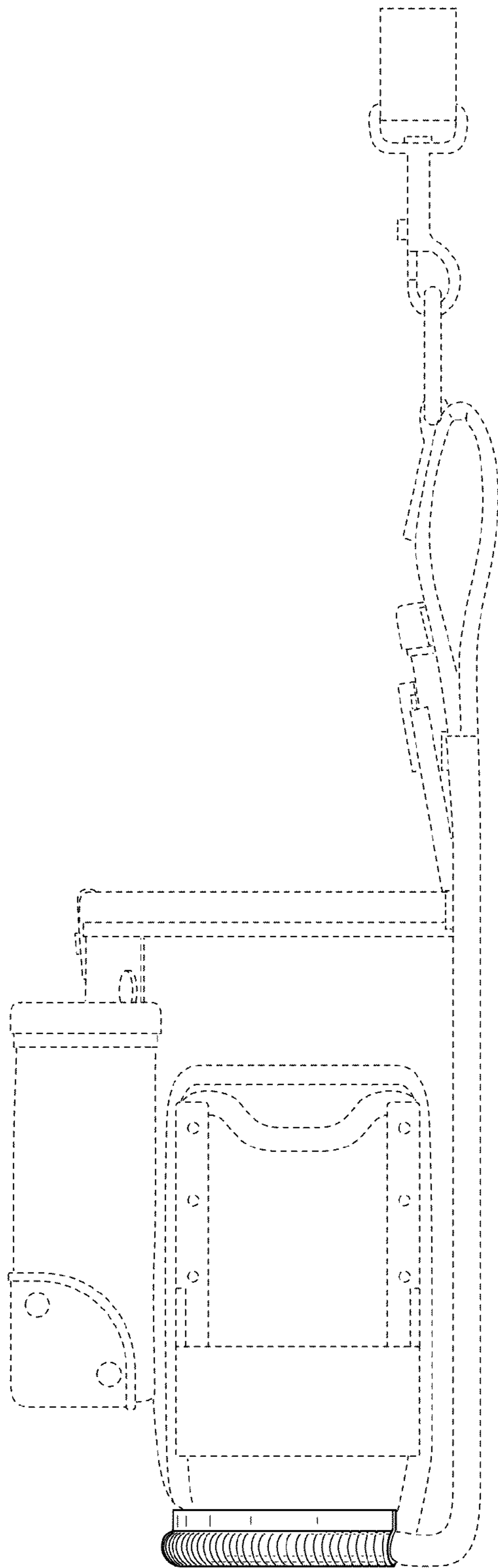


FIG. 4

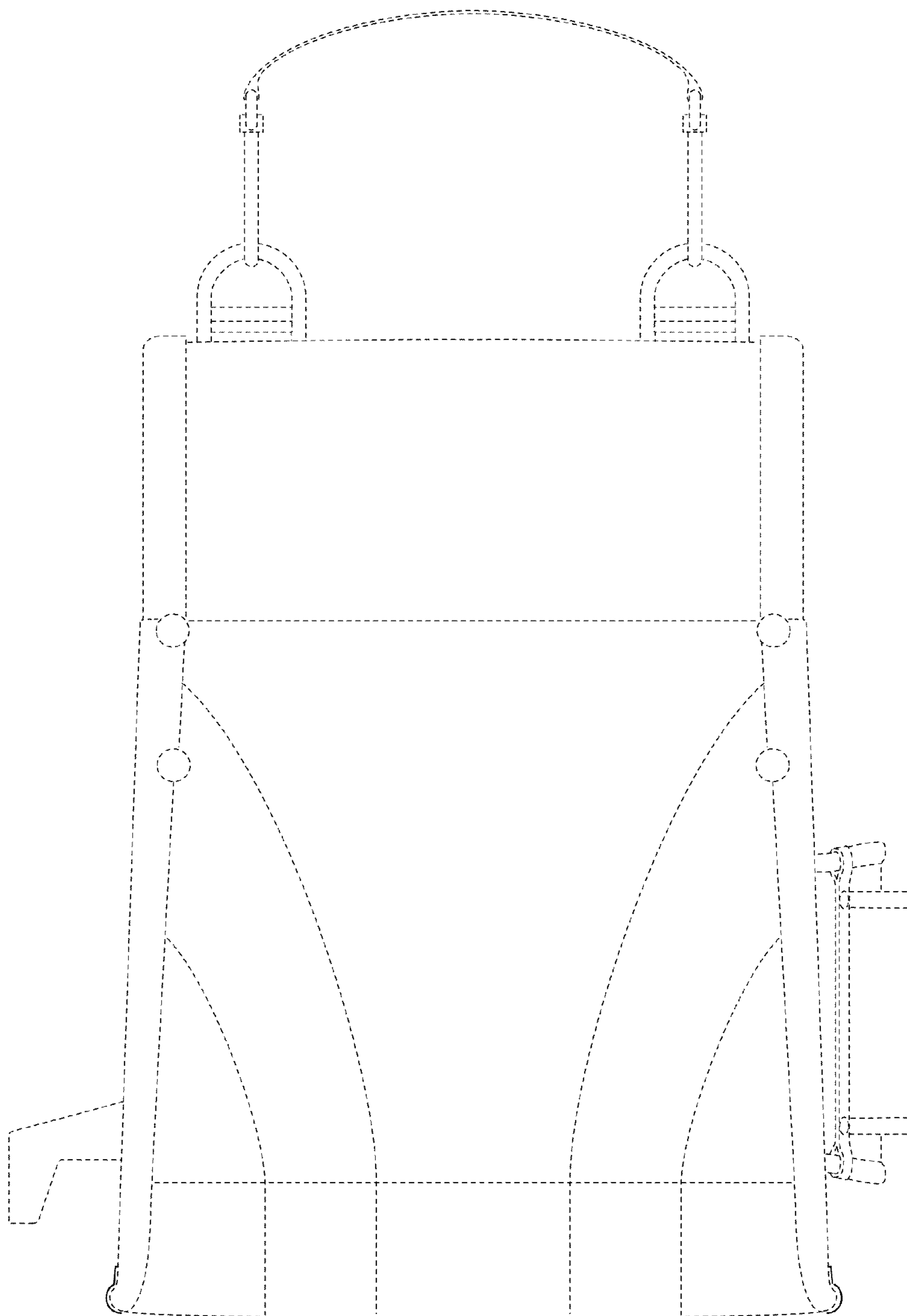


FIG. 5

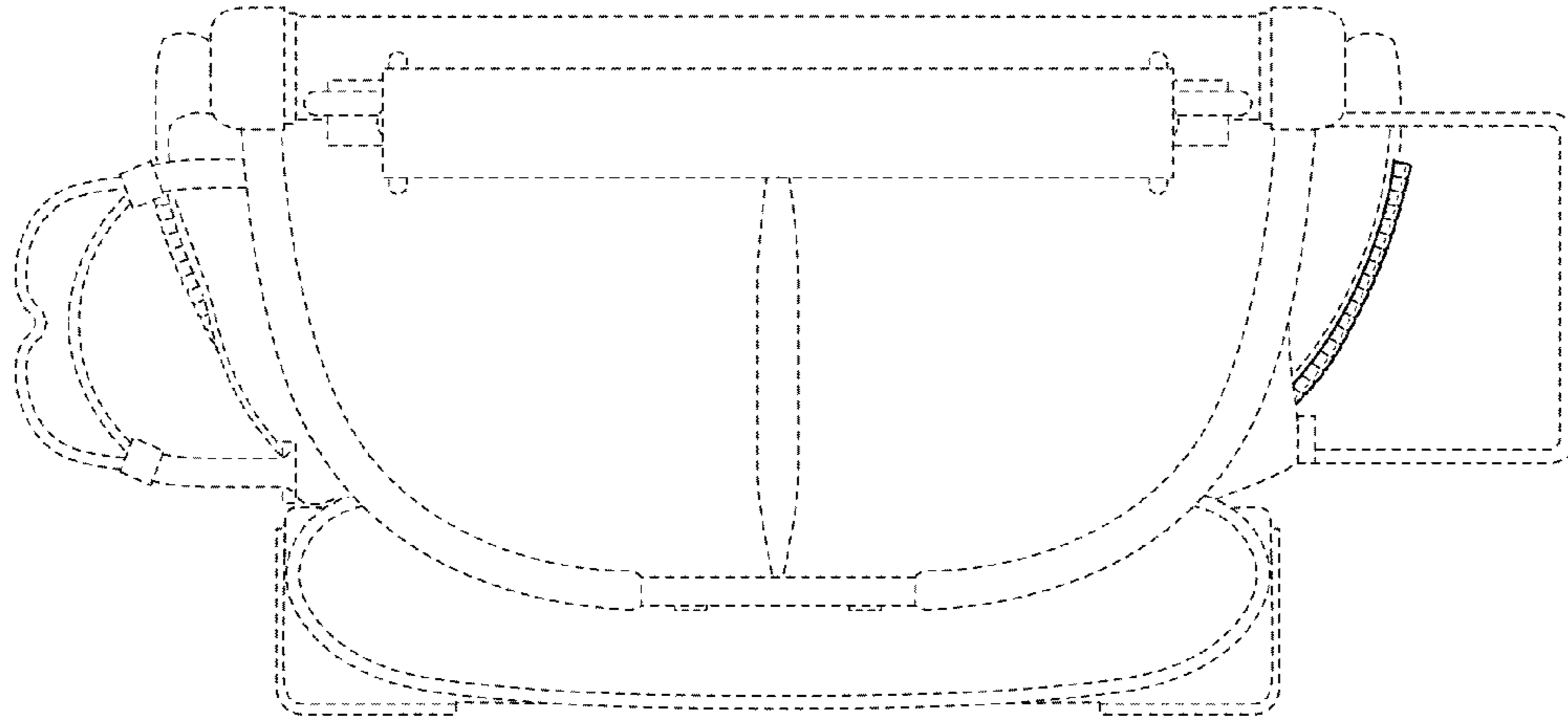


FIG. 6

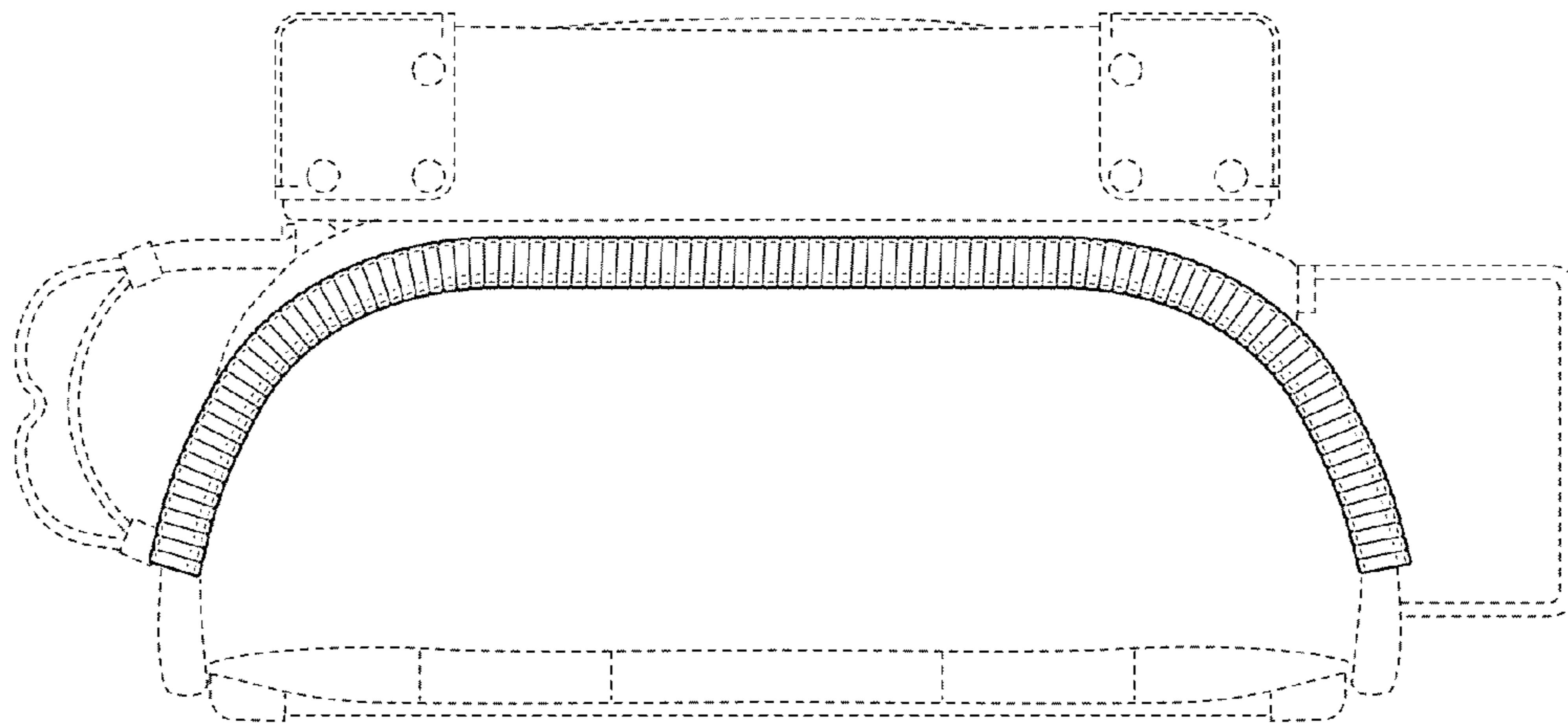


FIG. 7