



US00D758076S

(12) **United States Design Patent**
Boer

(10) **Patent No.:** **US D758,076 S**
(45) **Date of Patent:** **** Jun. 7, 2016**

(54) **COMBINED CASE AND FRAME**
(71) Applicant: **Jaap den Boer**, Amsterdam (NL)
(72) Inventor: **Jaap den Boer**, Amsterdam (NL)
(73) Assignee: **Royalty Bugaboo GmbH**, Zug (CH)
(**) Term: **14 Years**
(21) Appl. No.: **29/439,491**

(22) Filed: **Dec. 11, 2012**
(51) **LOC (10) Cl.** **03-01**
(52) **U.S. Cl.**
USPC **D3/279**; D3/274; D3/902
(58) **Field of Classification Search**
USPC D3/272, 276, 278, 279, 273, 274, 281,
D3/289, 321; 190/100–127, 903, 37, 39,
190/18 A, 1, 15.1, 19–40; D34/12, 14
See application file for complete search history.

(56) **References Cited**

U.S. PATENT DOCUMENTS

D479,651 S *	9/2003	Shen	D3/279
2004/0129520 A1 *	7/2004	Wolters et al.	190/18 A
2010/0163358 A1 *	7/2010	Tsai et al.	190/18 A
2010/0175960 A1 *	7/2010	Moskowitz et al.	190/11
2010/0263977 A1 *	10/2010	Wu	190/18 A
2011/0155527 A1 *	6/2011	Veal et al.	190/18 A
2011/0168507 A1 *	7/2011	Penley et al.	190/18 A

2012/0090934 A1* 4/2012 Keir 190/18 A
* cited by examiner

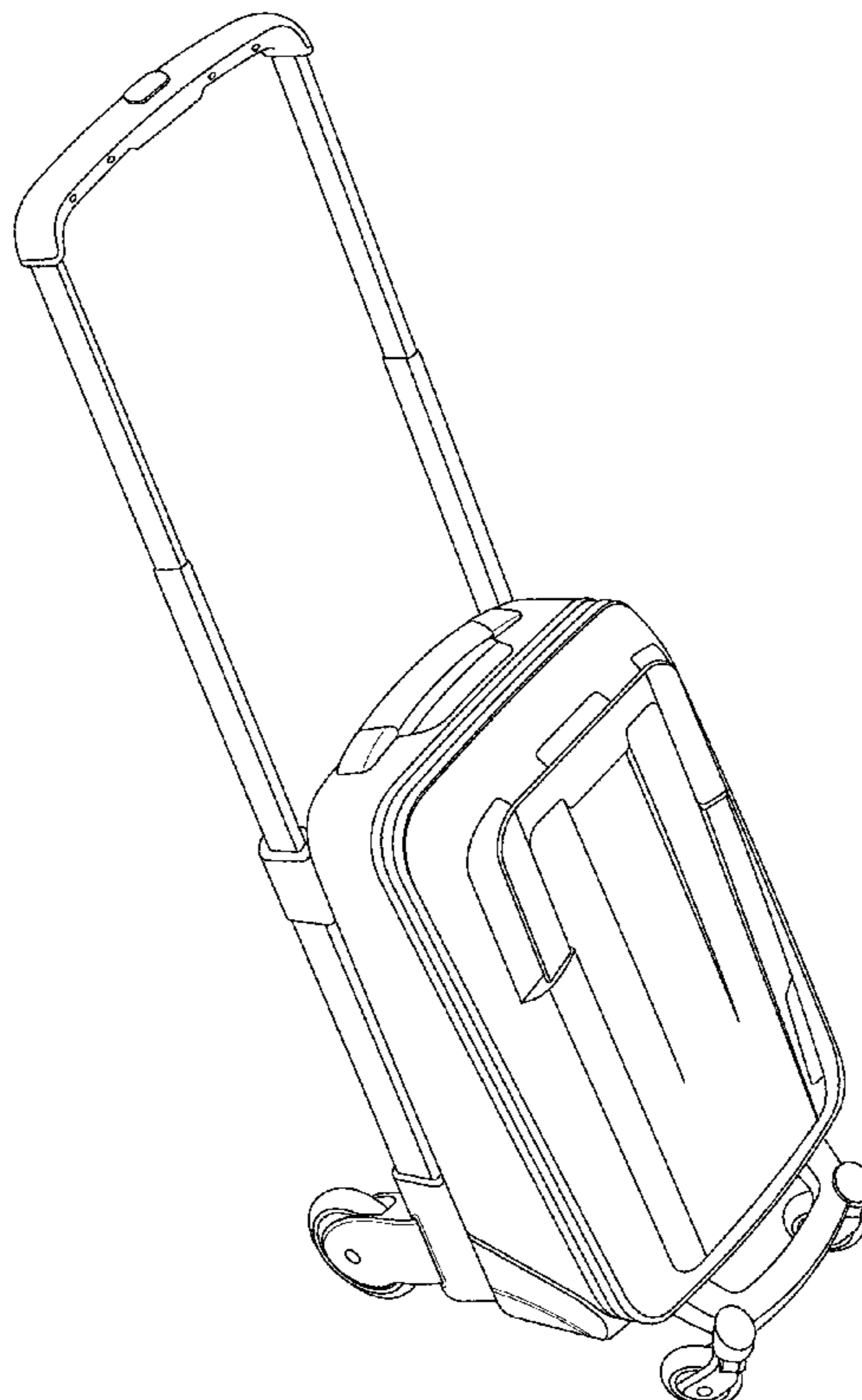
Primary Examiner — Jennifer Rivard
(74) *Attorney, Agent, or Firm* — Charles T. J. Weigell, Esq.;
Fross Zelnick Lehrman & Zissu, P.C.

(57) **CLAIM**
The ornamental design for a combined case and frame, as shown and described.

DESCRIPTION

FIG. 1 a right side view of combined case and frame with frame in an open position (with the left side view being a mirror image thereof);
FIG. 2 is a front view thereof;
FIG. 3 is a top view thereof;
FIG. 4 is a back view thereof;
FIG. 5 is a perspective view thereof;
FIG. 6 is a right side view thereof, with frame shown in a closed position (with the left side view being a mirror image thereof);
FIG. 7 is a back view thereof;
FIG. 8 is a top view thereof;
FIG. 9 is a front view thereof;
FIG. 10 is a bottom view thereof, with closed wheels; and,
FIG. 11 is a bottom view thereof, with open wheels.
The broken lines in FIGS. 10 and 11 illustrate the bounds of the claim. The remaining broken lines illustrate portions of the combined case and frame. None of the broken lines form part of the claimed design.

1 Claim, 11 Drawing Sheets



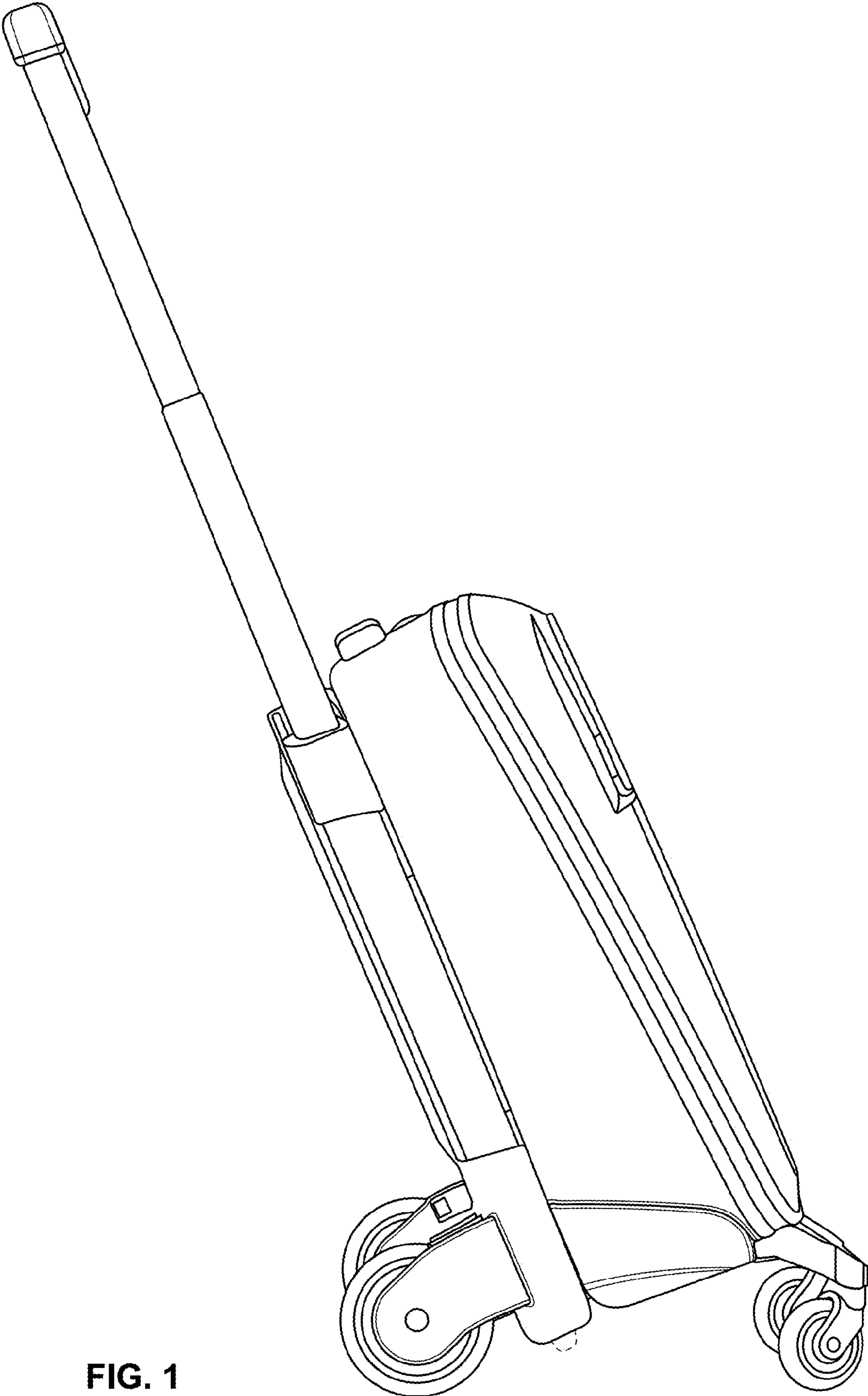


FIG. 1

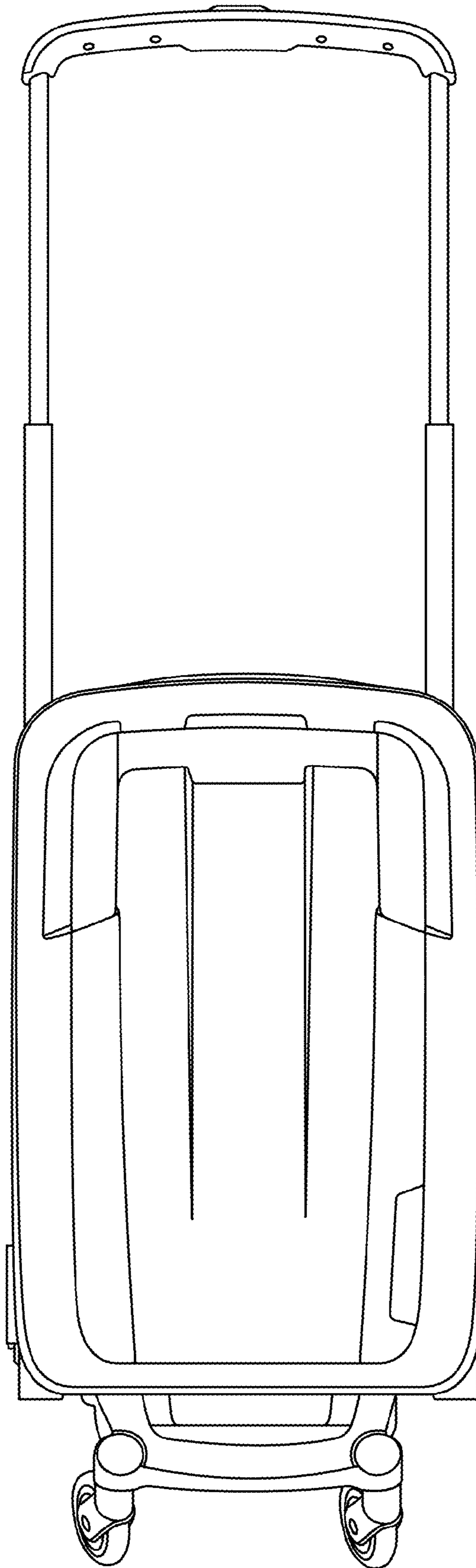


FIG. 2

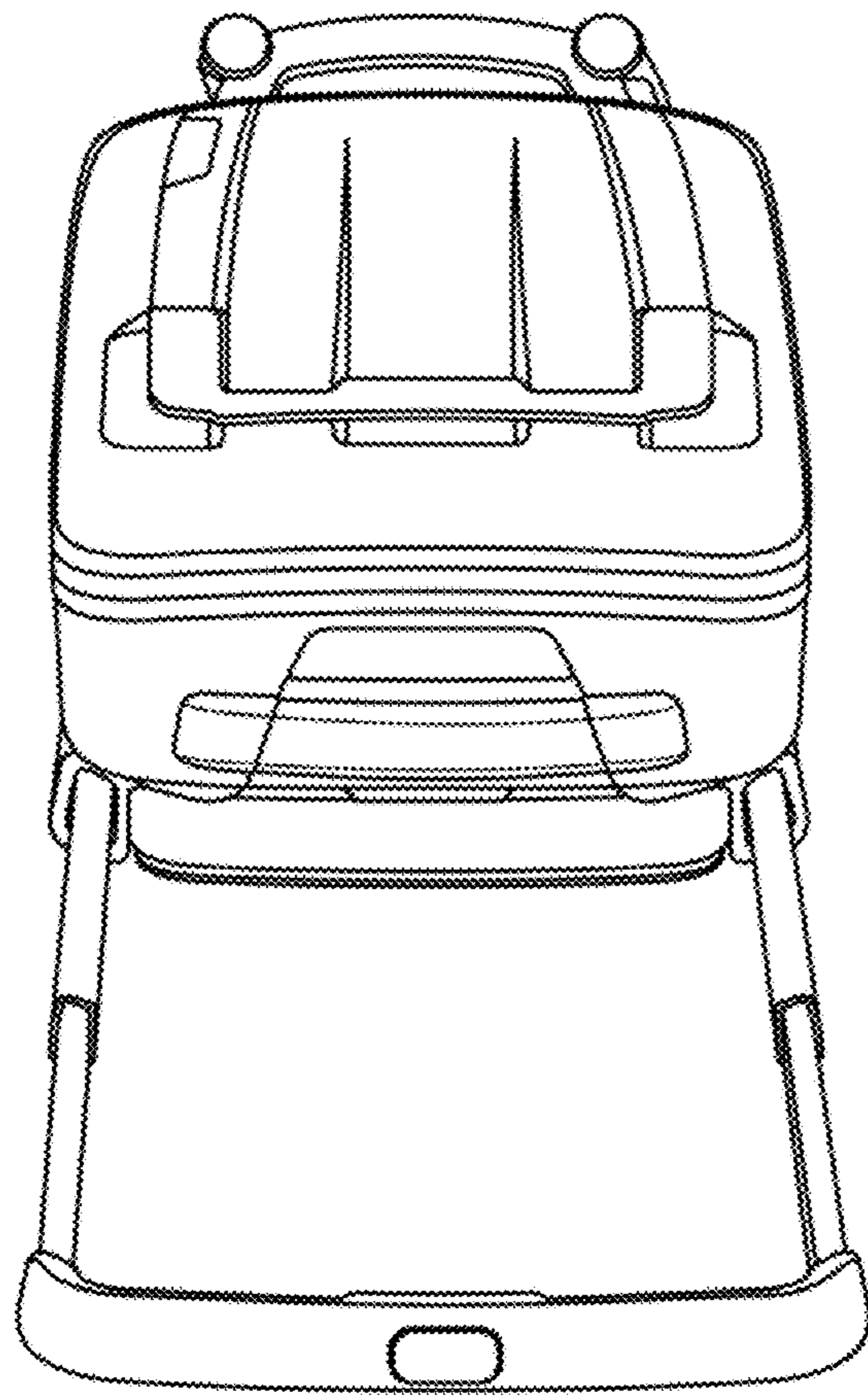


FIG. 3

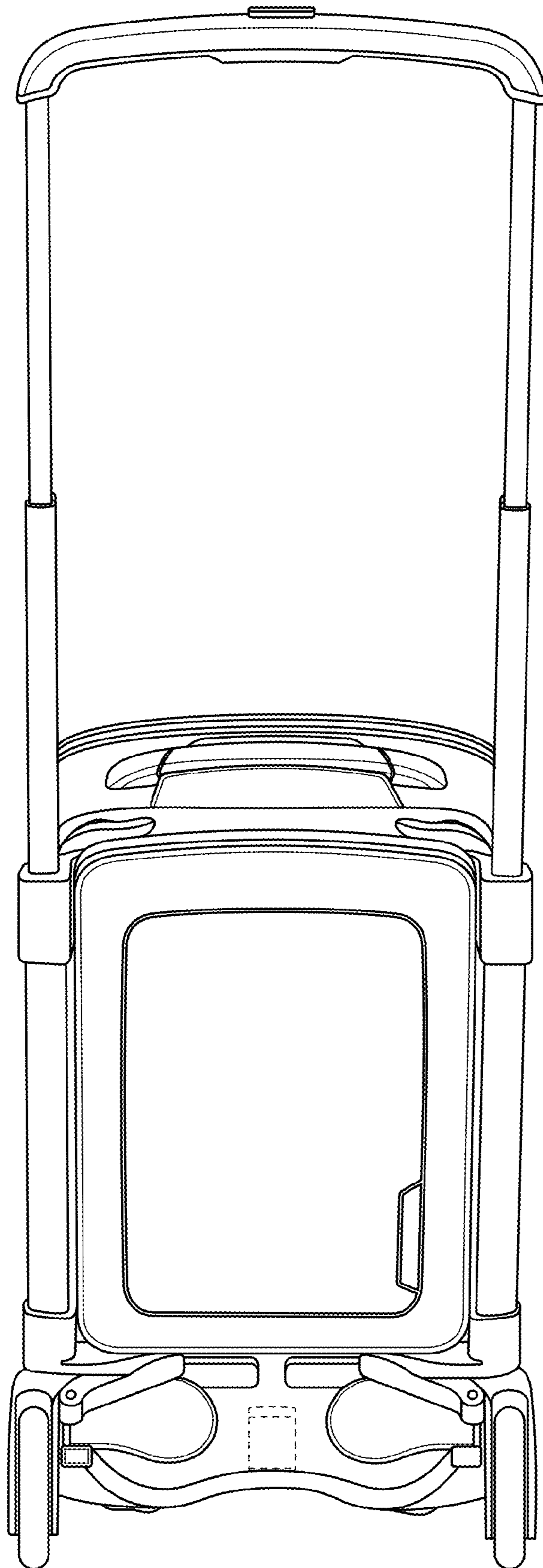


FIG. 4

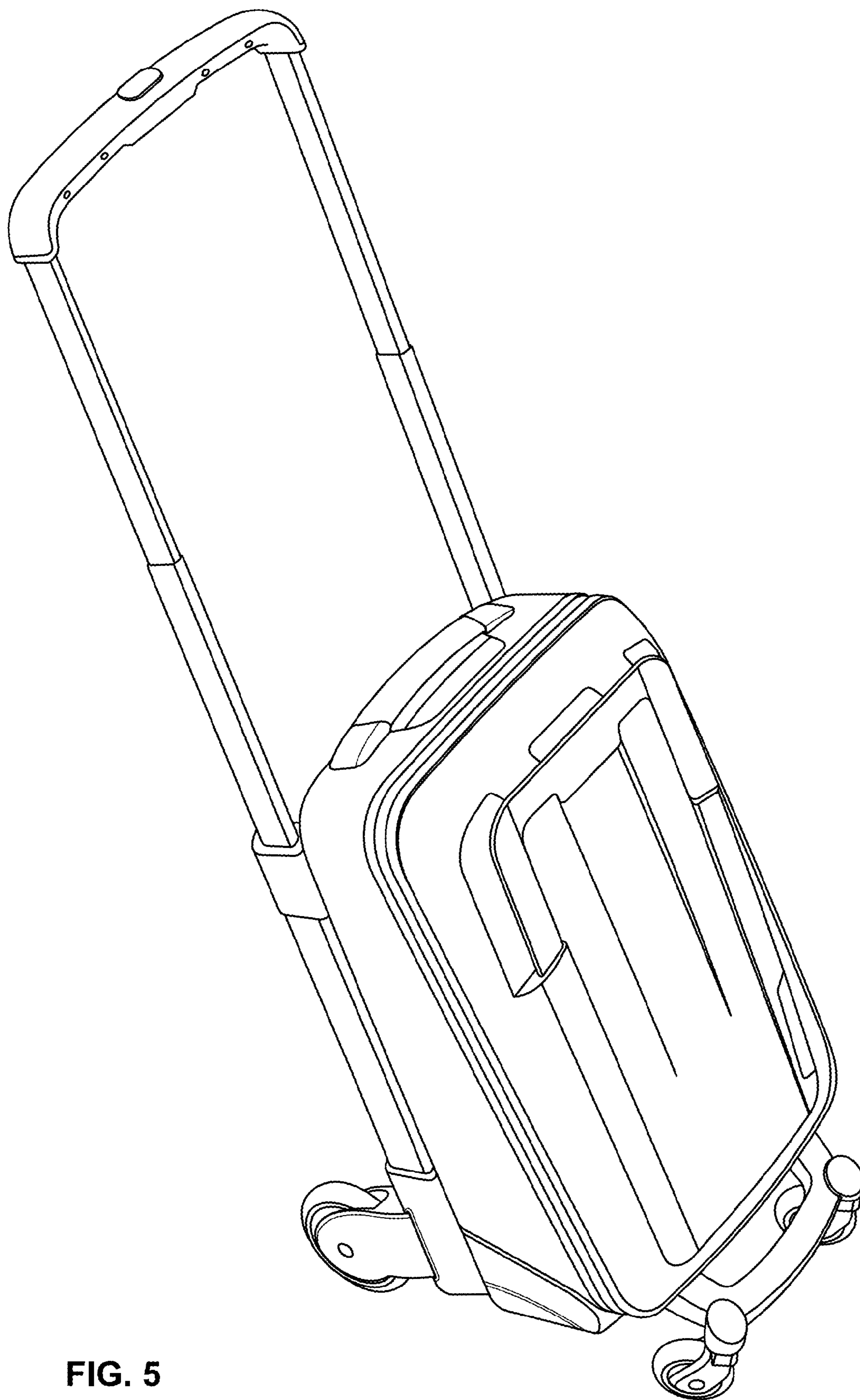


FIG. 5

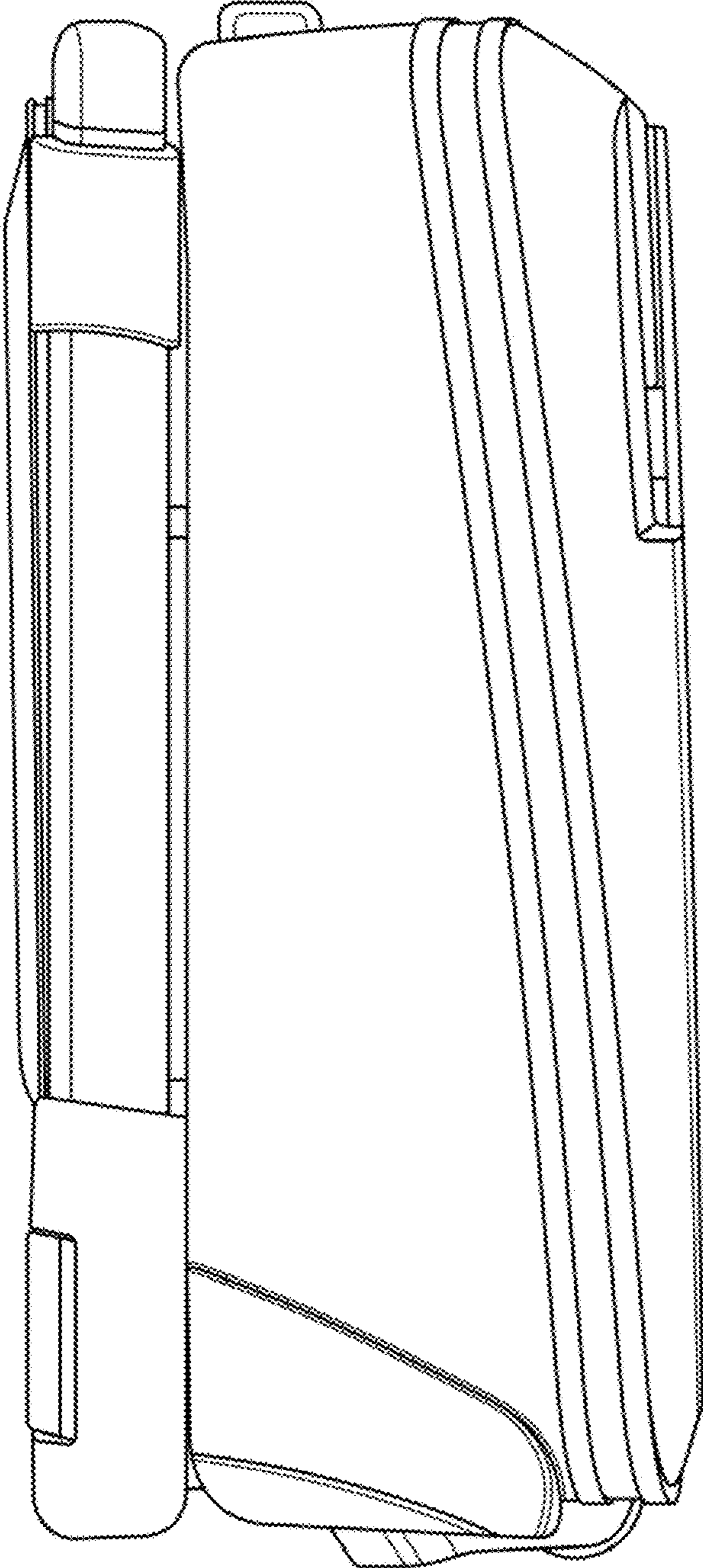


FIG. 6

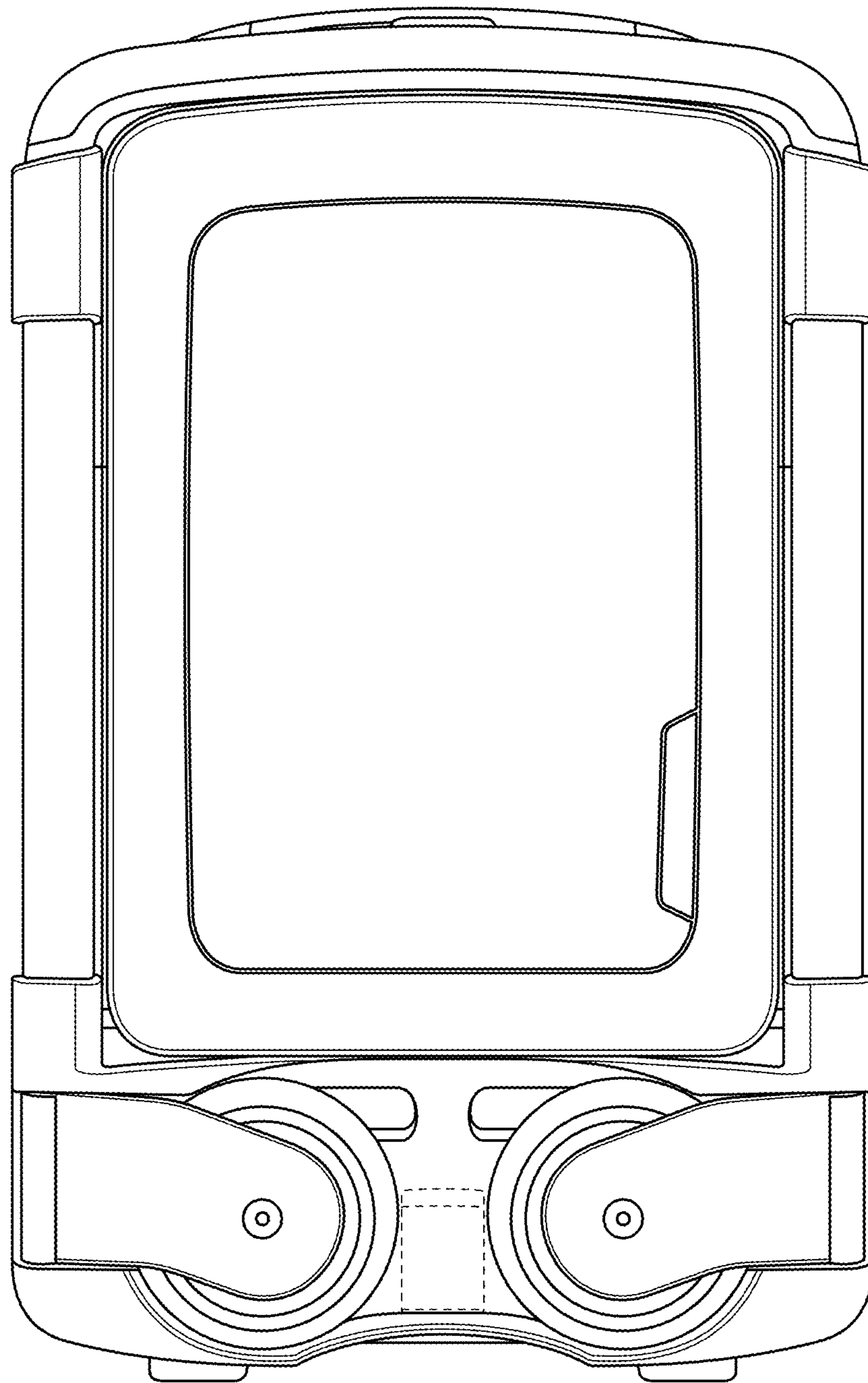


FIG. 7

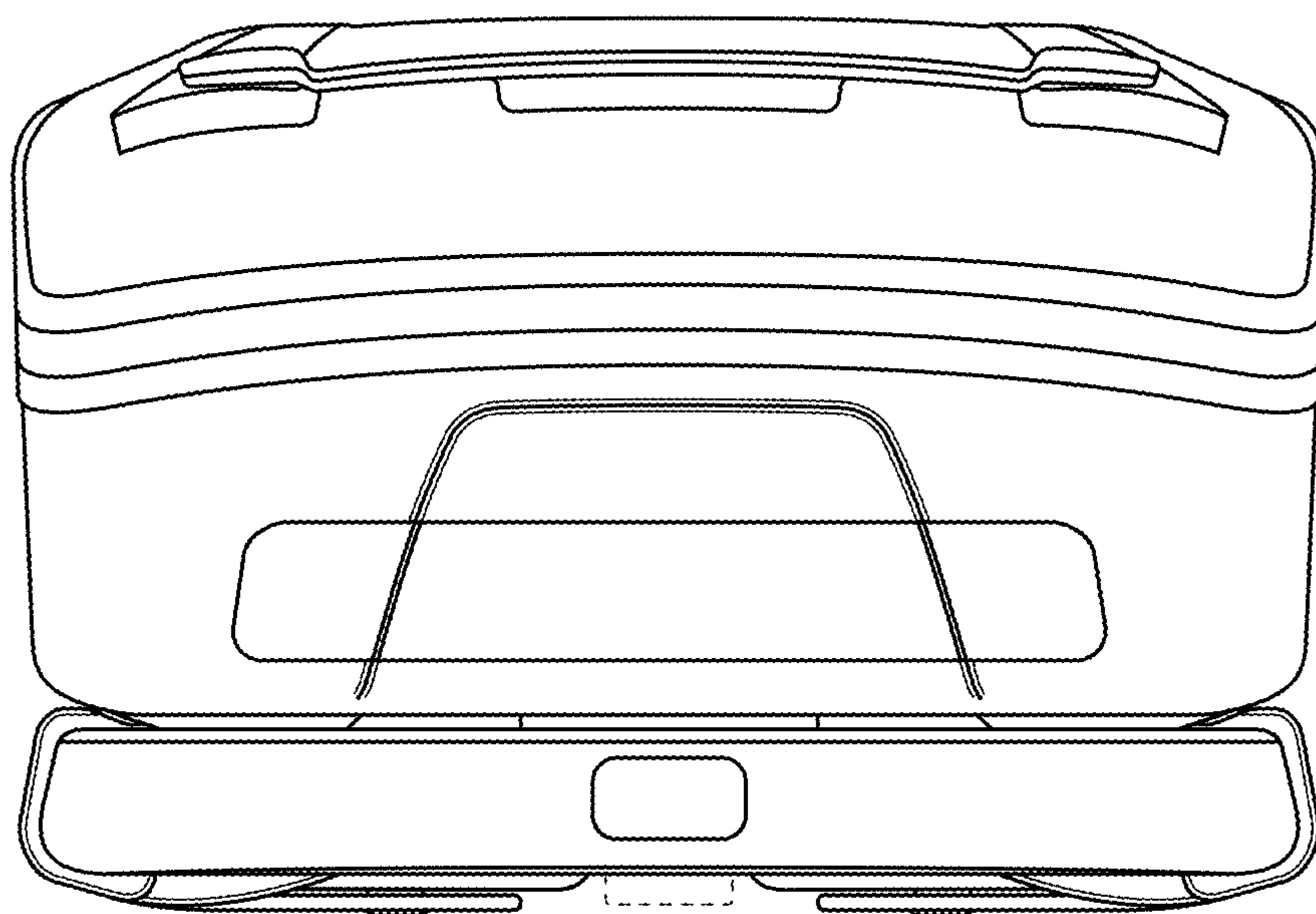


FIG. 8

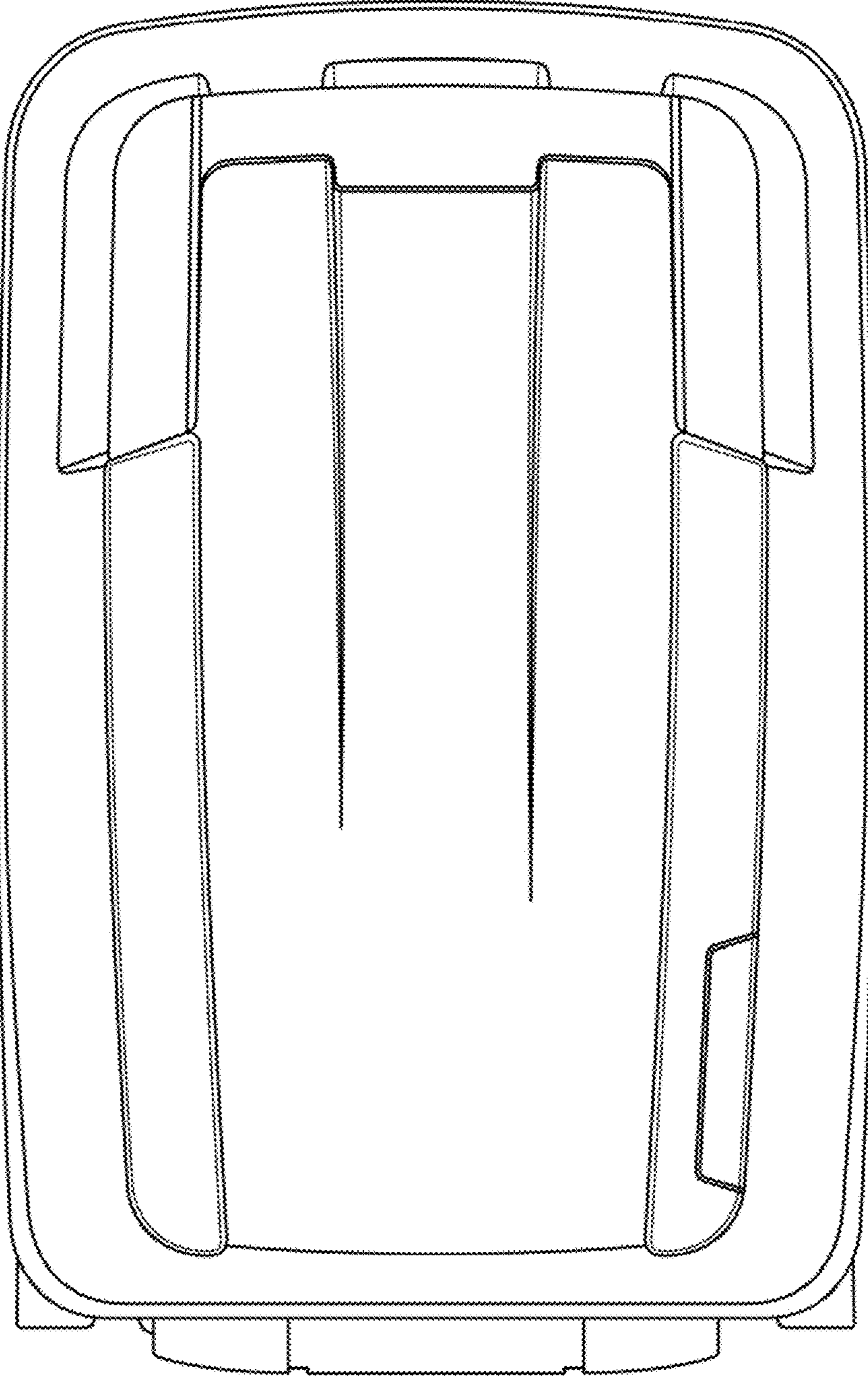


FIG. 9

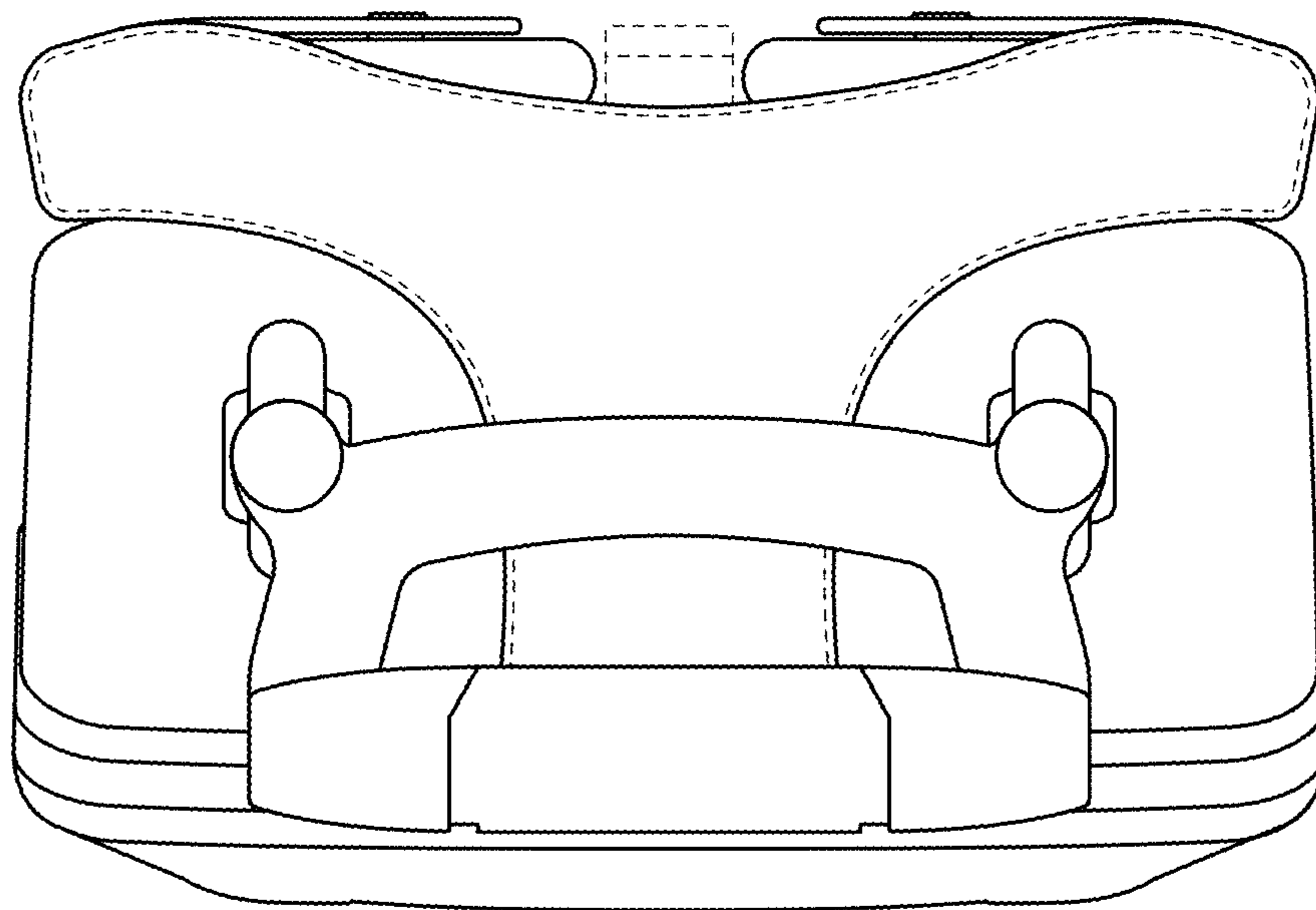


FIG. 10

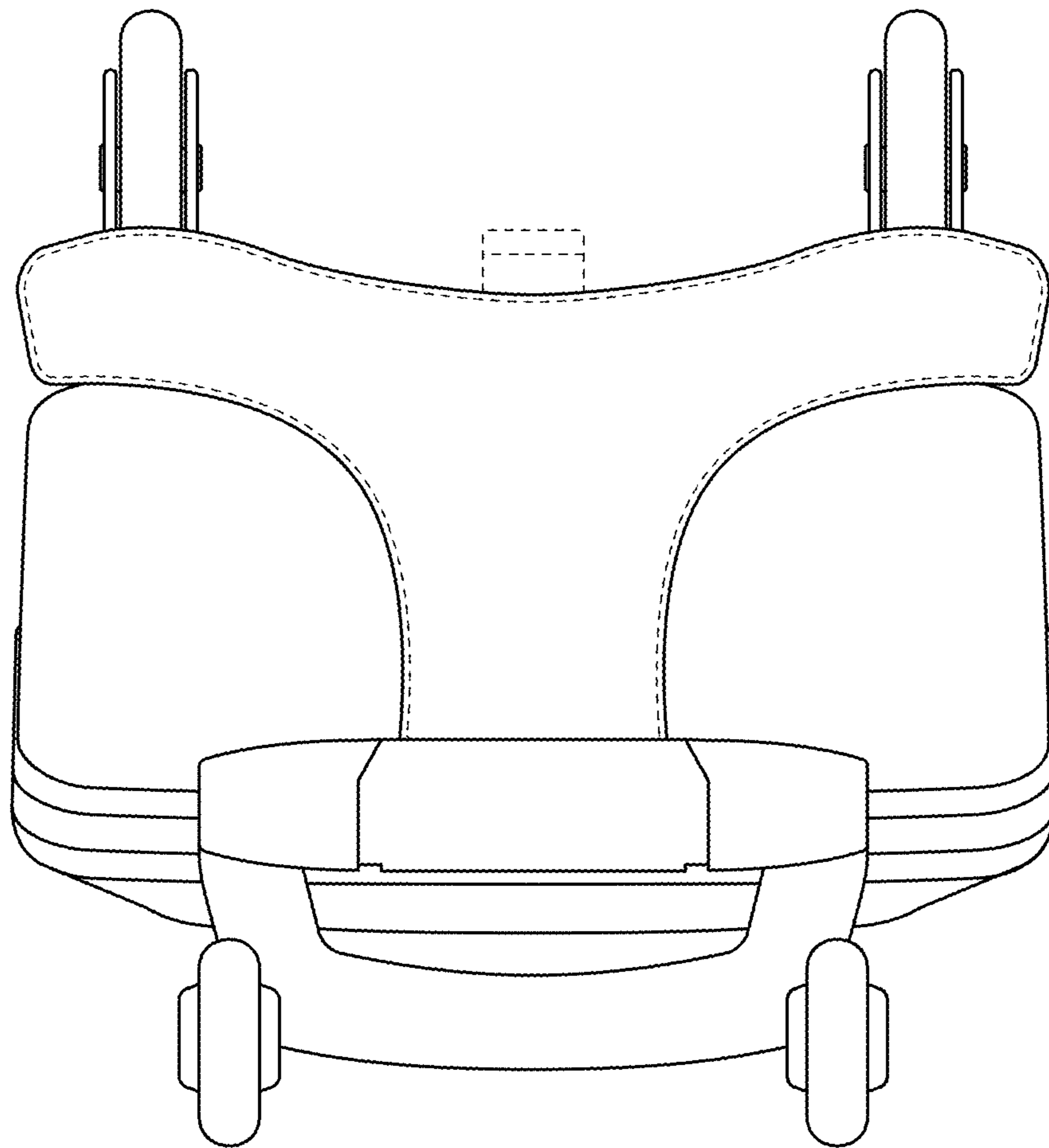


FIG. 11