



US00D758075S

(12) **United States Design Patent**
Quarry et al.

(10) **Patent No.:** **US D758,075 S**
(45) **Date of Patent:** **** Jun. 7, 2016**

(54) **EQUIPMENT BAG**
(71) Applicants: **Brendan E. Quarry**, Delta (CA); **Alvin E. Clemens**, Vancouver (CA)
(72) Inventors: **Brendan E. Quarry**, Delta (CA); **Alvin E. Clemens**, Vancouver (CA)
(**) Term: **14 Years**

D688,457 S * 8/2013 Harris D3/285
D698,150 S * 1/2014 Sabounjian D3/285
8,800,737 B2 * 8/2014 Fair et al. 190/110
8,820,522 B2 * 9/2014 Quarry A45C 5/04
116/63 C
2001/0037923 A1 * 11/2001 Godshaw 190/110
2008/0142558 A1 * 6/2008 Dexter 224/275
2009/0101253 A1 * 4/2009 Kinskey et al. 150/107
2012/0145718 A1 * 6/2012 Quarry et al. 220/507
2014/0202814 A1 * 7/2014 Collins 190/113

(21) Appl. No.: **29/457,903**
(22) Filed: **Jun. 13, 2013**
(51) **LOC (10) Cl.** **03-01**
(52) **U.S. Cl.**
USPC **D3/276; D3/284; D3/290; D3/299;**
D3/904
(58) **Field of Classification Search**
USPC **D3/273, 276, 282, 283, 285, 287, 284,**
D3/289, 290, 299, 301, 900, 902, 295, 225,
D3/215, 901; 224/218; 150/100-126;
190/100-127, 903
CPC **A45C 2013/026; A45C 2003/007;**
A45C 3/00; A45C 3/001; A45C 2003/002;
A45C 13/02; A45C 11/00; A45C 5/04;
A63B 71/0036
See application file for complete search history.

OTHER PUBLICATIONS

“Monday morning centreback” blog, “Coach equipment: the Cambie Soccer Box”, Posted Oct. 28, 2012, Accessed Feb. 25, 2016. (<https://mondaymorningcentreback.wordpress.com/2012/10/28/coach-equipment-the-cambie-soccer-box/>).*

* cited by examiner

Primary Examiner — Jennifer Rivard
Assistant Examiner — April Rivas
(74) *Attorney, Agent, or Firm* — Smiths IP; Dana Turner-Ryan

(56) **References Cited**

U.S. PATENT DOCUMENTS

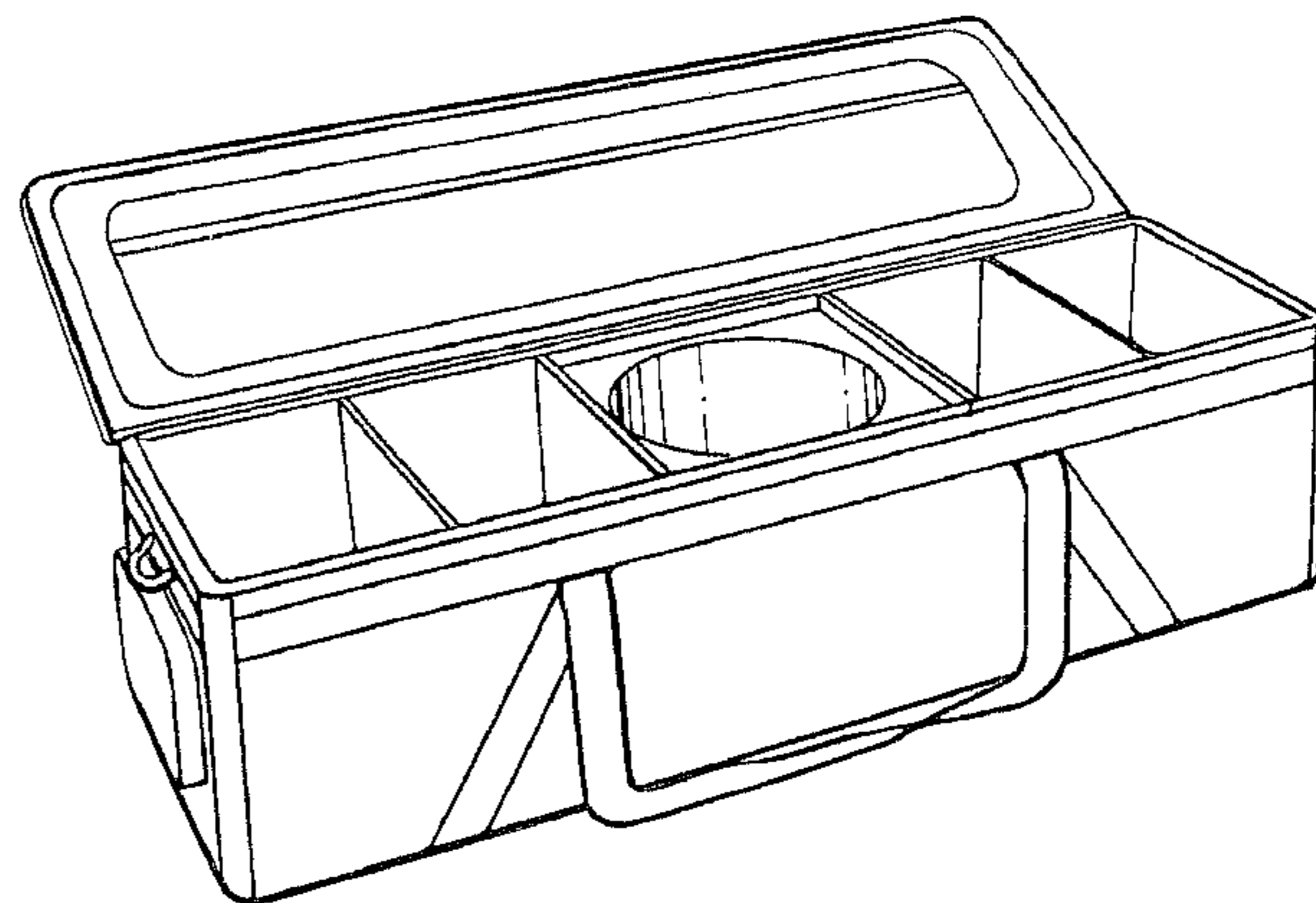
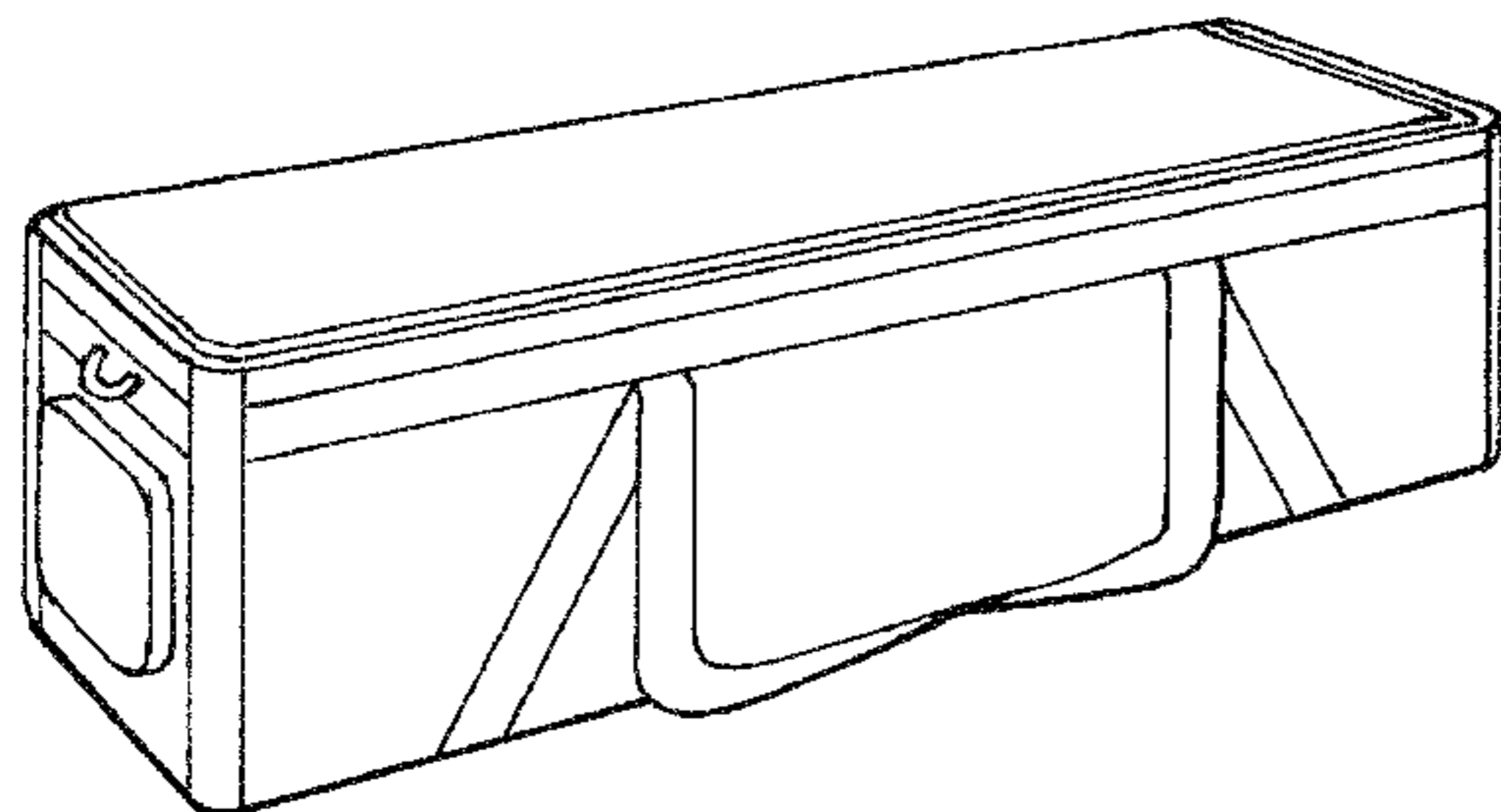
4,210,186 A * 7/1980 Belenson 206/316.2
D439,740 S * 4/2001 Harris D3/276
D575,059 S * 8/2008 Cappiello et al. D3/283
7,565,974 B2 * 7/2009 Adams, Jr. A45C 13/02
190/109
D671,317 S * 11/2012 Sabounjian D3/285
D685,575 S * 7/2013 Cullen et al. D3/289

(57) **CLAIM**
The ornamental design for an equipment bag, as shown.

DESCRIPTION

FIG. 1 is a front perspective view of the equipment bag in a closed configuration;
FIG. 2 is a top view thereof;
FIG. 3 is a front view thereof;
FIG. 4 is a bottom view thereof;
FIG. 5 is a rear view thereof;
FIG. 6 is a left side view thereof; and,
FIG. 7 is a front perspective view of the equipment bag in an open configuration.

1 Claim, 3 Drawing Sheets



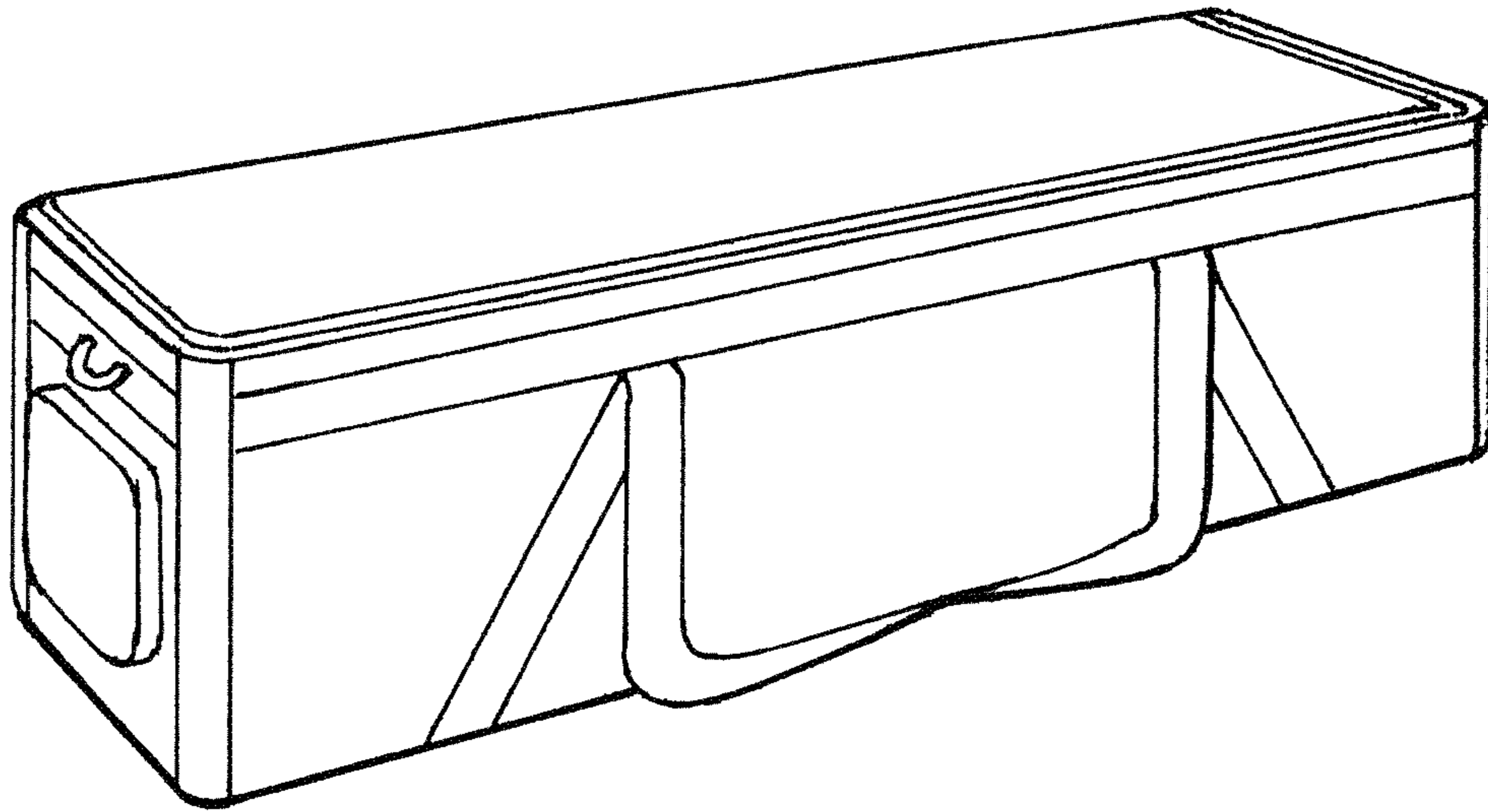


FIG. 1

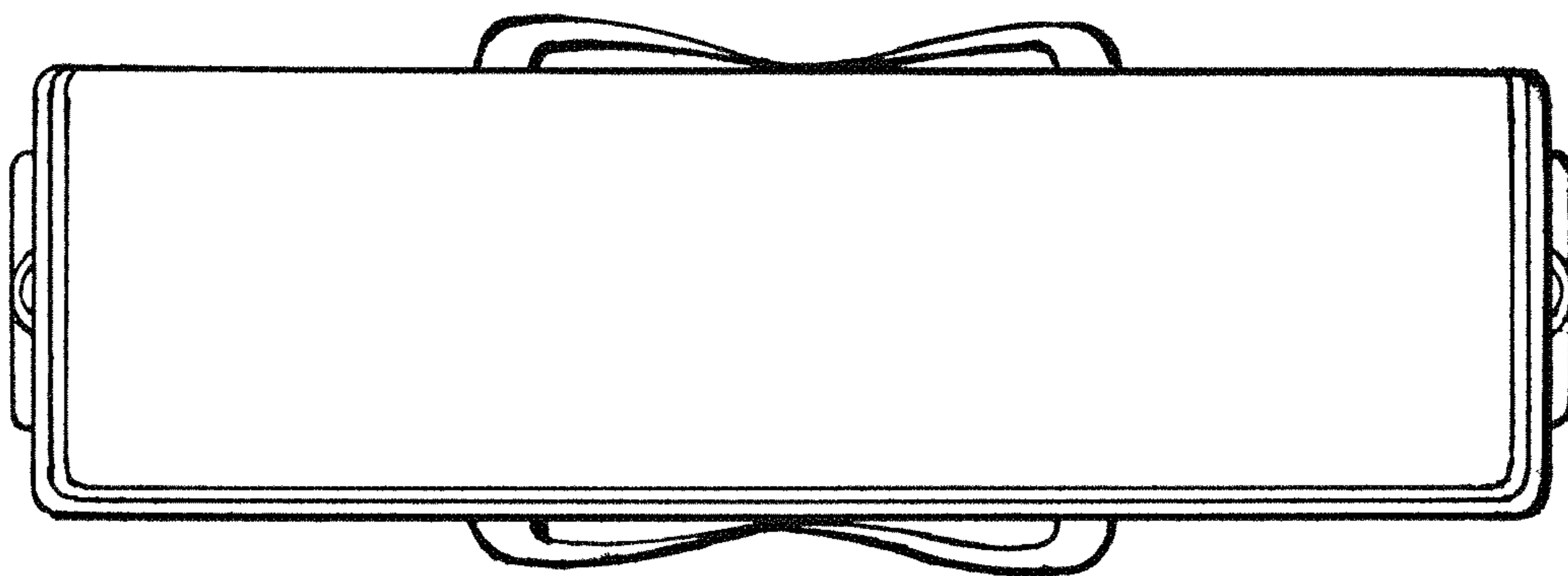


FIG. 2

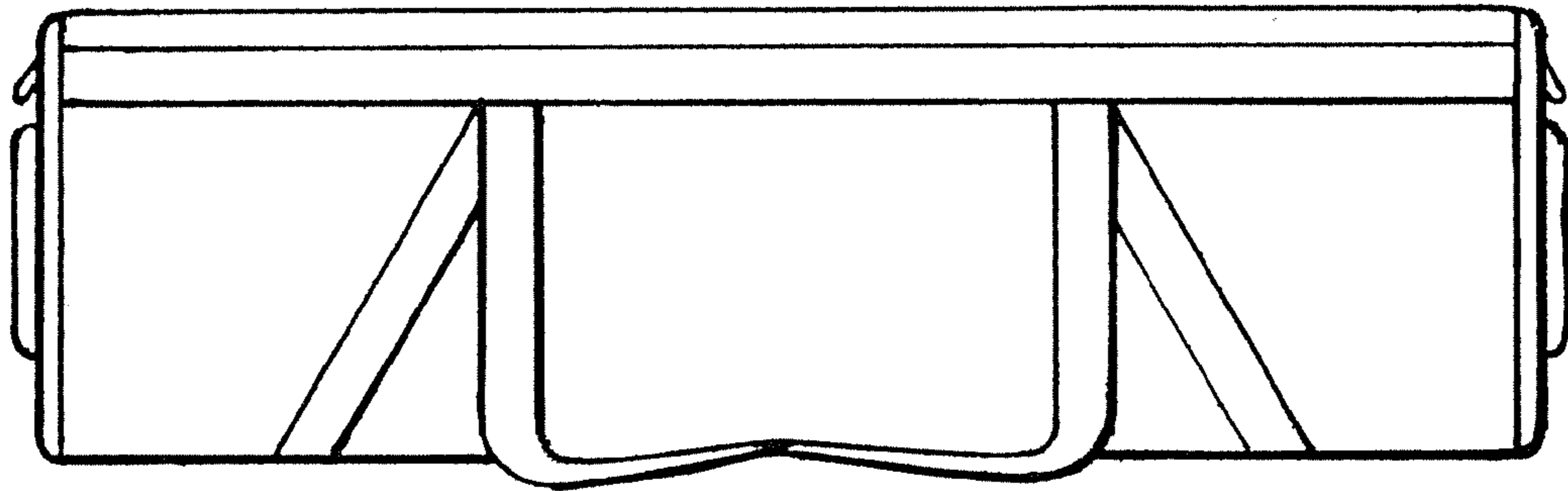


FIG. 3

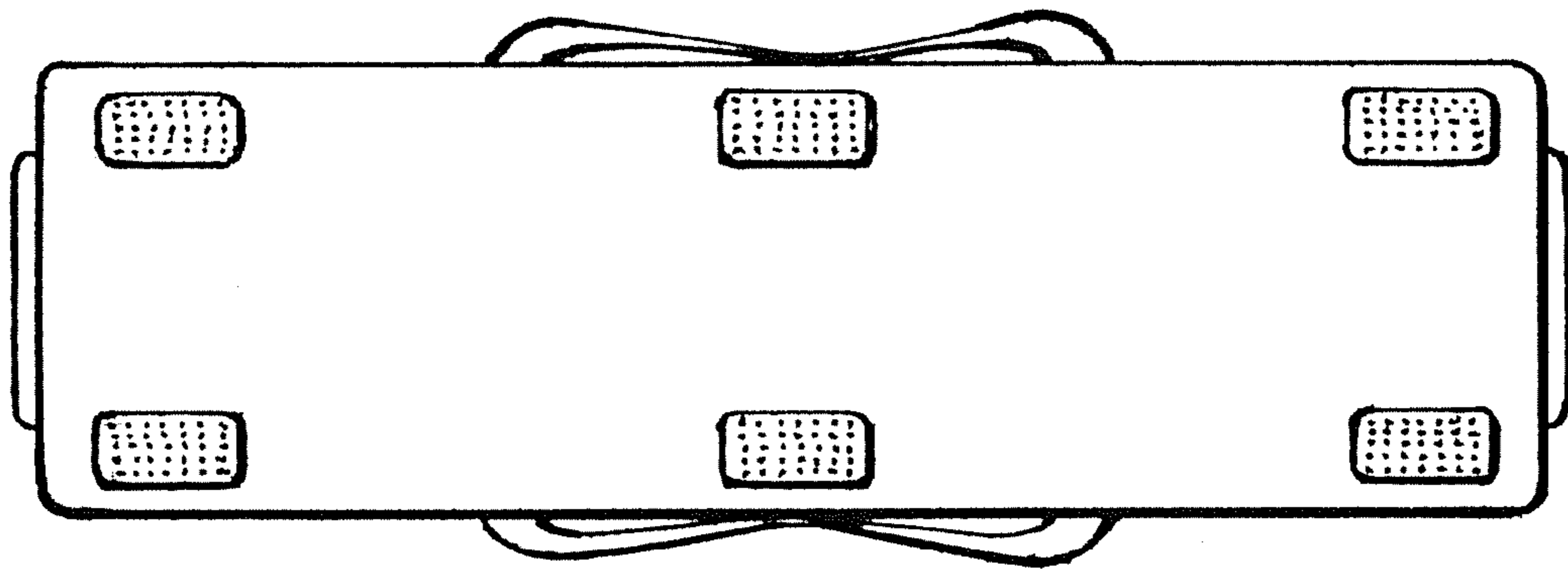


FIG. 4

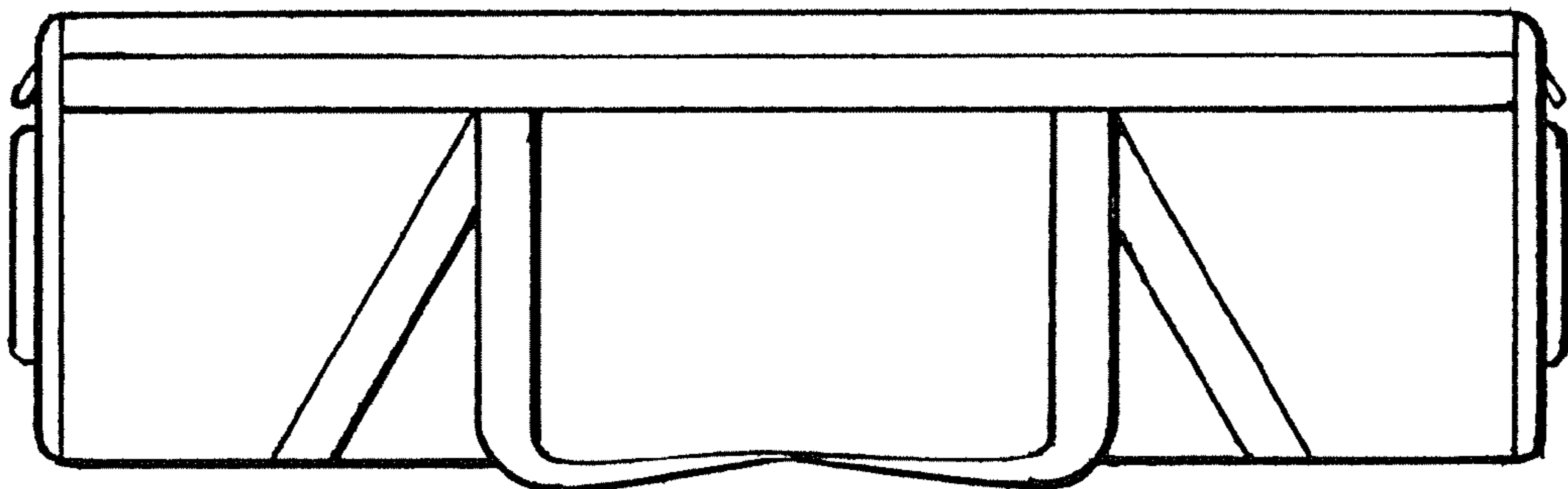


FIG. 5

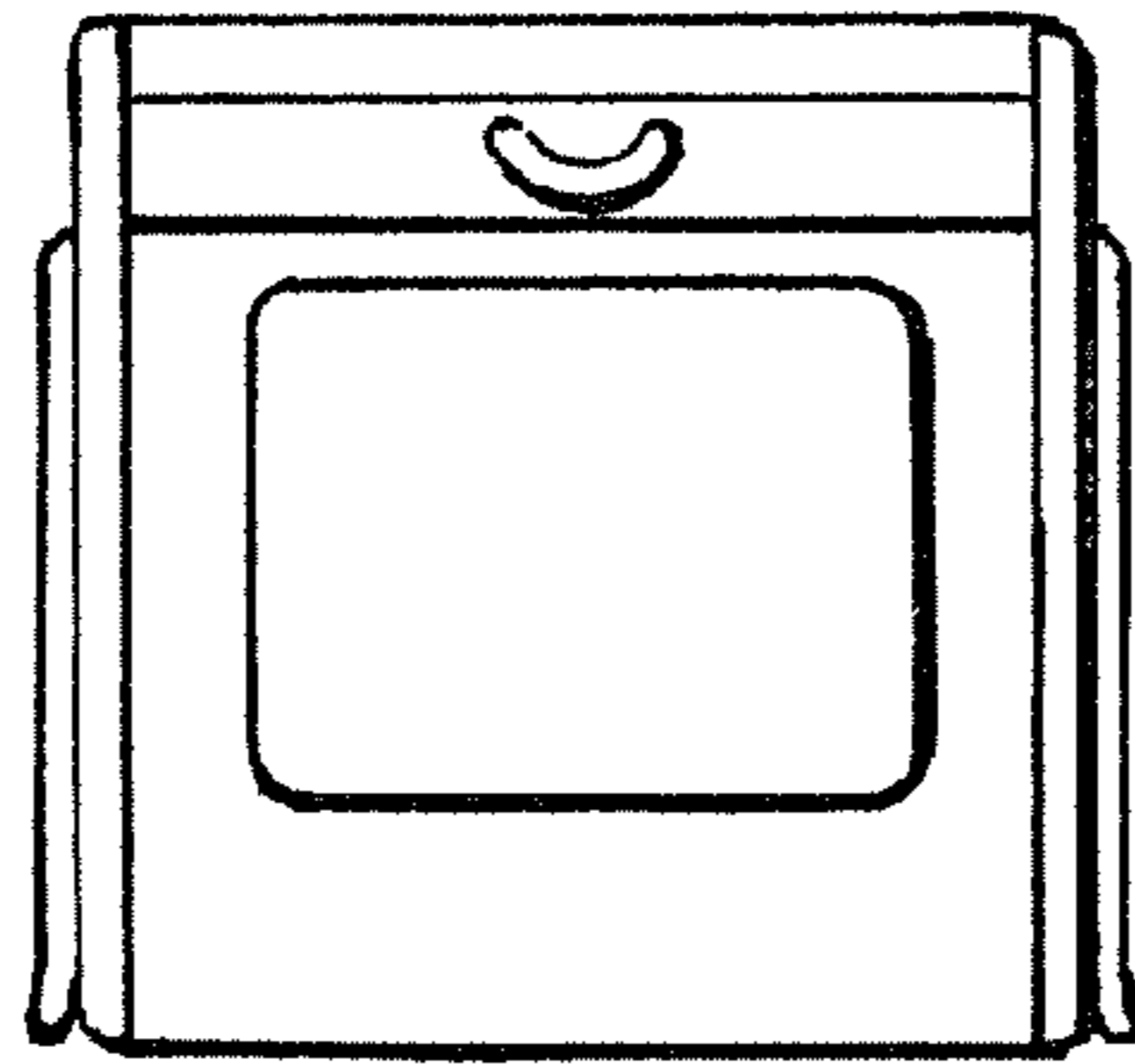


FIG. 6

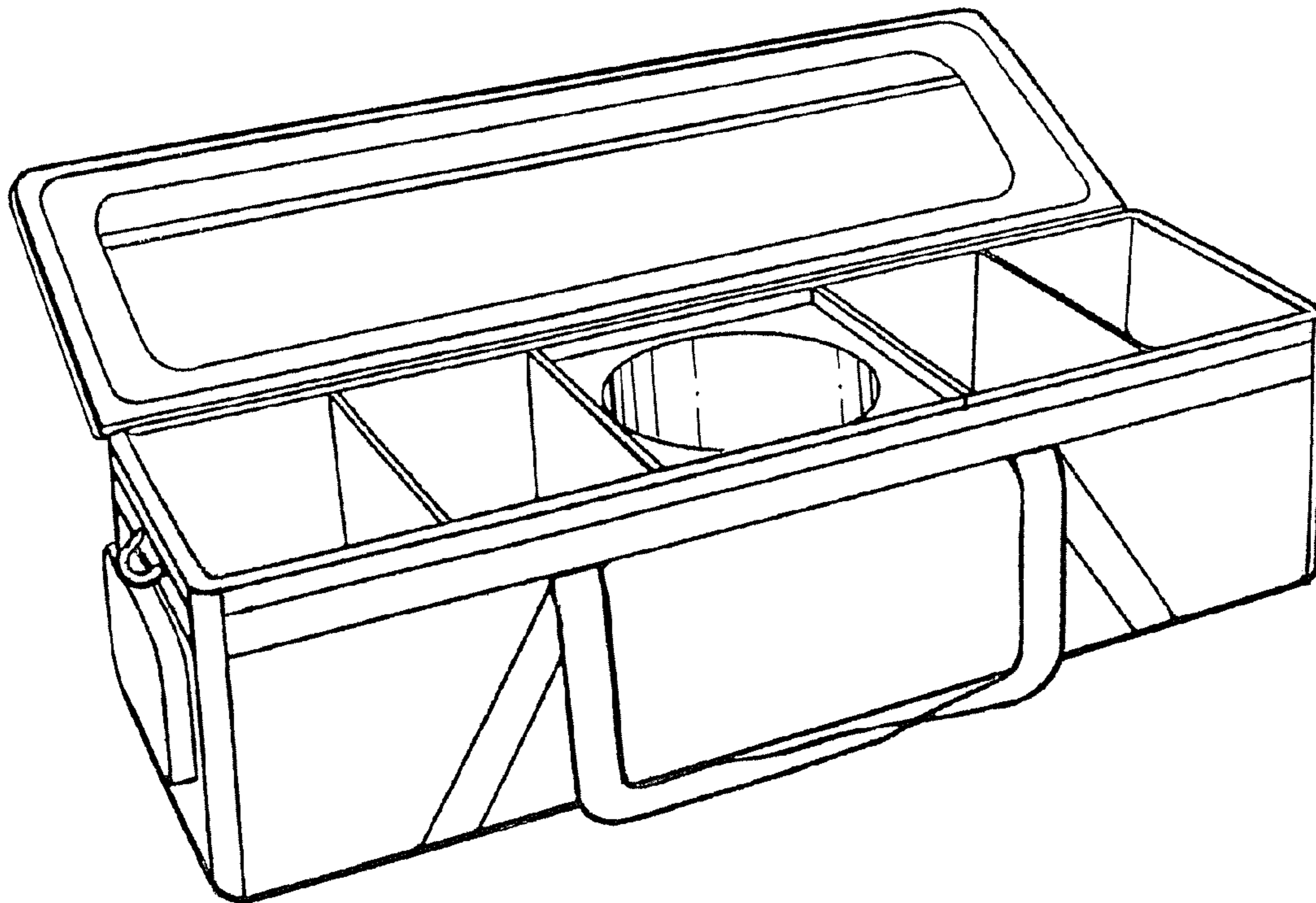


FIG. 7