



US00D758073S

(12) **United States Design Patent**
Town, II

(10) **Patent No.:** **US D758,073 S**
(45) **Date of Patent:** **** Jun. 7, 2016**

(54) **BASEBALL CART**

(71) Applicant: **Winton D. Town, II**, Paola, KS (US)

(72) Inventor: **Winton D. Town, II**, Paola, KS (US)

(**) Term: **14 Years**

(21) Appl. No.: **29/518,002**

(22) Filed: **Feb. 19, 2015**

(51) **LOC (10) Cl.** **03-01**

(52) **U.S. Cl.**
USPC **D3/254**

(58) **Field of Classification Search**
USPC D3/254, 304, 201, 294; D34/25
CPC A45C 5/14; A63B 71/0045; A63B
2071/025; B62B 3/10
See application file for complete search history.

(56) **References Cited**

U.S. PATENT DOCUMENTS

- 3,869,137 A * 3/1975 Byrom A63B 55/60
211/14
- 3,876,223 A * 4/1975 O'Reilly B62B 1/26
280/47.19
- 4,418,930 A * 12/1983 Ryan, Jr. A63B 55/60
211/15
- 4,890,731 A * 1/1990 Mroz A63B 71/0045
206/315.1
- 4,968,048 A * 11/1990 Lortie A63B 71/0045
150/154
- 5,224,602 A * 7/1993 Bettles A63B 71/0045
206/315.1
- D340,565 S * 10/1993 Klopfenstein D34/15
- 5,273,298 A * 12/1993 Brown, Sr. A63B 71/0045
206/315.1
- 5,351,976 A * 10/1994 Penson B26B 3/10
280/47.35
- 5,797,612 A * 8/1998 Buccioni B62B 1/12
280/47.19

- D401,727 S * 11/1998 Weideman D34/25
- 5,975,293 A * 11/1999 Fowler A63B 71/0045
206/315.1
- D417,548 S * 12/1999 Craven D3/254
- 6,196,217 B1 * 3/2001 Smith A63B 71/0045
126/681
- 6,494,468 B1 * 12/2002 Inge A63B 71/0045
206/315.1
- 6,663,119 B2 * 12/2003 White A63B 47/002
280/47.131
- D505,836 S * 6/2005 Burkholder D7/605
- 7,331,454 B2 * 2/2008 Godshaw A45C 5/14
190/117
- 7,712,752 B2 * 5/2010 Horning A47B 81/00
280/47.19
- 2006/0228201 A1 * 10/2006 Lencieski A63B 71/0036
414/466

* cited by examiner

Primary Examiner — Mitchell Siegel
(74) *Attorney, Agent, or Firm* — Intellectual Property Center, LLC; Arthur K. Shaffer

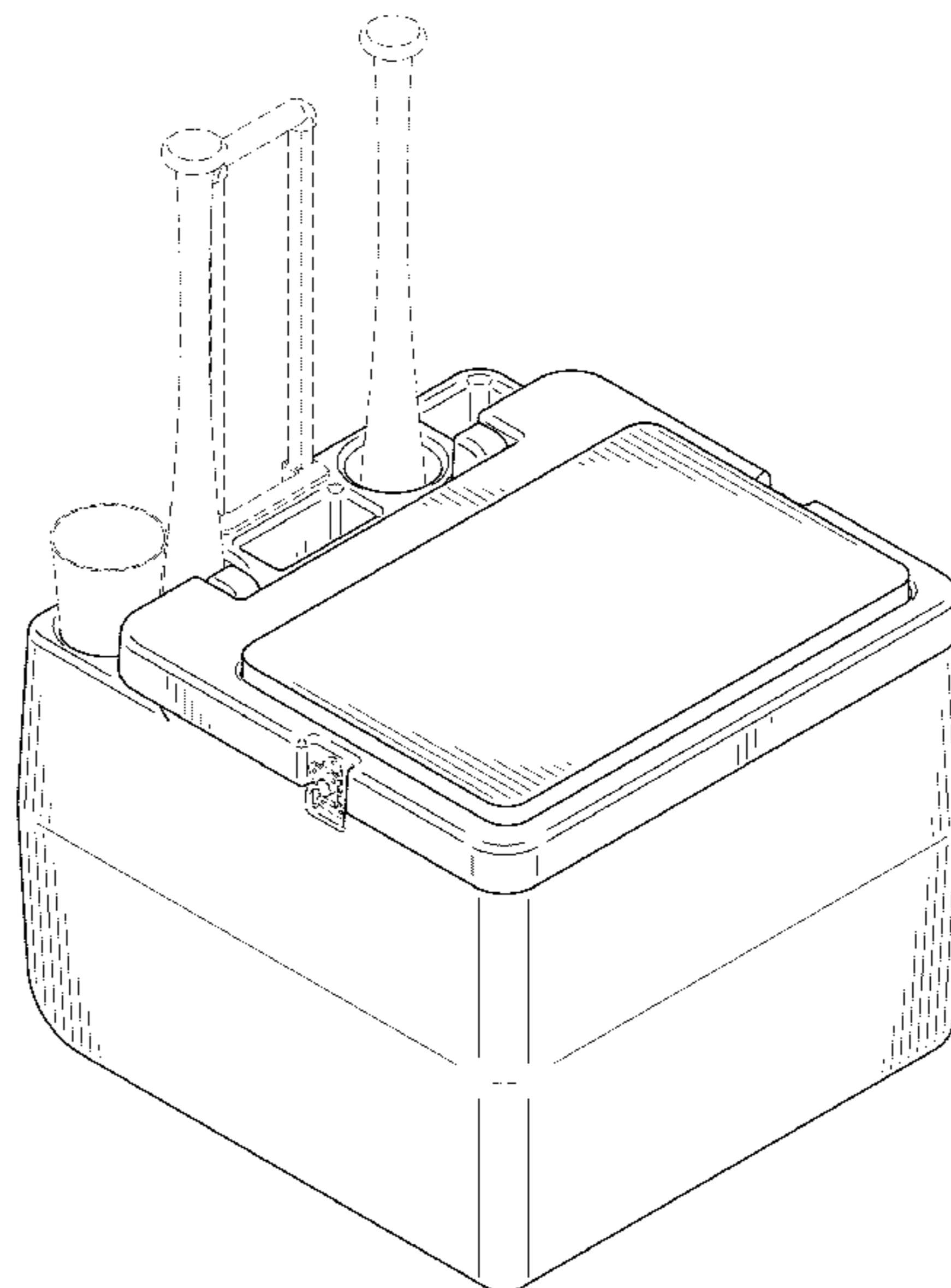
(57) **CLAIM**

The ornamental design for a baseball cart, as shown and described herein.

DESCRIPTION

FIG. 1 is a front perspective view of a the baseball cart in accordance with an embodiment of the present invention; FIG. 2 is a front elevation thereof; FIG. 3 is a right side elevation thereof, the left side being a mirror image thereof; FIG. 4 is a rear elevation thereof; FIG. 5 is a top plan view thereof; and, FIG. 6 is a bottom plan view thereof. The broken and dashed lines in FIGS. 1-6 are for illustrative purposes only and form no part of the claimed invention.

1 Claim, 6 Drawing Sheets



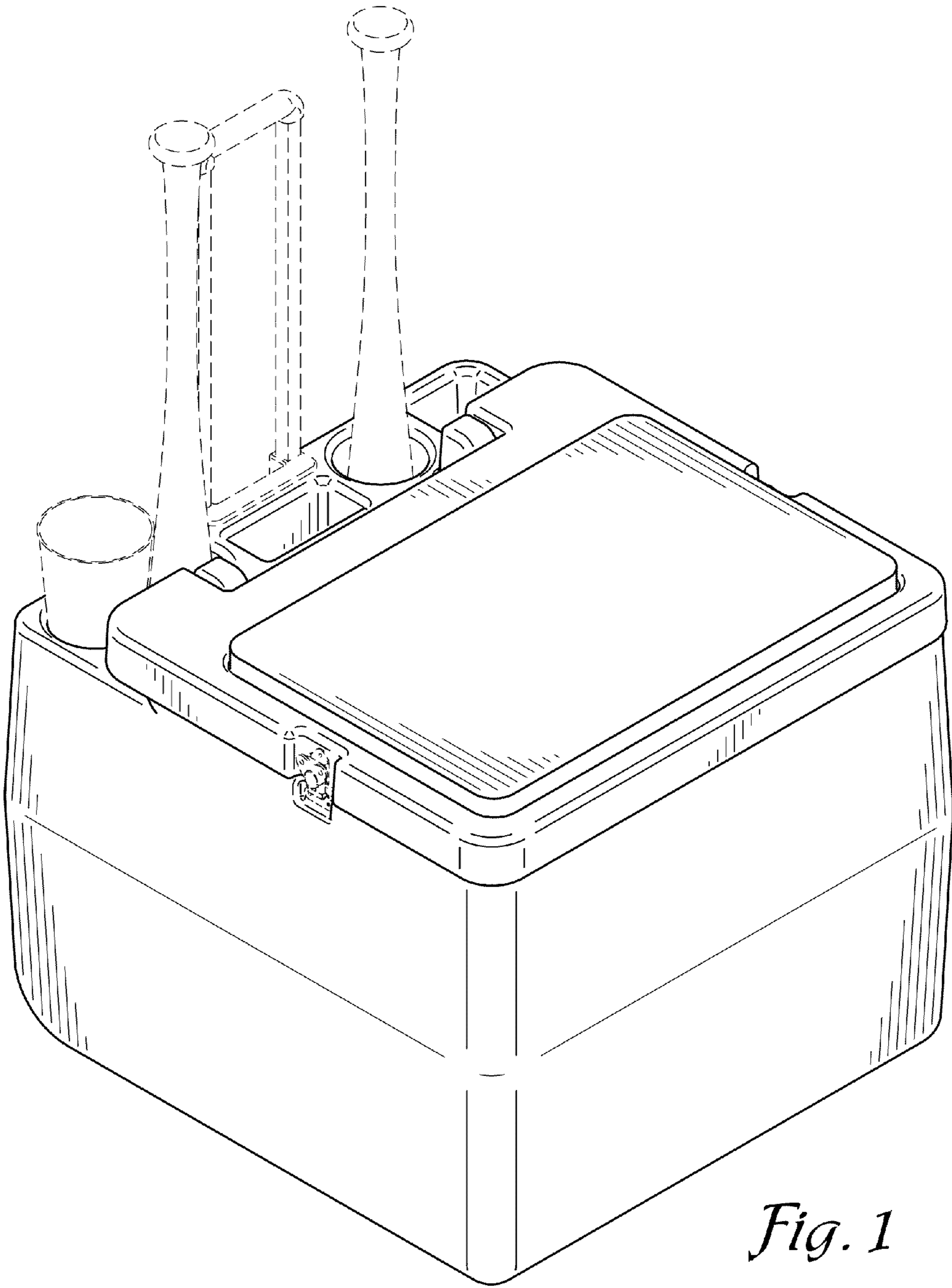


Fig. 1

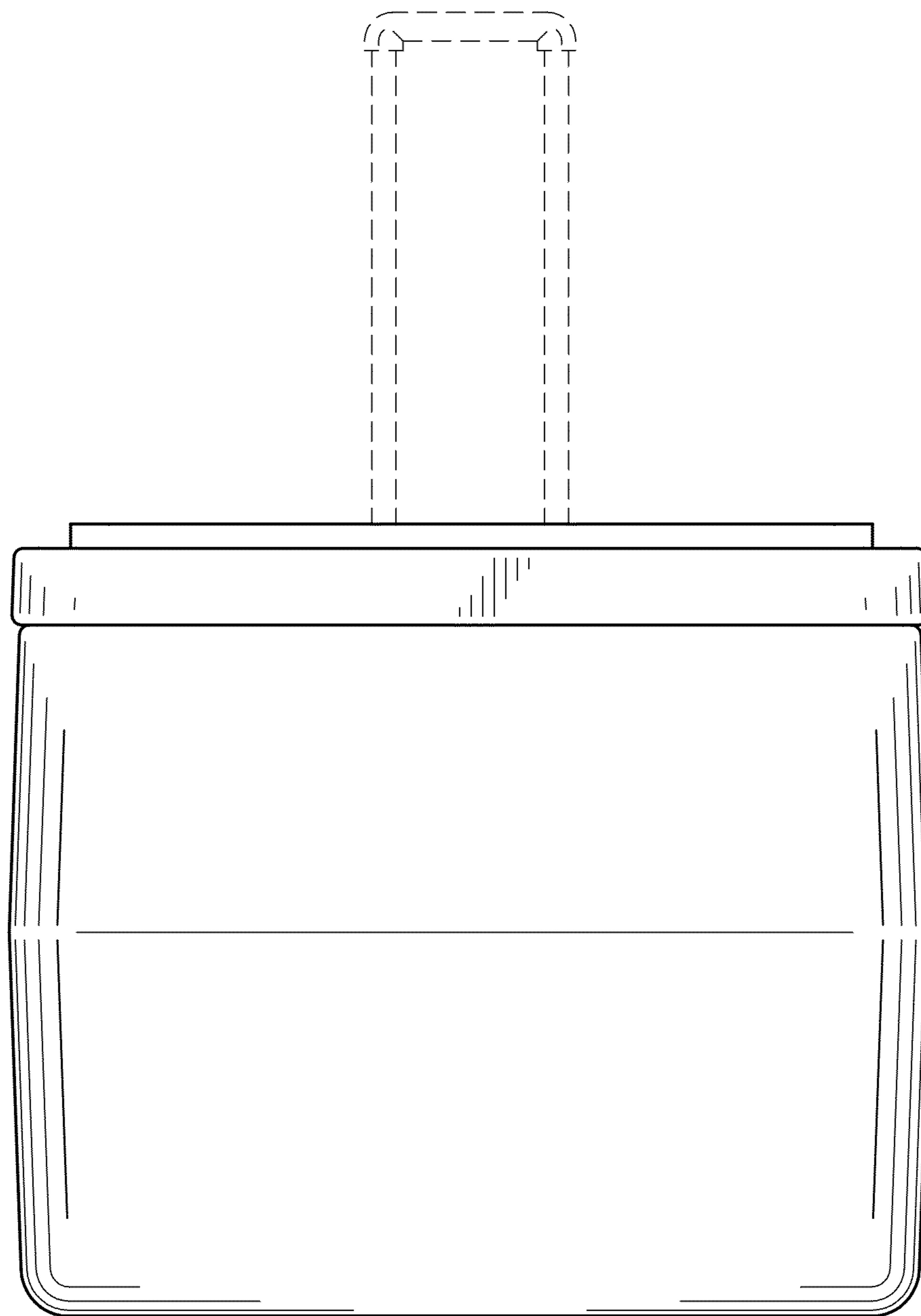


Fig. 2

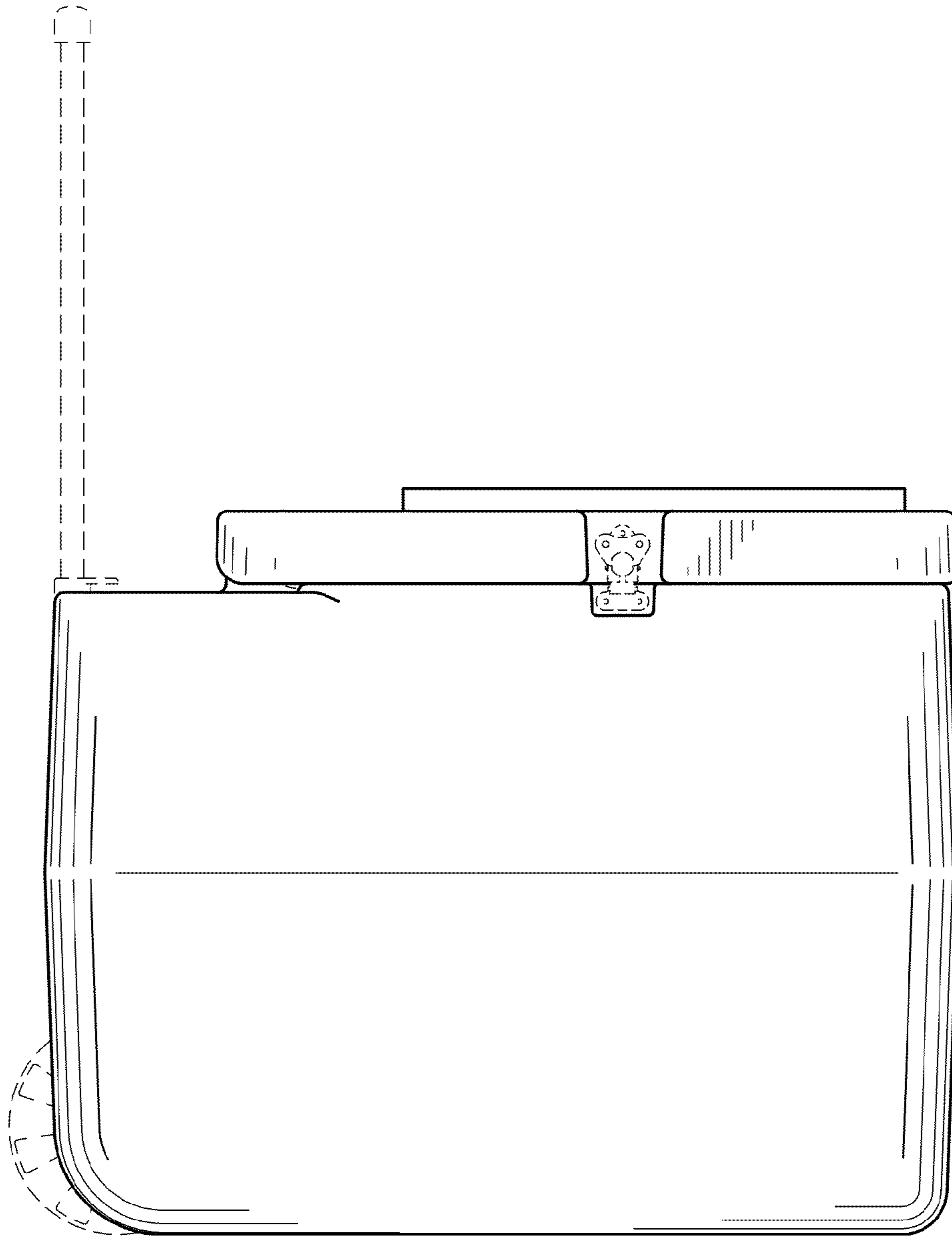


Fig. 3

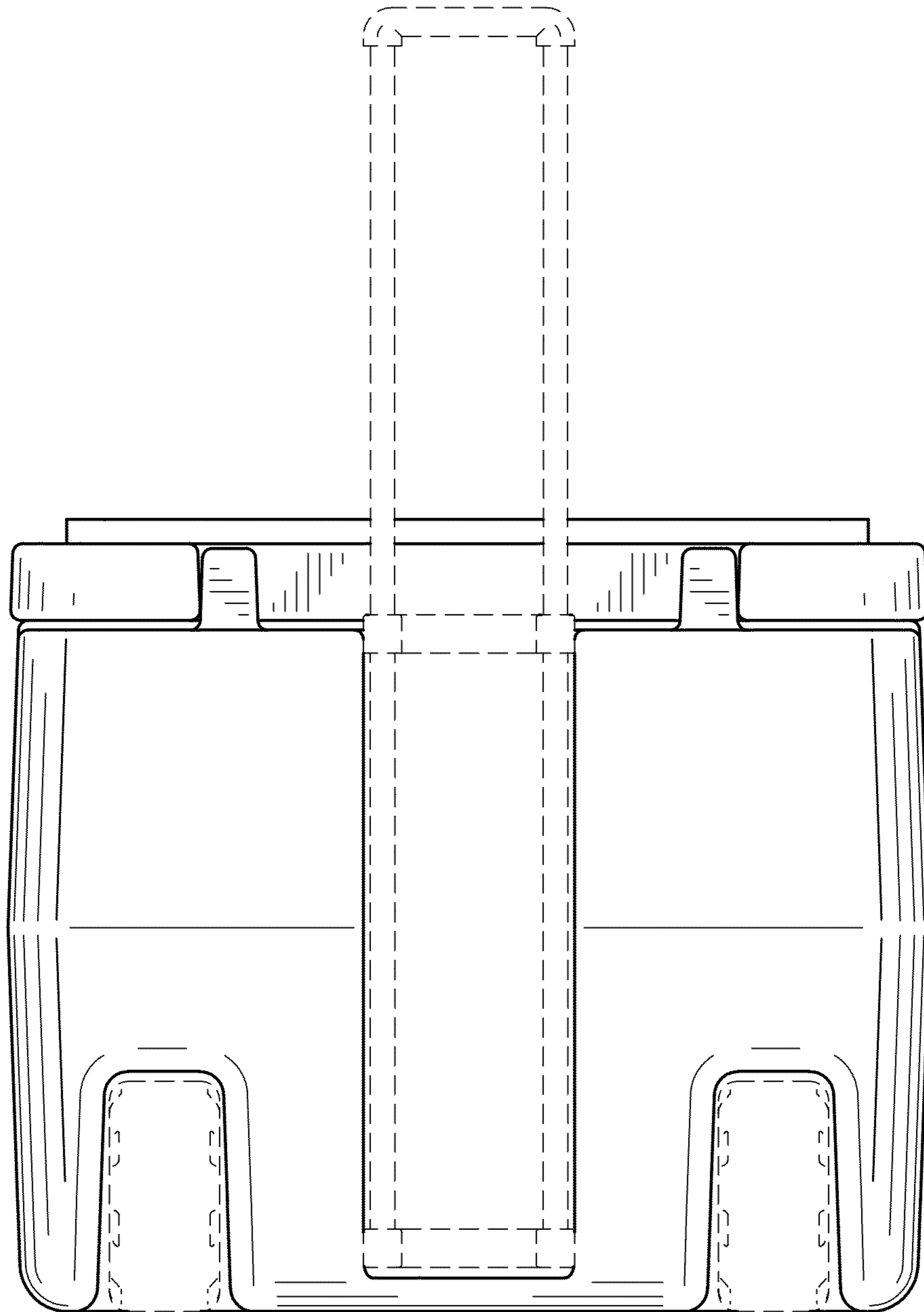


Fig. 4

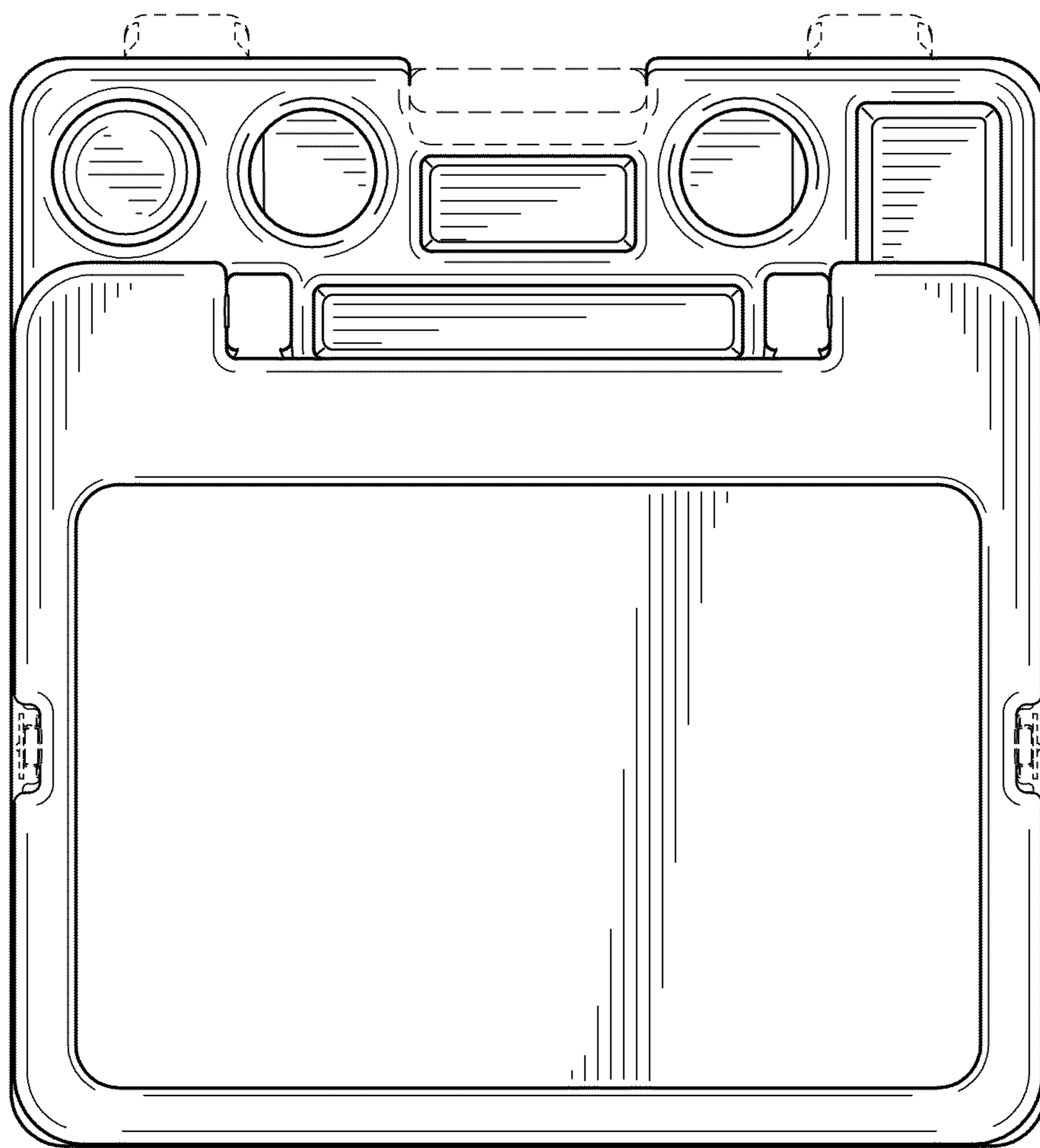


Fig. 5

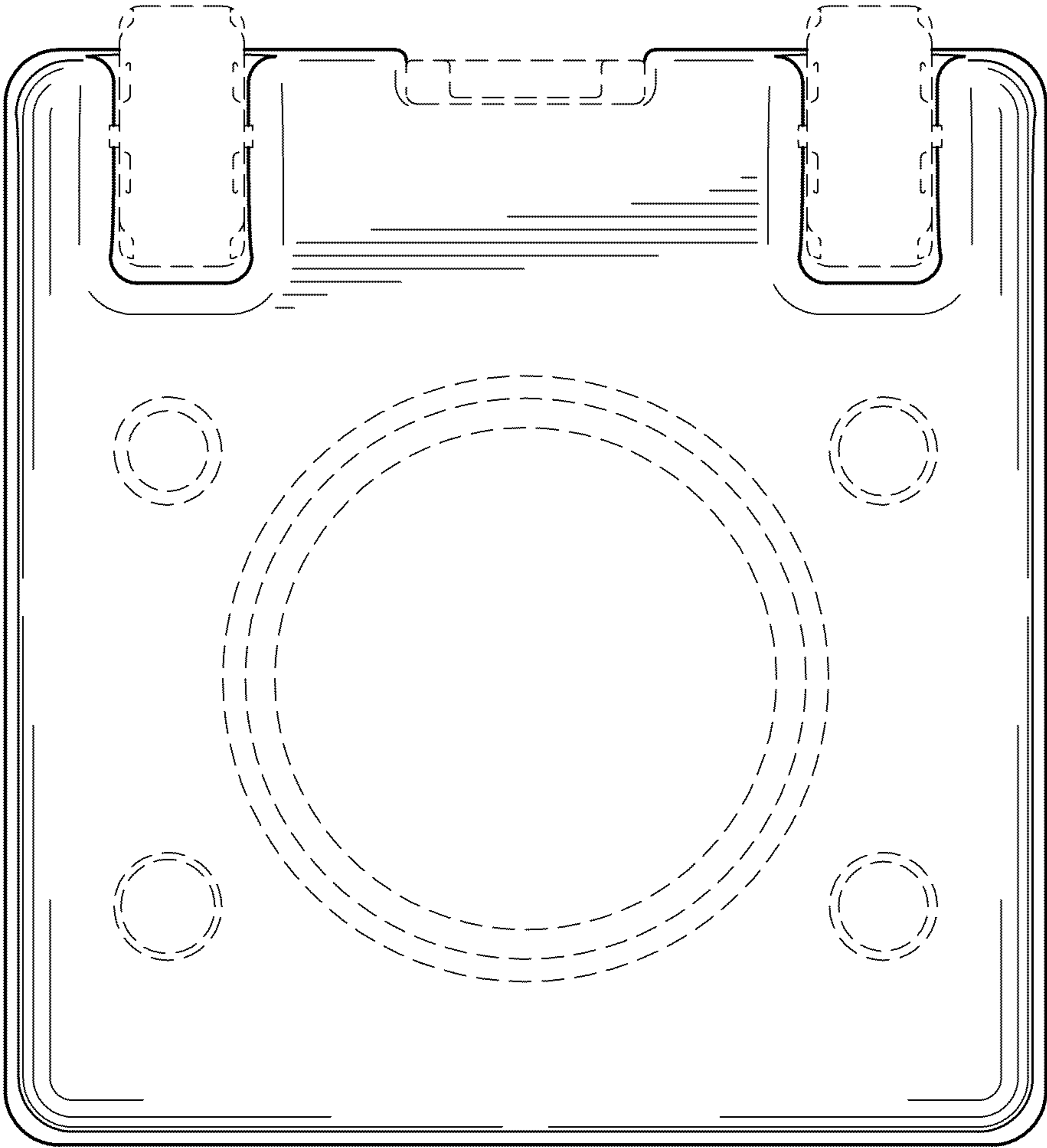


Fig. 6