



US00D758065S

(12) **United States Design Patent**
Zwetzig et al.

(10) **Patent No.:** **US D758,065 S**
(45) **Date of Patent:** **** Jun. 7, 2016**

(54) **PROTECTIVE CASE**

(71) Applicant: **Thule Organization Solutions, Inc.**,
Niwot, CO (US)

(72) Inventors: **Nathan Roger Zwetzig**, Westminister,
CO (US); **Daniel Logan Chaney**,
Boulder, CO (US)

(73) Assignee: **Thule Organization Solutions, Inc.**,
Niwot, CO (US)

(**) Term: **14 Years**

(21) Appl. No.: **29/504,446**

(22) Filed: **Oct. 6, 2014**

Related U.S. Application Data

(63) Continuation-in-part of application No. 29/501,617,
filed on Sep. 5, 2014.

(51) **LOC (10) Cl.** **03-01**

(52) **U.S. Cl.**
USPC **D3/201**

(58) **Field of Classification Search**
USPC D3/201, 272-273, 276, 294, 302, 903,
D3/905; D9/504; D7/600-602, 605-606,
D7/609; D28/83; 220/326, 328
CPC .. B65D 21/0219; B65D 43/022; B65D 45/22;
B65D 55/06
See application file for complete search history.

(56) **References Cited**

U.S. PATENT DOCUMENTS

D147,305 S * 8/1947 Sloan D3/302
D464,196 S * 10/2002 Parker D3/201
D465,330 S * 11/2002 Parker D3/201

D489,530 S * 5/2004 Lindsay D3/273
D653,450 S * 2/2012 Walter D3/302
D668,866 S * 10/2012 Meng D3/273
8,887,949 B2 * 11/2014 Tuan A45C 13/1084
220/326

OTHER PUBLICATIONS

U.S. Appl. No. 29/501,617, filed Sep. 5, 2014, Zwetzig.

* cited by examiner

Primary Examiner — Catheri Oliver-Garcia

(74) *Attorney, Agent, or Firm* — Sheridan Ross P.C.

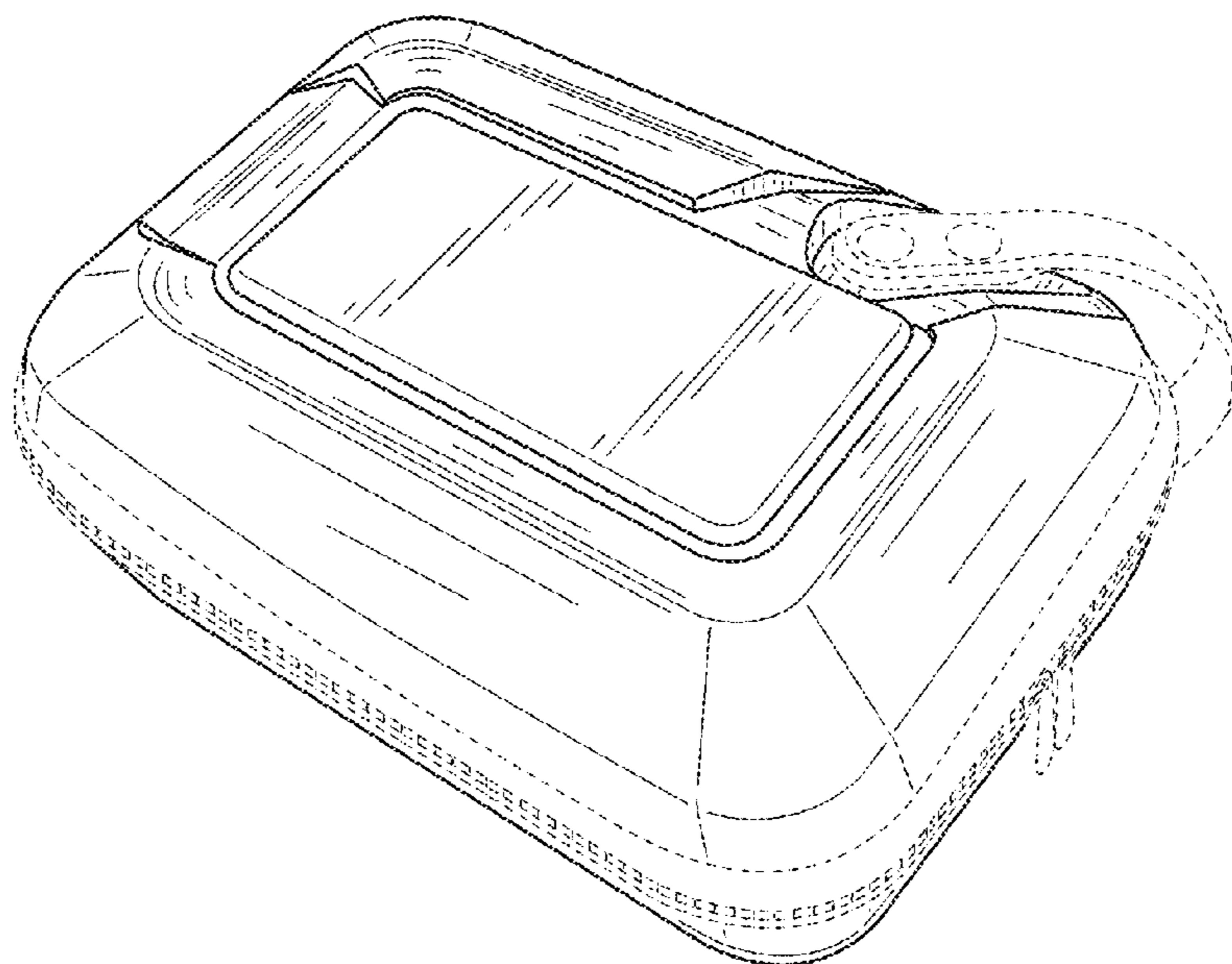
(57) **CLAIM**

The ornamental design for a protective case, as shown and described.

DESCRIPTION

FIG. 1 is a front perspective view of a protective case;
FIG. 2 is a front elevation view thereof;
FIG. 3 is a rear elevation view thereof;
FIG. 4 is a right elevation view thereof;
FIG. 5 is a left elevation view thereof;
FIG. 6 is a top plan view thereof;
FIG. 7 is a bottom plan view thereof;
FIG. 8 is a front perspective view of a protective case accord-
ing to an alternative embodiment;
FIG. 9 is a front elevation view of the embodiment of FIG. 8;
FIG. 10 is a rear elevation view of the embodiment of FIG. 8;
FIG. 11 is a right elevation view of the embodiment of FIG. 8;
FIG. 12 is a left elevation view of the embodiment of FIG. 8;
FIG. 13 is a top plan view of the embodiment of FIG. 8; and,
FIG. 14 is a bottom plan view of the embodiment of FIG. 8.
The broken lines showing portions of the protective case are
provided for the purpose of illustrating environment and form
no part of the claim.

1 Claim, 10 Drawing Sheets



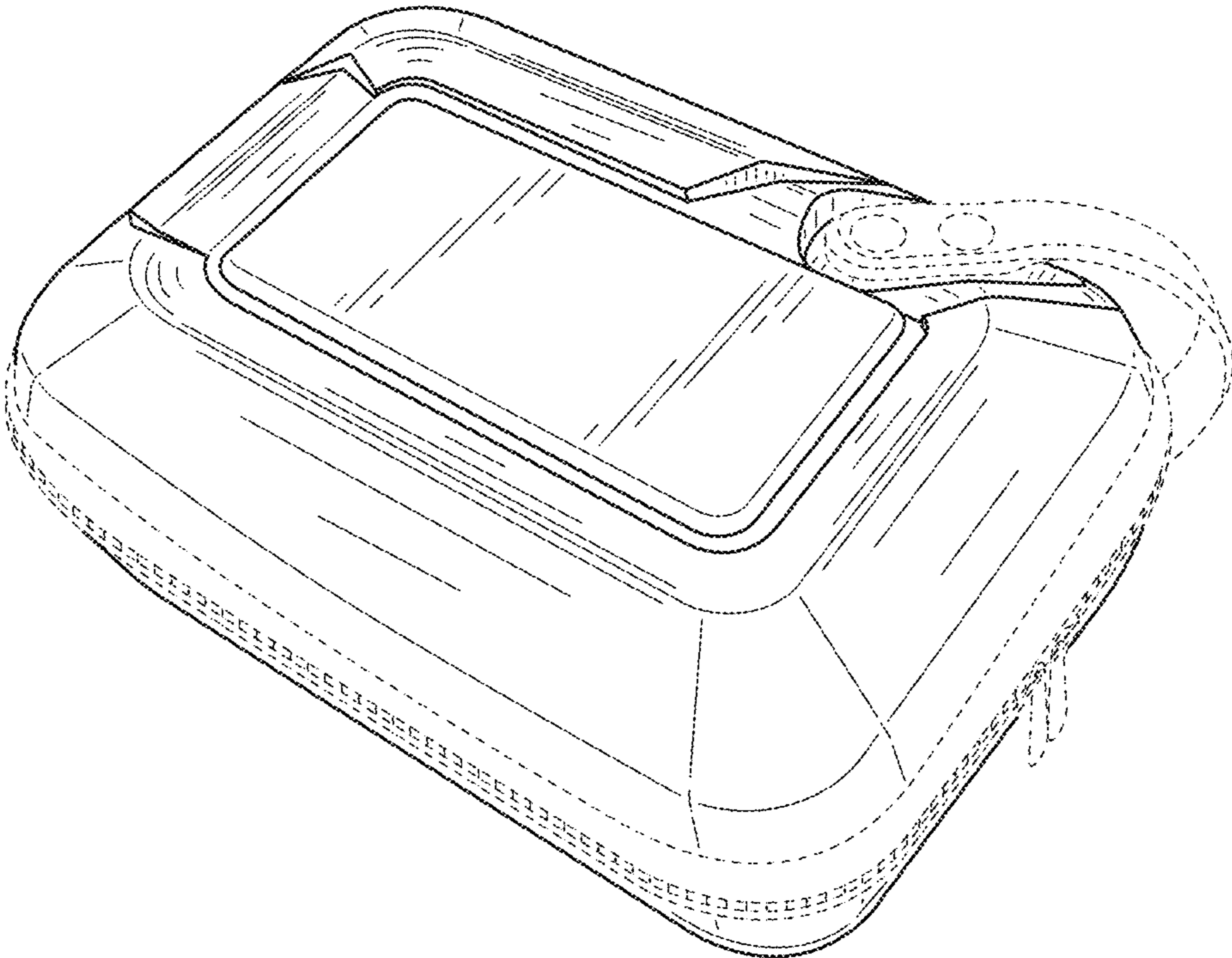


FIG.1

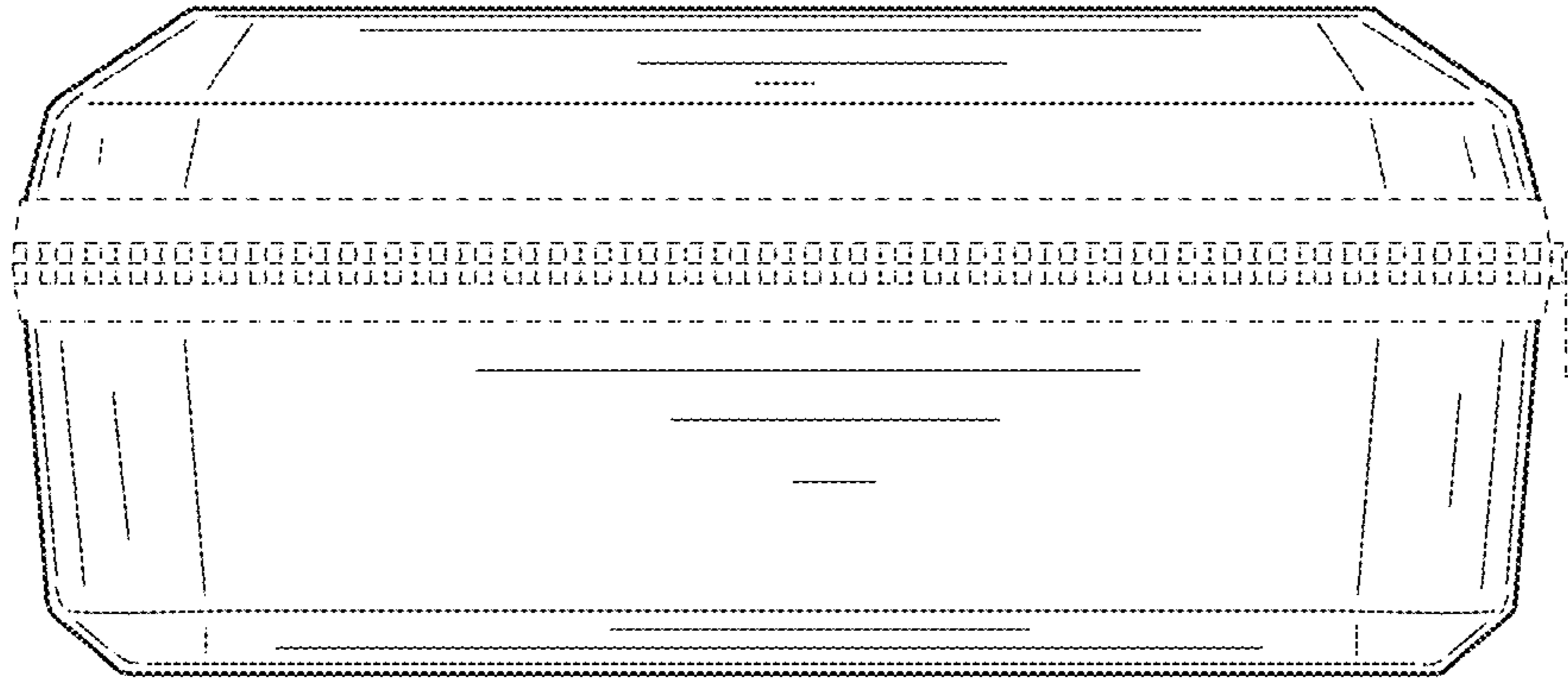


FIG. 2

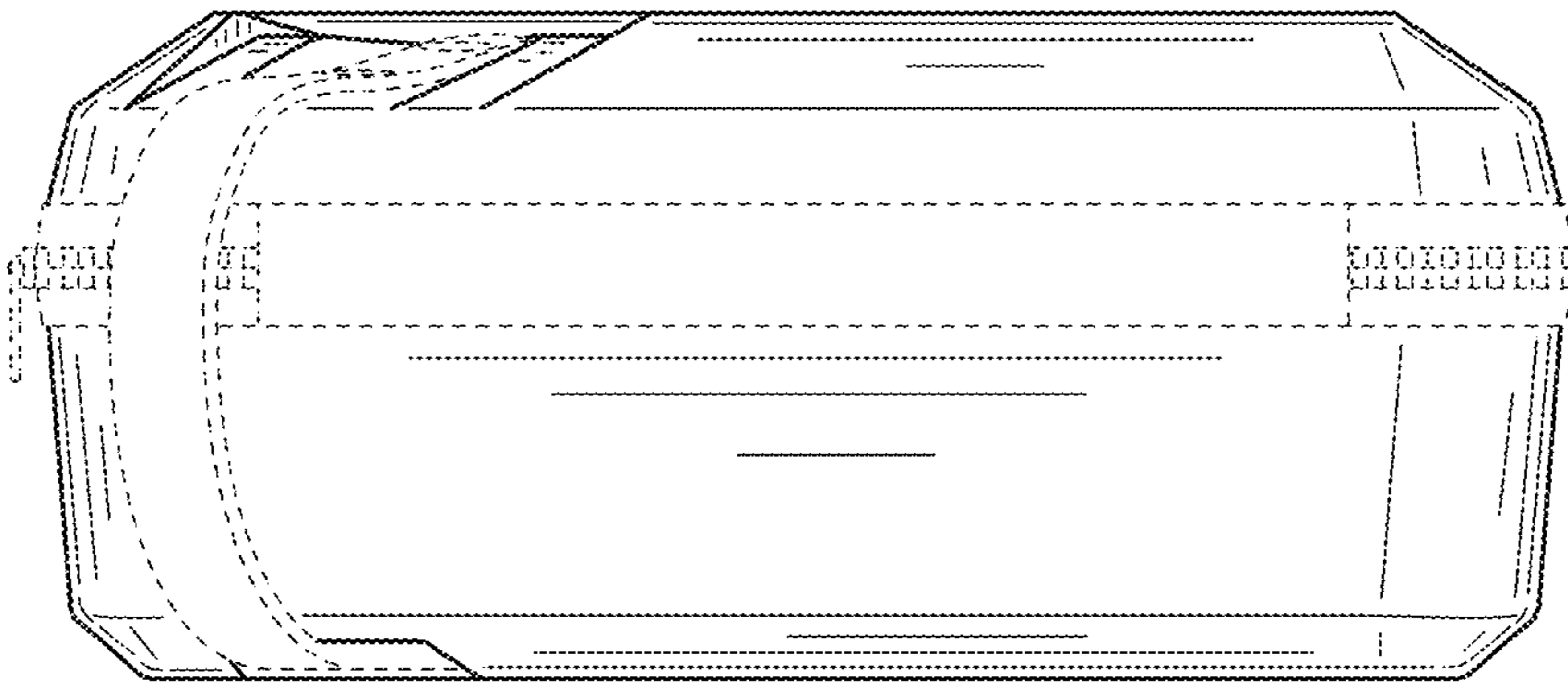


FIG. 3

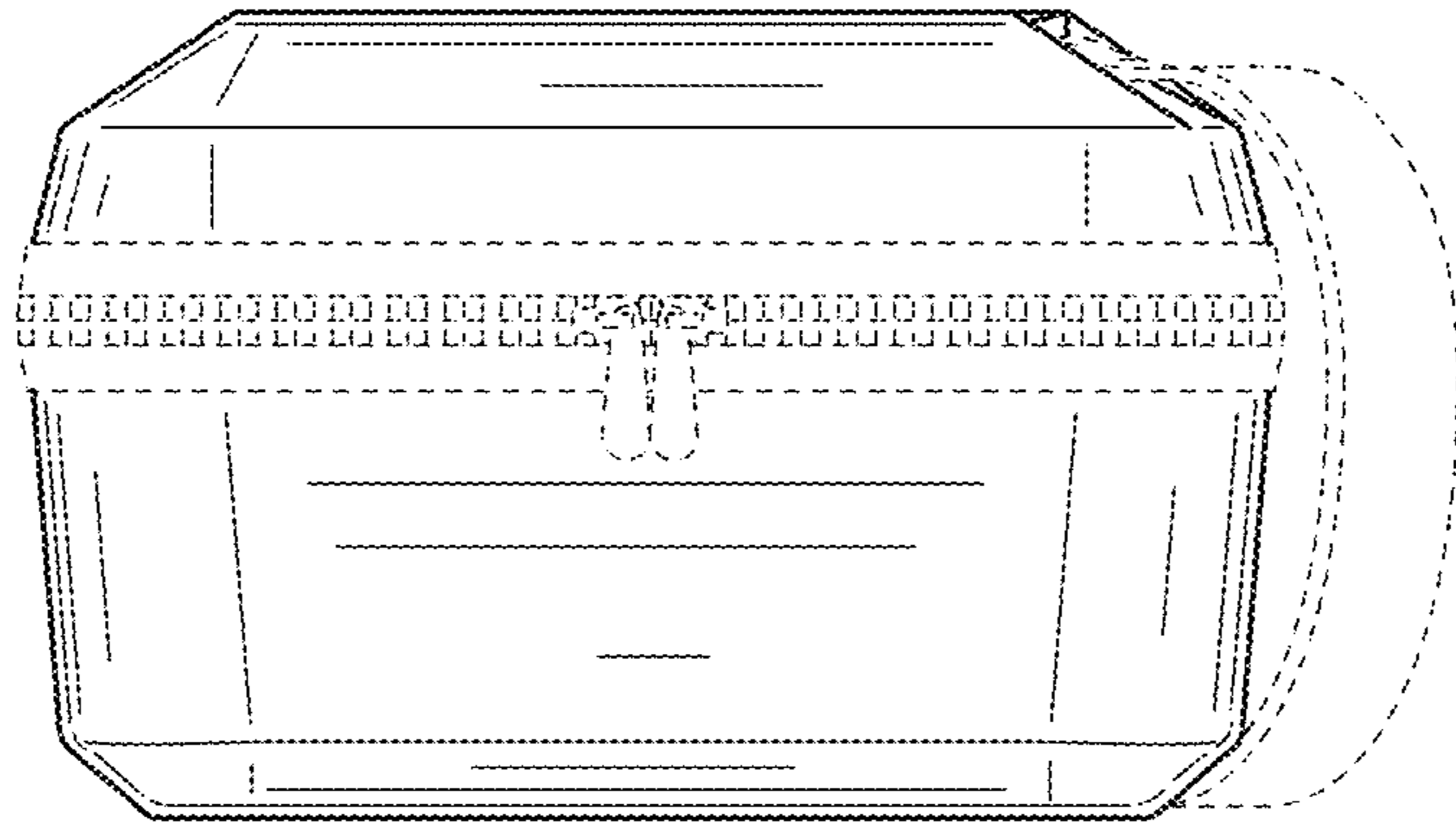


FIG. 4

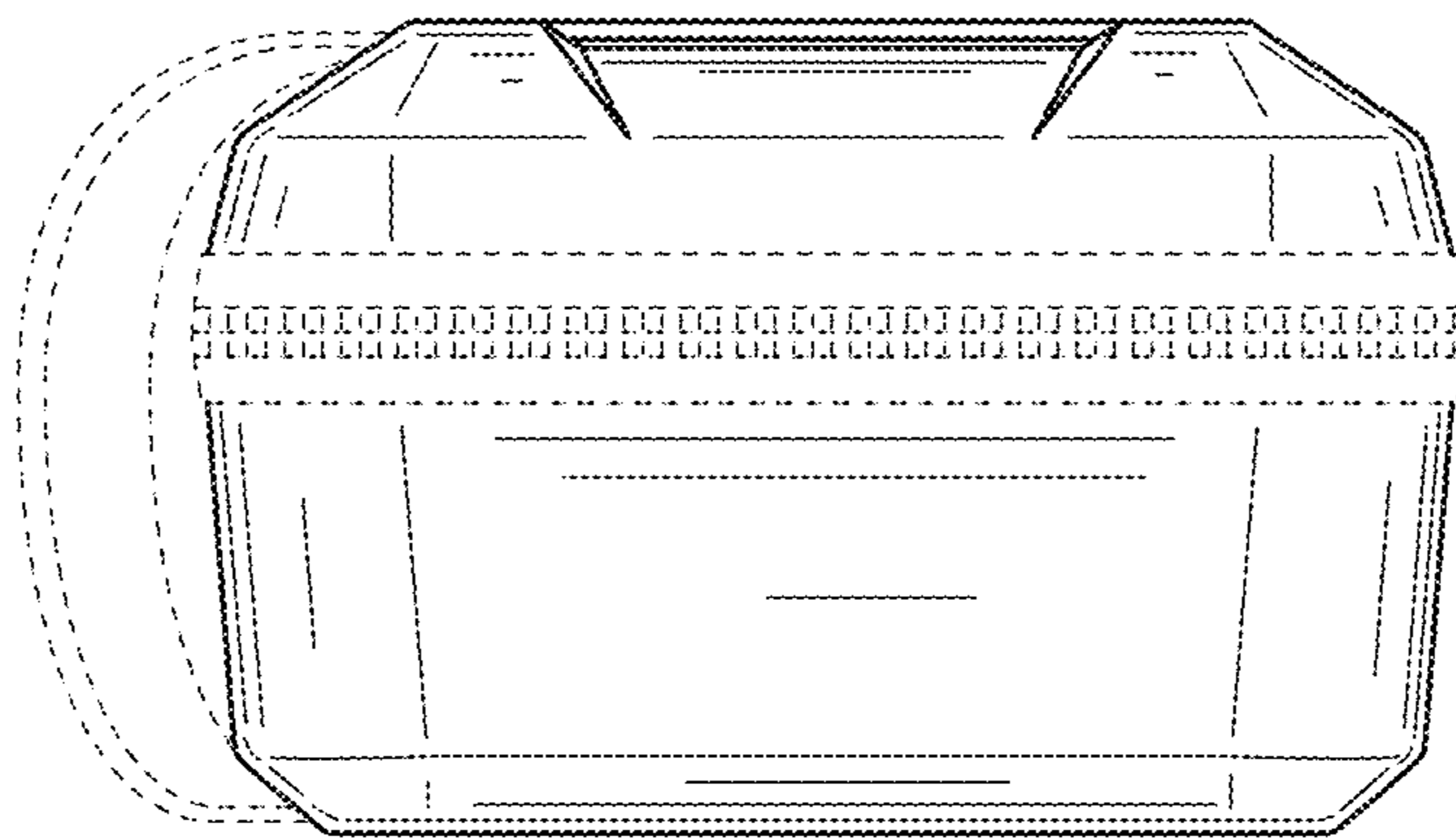


FIG. 5

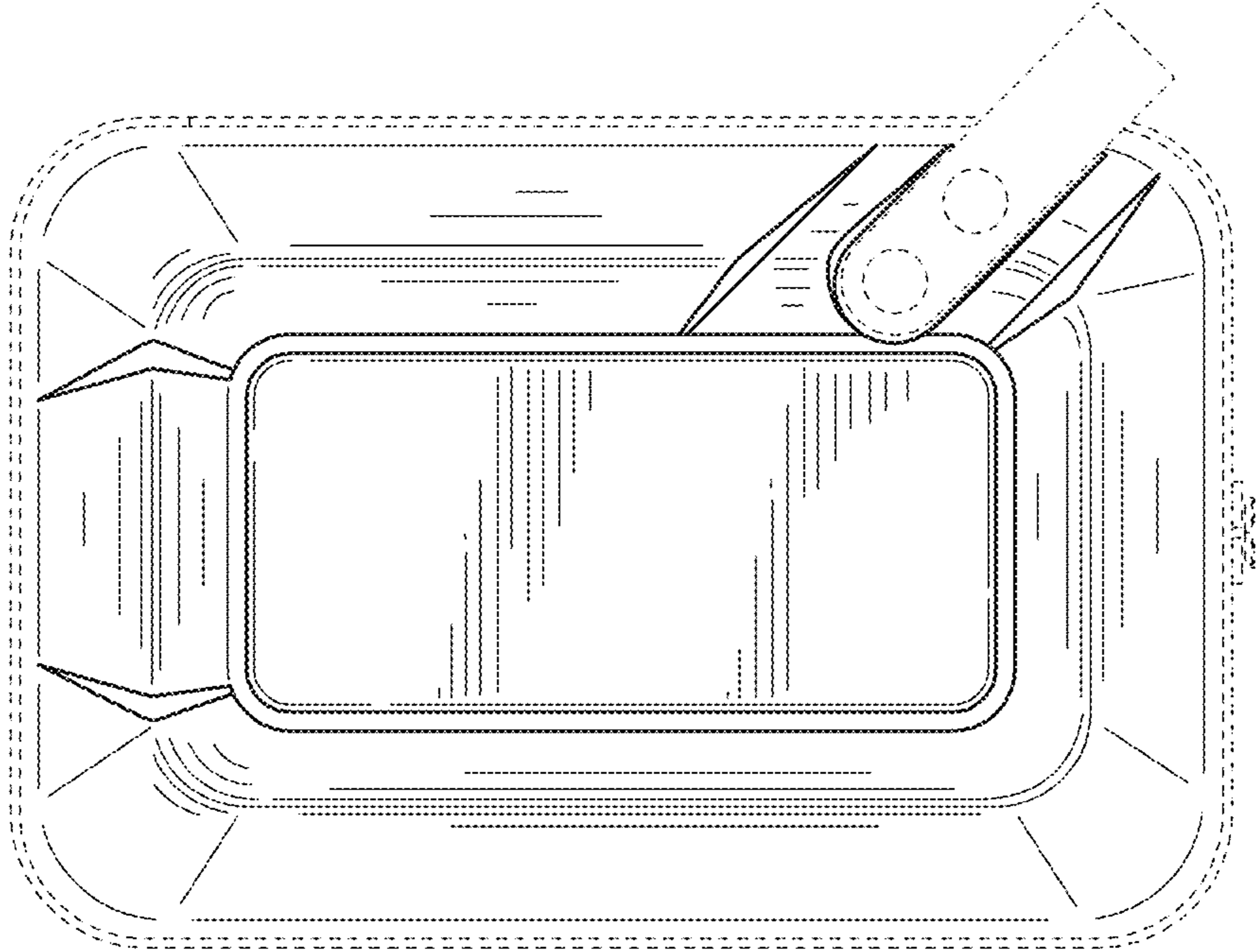


FIG.6

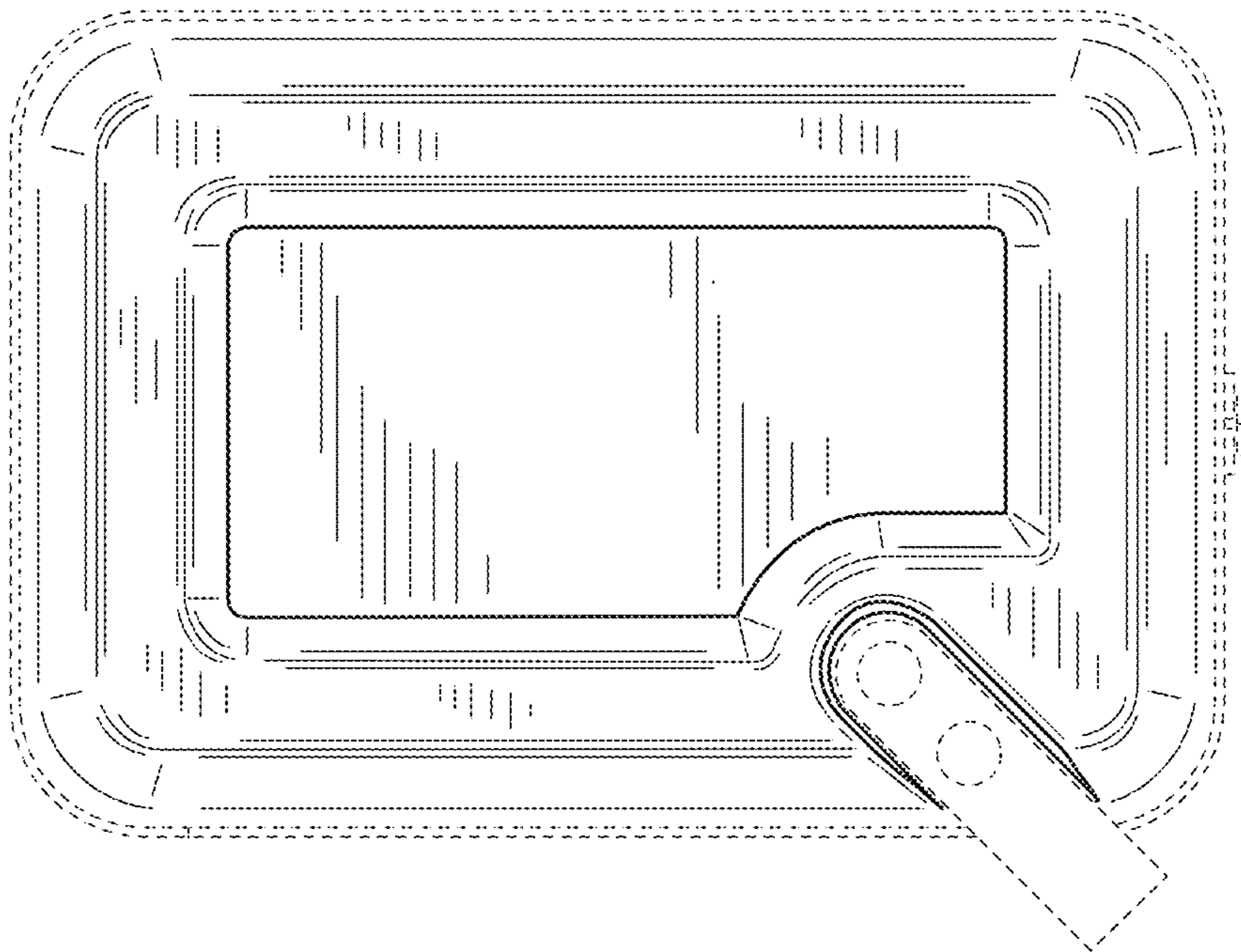


FIG. 7

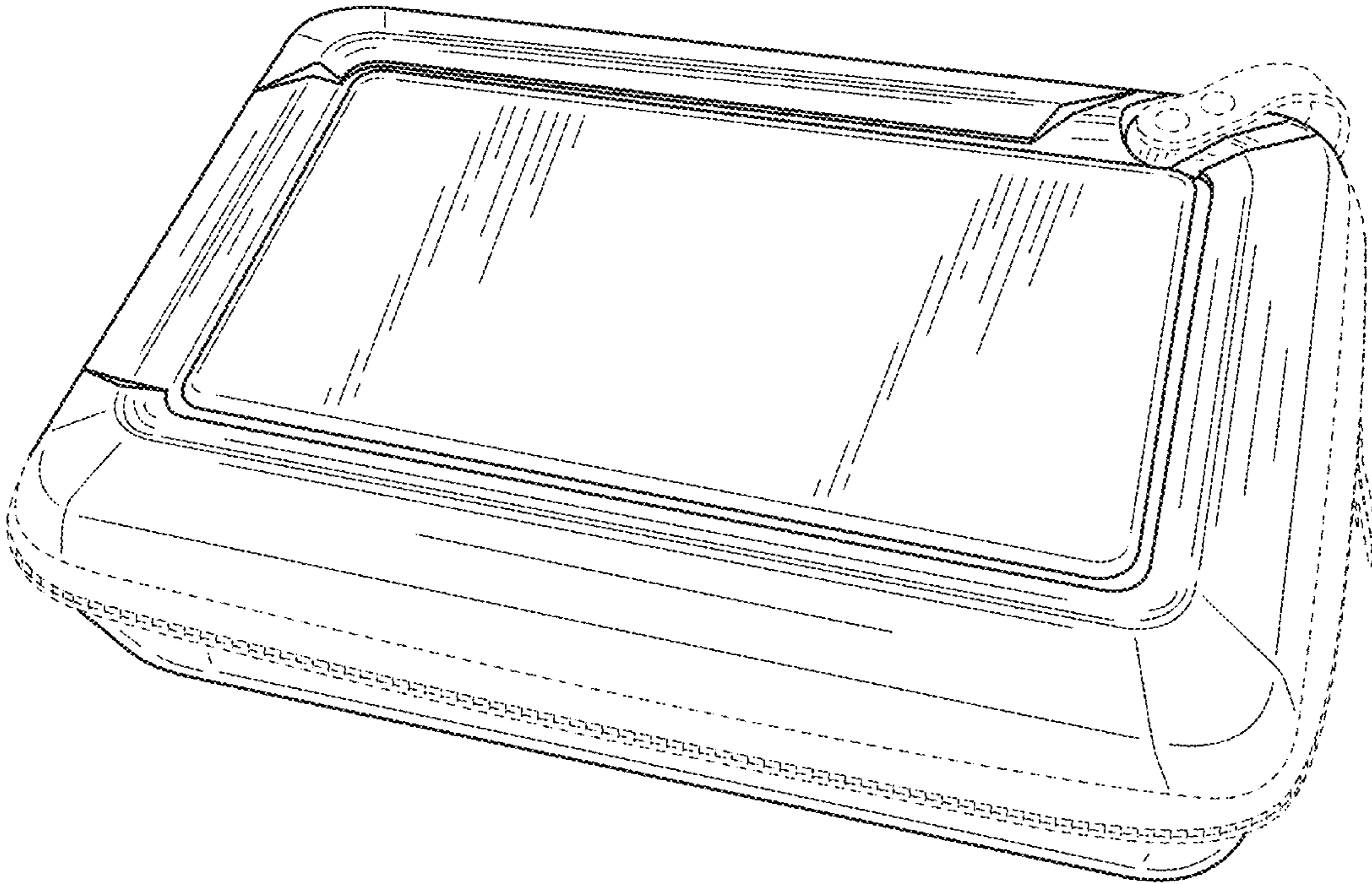


FIG.8

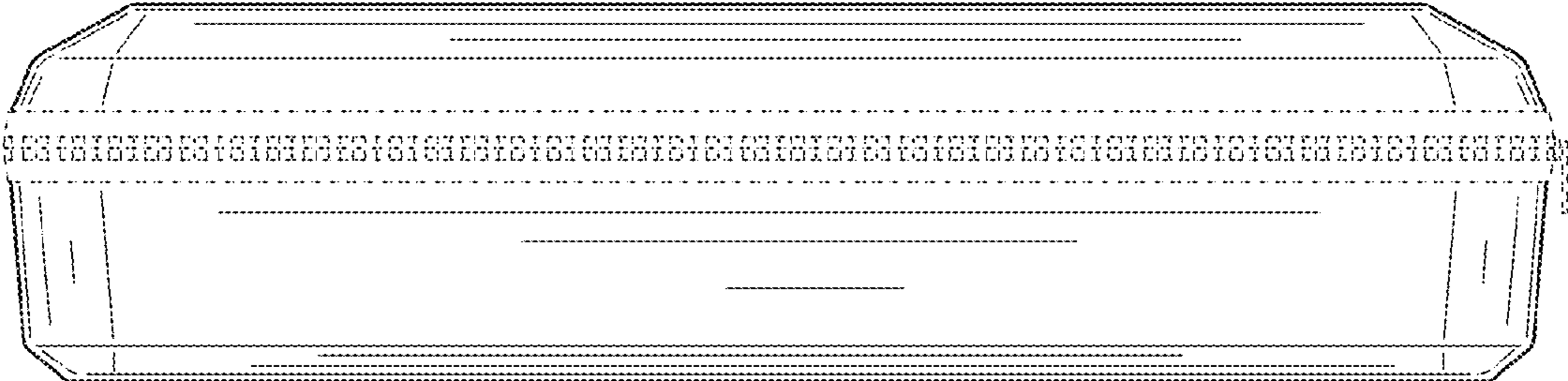


FIG. 9

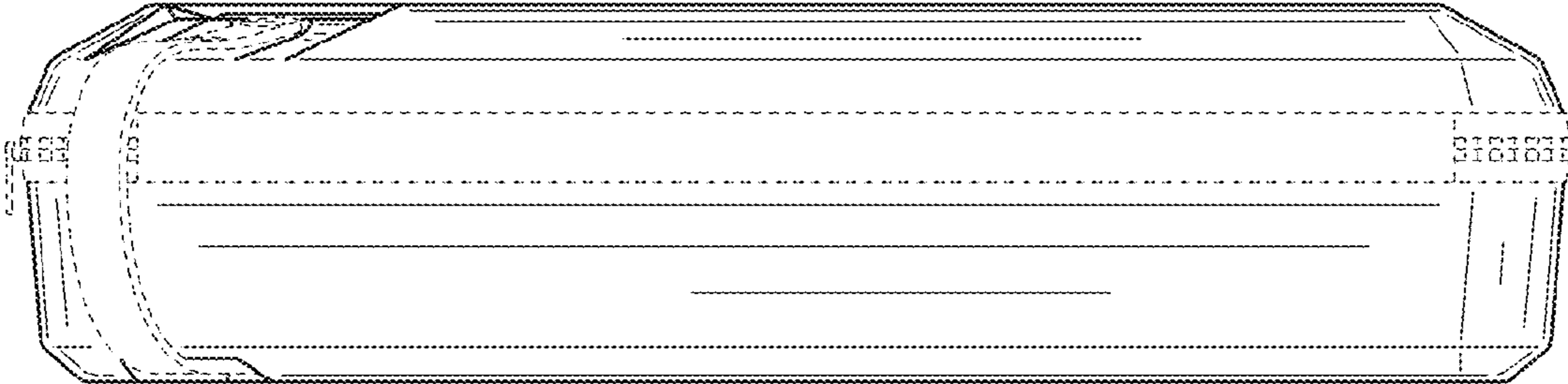


FIG. 10

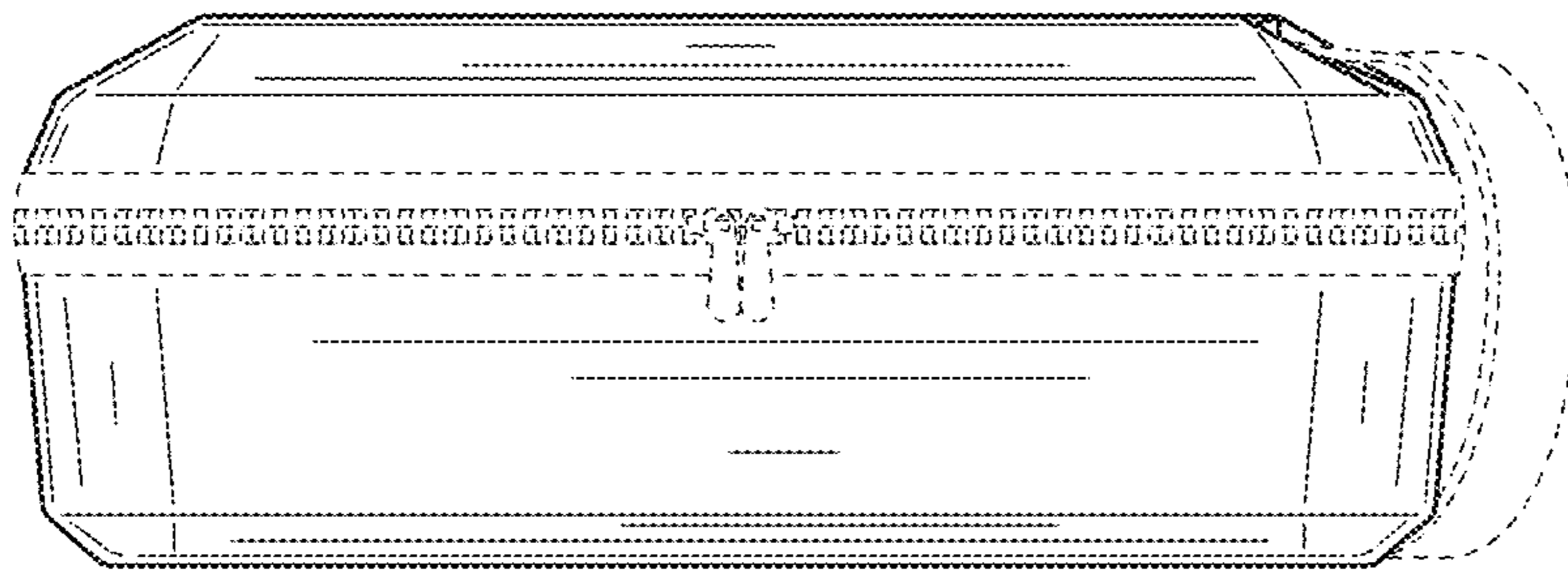


FIG. 11

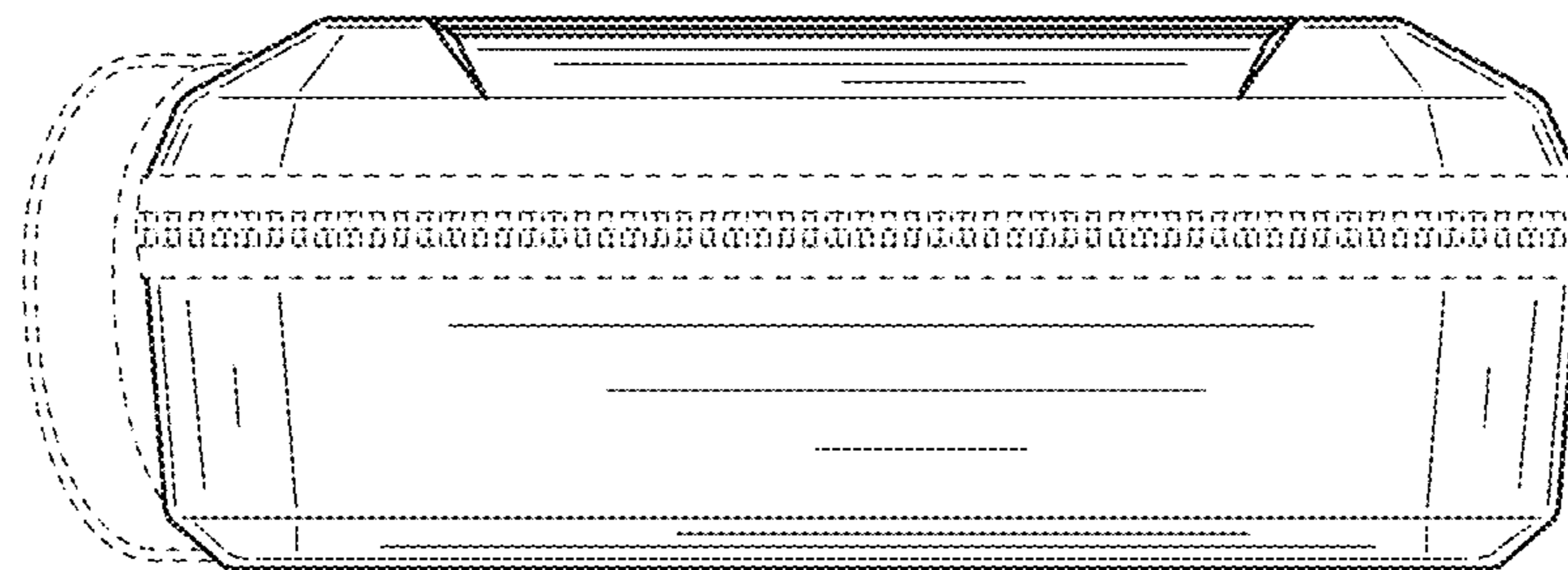


FIG. 12

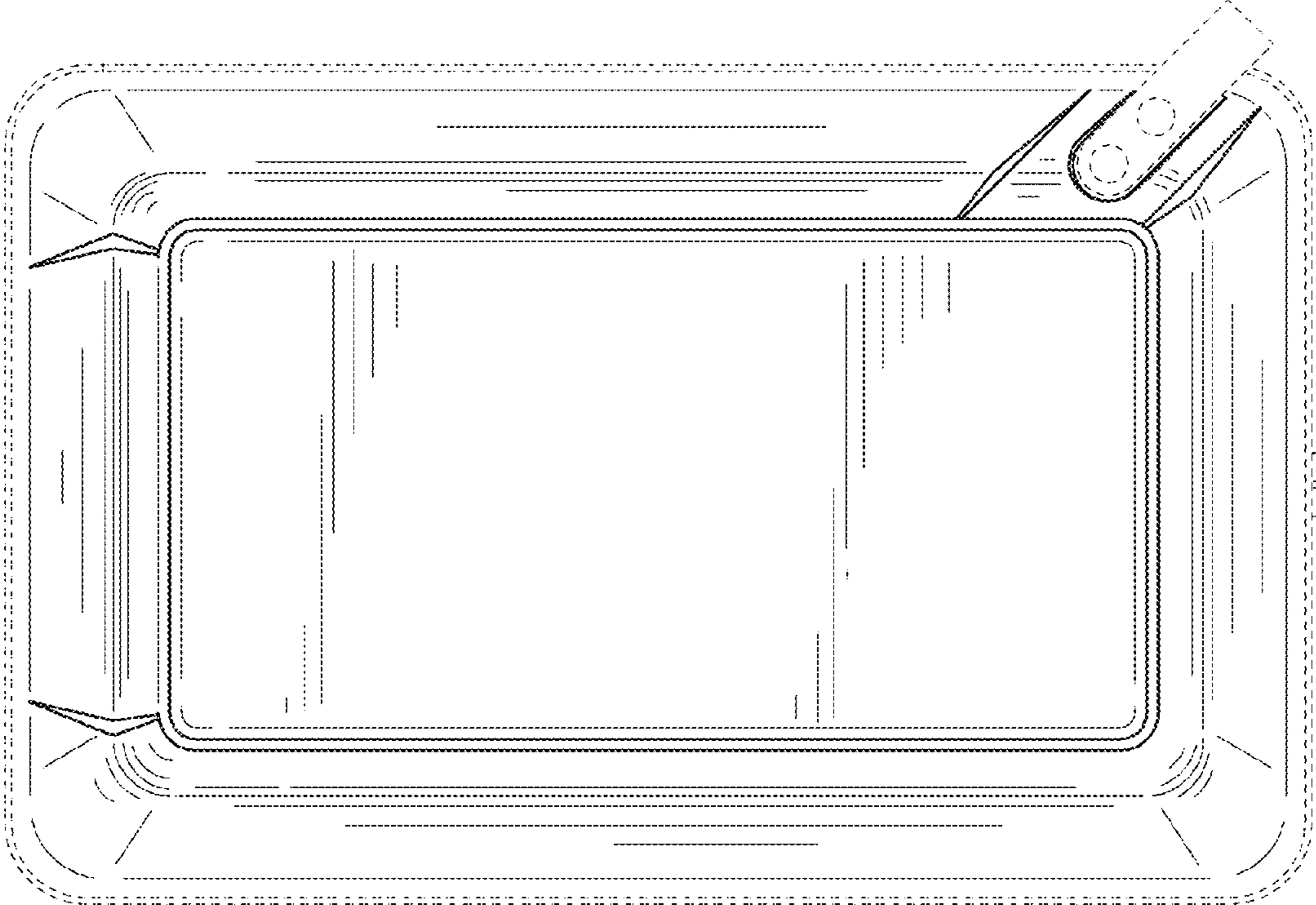


FIG.13

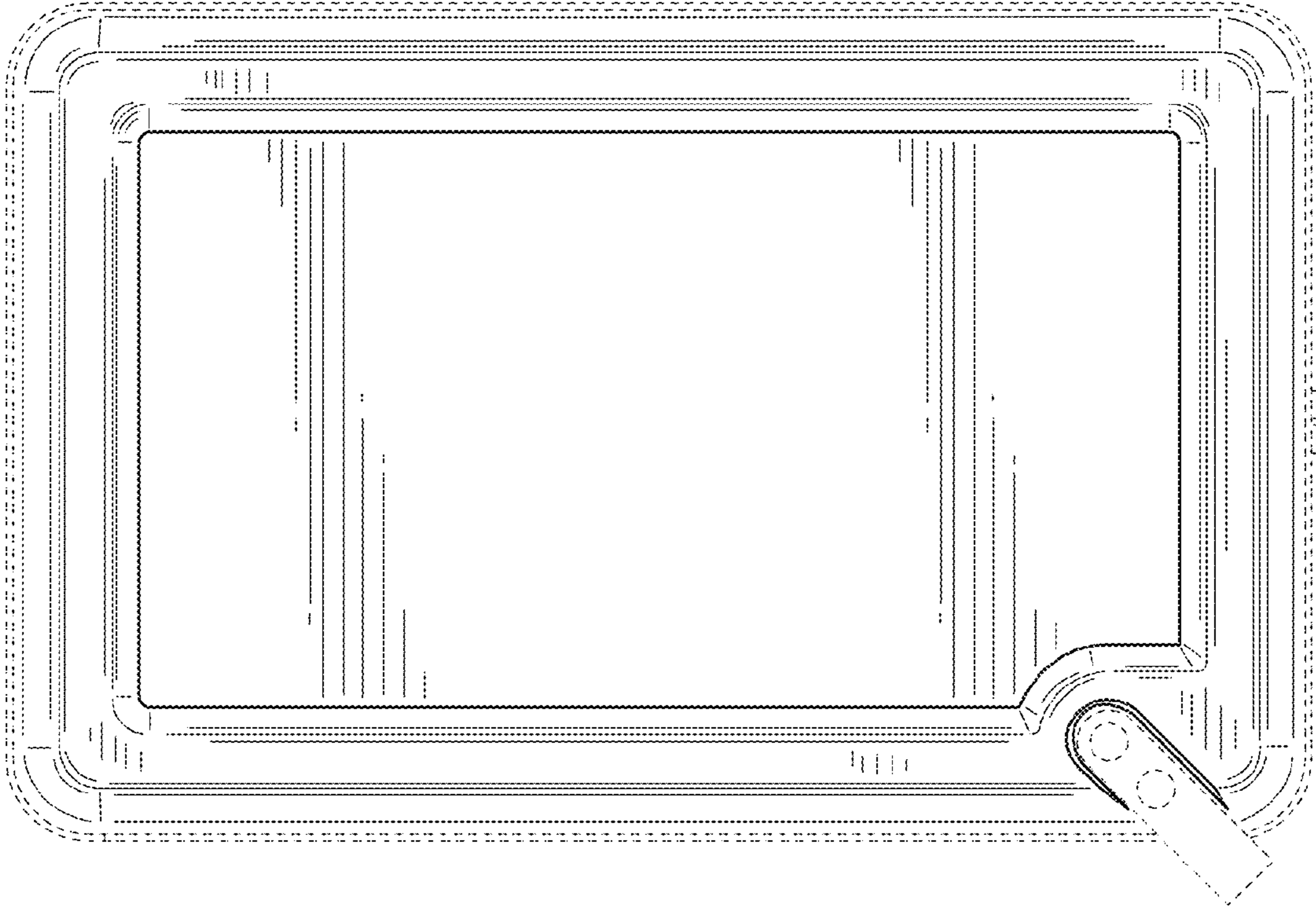


FIG.14