



US00D758064S

(12) **United States Design Patent**
Zwetzig et al.

(10) **Patent No.:** **US D758,064 S**
(45) **Date of Patent:** **** Jun. 7, 2016**

(54) **PROTECTIVE CASE**

- (71) Applicant: **Thule Organization Solutions, Inc.**,
Niwot, CO (US)
- (72) Inventors: **Nathan Roger Zwetzig**, Westminister,
CO (US); **Daniel Logan Chaney**,
Boulder, CO (US)
- (73) Assignee: **Thule Organization Solutions, Inc.**,
Niwot, CO (US)
- (**) Term: **14 Years**

(21) Appl. No.: **29/501,617**

(22) Filed: **Sep. 5, 2014**

(51) **LOC (10) Cl.** **03-01**

(52) **U.S. Cl.**
USPC **D3/201**

(58) **Field of Classification Search**
USPC D3/172–273, 276, 294, 302, 903, 905;
D9/504; D7/600–602, 605–606;
D28/83; 220/328, 378
CPC .. B65D 21/0219; B65D 43/022; B65D 45/22;
B65D 55/06; A45C 13/1084
See application file for complete search history.

(56) **References Cited**

U.S. PATENT DOCUMENTS

D147,305 S *	8/1947	Sloan	D3/302
D464,196 S *	10/2002	Parker	D3/201
D465,330 S *	11/2002	Parker	D3/201
D489,530 S *	5/2004	Lindsay	D3/273
D653,450 S *	2/2012	Walter	D3/302
8,887,949 B2 *	11/2014	Tuan	A45C 13/1084 220/326

OTHER PUBLICATIONS

U.S. Appl. No. 29/504,446, filed Oct. 6, 2014, Zwetzig.

* cited by examiner

Primary Examiner — Catheri Oliver-Garcia

(74) *Attorney, Agent, or Firm* — Sheridan Ross P.C.

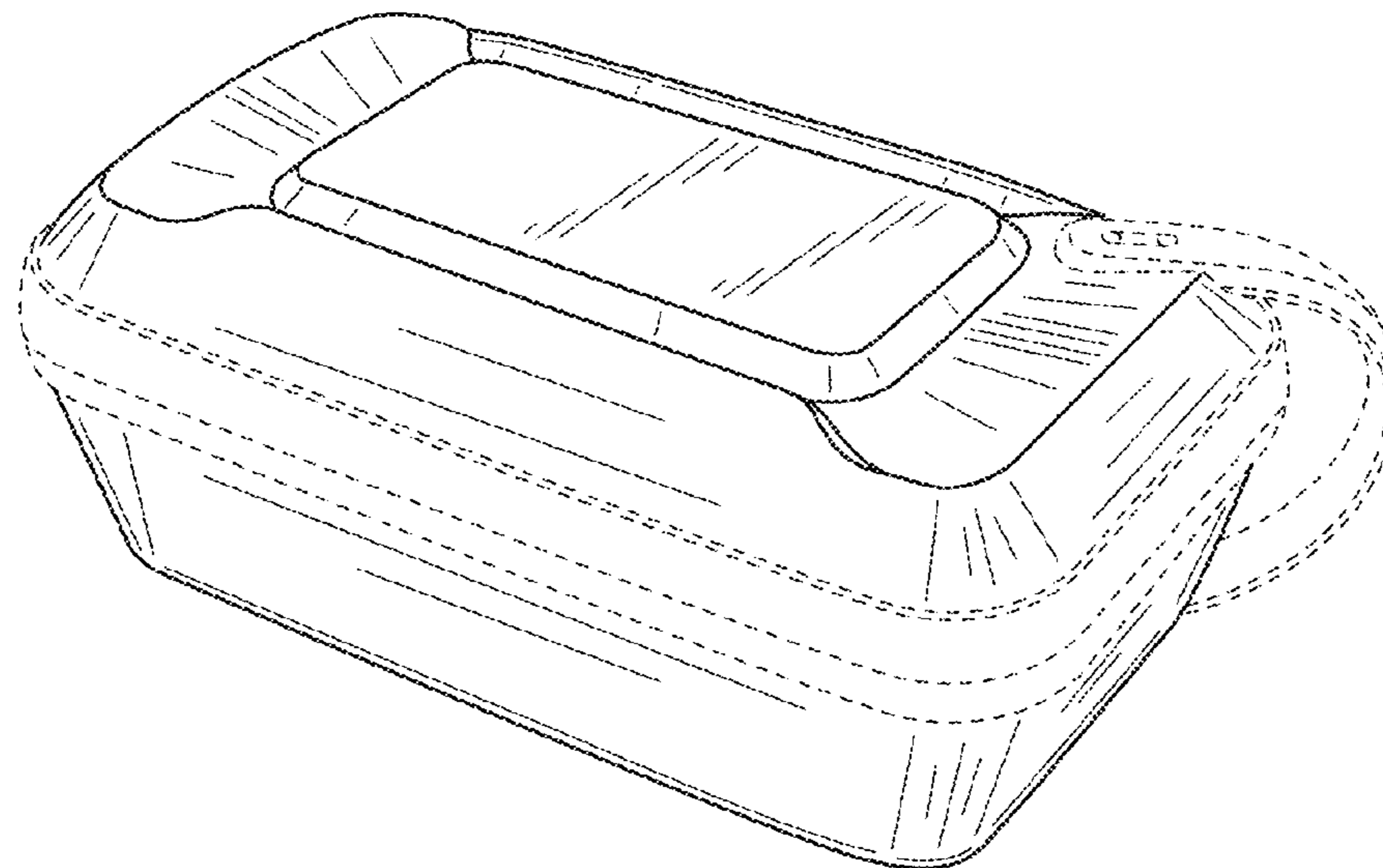
(57) **CLAIM**

The ornamental design for a protective case, as shown and described.

DESCRIPTION

FIG. 1 is a front perspective view of a protective case; FIG. 2 is a front elevation view thereof; FIG. 3 is a rear elevation view thereof; FIG. 4 is a right elevation view thereof; FIG. 5 is a left elevation view thereof; FIG. 6 is a top plan view thereof; FIG. 7 is a bottom plan view thereof; FIG. 8 is a front perspective view of a protective case according to an alternative embodiment; FIG. 9 is a front elevation view of the embodiment of FIG. 8; FIG. 10 is a rear elevation view of the embodiment of FIG. 8; FIG. 11 is a right elevation view of the embodiment of FIG. 8; FIG. 12 is a left elevation view of the embodiment of FIG. 8; FIG. 13 is a top plan view of the embodiment of FIG. 8; and, FIG. 14 is a bottom plan view of the embodiment of FIG. 8. The broken lines showing portions of the protective case are provided for the purpose of illustrating environment and form no part of the claim.

1 Claim, 9 Drawing Sheets



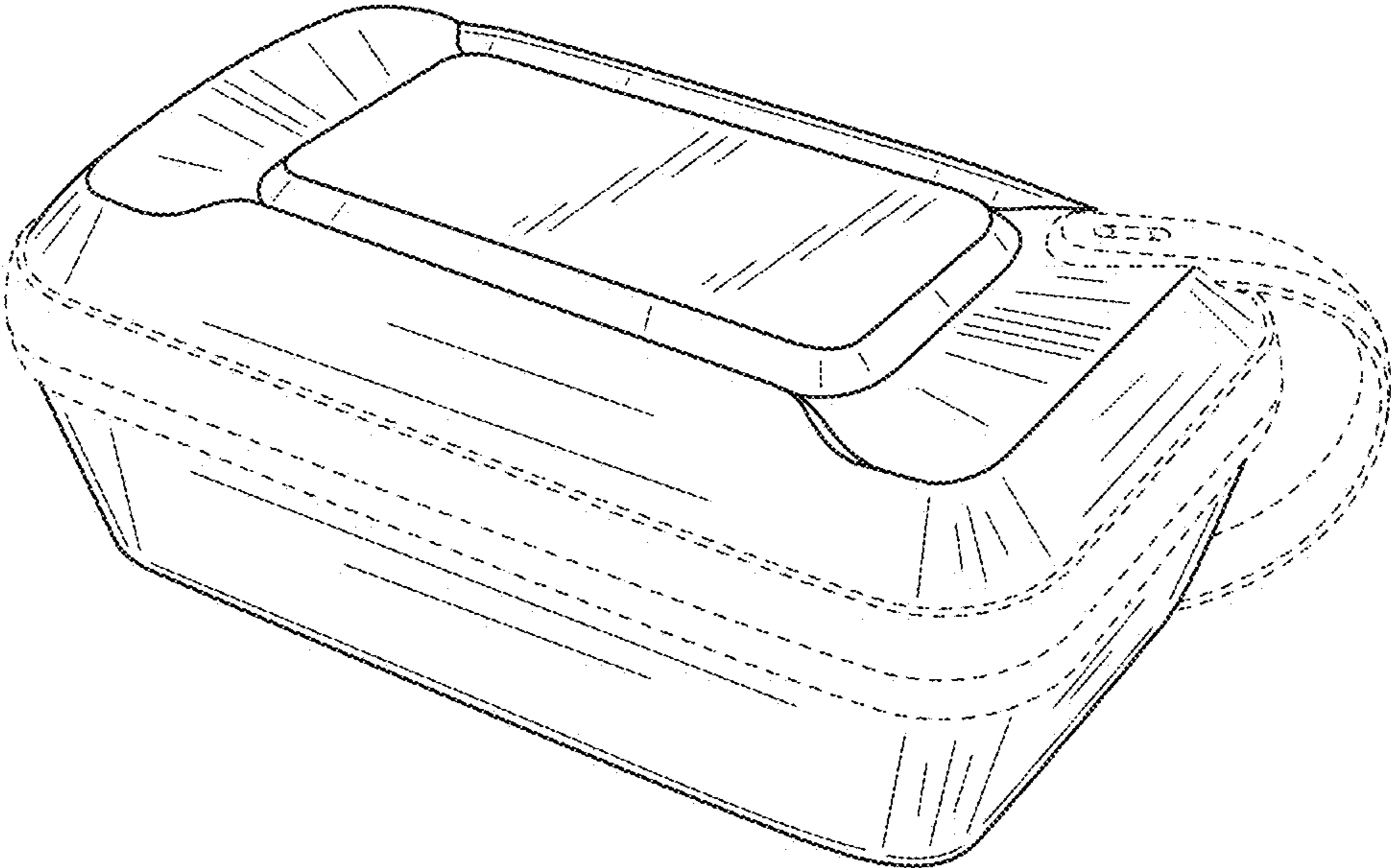


FIG.1

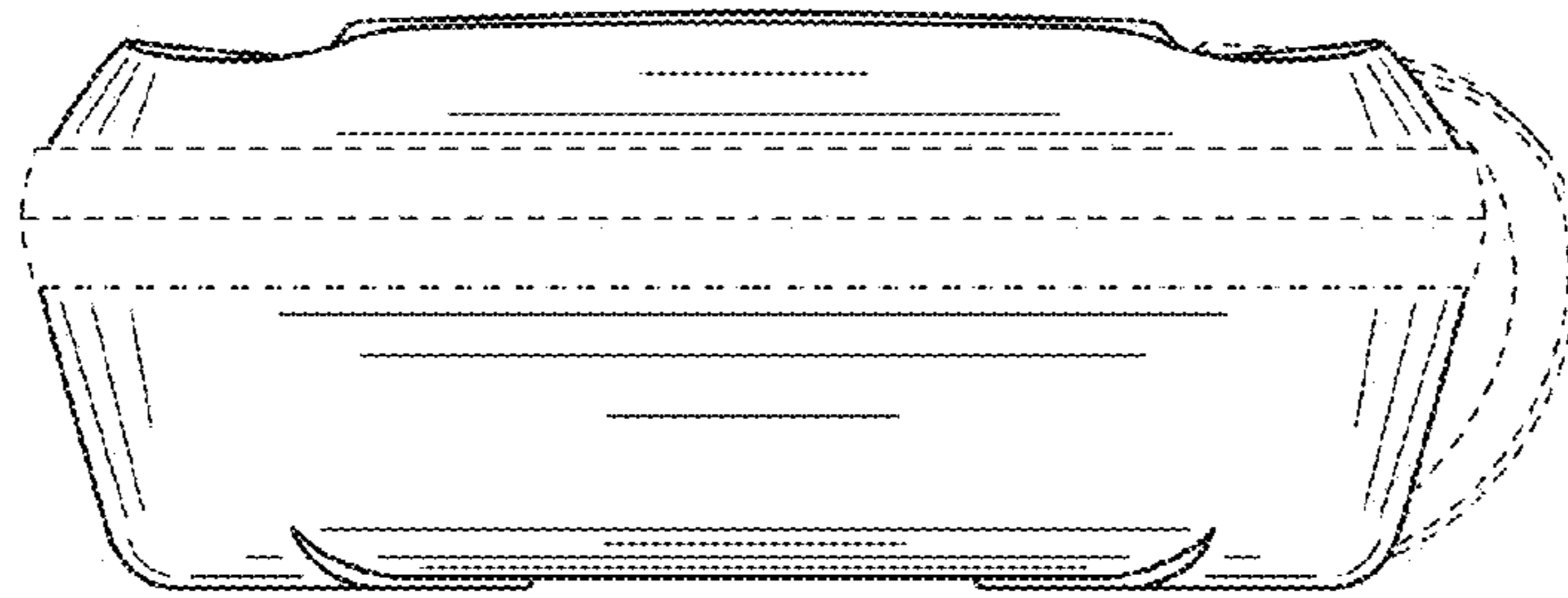


FIG. 2

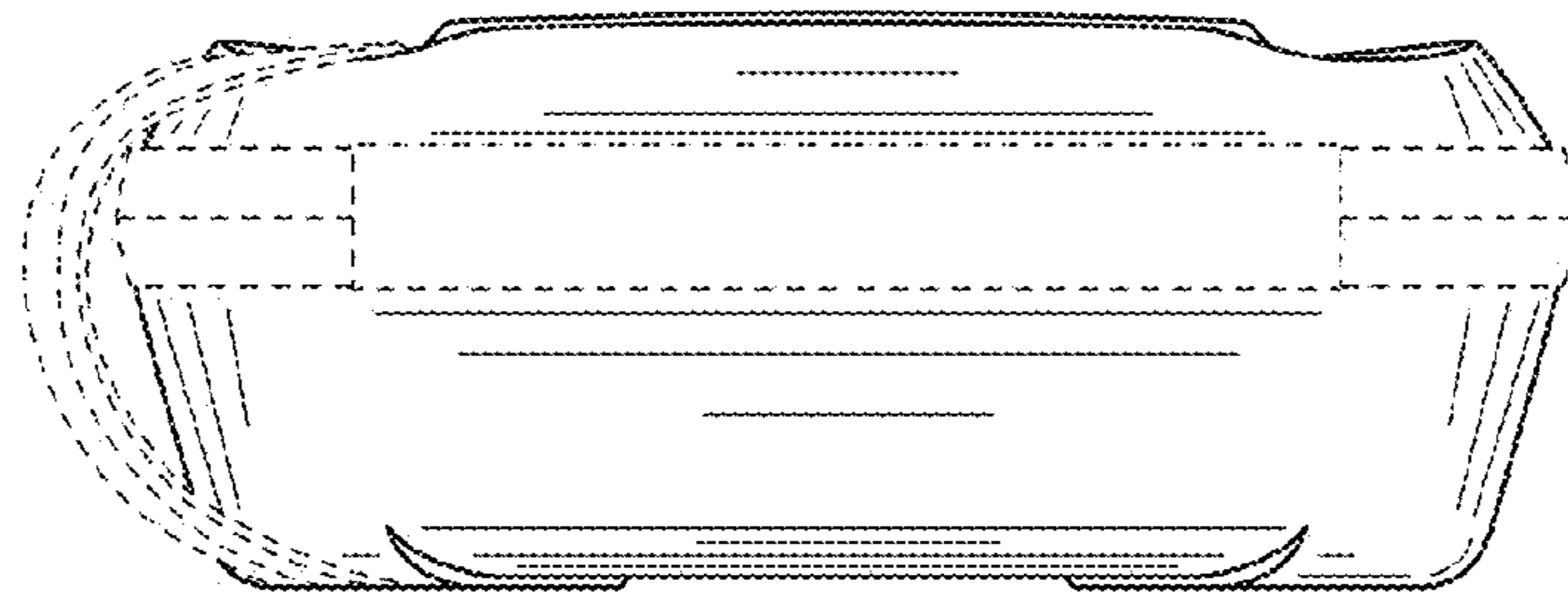


FIG. 3

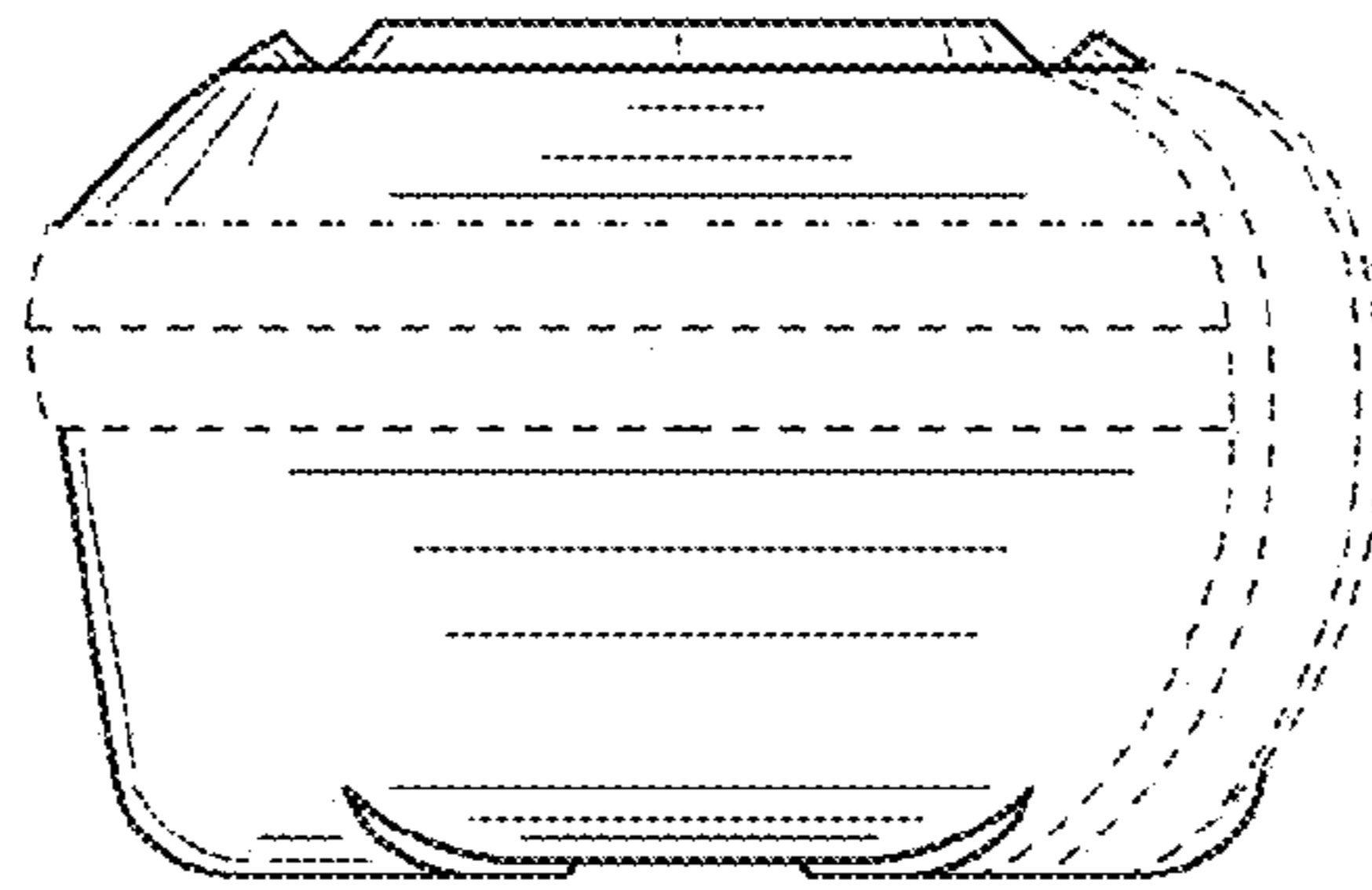


FIG. 4

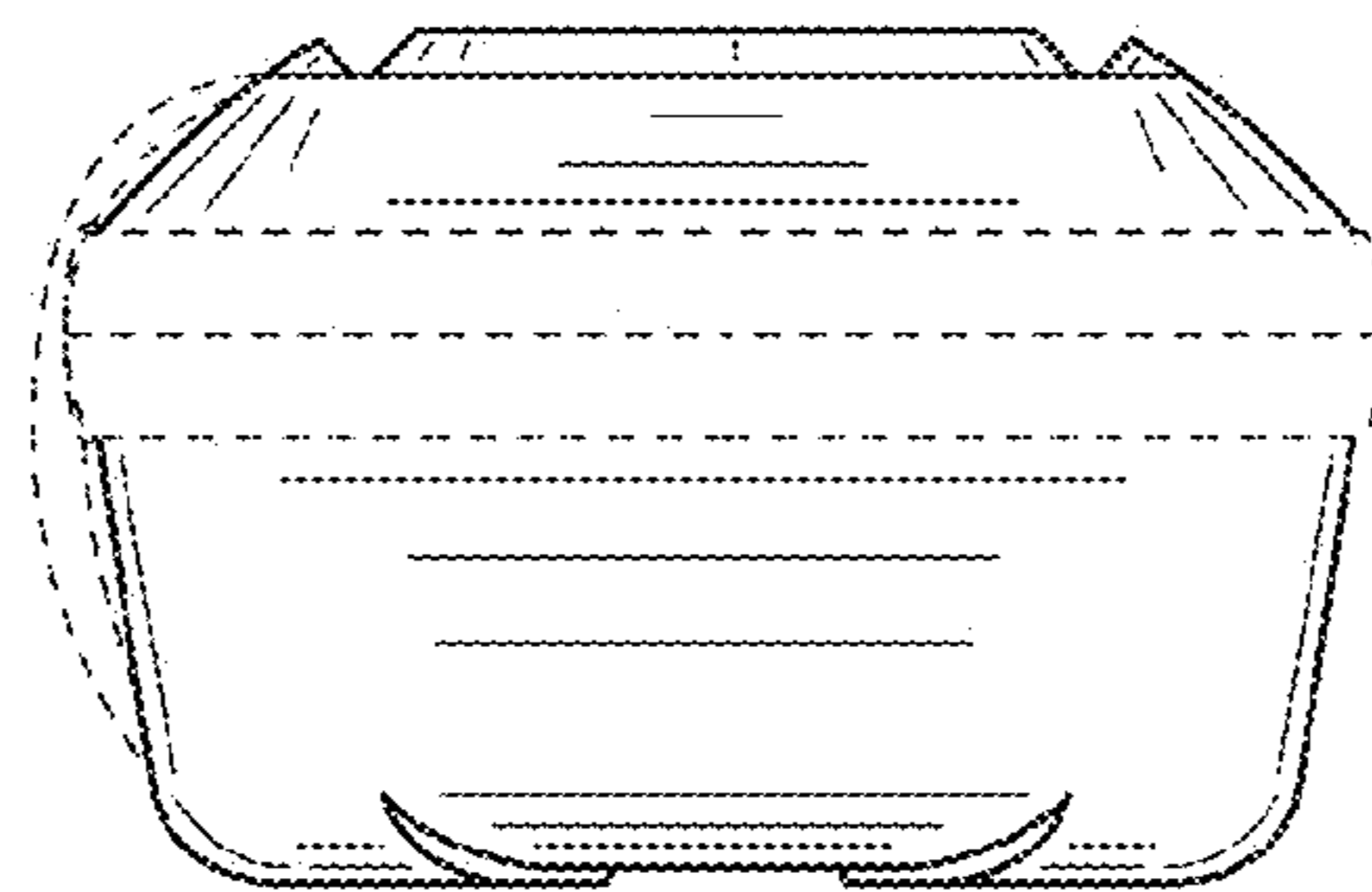


FIG. 5

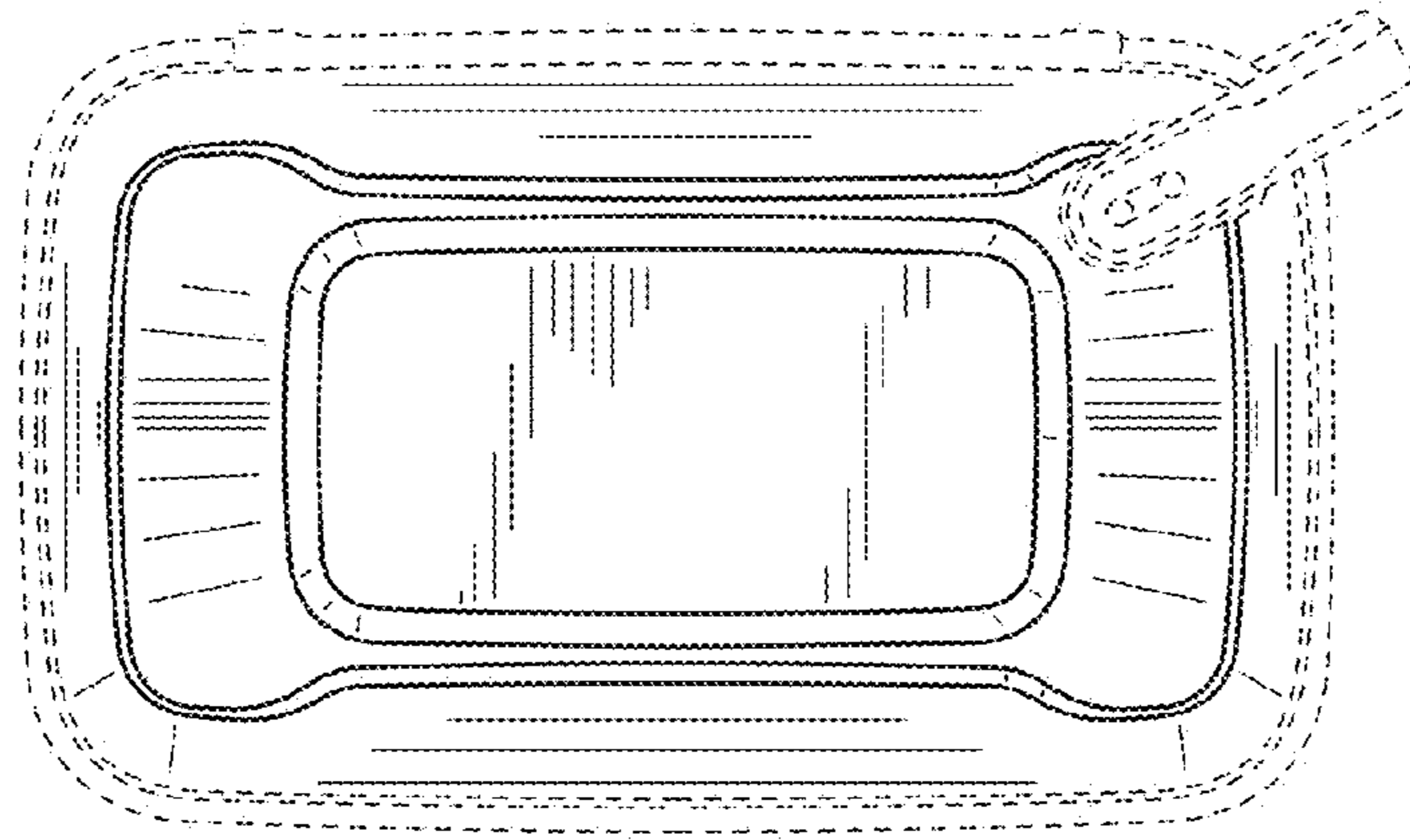


FIG. 6

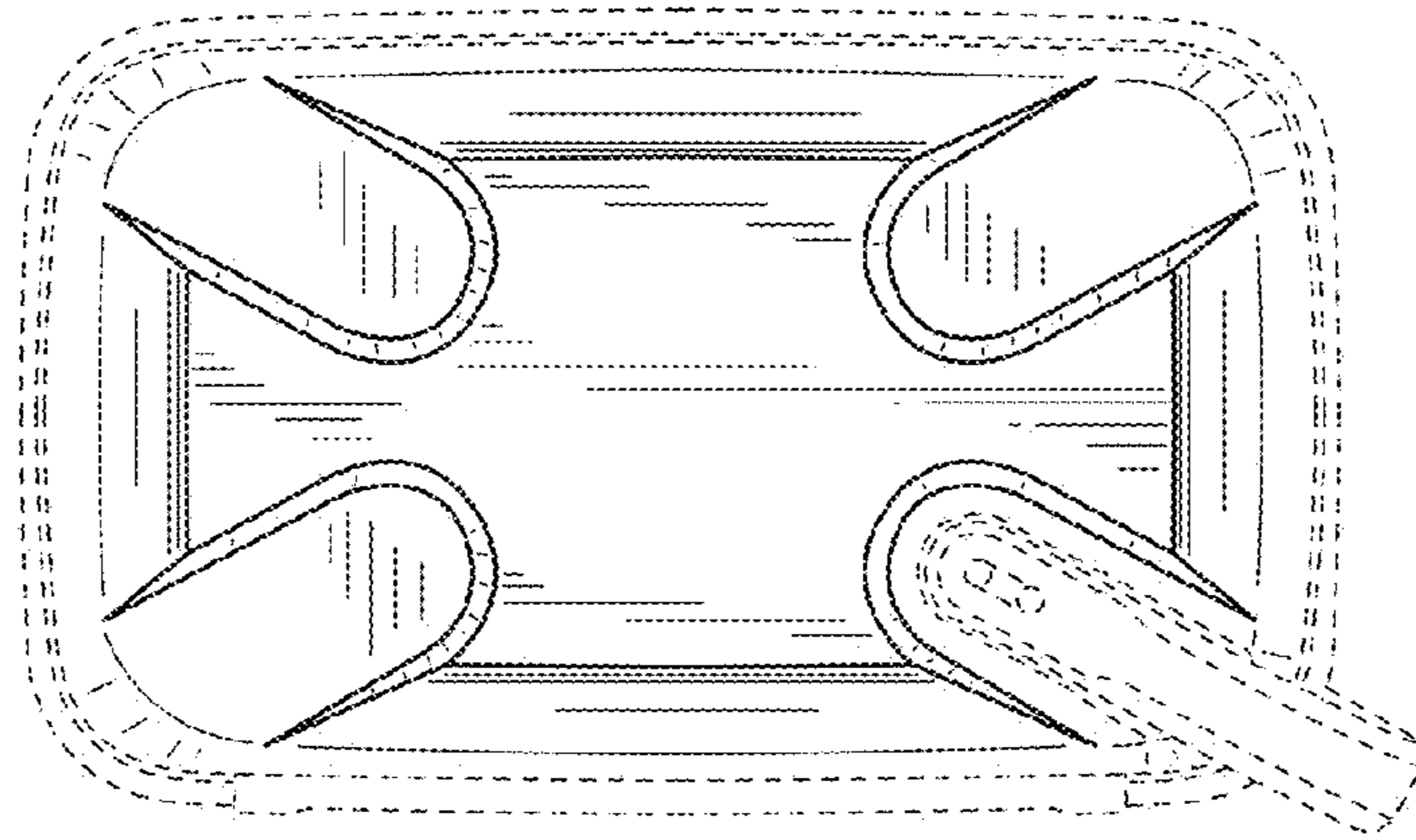


FIG. 7

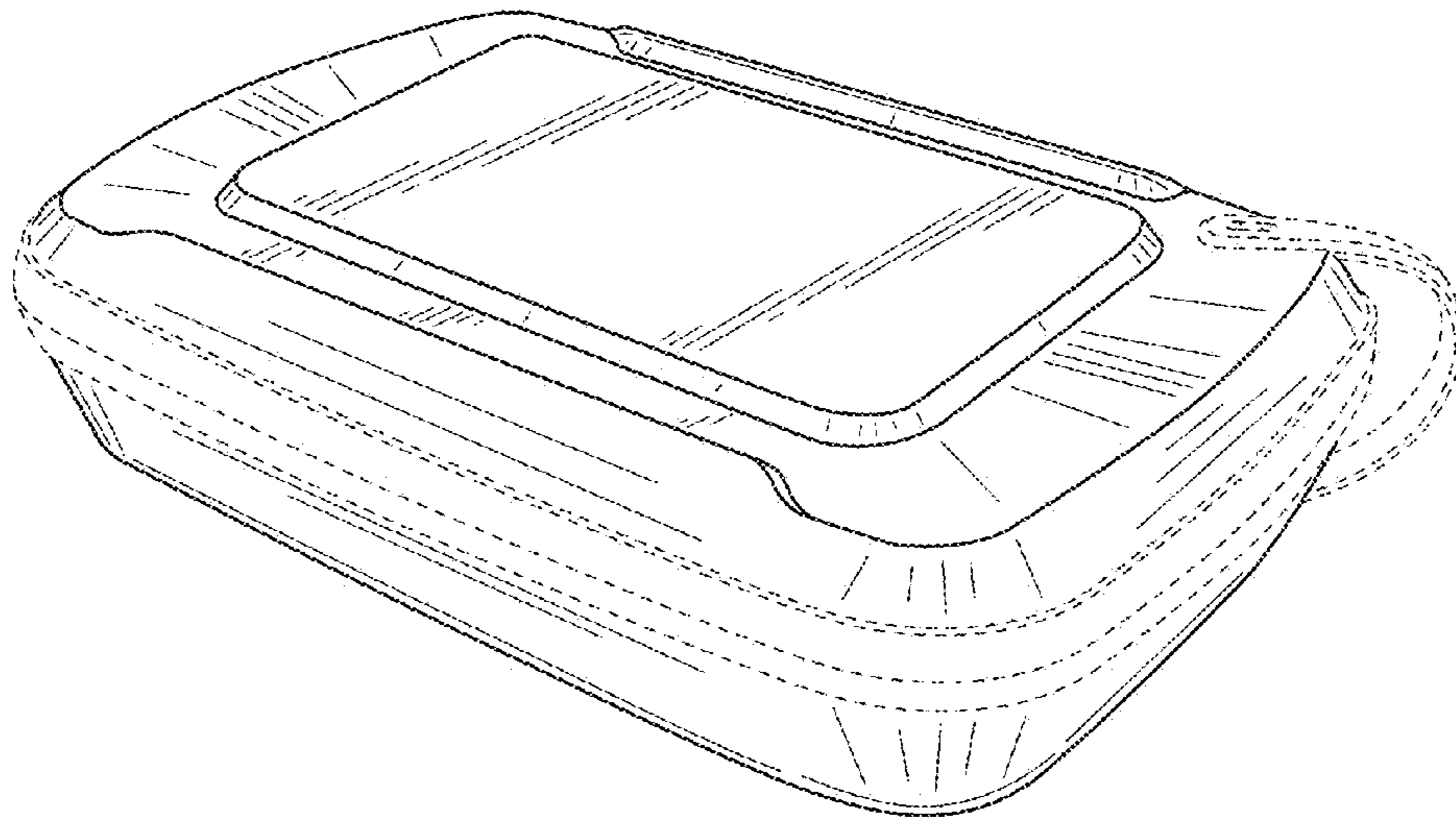


FIG.8

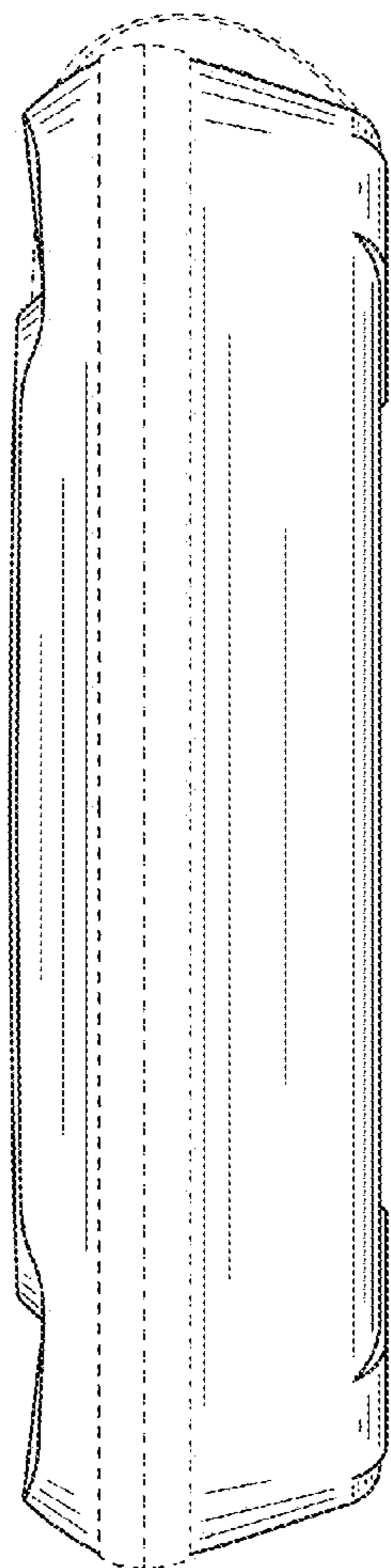


FIG. 9

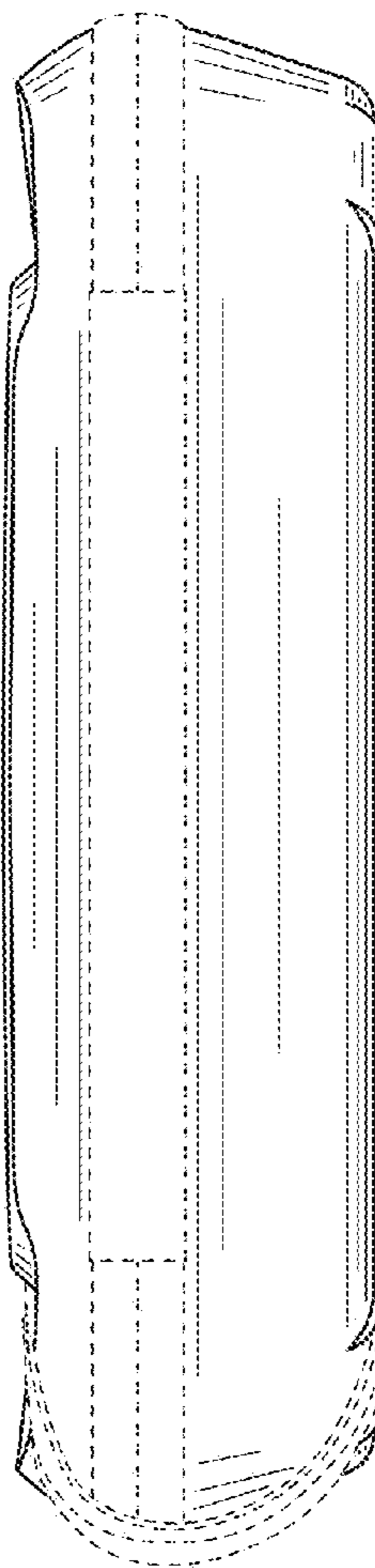


FIG. 10

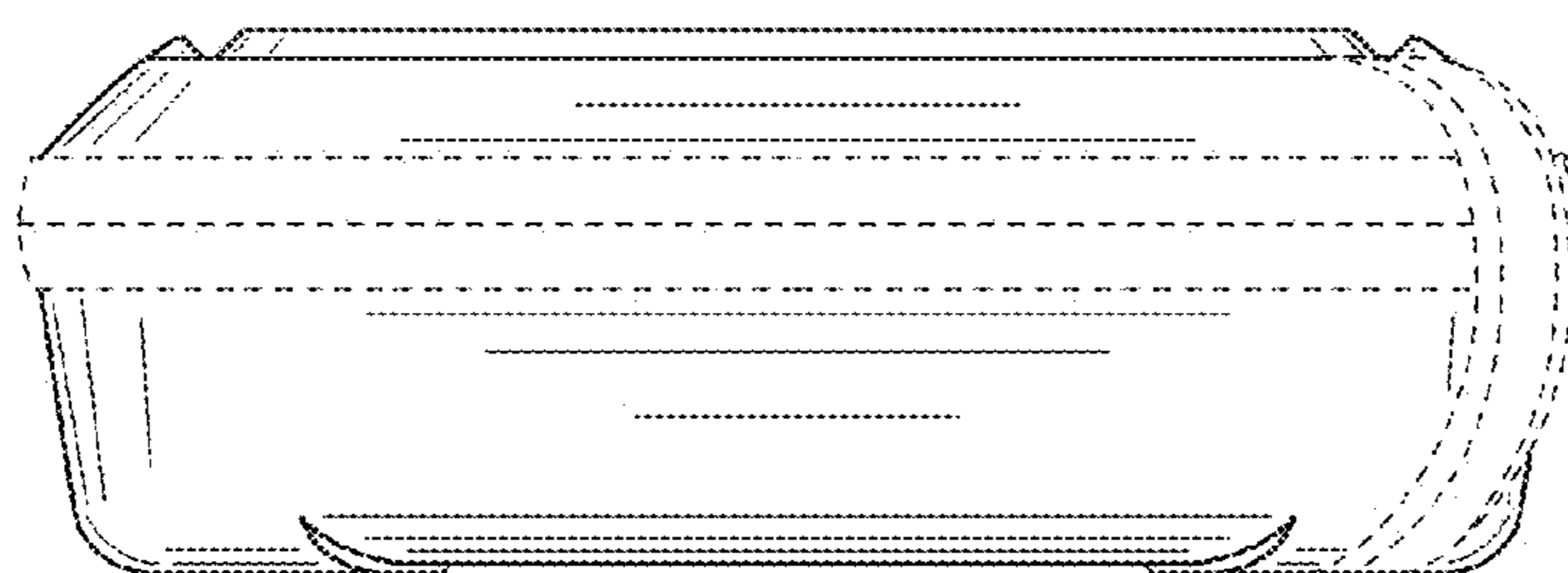


FIG. 11

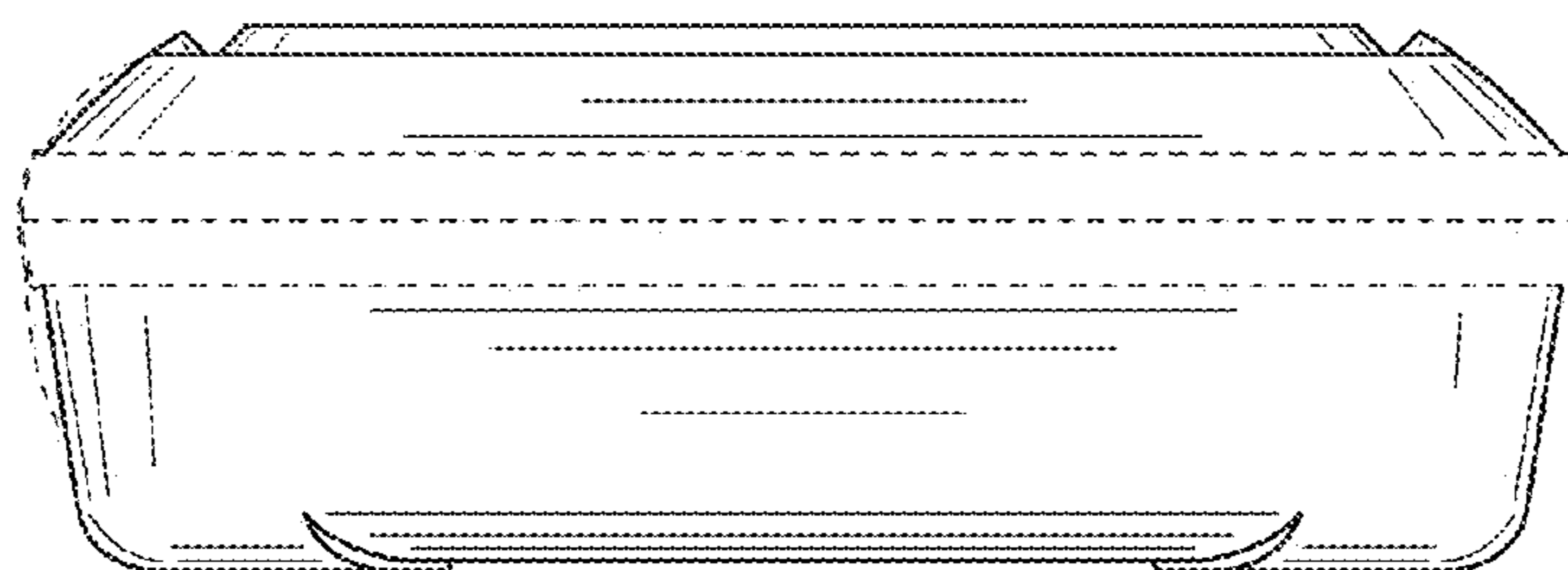


FIG. 12

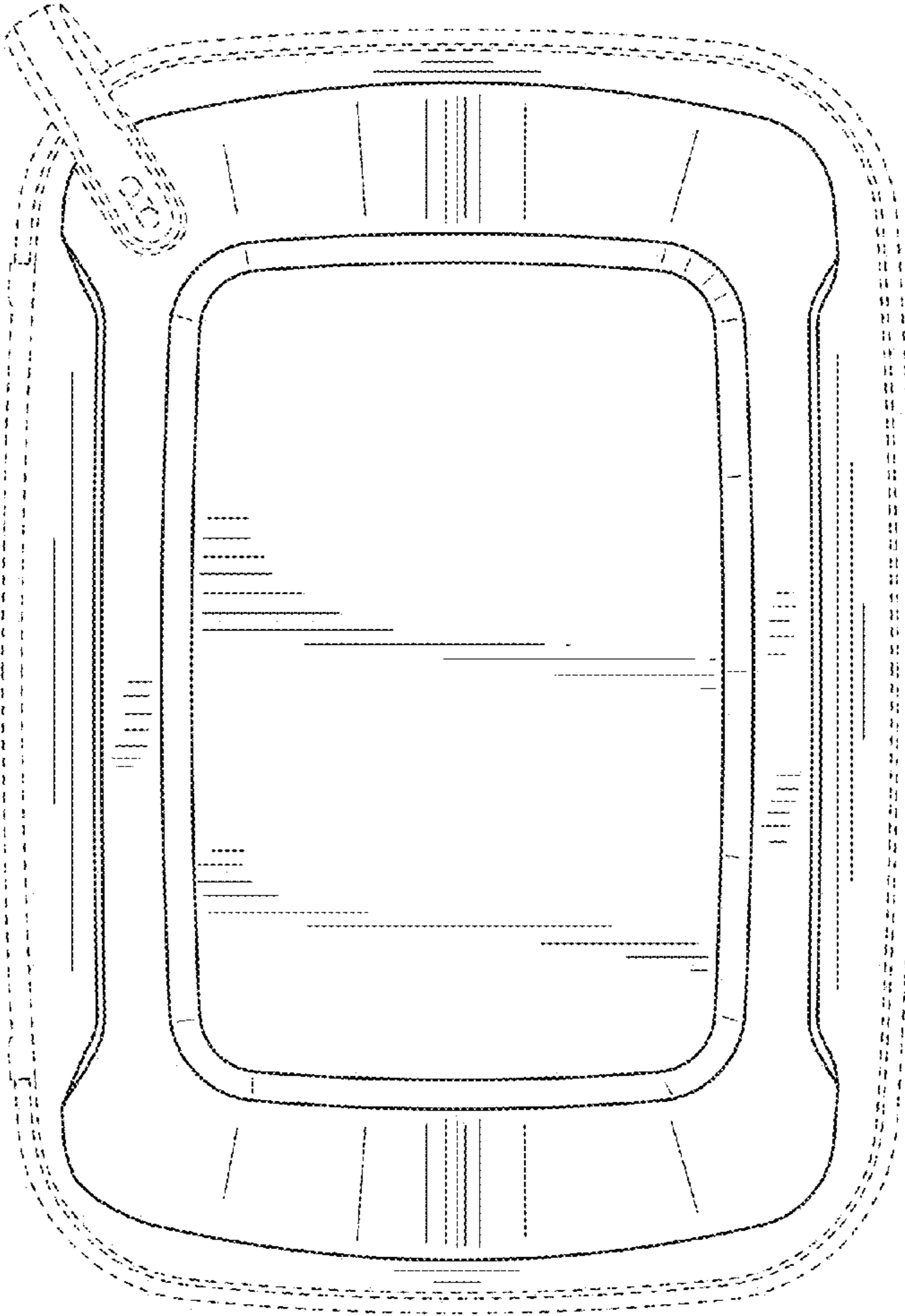


FIG.13

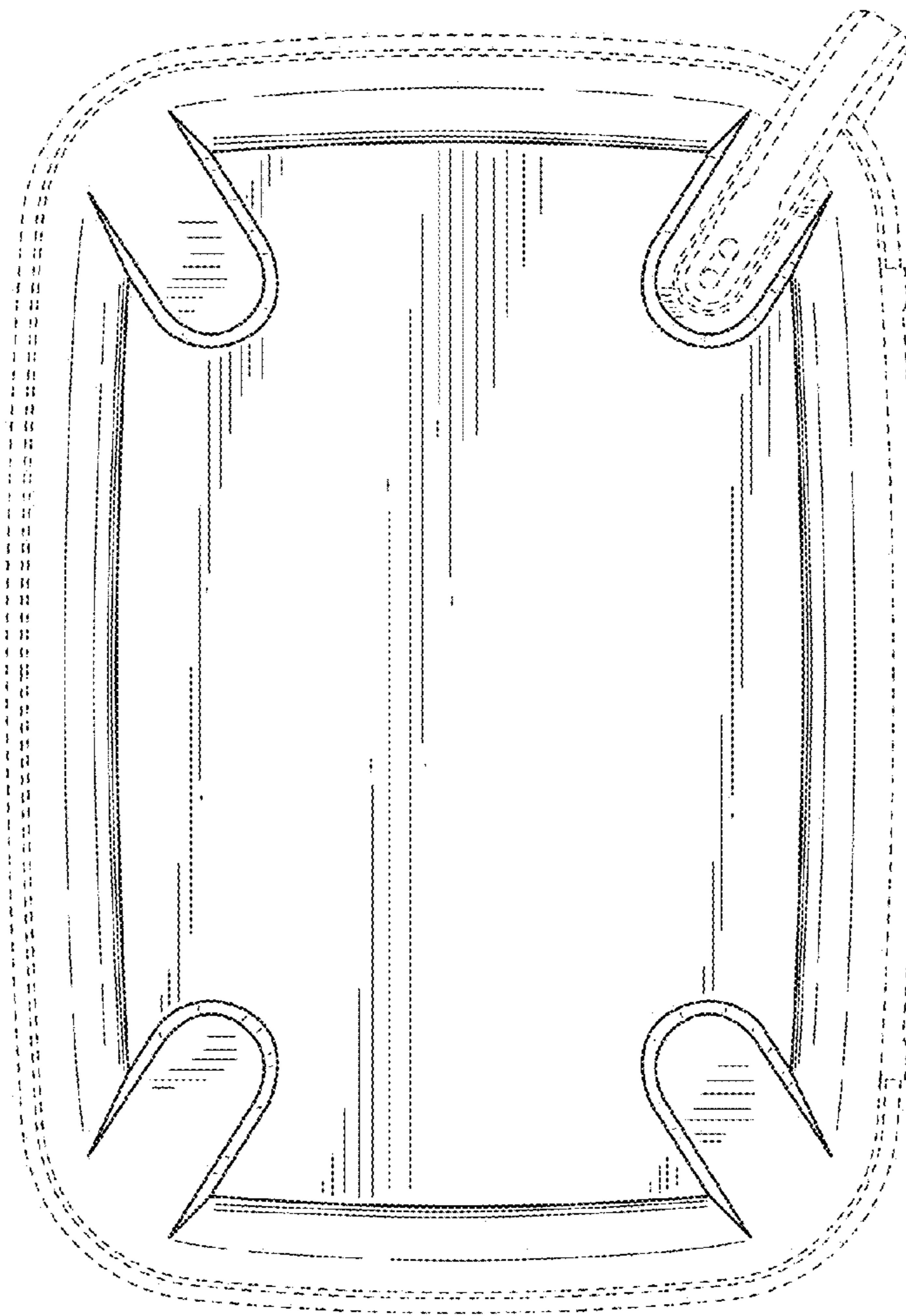


FIG.14