



US00D758062S

(12) **United States Design Patent**
Akin et al.

(10) **Patent No.:** **US D758,062 S**
(45) **Date of Patent:** **** Jun. 7, 2016**

(54) **UMBRELLA WITH SOLAR PANELS**

(71) Applicant: **ZON**, Manhattan Beach, CA (US)

(72) Inventors: **Sarah Akin**, Manhattan Beach, CA (US); **David Johnson**, San Francisco, CA (US)

(73) Assignee: **ZON**, Manhattan Beach, CA (US)

(**) Term: **14 Years**

(21) Appl. No.: **29/484,513**

(22) Filed: **Mar. 10, 2014**

Related U.S. Application Data

(63) Continuation-in-part of application No. 29/467,880, filed on Sep. 24, 2013, now Pat. No. Des. 748,905.

(51) **LOC (10) Cl.** **03-03**

(52) **U.S. Cl.**
USPC **D3/5; D3/10; D13/102**

(58) **Field of Classification Search**
USPC **D3/5, 10; 135/15.1, 33.2, 20.1; 320/101; D13/102**

CPC .. **A45B 23/00; A45B 3/04; A45B 2200/1018; A45B 2200/1027; H02J 7/0047; H02J 7/35**
See application file for complete search history.

(56) **References Cited**

U.S. PATENT DOCUMENTS

- 1,397,789 A * 11/1921 Stonestreet A45B 19/02 135/20.2
- D151,655 S * 11/1948 Preaus D25/57
- D248,042 S * 5/1978 Ouelette D13/102
- 4,193,389 A * 3/1980 Ku F24J 2/07 126/636
- 4,527,721 A * 7/1985 Goldstein A45B 1/02 135/16
- D336,982 S * 7/1993 Johnson D3/5
- D373,465 S * 9/1996 Chipman 135/33.2
- D373,467 S * 9/1996 Chipman 135/33.2

- D373,468 S * 9/1996 Dubinsky D3/5
- D396,741 S * 8/1998 Vitali D3/5
- D443,409 S * 6/2001 Pilz D3/5
- 6,830,058 B2 12/2004 Li
- 6,923,058 B2 8/2005 Nieman et al.
- 7,000,624 B2* 2/2006 Chang A45B 3/04 135/16
- 7,013,903 B2 3/2006 Li
- D530,269 S * 10/2006 Fowler D13/102
- D561,460 S * 2/2008 Peterson D3/5
- 7,562,667 B2 7/2009 Li
- D600,200 S * 9/2009 Dimov D13/102
- D668,443 S 10/2012 Sims, II
- 8,360,079 B2* 1/2013 Li A45B 3/04 135/16
- D680,949 S * 4/2013 Swatek D13/102
- D681,548 S * 5/2013 Zhang D13/102
- D688,621 S * 8/2013 Mozzardi D13/102
- D701,828 S * 4/2014 Garrett-Schesch D13/102
- D701,829 S * 4/2014 Garrett-Schesch D13/102
- 8,695,614 B2* 4/2014 Chaimovski A45B 23/00 135/16

(Continued)

OTHER PUBLICATIONS

Solar Powered Umbrella with USB Ports Product Reference, Apr. 5, 2013, 17 pages.

Primary Examiner — John Windmuller
(74) *Attorney, Agent, or Firm* — Aka Chan LLP

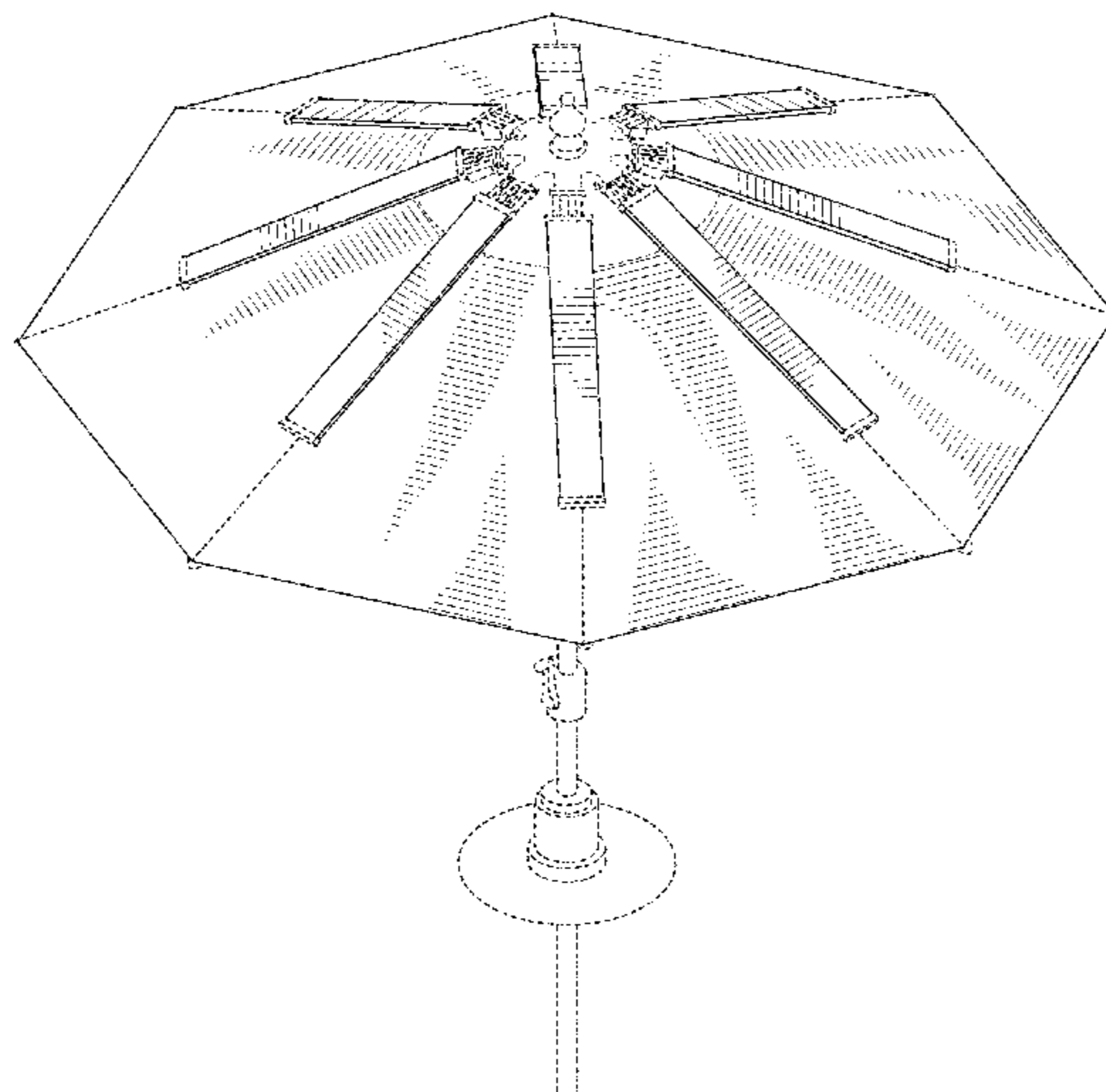
(57) **CLAIM**

The ornamental design for an umbrella with solar panels, as shown and described.

DESCRIPTION

FIG. 1 shows a perspective view of a first embodiment of a design for an umbrella with solar panels.
FIG. 2 shows a top view of FIG. 1; and,
FIG. 3 shows a side view of FIG. 1.
The broken lines in the figures depict portions of the umbrella with solar panels that form no part of the claimed design.

1 Claim, 3 Drawing Sheets



US D758,062 S

Page 2

(56)

References Cited

U.S. PATENT DOCUMENTS

			2005/0161067	A1*	7/2005	Hollins	A45B 23/00
								135/16
			2009/0058354	A1*	3/2009	Harrison	A45B 3/00
								320/101
D724,524	S	*	3/2015	Garrett-Schesch	D13/102		
D728,466	S	*	5/2015	Ehsam	D13/102		
9,088,181	B2	*	7/2015	Akin	H02J 7/35		

* cited by examiner

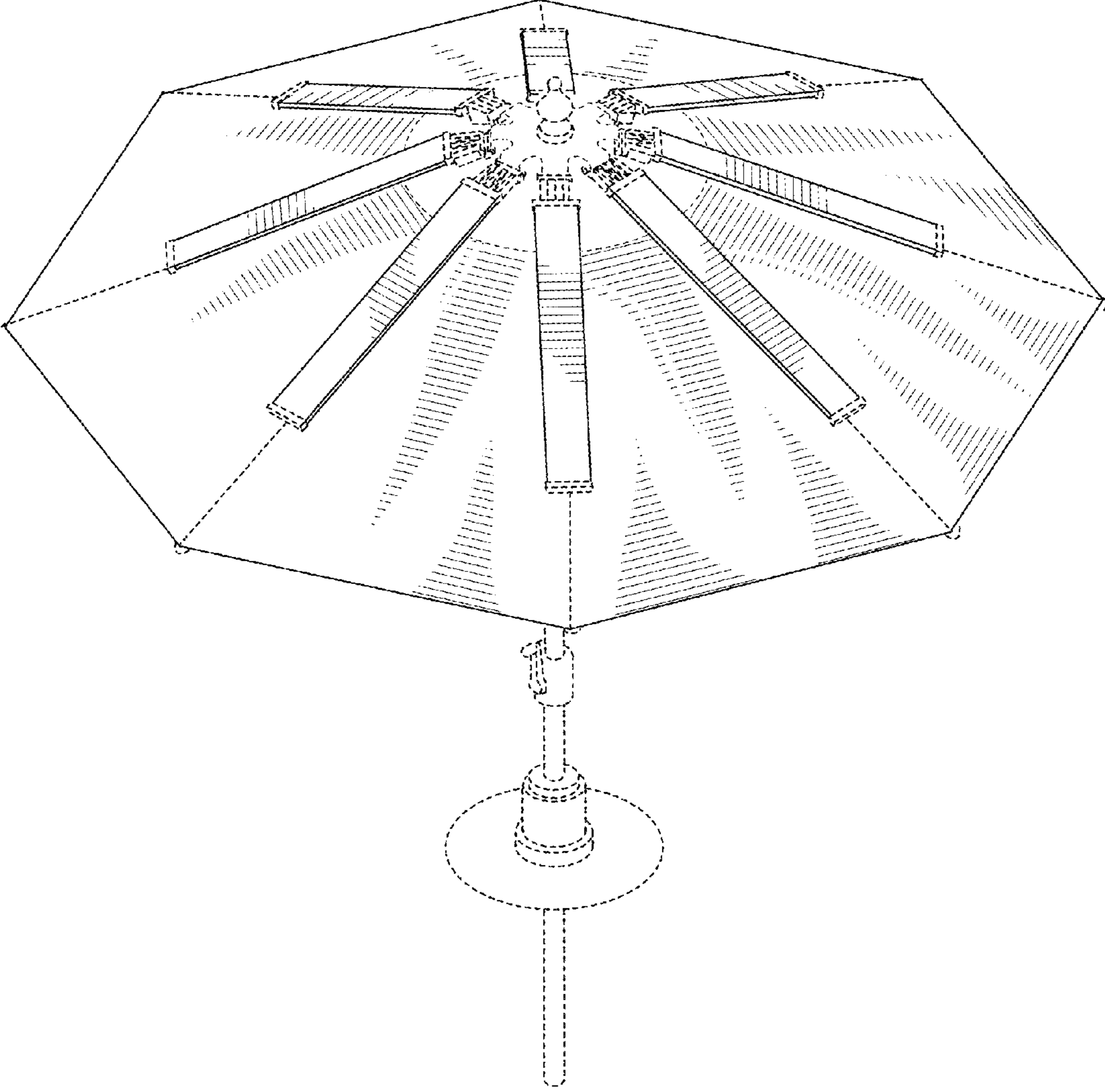


FIG. 1

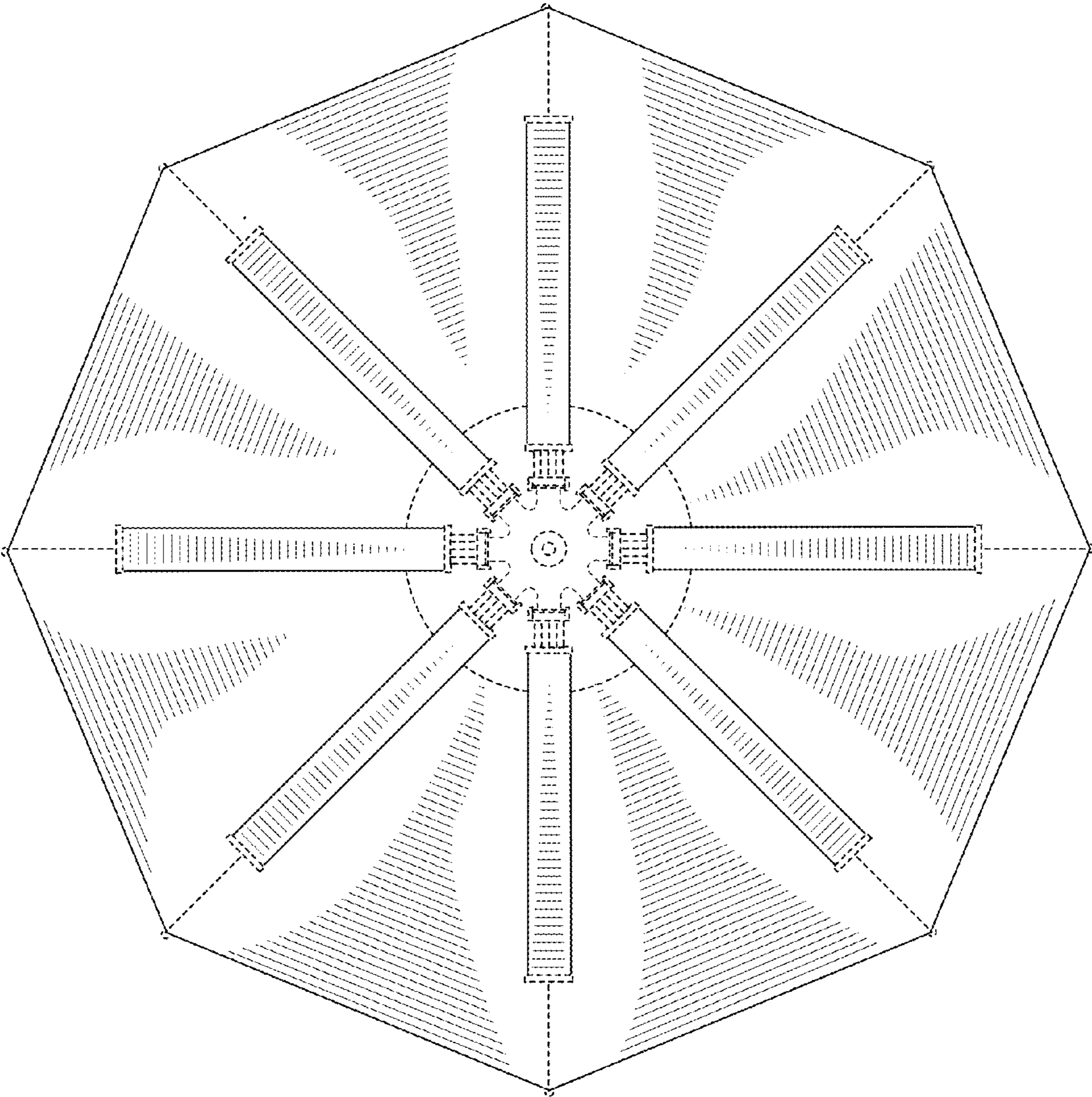


FIG. 2

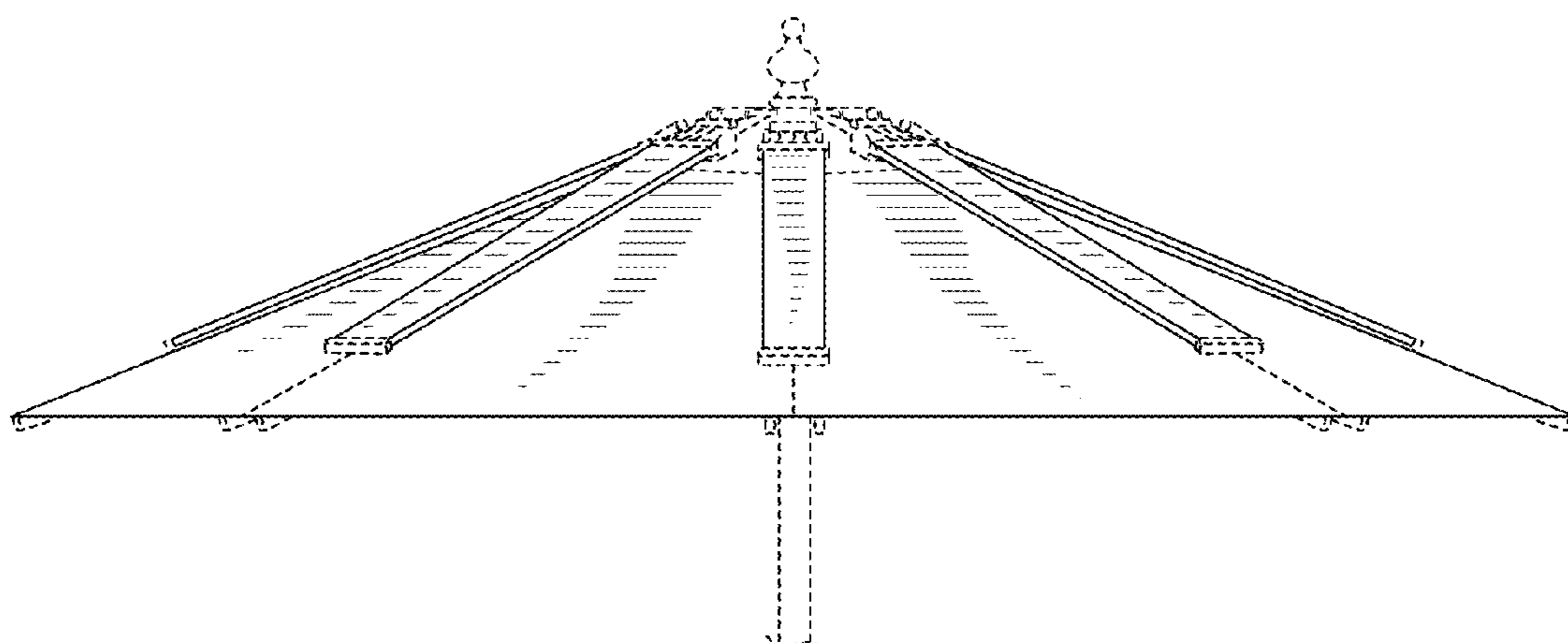


FIG. 3