



US00D758038S

(12) **United States Design Patent**  
**Doane et al.**

(10) **Patent No.:** **US D758,038 S**  
(45) **Date of Patent:** **\*\* May 31, 2016**

- (54) **GOLF CADDY**
- (71) Applicant: **Lemmings LLC**, Marietta, SC (US)
- (72) Inventors: **Dennis W. Doane**, Marietta, SC (US);  
**Rick M. Doane**, Marietta, SC (US);  
**Timothy L. Doane**, Marietta, SC (US)
- (73) Assignee: **Lemmings LLC**, Marietta, SC (US)
- (\*\*) Term: **14 Years**
- (21) Appl. No.: **29/499,022**
- (22) Filed: **Aug. 11, 2014**
- (51) **LOC (10) Cl.** ..... **12-13**
- (52) **U.S. Cl.**  
USPC ..... **D34/15**
- (58) **Field of Classification Search**  
USPC ..... D34/15, 18; 280/DIG. 5, DIG. 6; D12/1,  
D12/12, 85, 14-16; 180/210, 65.1, 216, 6.5,  
180/208  
CPC .. A63B 2210/50; A63B 55/08; A63B 55/087;  
A63B 2055/083; A63B 2055/081; A63B  
2047/046; A63B 2225/54; B62B 5/004;  
B62B 5/0033  
See application file for complete search history.

- 5,836,412 A \* 11/1998 Lyles ..... B01D 46/0039  
180/65.1
- 5,950,751 A \* 9/1999 McComber ..... B60K 1/00  
180/215
- D422,938 S \* 4/2000 Molzon ..... D12/1
- D438,682 S \* 3/2001 Furuta ..... D34/12
- D511,715 S \* 11/2005 Hohnl ..... D12/14
- D573,771 S \* 7/2008 Ball ..... D34/15
- D586,694 S \* 2/2009 Huang ..... D12/14
- D596,365 S \* 7/2009 Reimers ..... D34/15
- 7,654,424 B1 \* 2/2010 Kramp ..... B60R 9/02  
180/210
- D640,595 S \* 6/2011 Zhang ..... D12/1
- D646,200 S \* 10/2011 Zhang ..... D12/1
- D704,410 S \* 5/2014 Reimers ..... D34/15

\* cited by examiner

*Primary Examiner* — Cynthia Ramirez

*Assistant Examiner* — Gino Colan

(74) *Attorney, Agent, or Firm* — Fay Sharpe LLP

(57) **CLAIM**

The ornamental design for a golf caddy, as shown and described.

**DESCRIPTION**

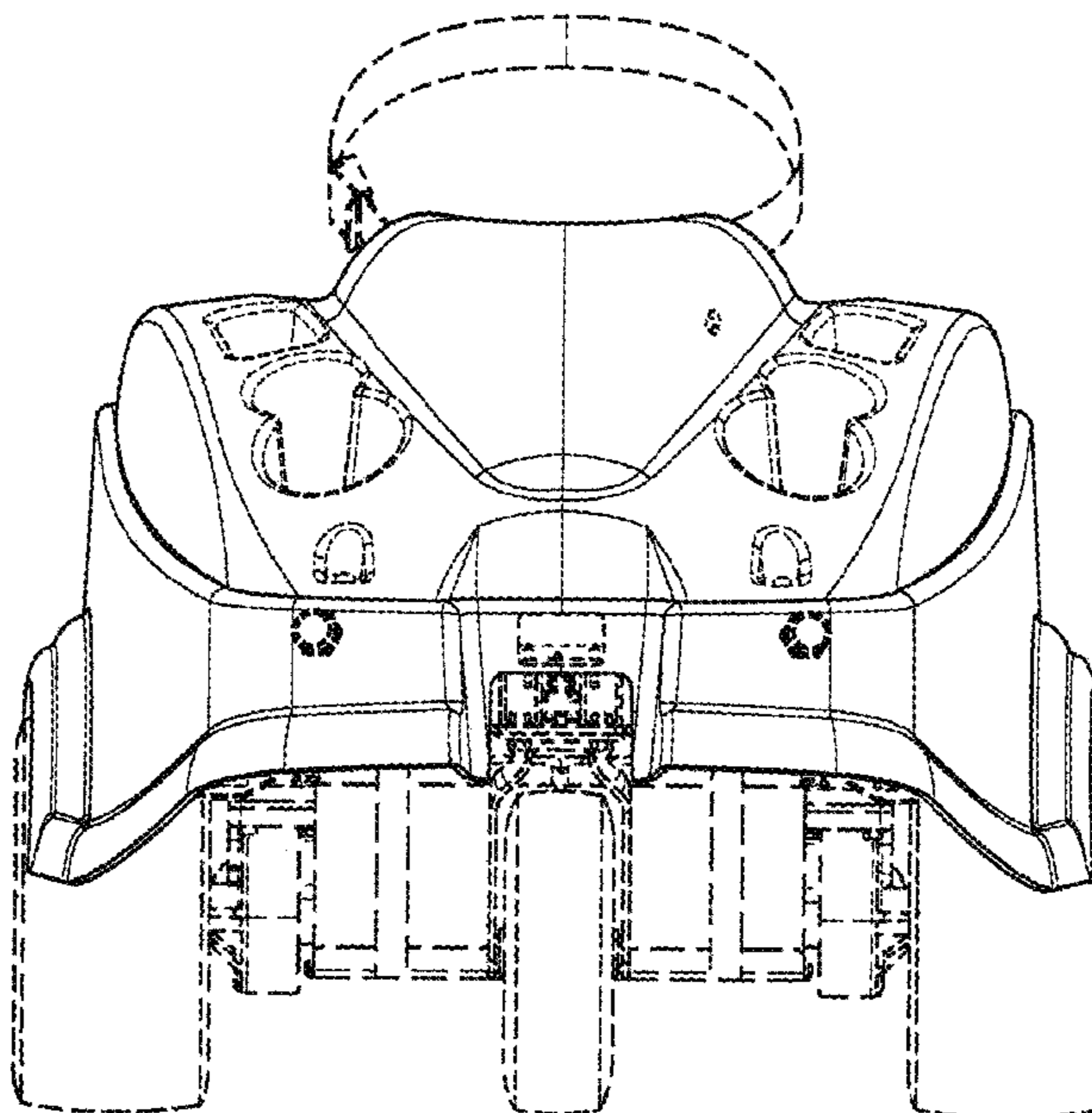
FIG. 1 is a front elevation view of a golf caddy showing my new design;  
FIG. 2 is a right side view of the golf caddy of FIG. 1;  
FIG. 3 is a left side view of the golf caddy of FIG. 1;  
FIG. 4 is a back view of the golf caddy of FIG. 1; and,  
FIG. 5 is a top plan view of the golf caddy of FIG. 1.  
The broken lines shown in the figures are included for the purpose of illustrating portions of the golf caddy and form no part of the claimed design.

**1 Claim, 5 Drawing Sheets**

(56) **References Cited**

U.S. PATENT DOCUMENTS

- D214,313 S \* 6/1969 Gardner ..... D34/15
- 5,154,251 A \* 10/1992 Fought ..... B62D 61/08  
180/208
- 5,341,894 A \* 8/1994 Van Gorder, Jr. .... B60K 28/10  
180/271
- D373,667 S \* 9/1996 Hunsaker ..... D34/15



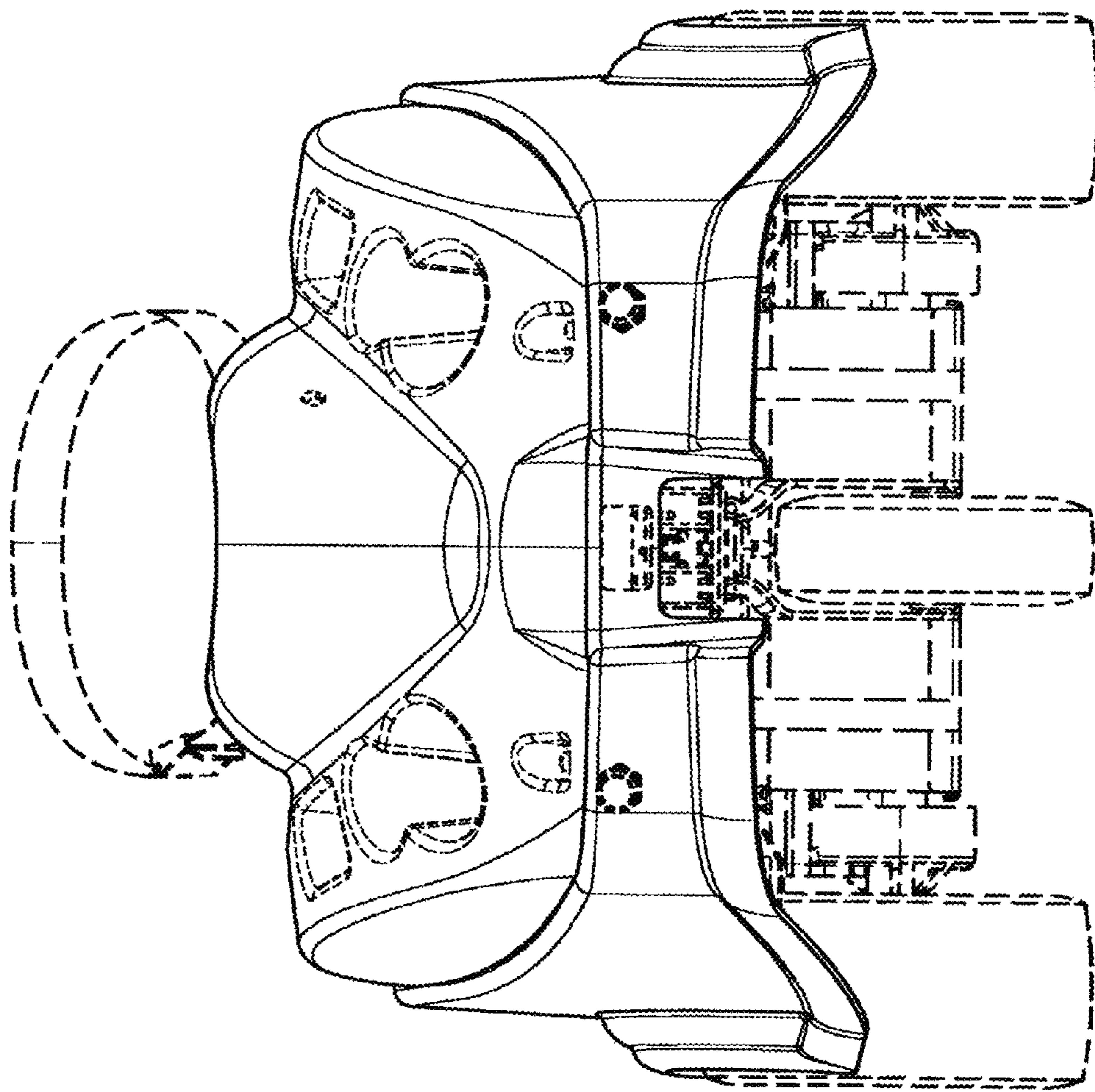


Figure 1

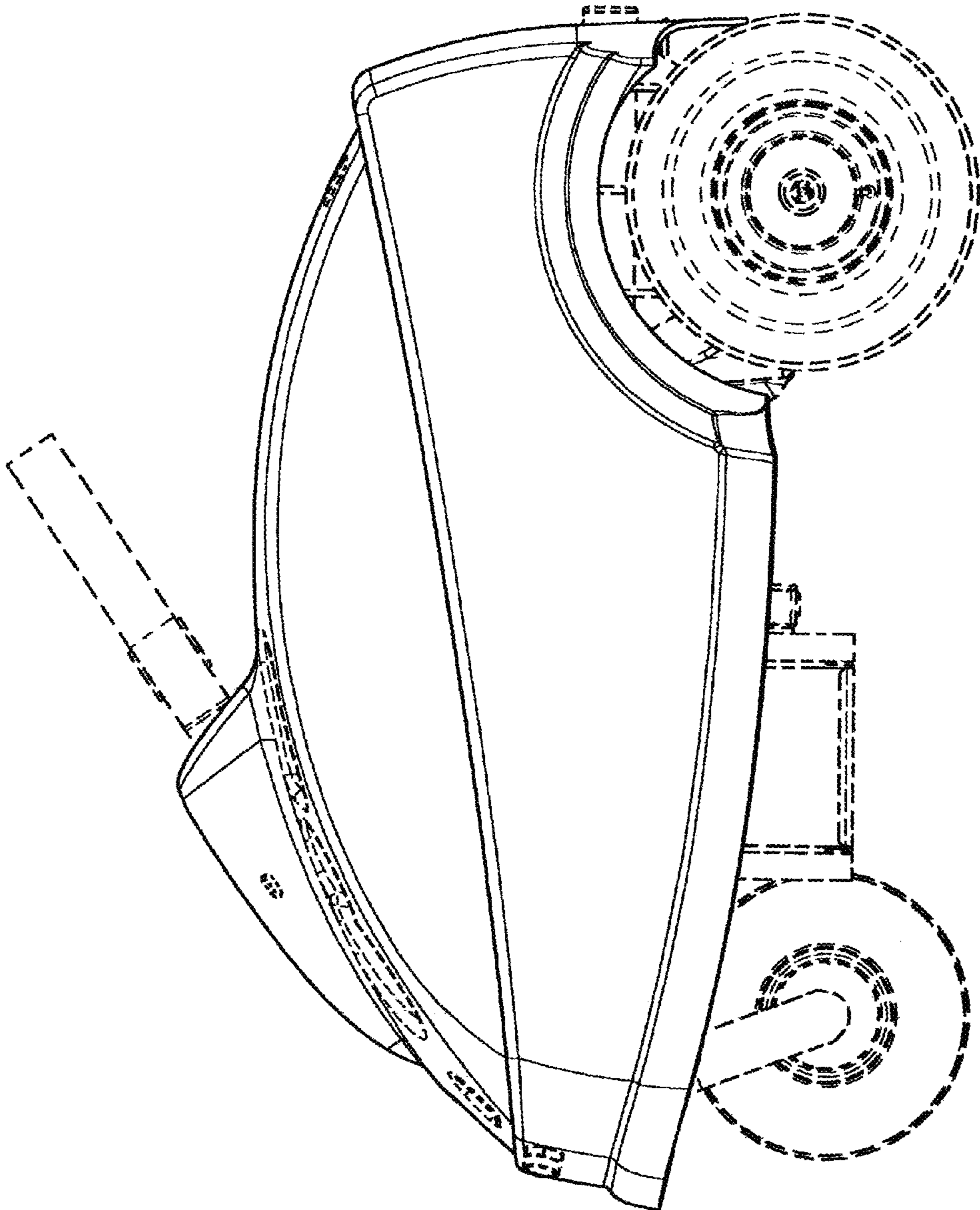


Figure 2



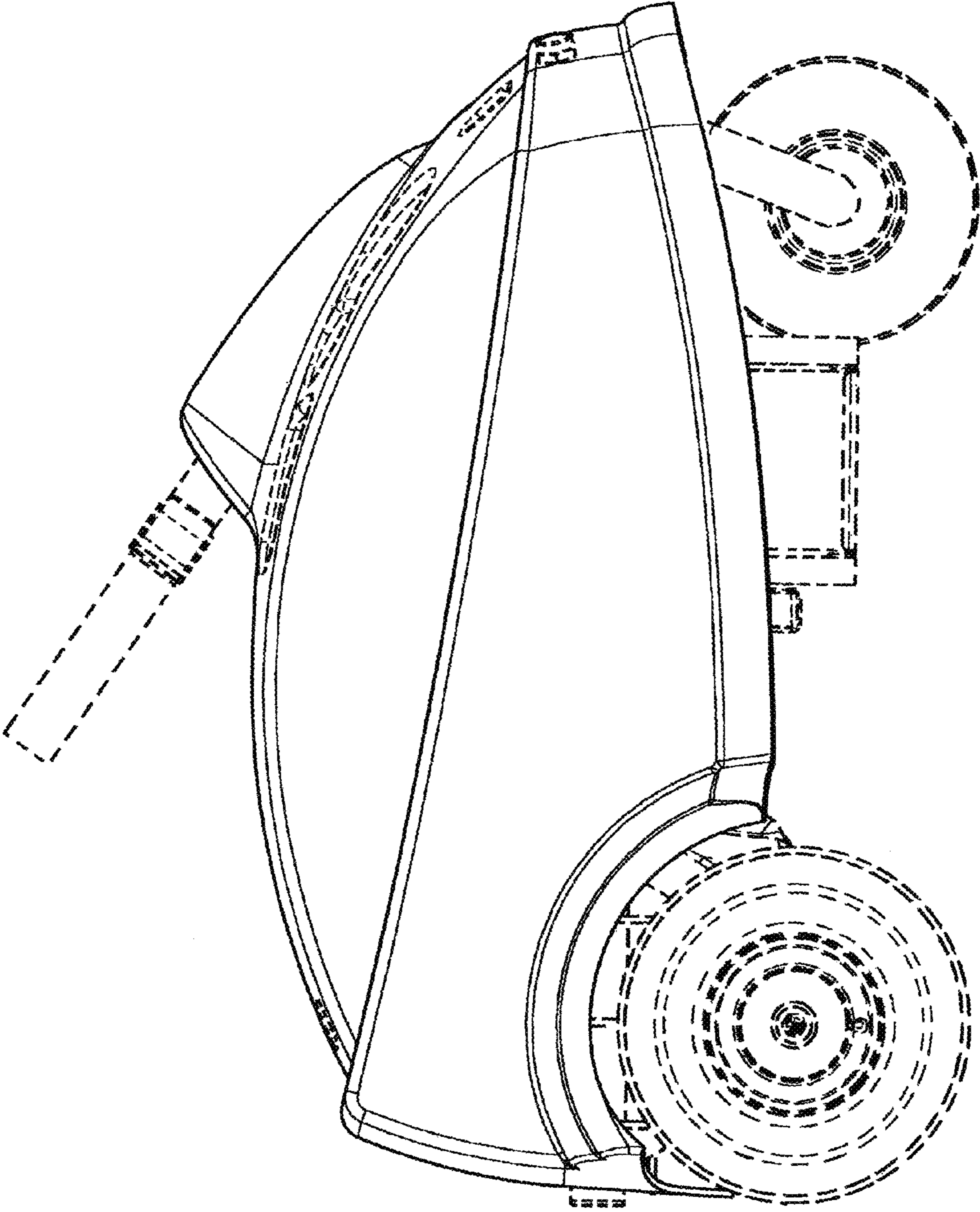


Figure 3

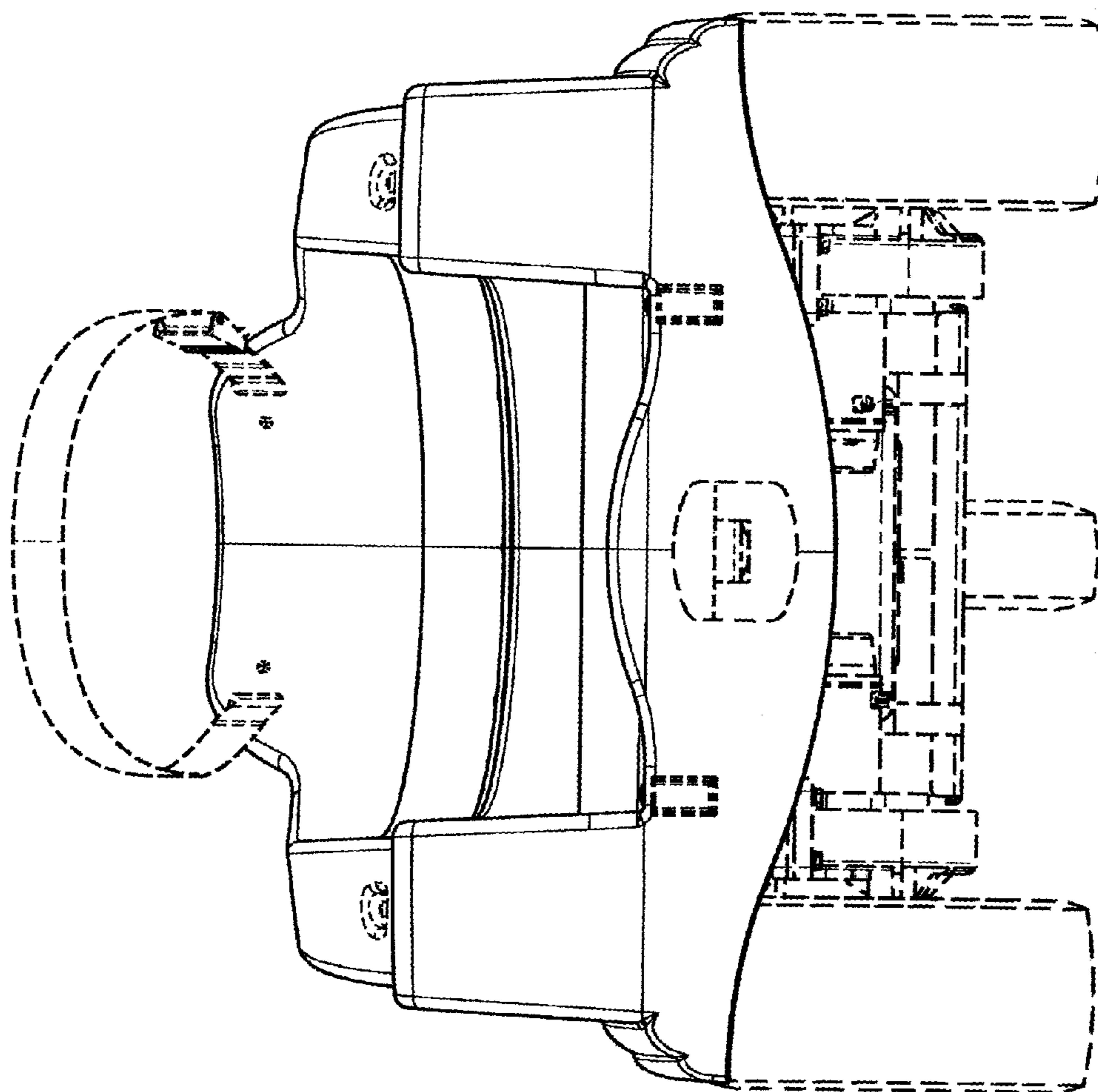


Figure 4

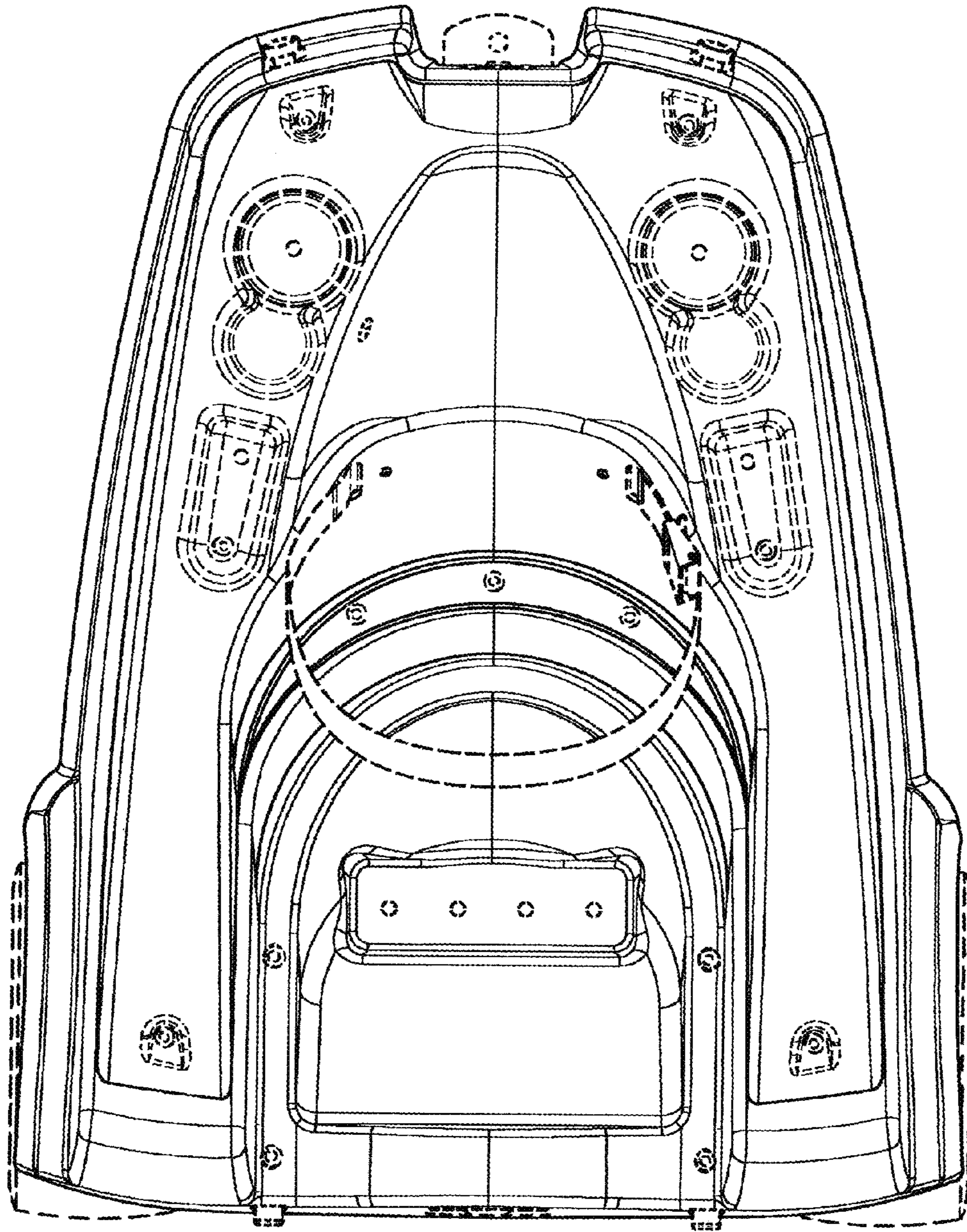


Figure 5